



US00D683279S

(12) **United States Design Patent**
Borkholder

(10) **Patent No.:** **US D683,279 S**

(45) **Date of Patent:** **** May 28, 2013**

(54) **ALL IN ONE ADJUSTABLE RECEIVER
HITCH**

(76) **Inventor:** **Carl Joe Borkholder**, Bremen, IN (US)

(**) **Term:** **14 Years**

(21) **Appl. No.:** **29/432,022**

(22) **Filed:** **Sep. 12, 2012**

(51) **LOC (9) Cl.** **12-16**

(52) **U.S. Cl.**
USPC **D12/162**

(58) **Field of Classification Search**

USPC D12/162, 159, 160, 161; 56/DIG. 14;
37/399; 280/406.2, 407, 407.1, 408, 411.1,
280/416.1, 416.2, 416.3, 418, 418.1, 433,
280/434, 435, 441.1, 441.2, 455.1, 456.1,
280/480, 493, 504, 507, 508; 224/42.11,
224/42.12, 401, 412, 413, 488, 494, 500-501,
224/519, 537; 135/88.05; 150/166

See application file for complete search history.

(56) **References Cited**

U.S. PATENT DOCUMENTS

3,782,761 A * 1/1974 Cardin, Sr. 280/507
D326,834 S * 6/1992 Kuhlemeier et al. D12/162
D576,085 S * 9/2008 Devlin D12/162
7,455,313 B2 * 11/2008 Yokosh et al. 280/507
D591,208 S * 4/2009 Wubker, Jr. D12/162

D612,775 S * 3/2010 Davis D12/162
D620,403 S * 7/2010 Blankenship et al. D12/162
D628,128 S * 11/2010 Sanders et al. D12/162
2012/0049484 A1 * 3/2012 Brass 280/507

* cited by examiner

Primary Examiner — Katrina A Betton

(74) *Attorney, Agent, or Firm* — QuickPatents; Kevin Prince

(57) **CLAIM**

I claim the ornamental design for an all in one adjustable receiver hitch, as shown and described.

DESCRIPTION

FIG. 1 is a front perspective view of an all in one adjustable receiver hitch, showing my new design with a cover in a lowered position;

FIG. 2 is a rear perspective view thereof, illustrated with the cover in a raised position;

FIG. 3 is a right-side elevational view of FIG. 1;

FIG. 4 is a left-side elevational view of FIG. 1;

FIG. 5 is a rear elevational view of FIG. 1;

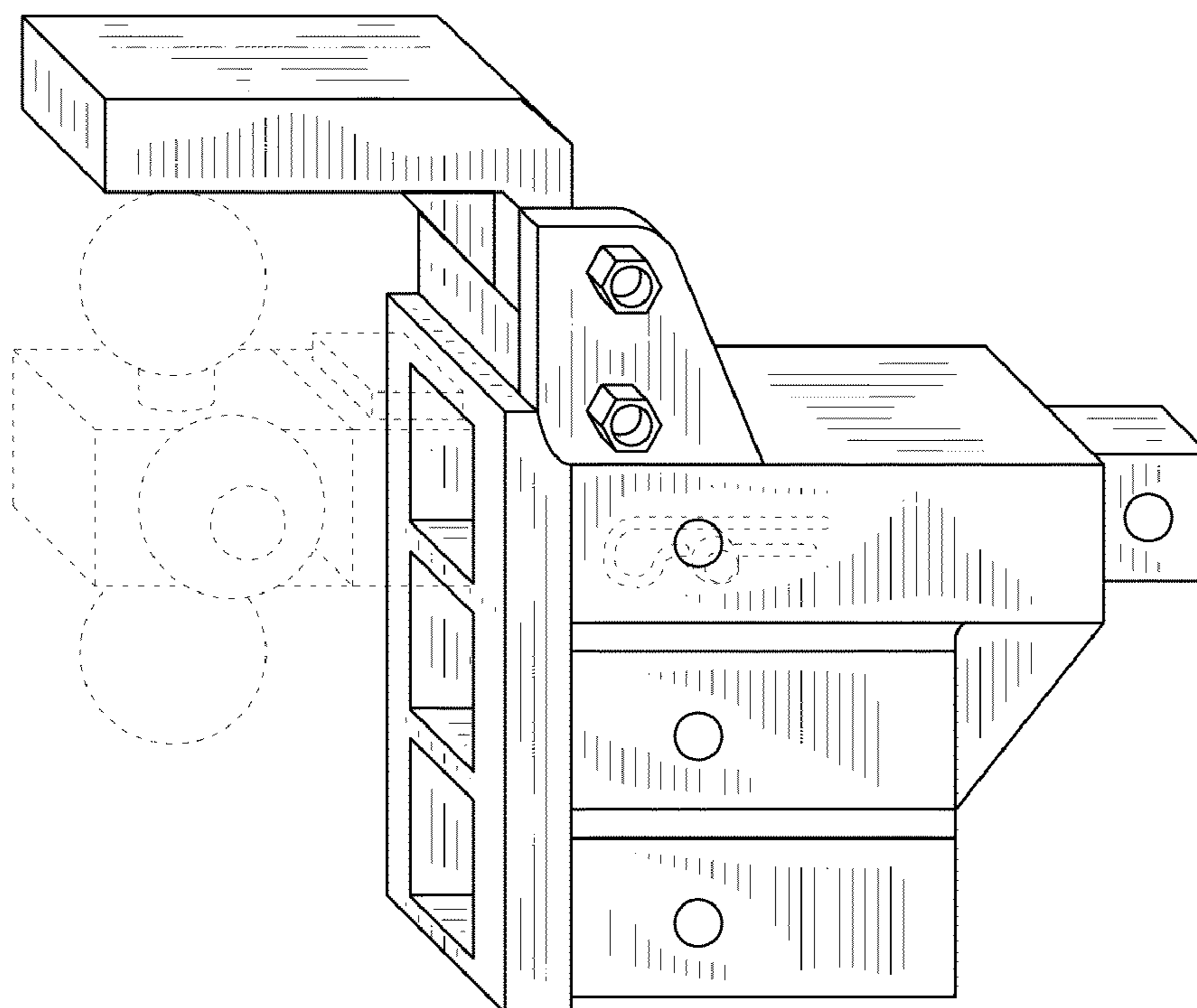
FIG. 6 is a front elevational view of FIG. 1;

FIG. 7 is a top plan view of FIG. 1; and,

FIG. 8 is a bottom plan view of FIG. 1.

The broken lines showing a hitch ball assembly in FIGS. 1 and 2 depict environmental matter and form no part of the claimed design.

1 Claim, 3 Drawing Sheets



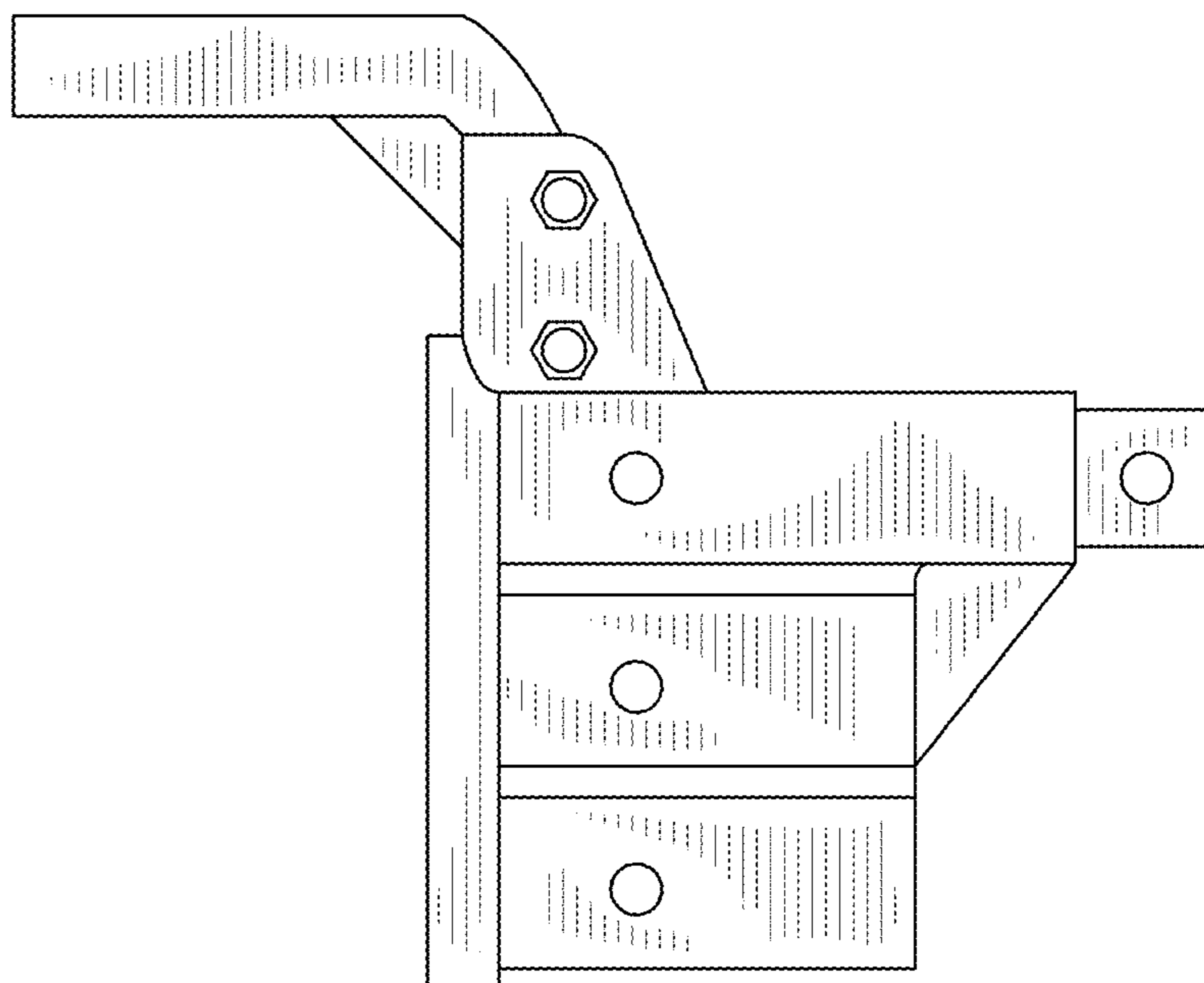


FIG. 3

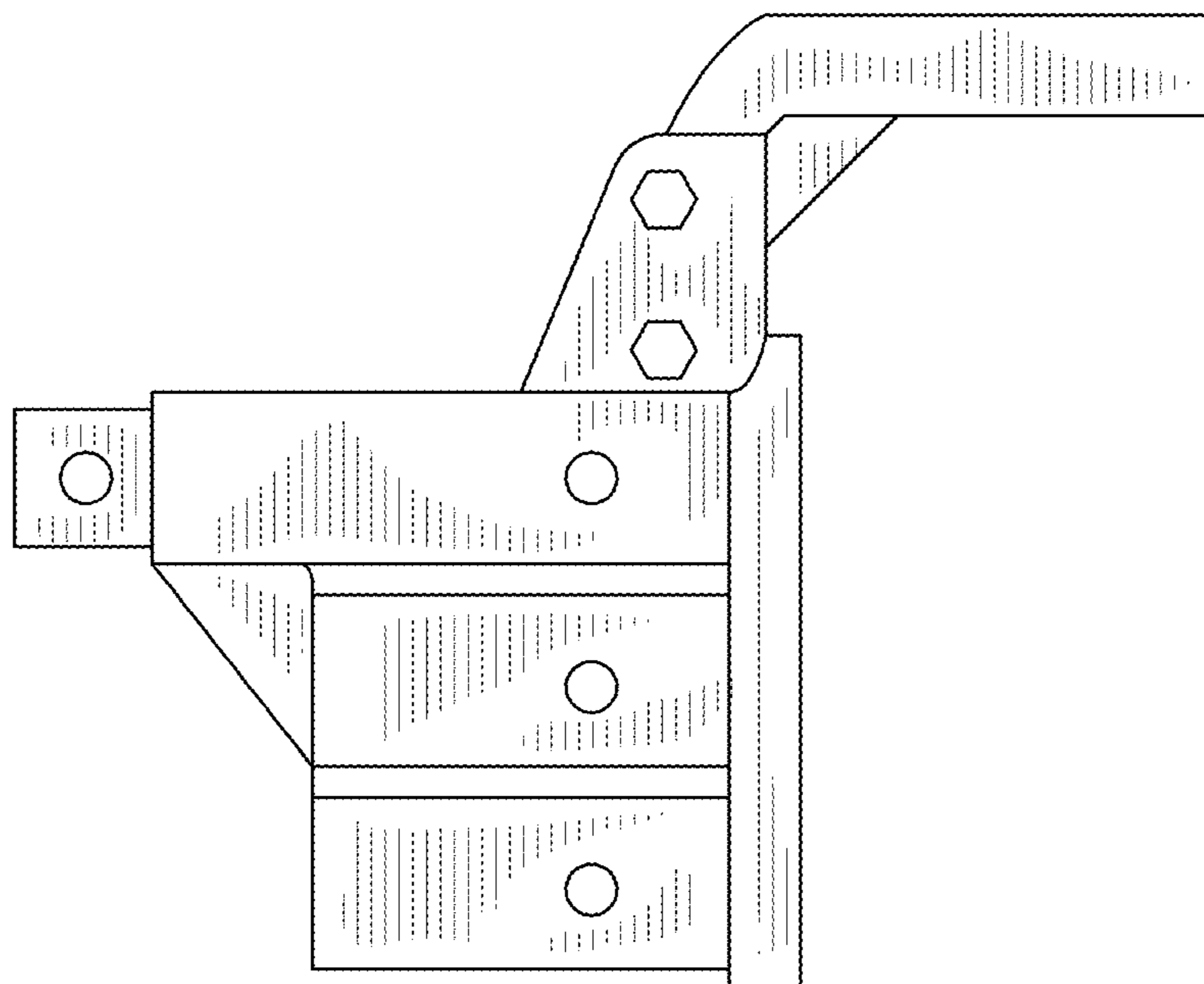


FIG. 4

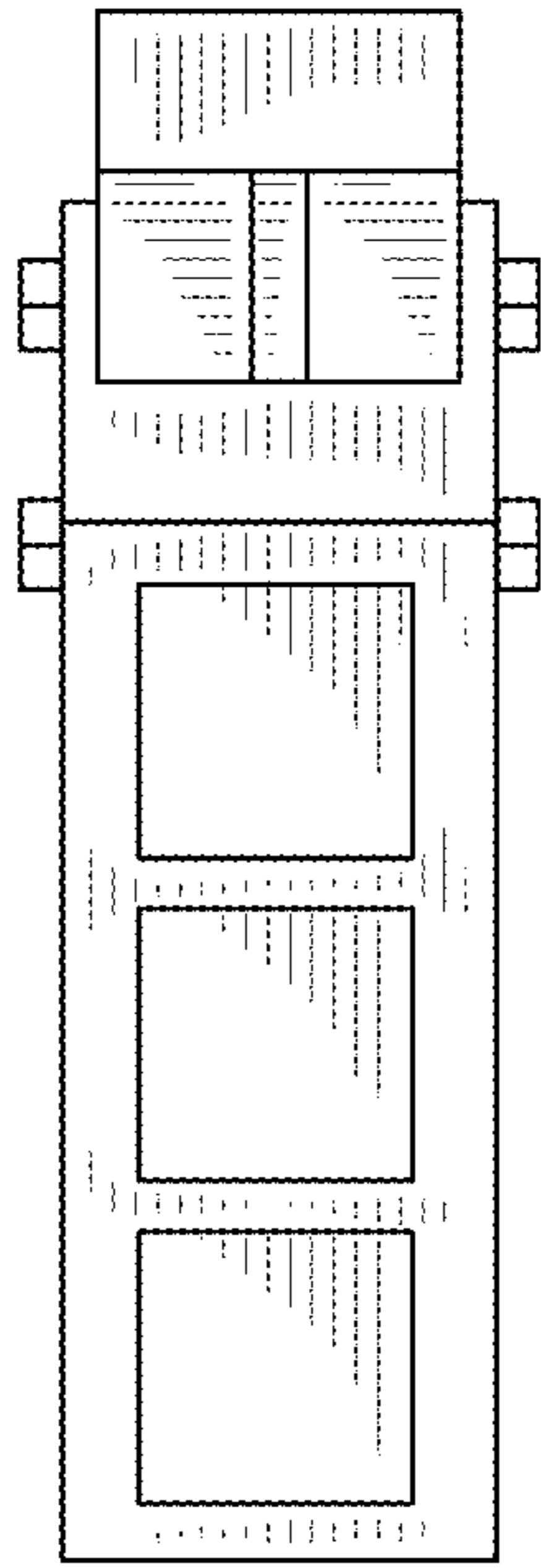


FIG. 5

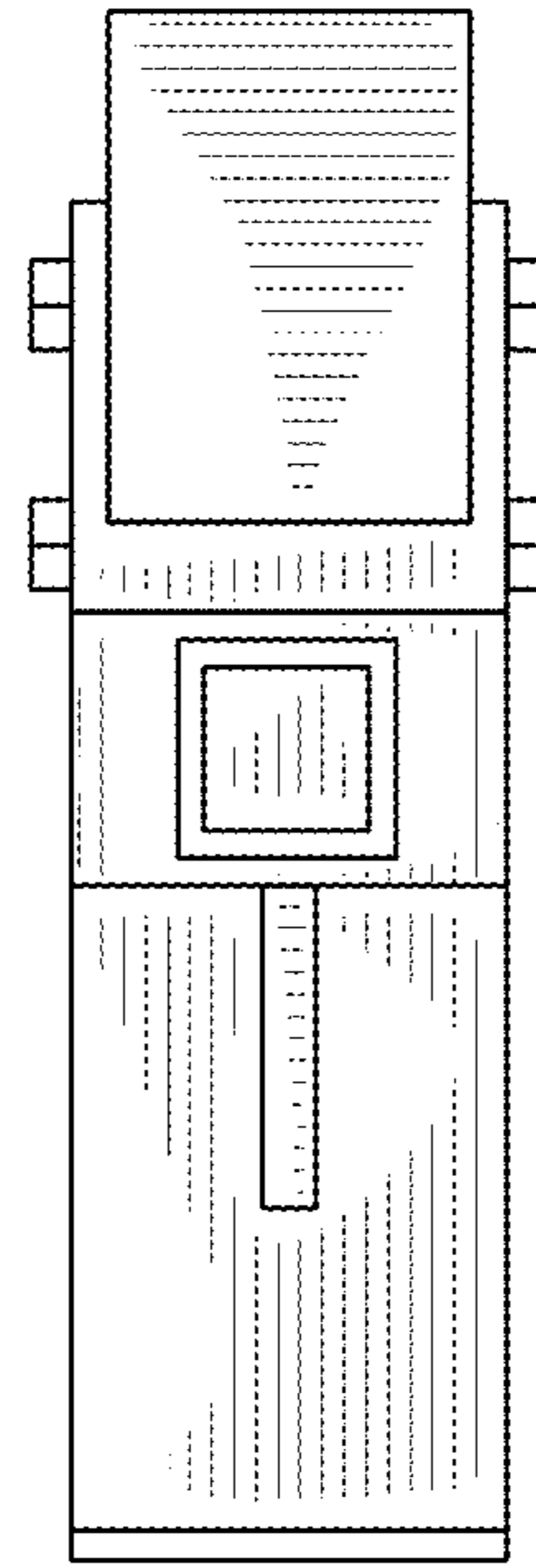


FIG. 6

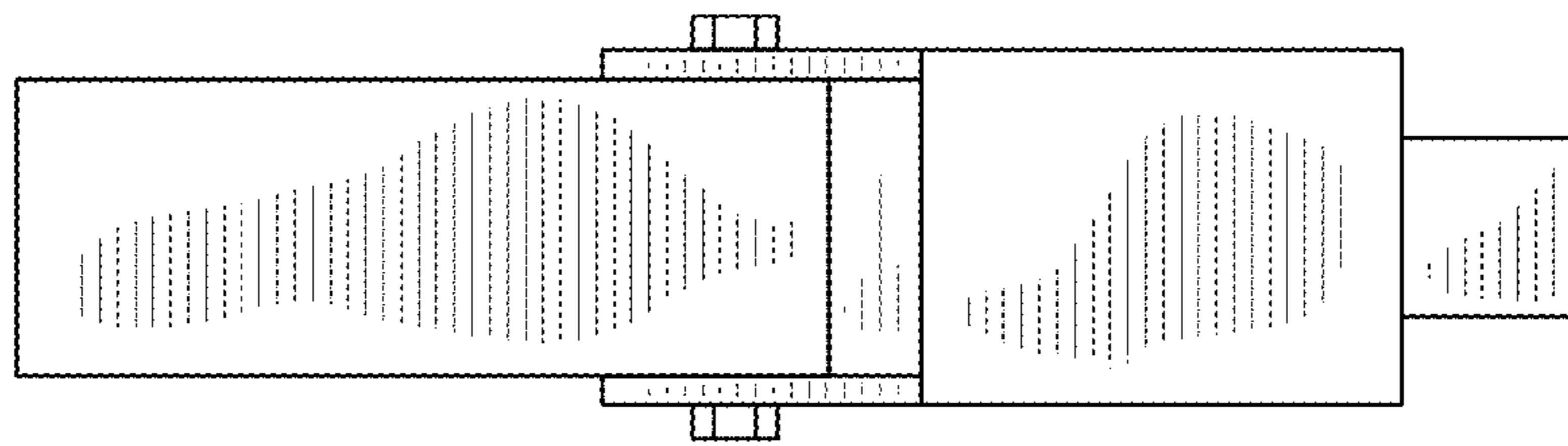


FIG. 7

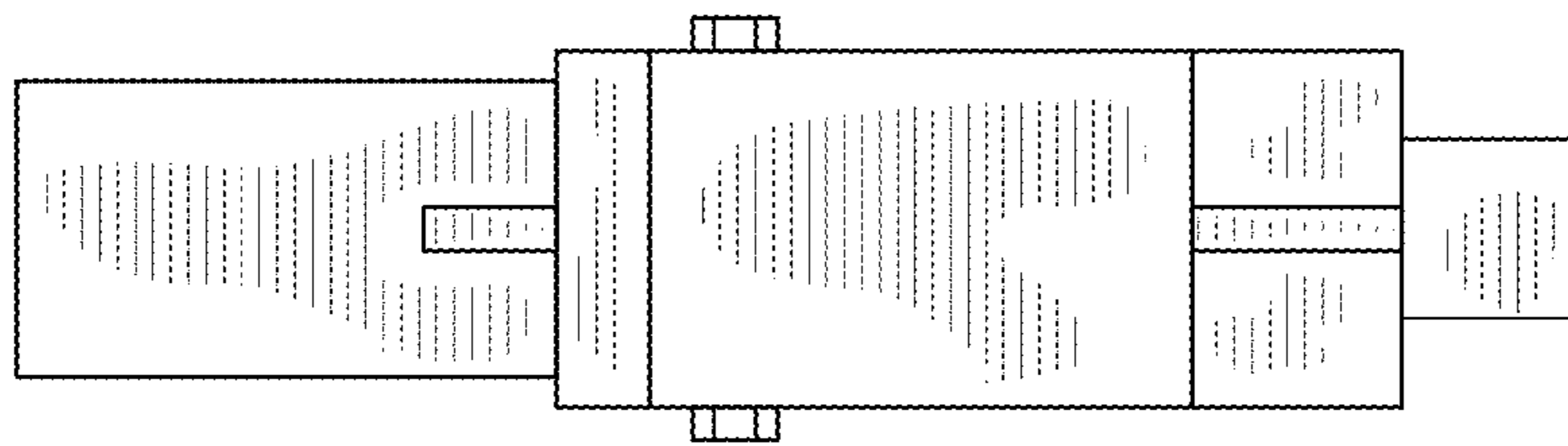


FIG. 8