



US00D683277S

(12) **United States Design Patent**
McCoy

(10) **Patent No.:** **US D683,277 S**

(45) **Date of Patent:** **** May 28, 2013**

(54) **MOUNTING DEVICE FOR UNDER BED
HITCH MOUNTING SYSTEM**

(75) Inventor: **Richard W. McCoy**, Granger, IN (US)

(73) Assignee: **Cequent Performance Products, Inc.**,
Plymouth, MI (US)

(**) Term: **14 Years**

(21) Appl. No.: **29/429,779**

(22) Filed: **Aug. 16, 2012**

Related U.S. Application Data

(63) Continuation of application No. 29/380,634, filed on
Dec. 8, 2010, now Pat. No. Des. 668,187.

(51) **LOC (9) Cl.** **12-16**

(52) **U.S. Cl.**
USPC **D12/161**

(58) **Field of Classification Search** D12/118,
D12/400, 161, 159, 160; 280/124.155, 124.147,
280/124.145, 124.146, 86.752, 11.225; 188/281,
188/298, 297, 315, 316, 274, 286; 267/195,
267/136, 64.15, 217; 464/173; 293/134; D8/399
See application file for complete search history.

(56) **References Cited**

U.S. PATENT DOCUMENTS

2,588,010	A	3/1952	Kennon	
2,962,245	A	11/1960	Molzan et al.	
3,106,377	A	10/1963	Cotton	
3,252,681	A	5/1966	Watts	
3,336,051	A *	8/1967	Dale	280/423.1
3,367,000	A	2/1968	Schluter	
3,739,432	A	6/1973	Sander et al.	
3,884,457	A	5/1975	Leko	
3,893,713	A *	7/1975	Ivy	280/511
4,091,744	A	5/1978	Crissy et al.	

D263,927	S	4/1982	Dewey	
4,457,650	A	7/1984	Tseng	
4,630,982	A	12/1986	Fenner	
4,656,689	A	4/1987	Dennis	
4,657,274	A *	4/1987	Mann et al.	280/433
5,016,898	A *	5/1991	Works et al.	280/433
5,102,275	A	4/1992	Hulsey	
5,110,151	A	5/1992	Blechs Schmidt et al.	

(Continued)

FOREIGN PATENT DOCUMENTS

GB	2246183	1/1992
GB	2246183 A *	1/1992

OTHER PUBLICATIONS

Cequent Towing Products, Inc., Installation Instructions Mounting
Kit Ford F250/F350/F450 LD/HD/SD 6' & 8' Beds, Dec. 13, 2006,
pp. 1-11, Litho in USA.

(Continued)

Primary Examiner — Michael A Pratt

(74) *Attorney, Agent, or Firm* — McDonald Hopkins LLC

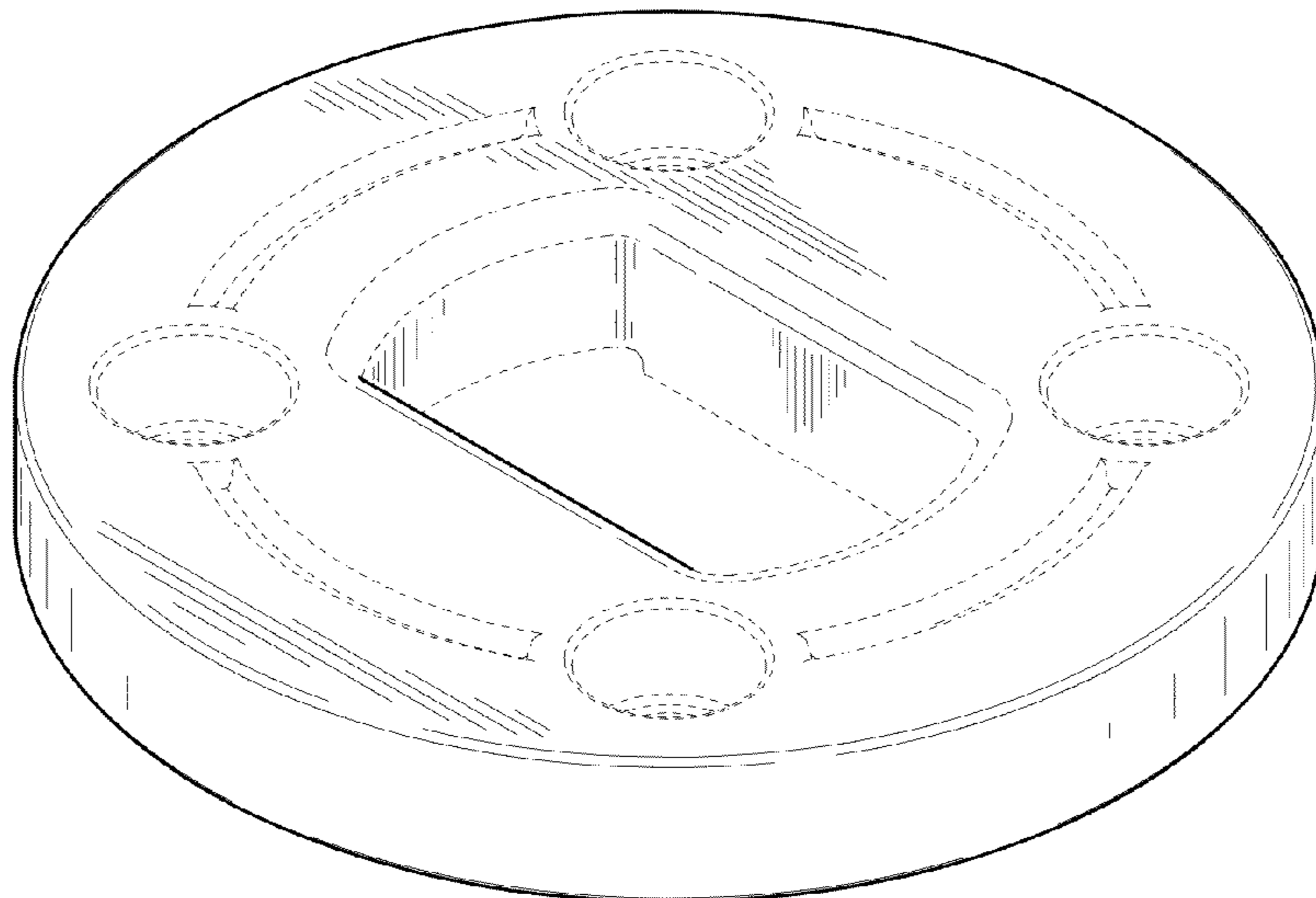
(57) **CLAIM**

The ornamental design of a mounting device for under bed
hitch mounting system, as shown and described.

DESCRIPTION

FIG. 1 is a top, side perspective view of a mounting device for
under bed hitch mounting system showing our new design;
FIG. 2 is a bottom, side perspective view thereof;
FIG. 3 is a top view thereof;
FIG. 4 is a bottom view thereof;
FIG. 5 is a side view thereof; and,
FIG. 6 is a side view thereof.
The broken lines in the Figures are for illustrative purposes
only and form no part of the claimed invention.

1 Claim, 3 Drawing Sheets



U.S. PATENT DOCUMENTS

D327,111	S	6/1992	Hemming	
5,144,821	A	9/1992	Ernesti et al.	
5,265,992	A	11/1993	Jensen	
5,571,270	A	11/1996	Larkin	
5,738,363	A	4/1998	Larkin	
5,860,671	A *	1/1999	Mackeown	280/511
5,893,575	A	4/1999	Larkin	
D414,406	S	9/1999	Meyer	
6,065,766	A	5/2000	Pulliam	
6,193,261	B1	2/2001	Hahka	
6,264,566	B1	7/2001	Nieman et al.	
6,467,791	B1	10/2002	Fandrigh et al.	
6,502,846	B2	1/2003	Fandrigh et al.	
6,520,528	B2	2/2003	Fandrigh et al.	
6,695,338	B1 *	2/2004	Roberts	280/491.5
6,824,225	B2	11/2004	Stiffler	
6,837,511	B1 *	1/2005	Johnson, III	280/511
6,969,090	B1 *	11/2005	Works	280/407
7,121,573	B2	10/2006	Lindenman et al.	
7,168,727	B2 *	1/2007	Dick	280/491.5
7,419,224	B2	9/2008	Hall et al.	
7,472,919	B2	1/2009	Pratt et al.	
7,753,390	B1 *	7/2010	Mann et al.	280/438.1
7,793,968	B1	9/2010	Withers	
7,828,317	B2	11/2010	Withers et al.	
D644,075	S	8/2011	Barnett	
7,997,608	B2 *	8/2011	Mater et al.	280/507
8,272,661	B2 *	9/2012	Erickson	280/441.2
2002/0187020	A1	12/2002	Julien	
2006/0163840	A1	7/2006	Schwalbe	
2008/0315557	A1	12/2008	Stanifer et al.	
2010/0096834	A1	4/2010	Stanifer et al.	
2010/0109285	A1	5/2010	Stanifer et al.	

OTHER PUBLICATIONS

Cequent Performance Products, Installation Instructions Gooseneck Mounting Kit Chevrolet/GMC 2500/3500 Heavy Duty Short & Long Bed, (Part No. 4456), Apr. 11, 2011, pp. 1-8.
 Instruction Sheet No. 63102N, Make/Model(s) Hide-A-Goose, Mar. 26, 2007, 4 pages.
 Instruction Sheet No. 50117N, Make/Model(s) Dodge Pick-Ups, 2003-Up 2500, 3500 All Models, Mar. 22, 2007, 3 pages.
 Cequent Towing Products, Inc., Operating Instructions Signature Series 5th Wheel Slider Hitch, pp. 1-12, Jan. 23, 2004, Litho in USA.
 Cequent Towing Products, Inc., Installation Instructions Mounting Kit GM '99-'07 "Classic" 1500 (LD/HD) and 2500 5'8" & 6'6" Beds Only, Aug. 29, 2008, 10 pages, Litho in USA.
 Cequent Towing Products, Inc., Installation Instructions Mounting Kit Ford 2004-Current F150 5.5', 6' and 8' Beds, 11 pages, Aug. 21, 2008, Litho in USA.
 Cequent Towing Products, Inc., Assembly Instructions Signature Series 24K 5th Wheel Hitch, pp. 1-11, Jan. 28, 2004, Litho in USA.

Draw-Tite Catalog 2004, 7 pages.
 Draw-Tite Catalog 2005, 7 pages.
 Draw-Tite Catalog 2006, 5 pages.
 Draw-Tite Catalog, 2007, 6 pages.
 Draw-Tite Catalog, 2008, 3 pages.
 Reese Catalog, 2004, 8 pages.
 Reese Catalog, 2005, 9 pages.
 Reese Catalog, 2006, 6 pages.
 Reese Catalog, 2007, 7 pages.
 Reese Catalog, 2008, 5 pages.
 Cequent Towing Products, Inc., Operating Instructions Signature Series 5th Wheel Slider Hitch, pp. 1-12, Dec. 13, 2004, Litho in USA.
 Cequent Towing Products, Inc., Assembly Instructions Signature Series 5th Wheel Slider Hitch, pp. 1-16, Jan. 23, 2004, Litho in USA.
 Cequent Towing Products, Inc., Assembly Instructions Signature Series 5th Wheel Slider Hitch, pp. 1-16, Jan. 5, 2004, Litho in USA.
 Cequent Towing Products, Inc., Assembly Instructions Signature Series 16K 5th Wheel Hitch, pp. 1-11, Mar. 15, 2005, Litho in USA.
 Cequent Towing Products, Inc., Assembly Instructions Signature Series 24K 5th Wheel Hitch, pp. 1-11, Dec. 13, 2004, Litho in USA.
 Cequent Towing Products, Inc., Operating Instructions Signature Series 16K 5th Wheel Hitch, pp. 1-9, Dec. 14, 2004, Litho in USA.
 Cequent Towing Products, Inc., Assembly Instructions Signature Series Gooseneck, pp. 1-14, Oct. 13, 2006, Litho in USA.
 Cequent Towing Products, Inc., Assembly Instructions Signature Series 24K 5th Wheel Hitch, pp. 1-11, Jun. 15, 2006, Litho in USA.
 Cequent Towing Products, Inc., Assembly Instructions Signature Series 24K 5th Wheel Hitch, pp. 1-11, May 21, 2008, Litho in USA.
 Cequent Towing Products, Inc., Assembly Instructions Signature Series 5th Wheel Slider Hitch, pp. 1-17, Jun. 2, 2004, Litho in USA.
 Cequent Towing Products, Inc., Operating Instructions Signature Series 24K 5th Wheel Hitch, pp. 1-9, Mar. 15, 2005, Litho in USA.
 Cequent Towing Products, Inc., Operating Instructions Signature Series 24K 5th Wheel Hitch, pp. 1-9, May 21, 2008, Litho in USA.
 Cequent Towing Products, Inc., Operating Instructions Signature Series 24K 5th Wheel Hitch, pp. 1-9, Dec. 14, 2004, Litho in USA.
 Cequent Towing Products, Inc., Operating Instructions Signature Series 24K 5th Wheel Hitch, pp. 1-9, Aug. 20, 2007, Litho in USA.
 Cequent Towing Products, Inc., Assembly Instructions Signature Series 24K 5th Wheel Hitch, pp. 1-11, Jan. 6, 2006, Litho in USA.
 Cequent Towing Products, Inc., Operating Instructions Signature Series 24K 5th Wheel Hitch, pp. 1-9, Jan. 28, 2004, Litho in USA.
 Cequent Towing Products, Inc., Assembly Instructions Signature Series 24K 5th Wheel Hitch, pp. 1-11, Dec. 13, 2004, Litho in USA.
 Cequent Towing Products, Inc., Assembly Instructions Signature Series 5th Wheel Slider Hitch, pp. 1-17, Jan. 24, 2007, Litho in USA.
 Cequent Towing Products, Inc., Operating Instructions Signature Series 5th Wheel Slider Hitch, pp. 1-12, Aug. 20, 2007, Litho in USA.
 Cequent Towing Products, Inc., Operating Instructions Signature Series 5th Wheel Slider Hitch, pp. 1-12, Jan. 25, 2007, Litho in USA.

* cited by examiner

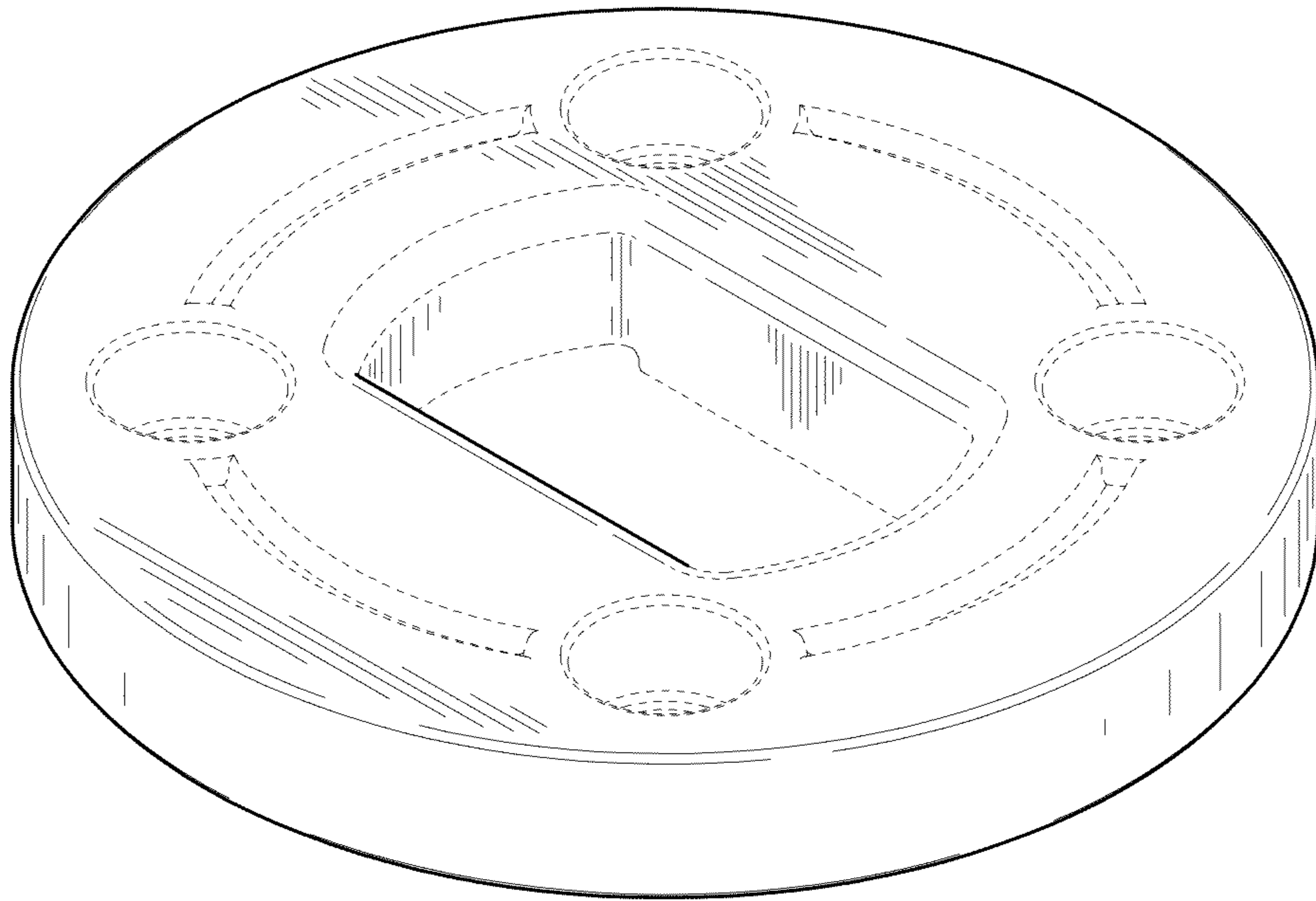


Fig. 1

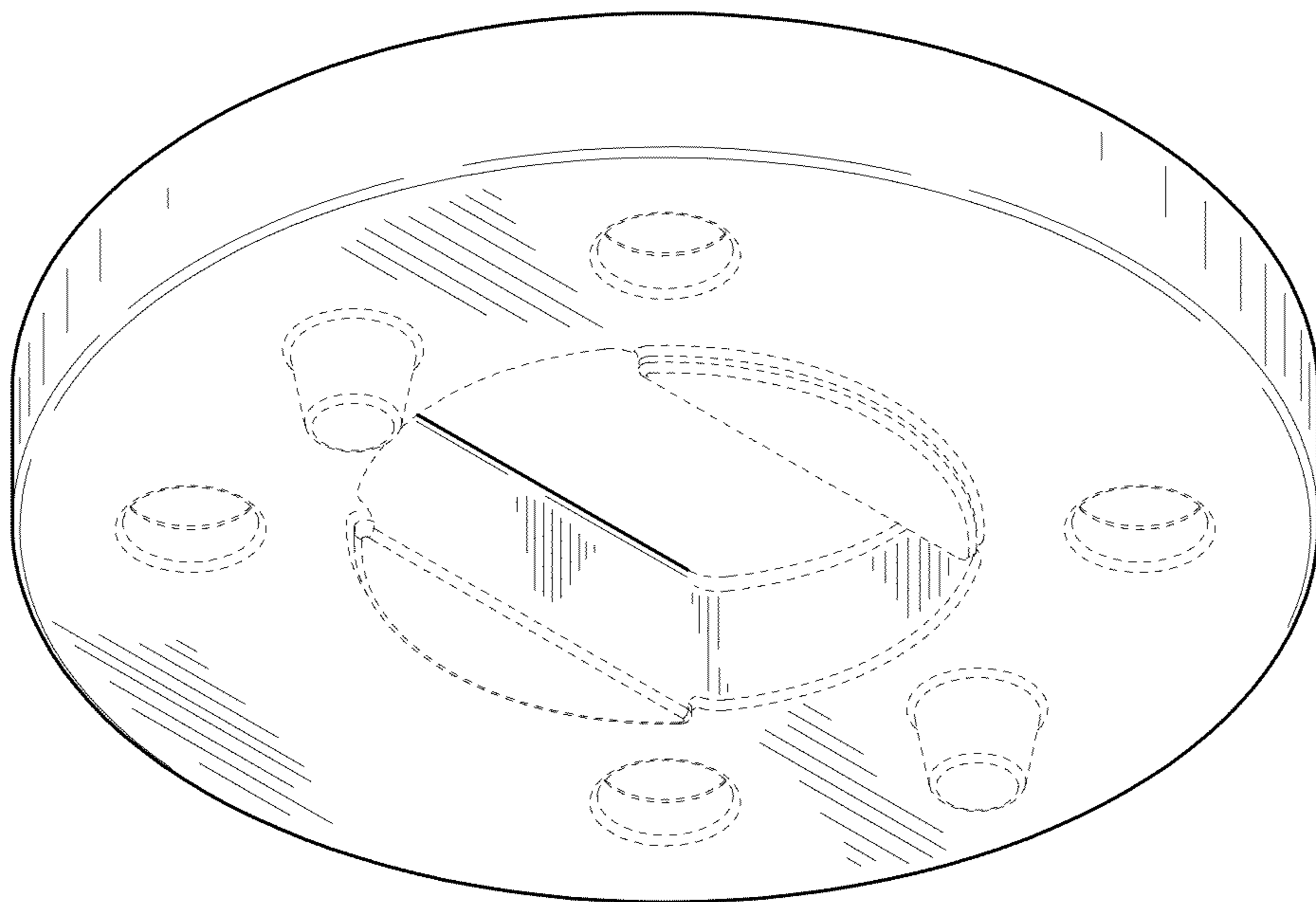


Fig. 2

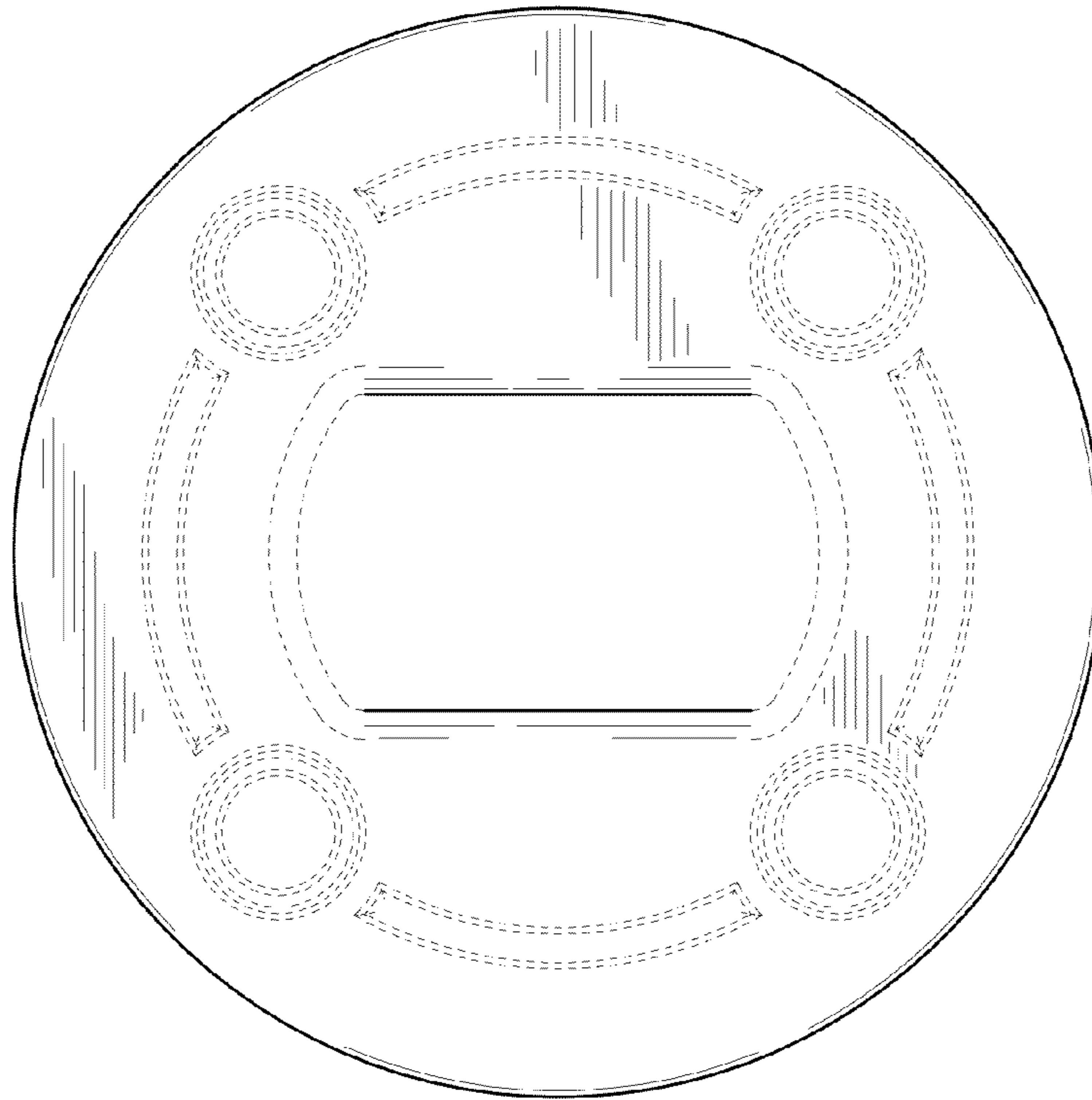


Fig. 3

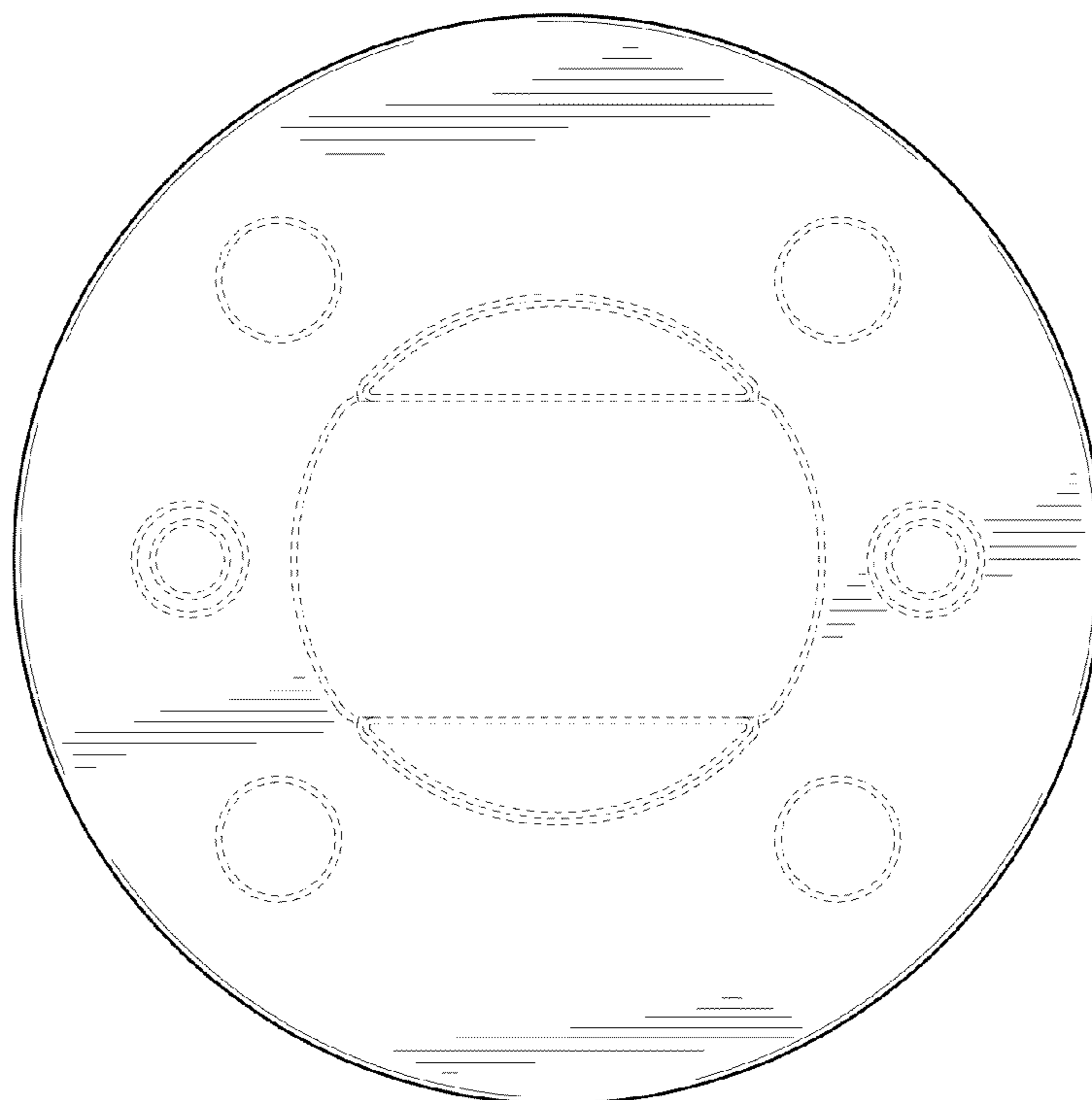


Fig. 4

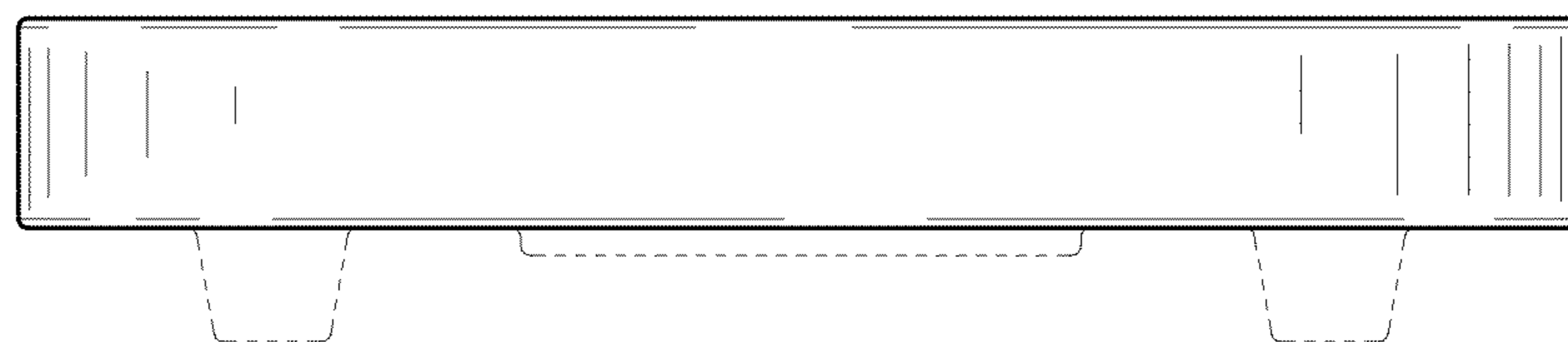


Fig. 5

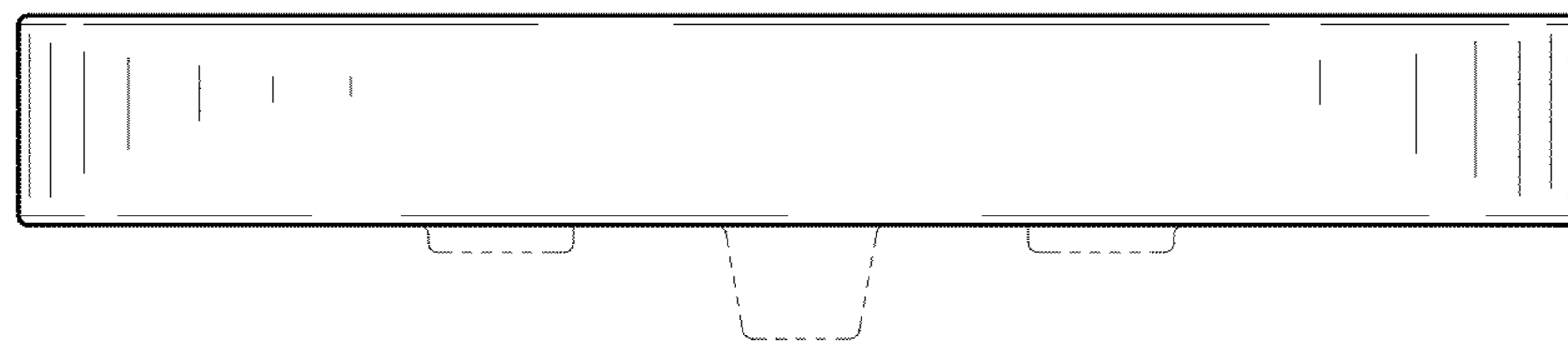


Fig. 6