



US00D683273S

(12) **United States Design Patent**
Winkie

(10) **Patent No.:** **US D683,273 S**

(45) **Date of Patent:** **** May 28, 2013**

(54) **PEDAL BODY**

(75) Inventor: **John Winkie**, Auckland (NZ)

(73) Assignee: **Keywin Sports Limited** (NZ)

(**) Term: **14 Years**

(21) Appl. No.: **29/412,433**

(22) Filed: **Feb. 3, 2012**

(51) **LOC (9) Cl.** **12-11**

(52) **U.S. Cl.**
USPC **D12/125**

(58) **Field of Classification Search**
USPC D12/125, 111; 74/594.4–594.7
See application file for complete search history.

(56) **References Cited**

U.S. PATENT DOCUMENTS

4,488,453	A *	12/1984	Drugeon et al.	74/594.6
4,735,107	A *	4/1988	Winkie	74/594.6
D324,838	S *	3/1992	Briscaudieu	D12/125
6,230,584	B1 *	5/2001	Lin	74/594.6
6,837,128	B2 *	1/2005	Campagnolo	74/594.6

OTHER PUBLICATIONS

New Keywin pedal on p. 1 of 2. Sep. 2011 [Retrieved on Aug. 1, 2012]. Retrieved from the Internet <URL: [http://velonews.competitor.com/2011/09/gallery/interbike-tech-tidbits-from-the-show-floor_...>.*](http://velonews.competitor.com/2011/09/gallery/interbike-tech-tidbits-from-the-show-floor_...)

* cited by examiner

Primary Examiner — Susan M Lee
Assistant Examiner — Linda G Brooks

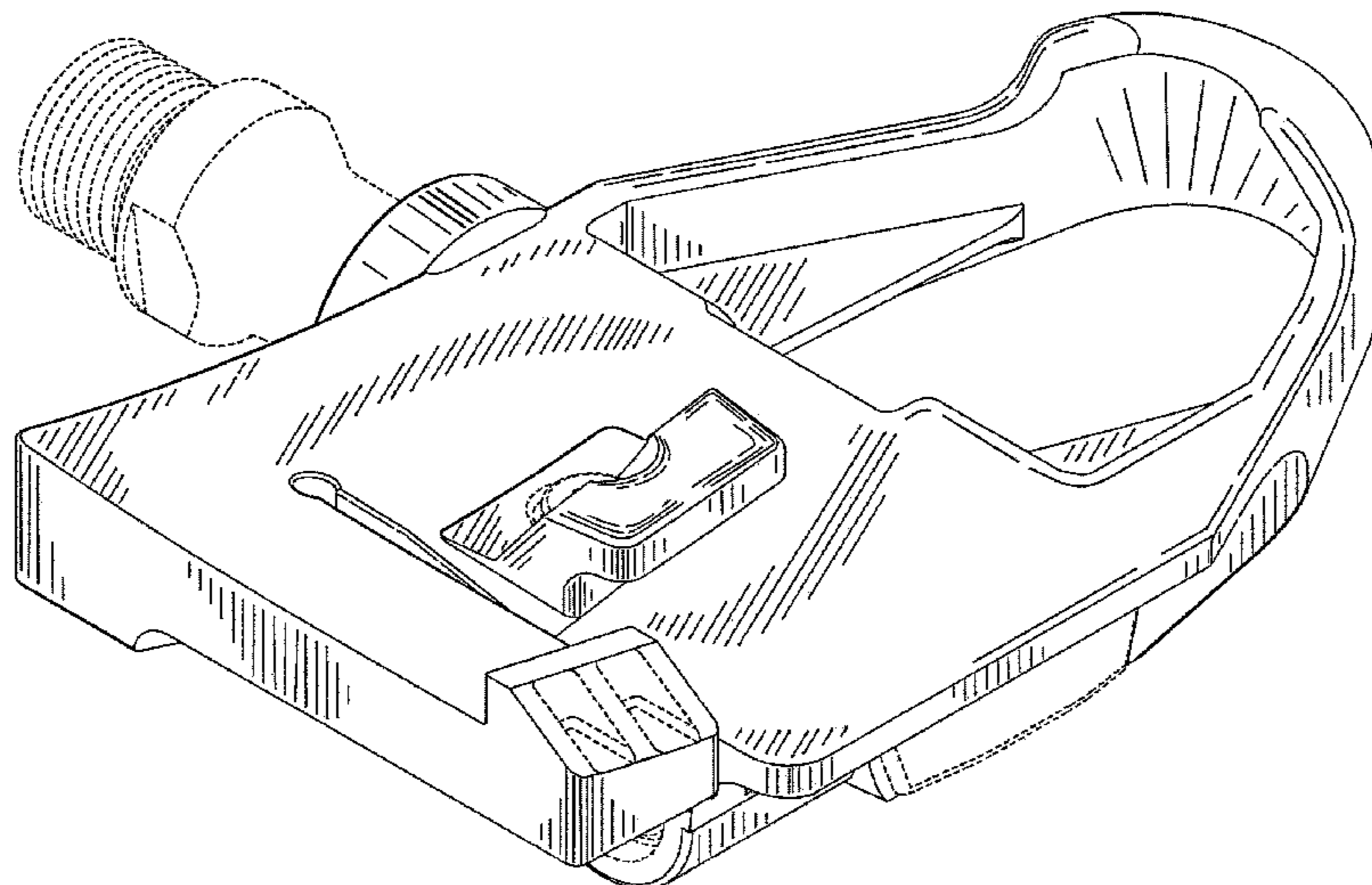
(74) *Attorney, Agent, or Firm* — Henricks, Slavin & Holmes LLP

(57) **CLAIM**
The ornamental design for the pedal body, as shown and described.

DESCRIPTION

FIG. 1 is a top isometric view of a first embodiment of a pedal body showing the new design, for use with the right side of a cycle,
FIG. 2 is a top view thereof,
FIG. 3 is a bottom view thereof,
FIG. 4 is a right side view thereof,
FIG. 5 is a left side view thereof,
FIG. 6 is a front view thereof,
FIG. 7 is a rear view thereof,
FIG. 8 is a bottom isometric view thereof,
FIG. 9 is a top isometric view of a left pedal body showing the new design, for use with the left side of a cycle,
FIG. 10 is a top view thereof,
FIG. 11 is a bottom view thereof,
FIG. 12 is a left side view thereof,
FIG. 13 is a right side view thereof,
FIG. 14 is a front view thereof,
FIG. 15 is a rear view thereof; and,
FIG. 16 is a bottom isometric view thereof.
All other features of the pedal body encompassed by broken lines form no part of the claimed design.
The broken line showing of the spindle and pedal reinforcements are for the purpose of illustrating environmental structure and portions of the article, respectively, and form no part of the claimed design.

1 Claim, 16 Drawing Sheets



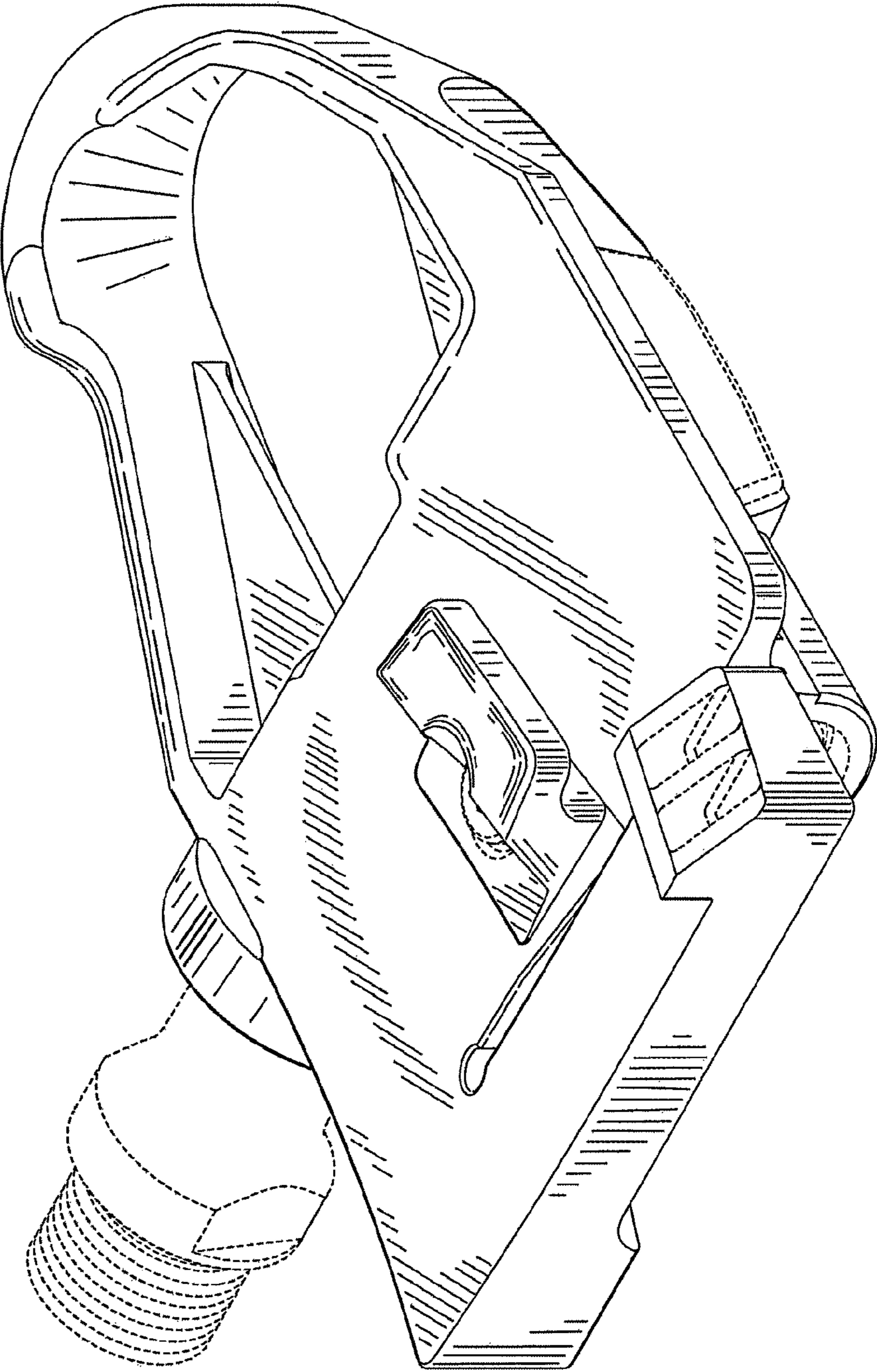


FIG. 1

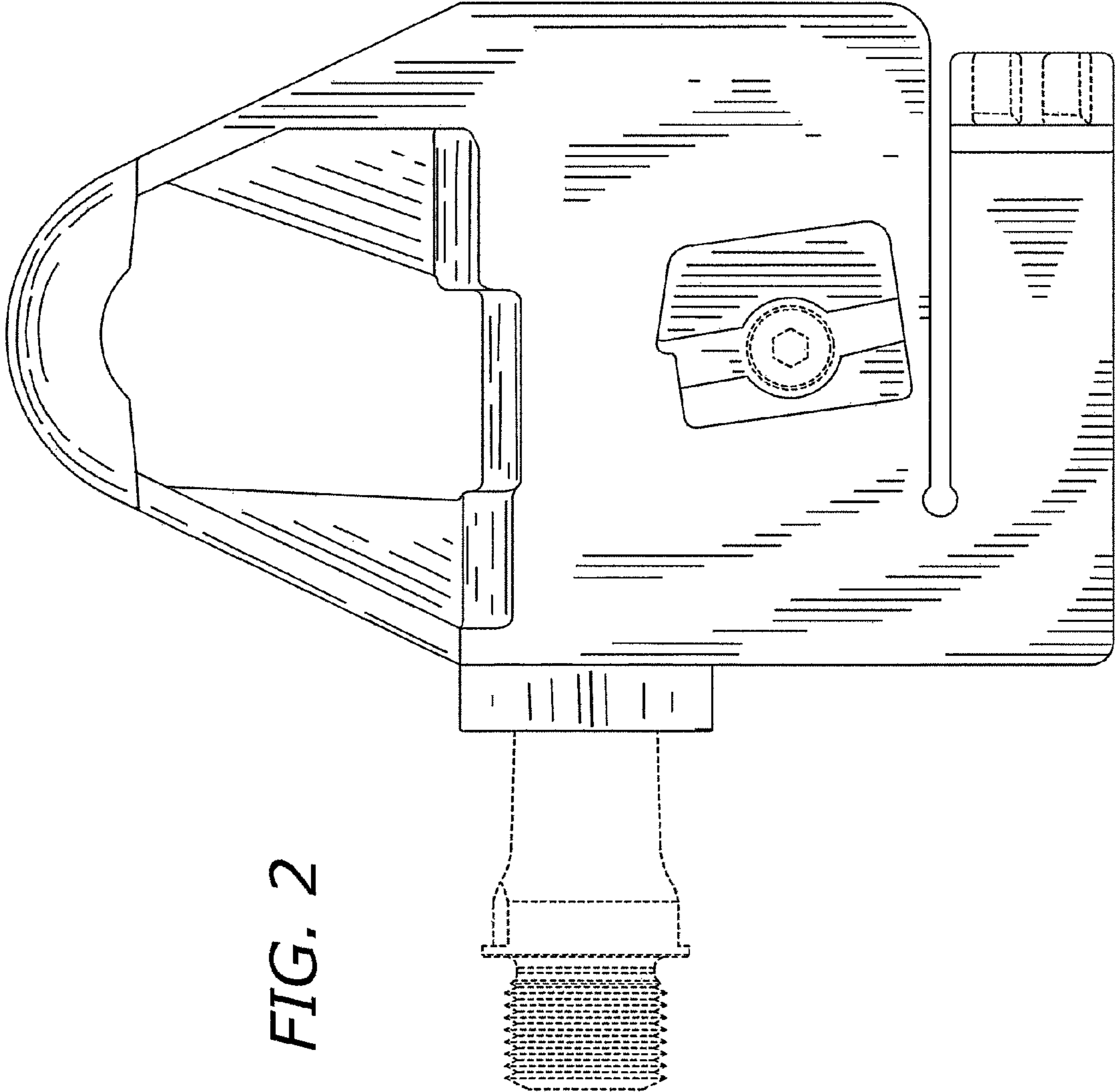


FIG. 2

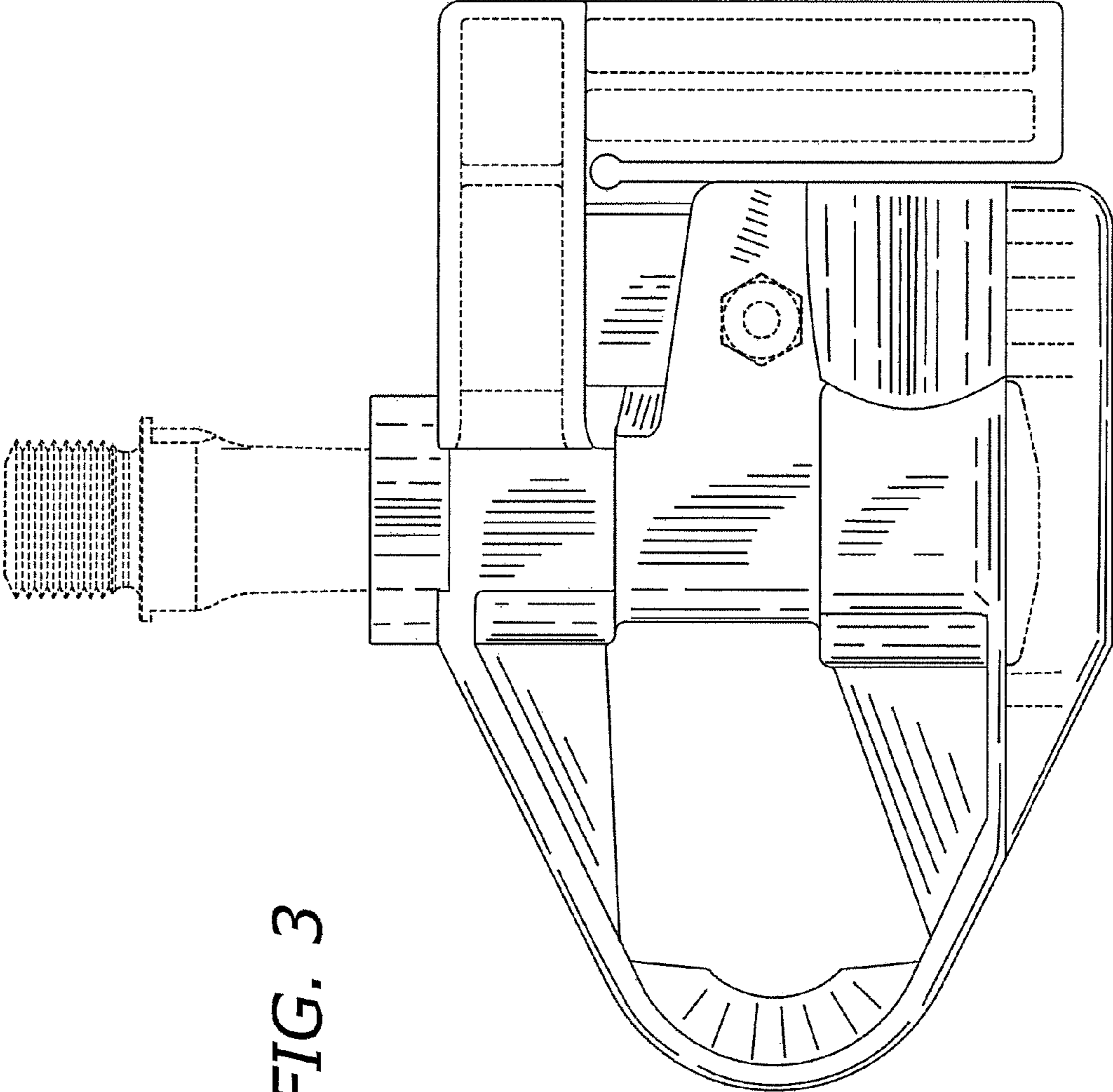


FIG. 3

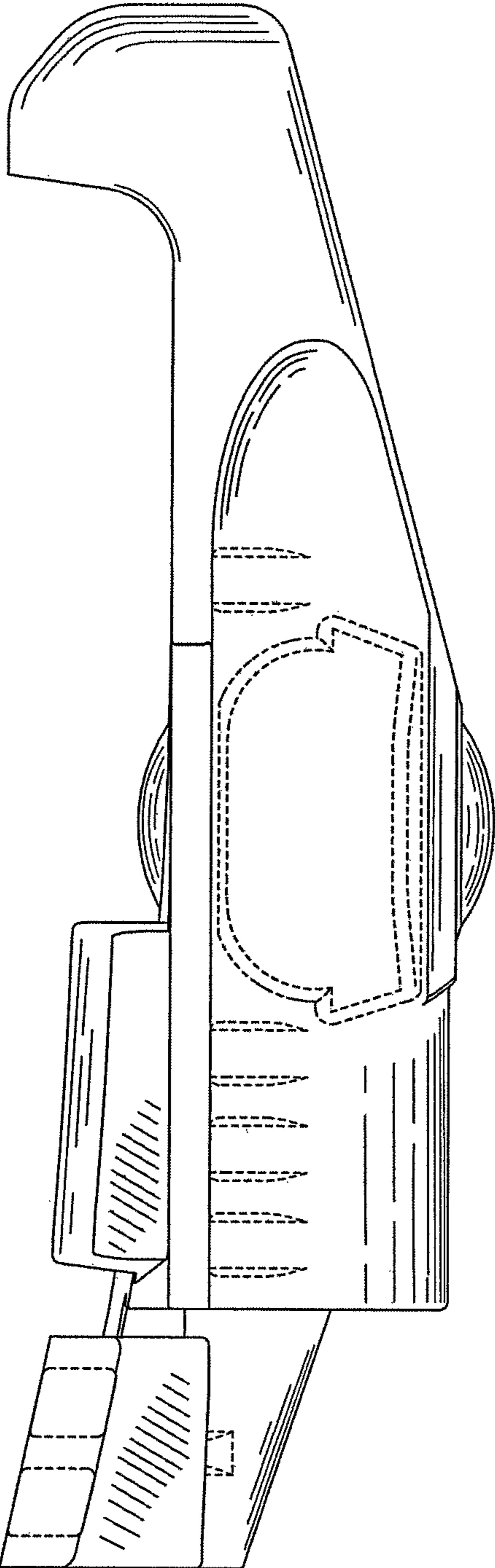
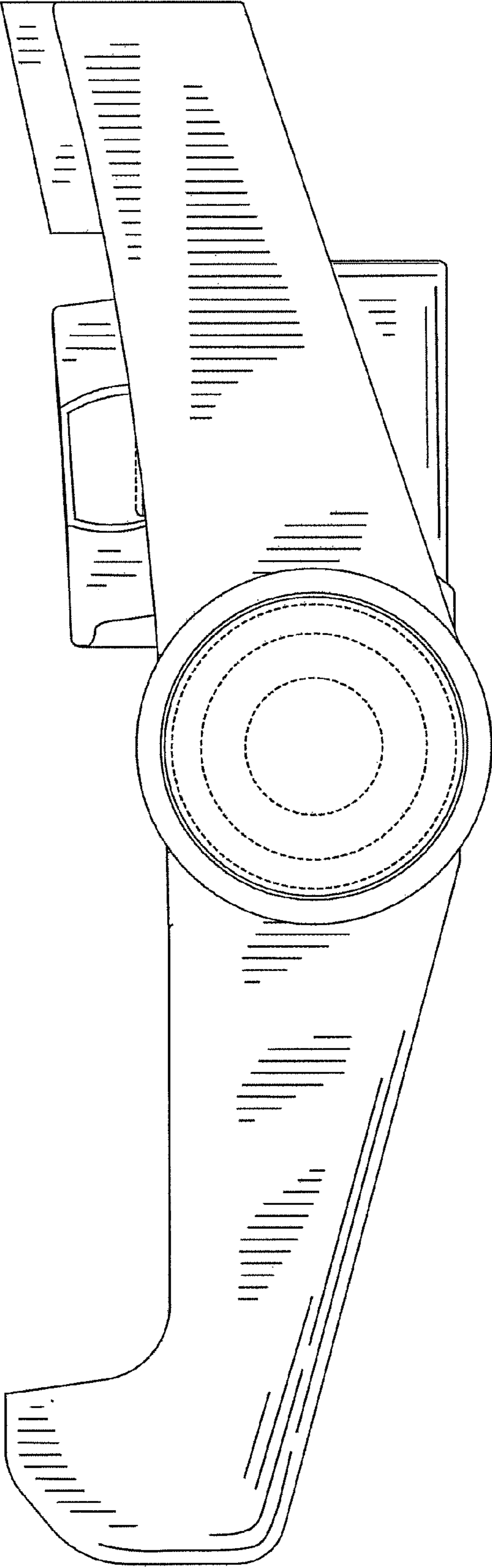


FIG. 4

FIG. 5



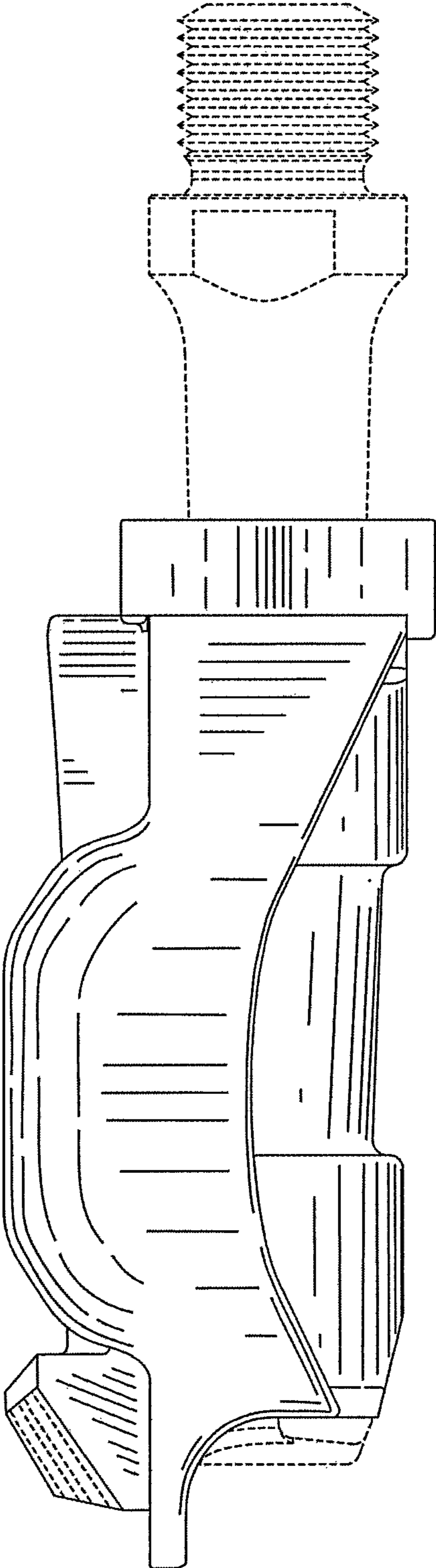


FIG. 6

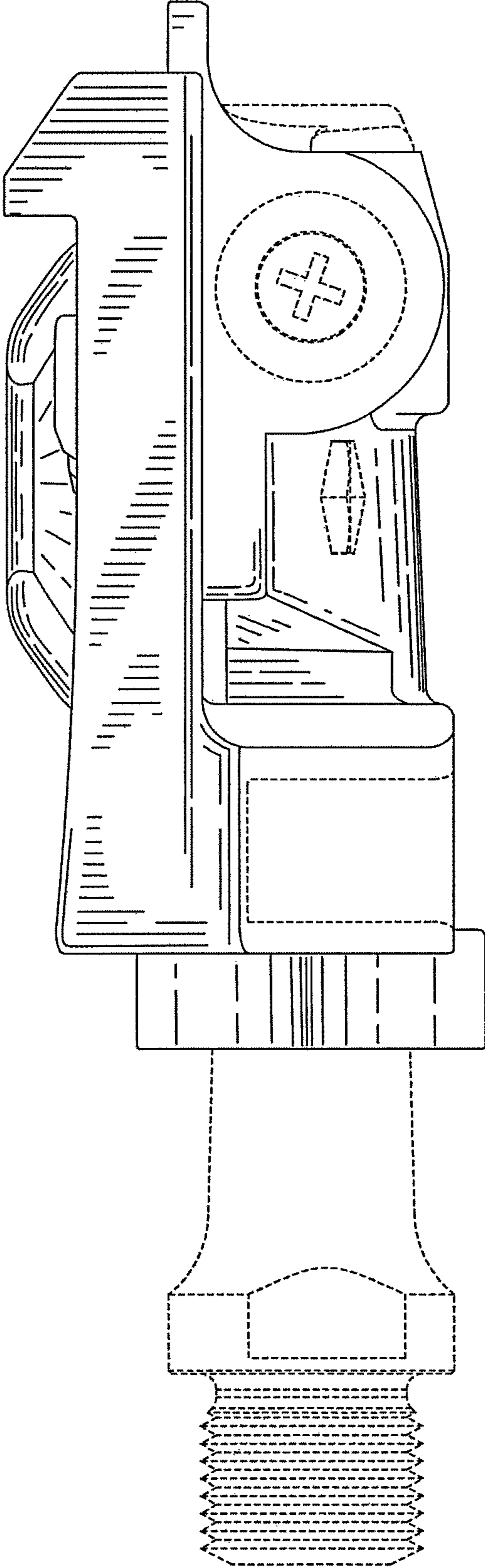


FIG. 7

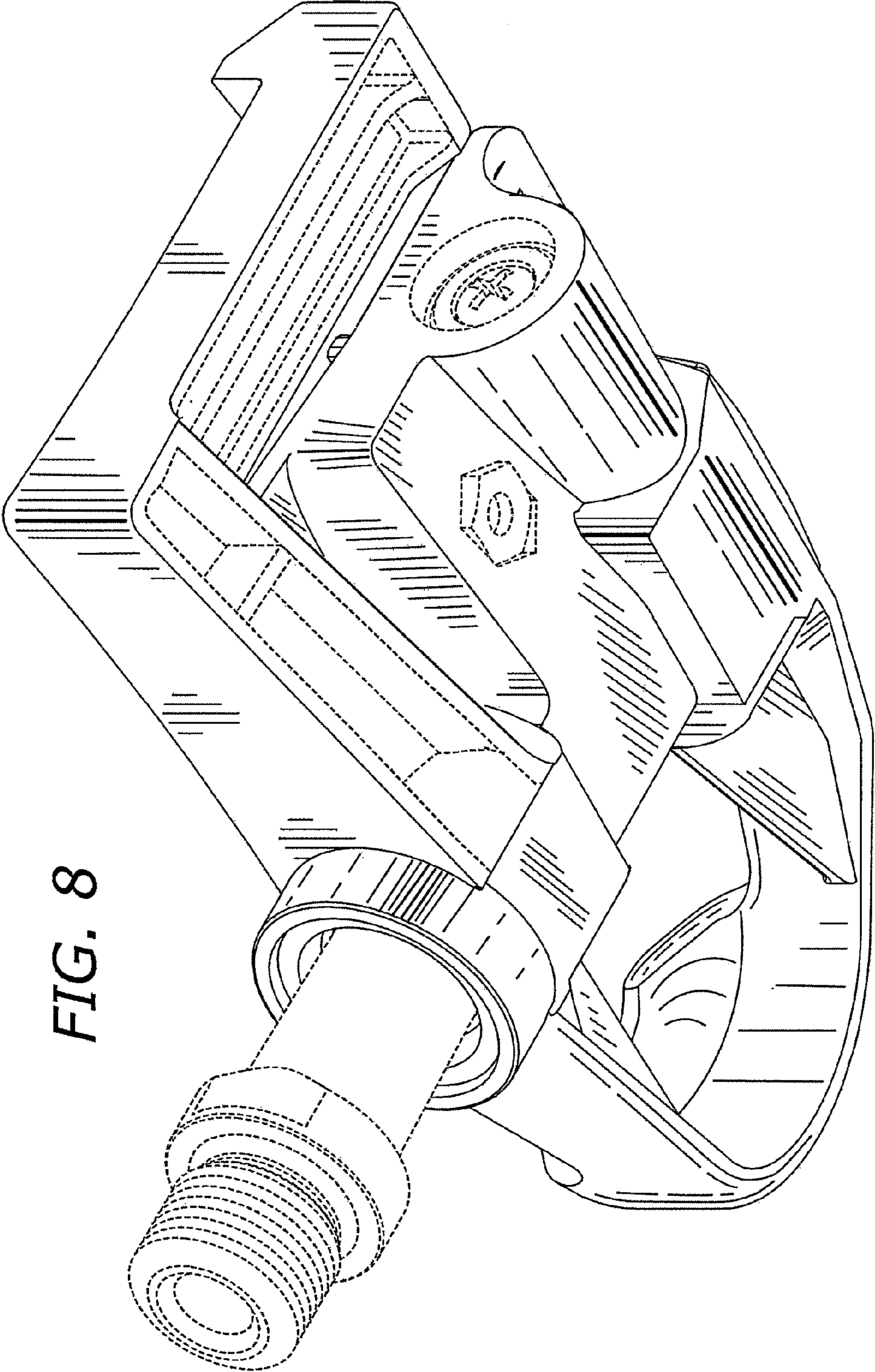


FIG. 8

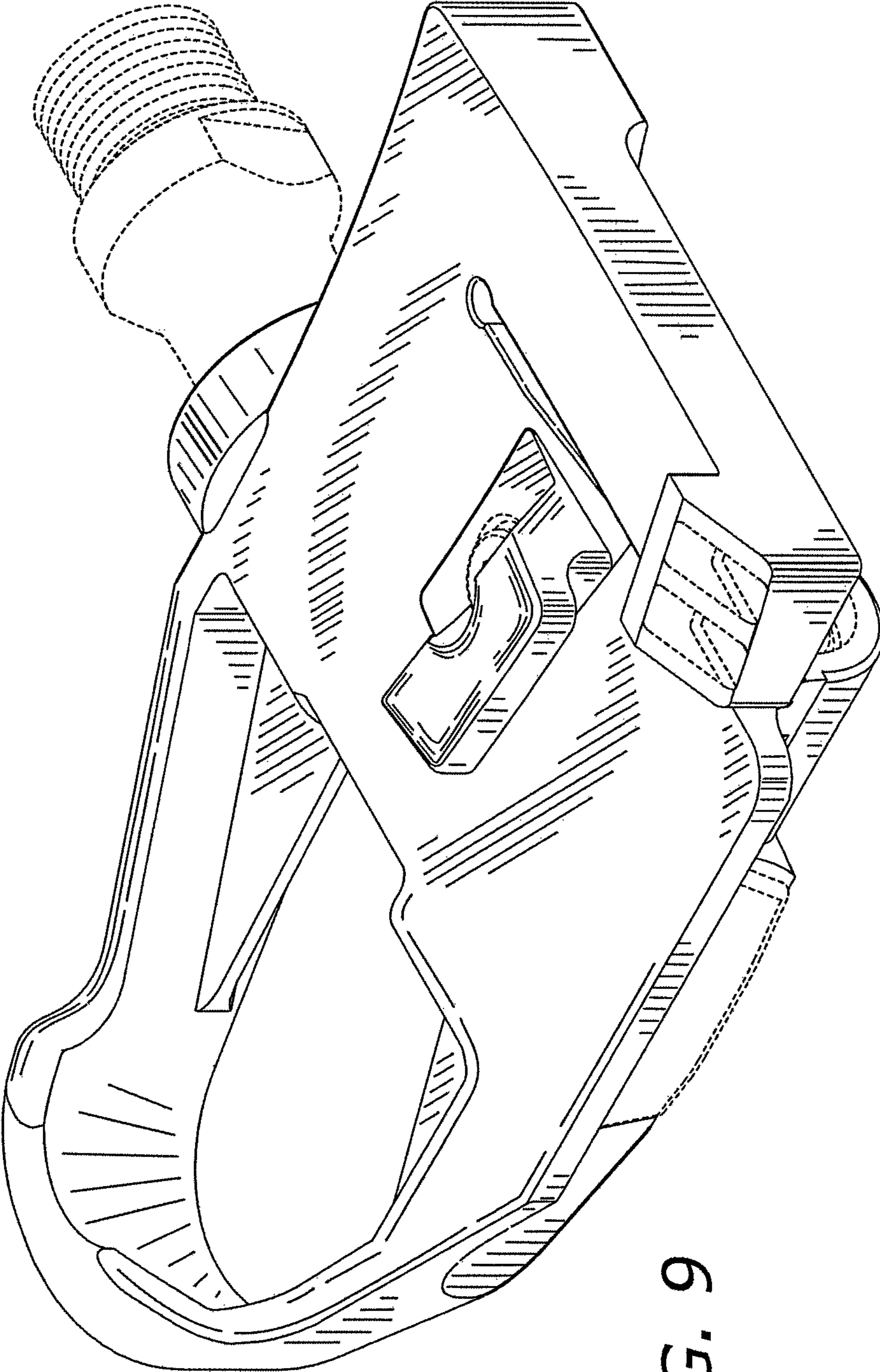
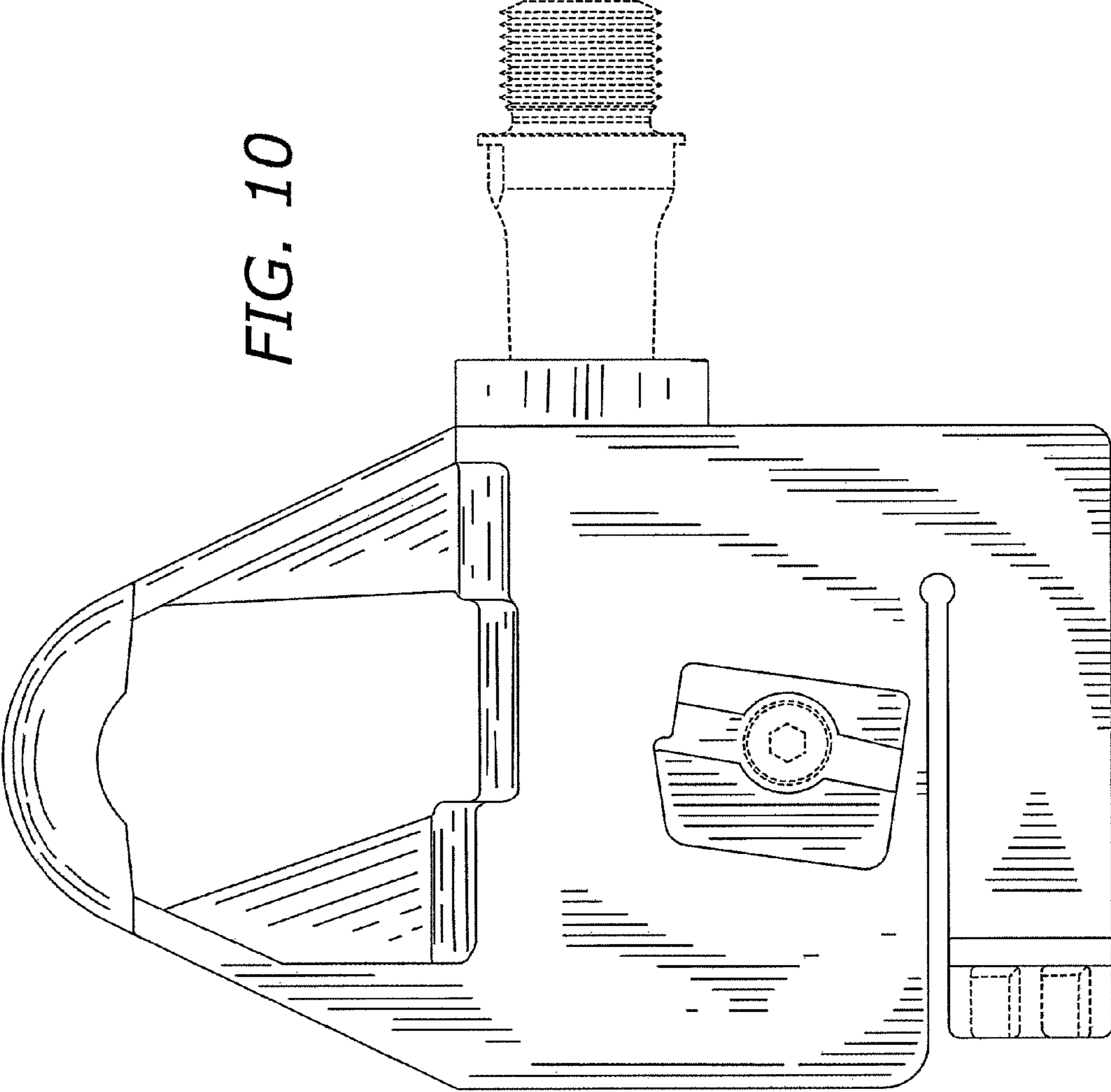


FIG. 9

FIG. 10



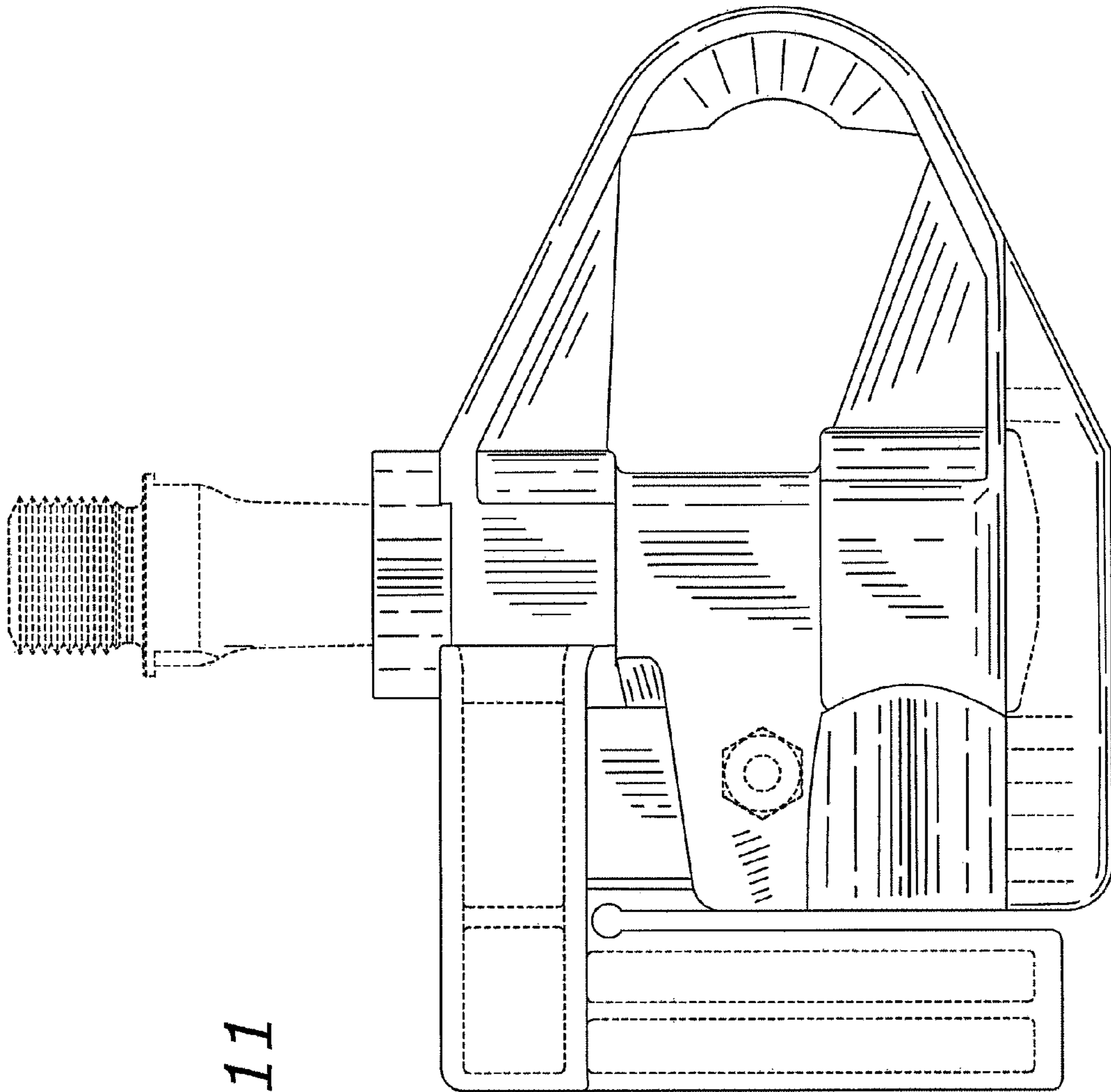


FIG. 11

FIG. 12

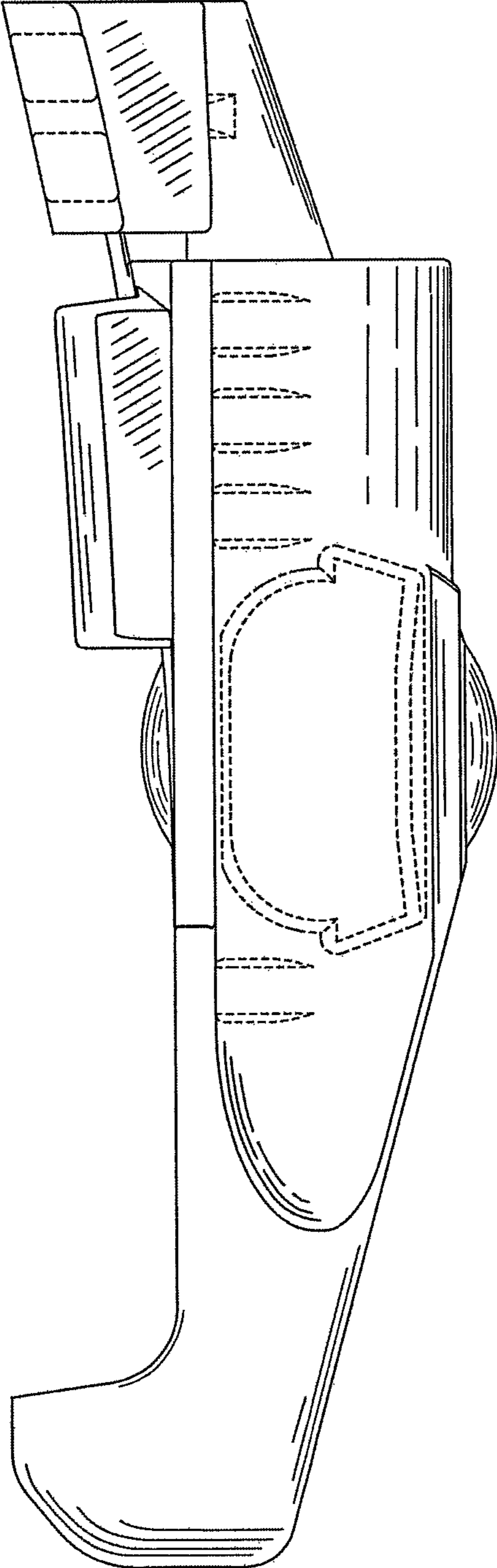
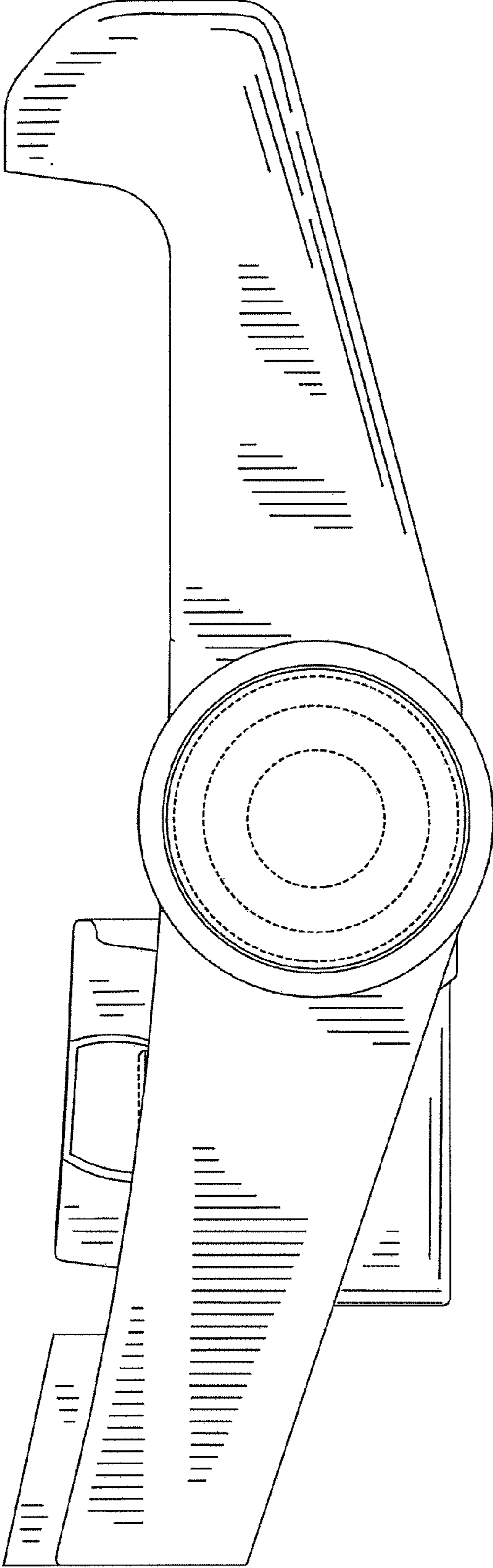


FIG. 13



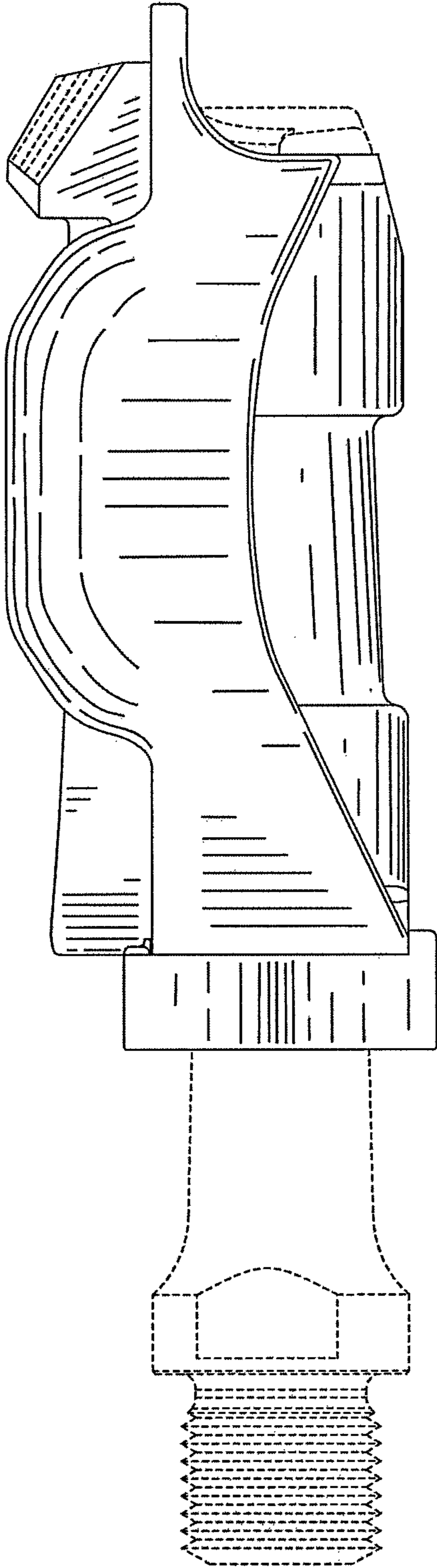
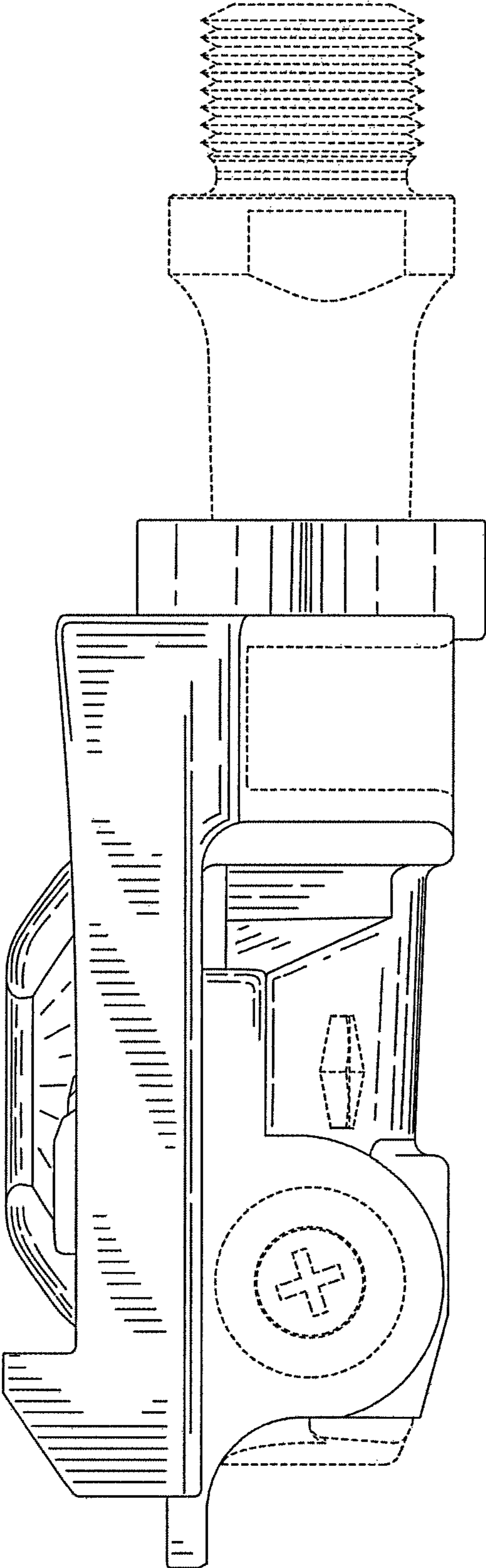


FIG. 14

FIG. 15



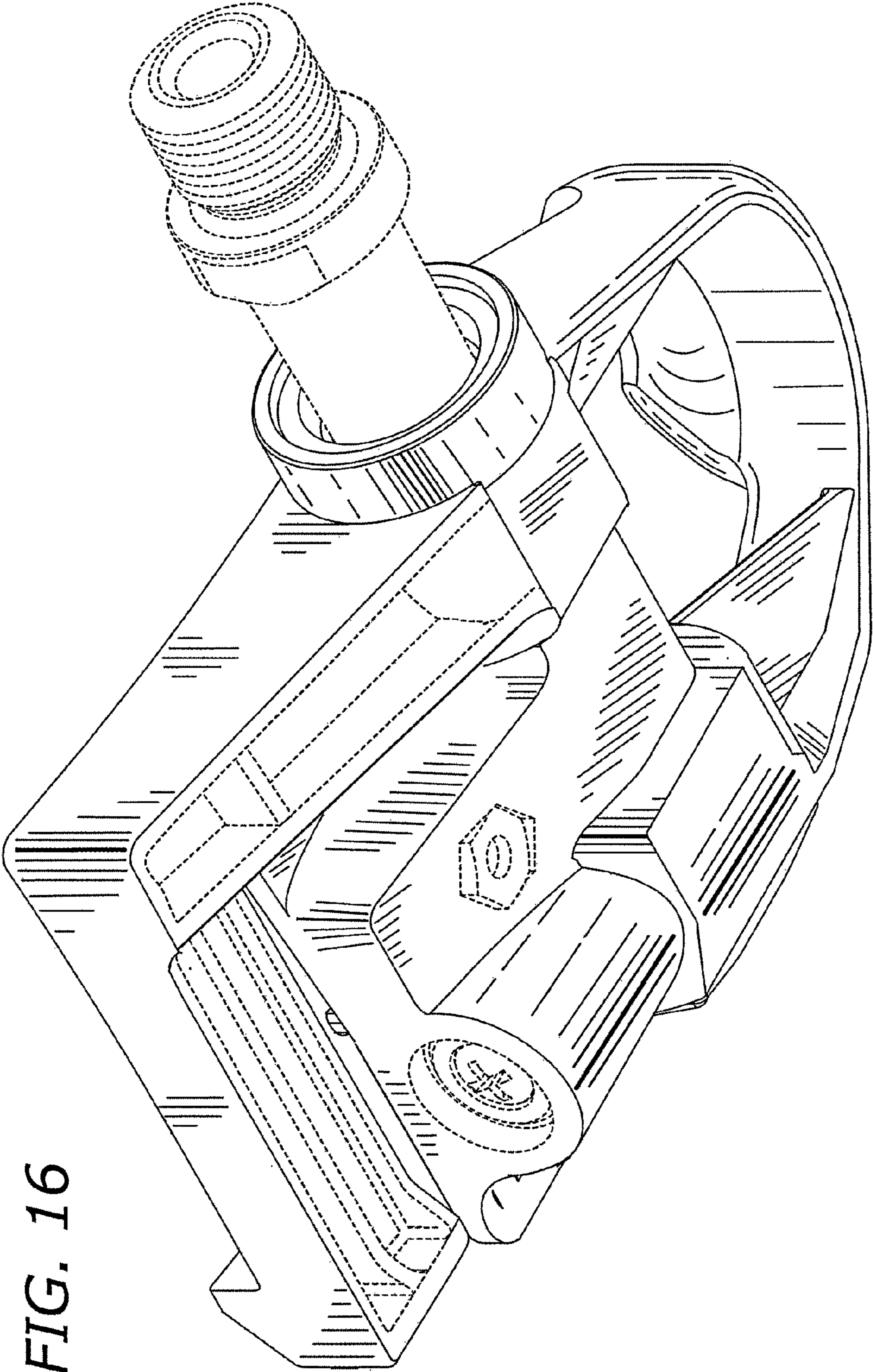


FIG. 16