



US00D683272S

(12) **United States Design Patent**
Lo

(10) **Patent No.:** **US D683,272 S**

(45) **Date of Patent:** **** May 28, 2013**

(54) **FRAME OF BICYCLE**

(71) Applicant: **Chiu-Hsiang Lo**, Taichung (TW)

(72) Inventor: **Chiu-Hsiang Lo**, Taichung (TW)

(**) Term: **14 Years**

(21) Appl. No.: **29/435,407**

(22) Filed: **Oct. 24, 2012**

(30) **Foreign Application Priority Data**

Jul. 23, 2012 (TW) 101304254 A

(51) **LOC (9) Cl.** **12-11**

(52) **U.S. Cl.**
USPC **D12/111**

(58) **Field of Classification Search**
USPC D12/111, 117, 119; 280/274-280,
280/281.1, 288.1-288.3

See application file for complete search history.

(56) **References Cited**

U.S. PATENT DOCUMENTS

D369,330 S * 4/1996 Hill et al. D12/111
D398,266 S * 9/1998 Colegrove et al. D12/111
D623,094 S * 9/2010 Carmona D12/111

* cited by examiner

Primary Examiner — Susan M Lee
Assistant Examiner — Linda G Brooks

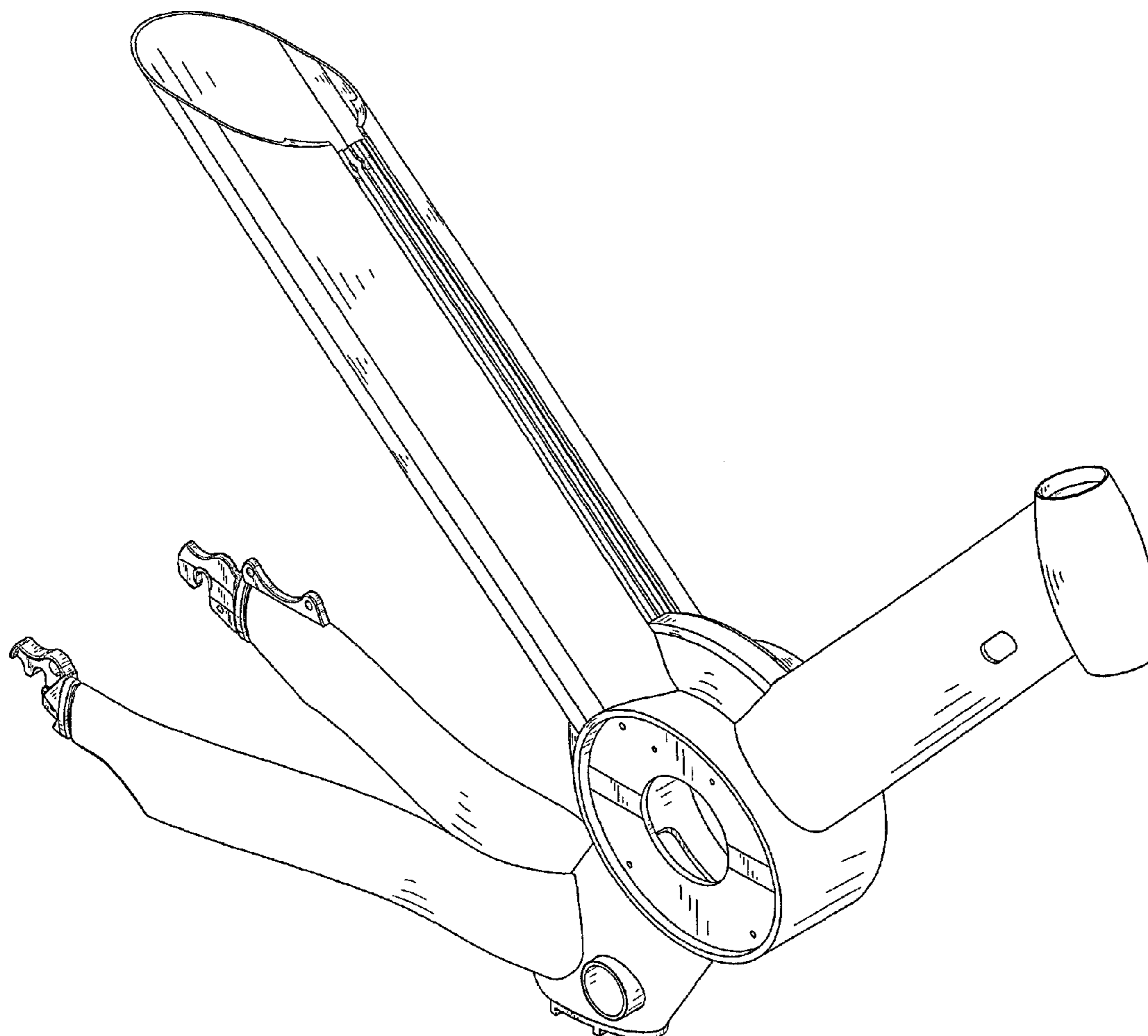
(57) **CLAIM**

The ornamental design for a frame of bicycle, as shown and described.

DESCRIPTION

FIG. 1 is a perspective view of the frame of bicycle showing my design;
FIG. 2 is a front elevation view thereof;
FIG. 3 is a side elevation view thereof;
FIG. 4 is an opposite side view thereof;
FIG. 5 is a top plan view thereof;
FIG. 6 is a bottom plan view thereof; and,
FIG. 7 is a rear elevation view thereof.

1 Claim, 5 Drawing Sheets



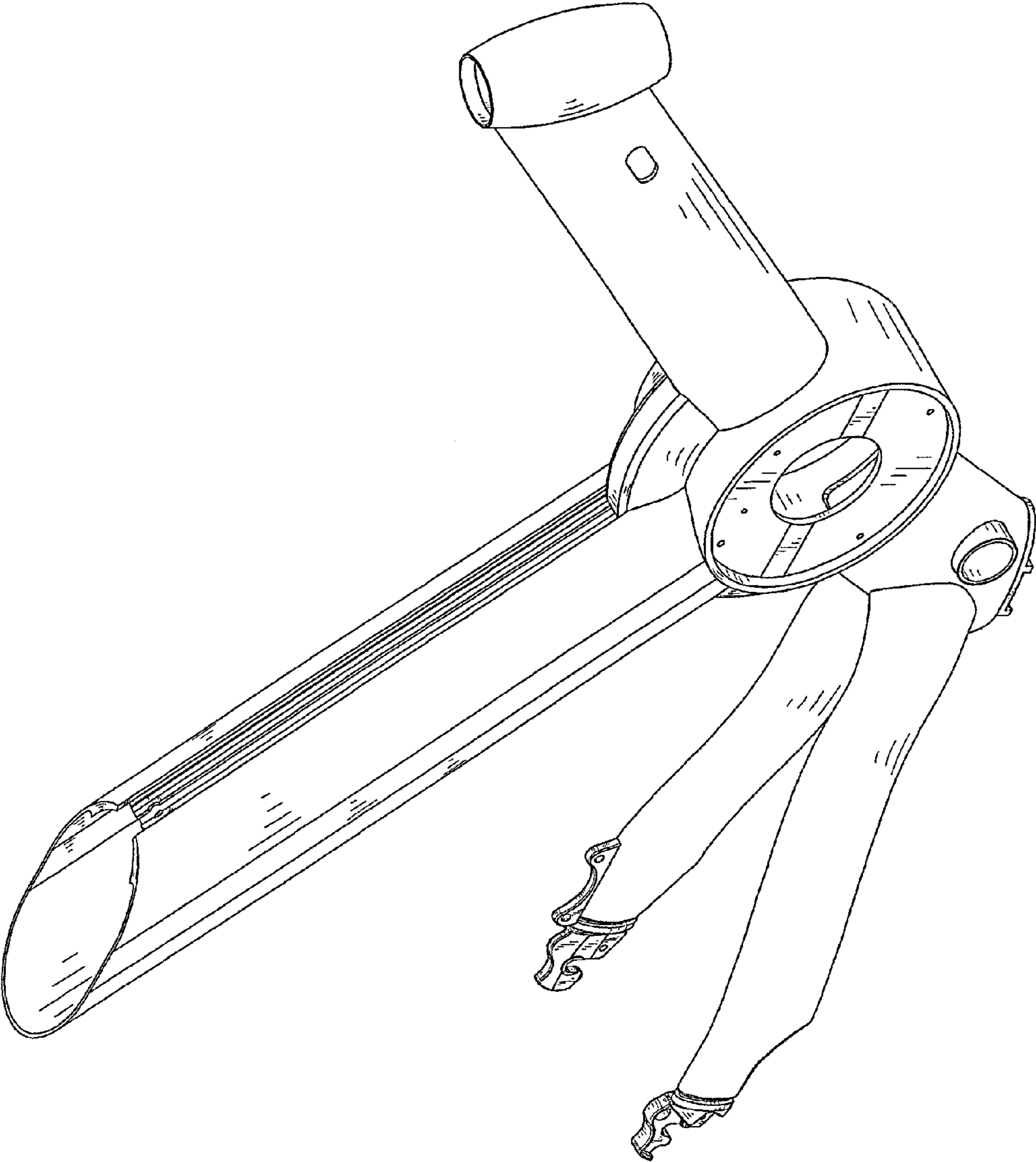


FIG.1

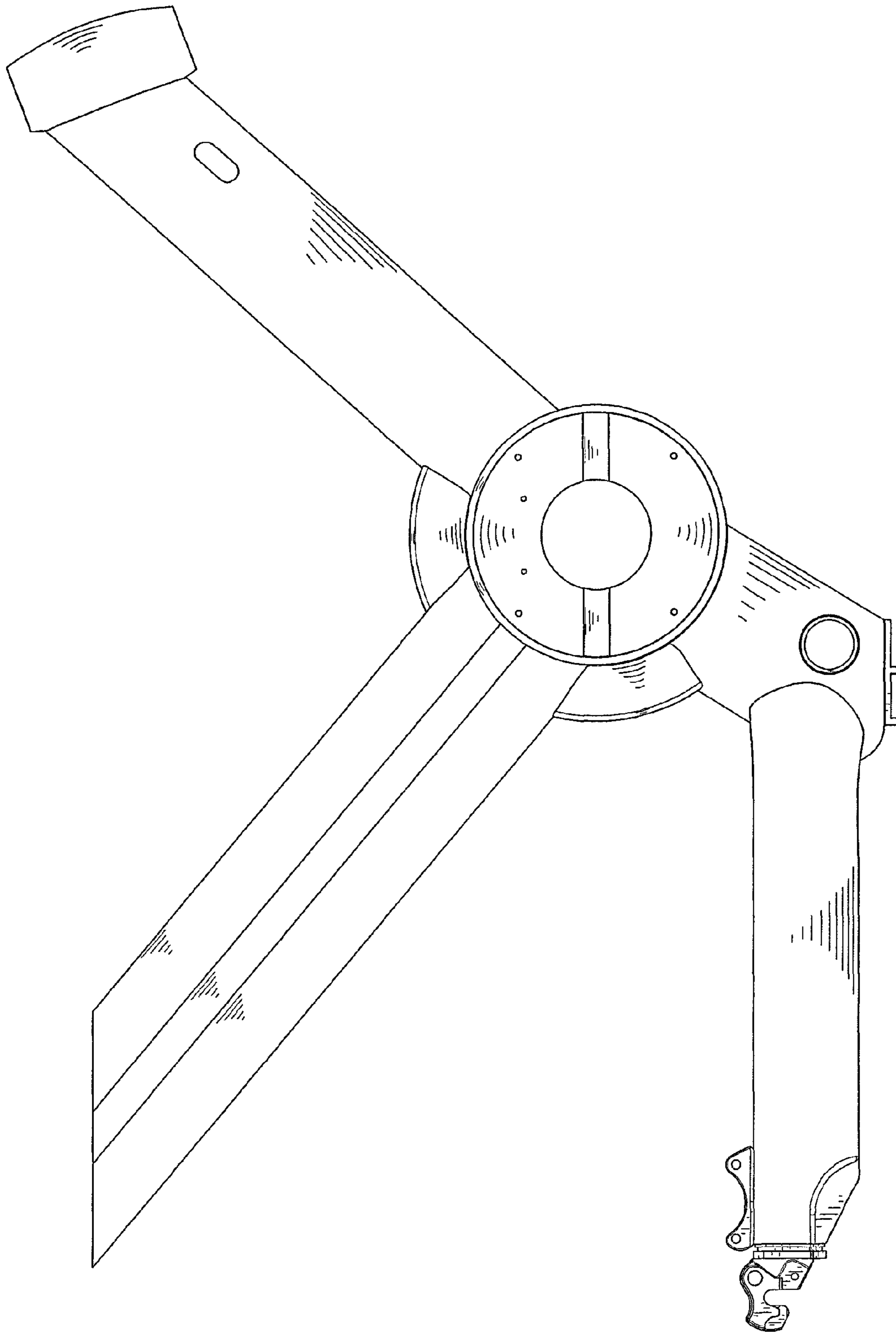


FIG.2

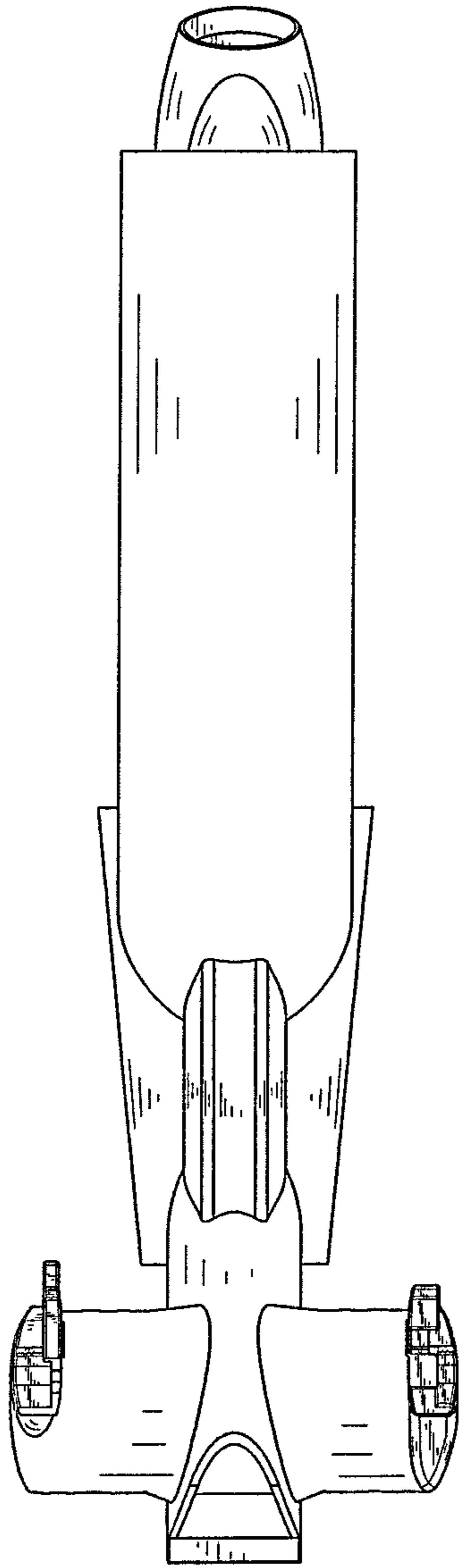


FIG.3

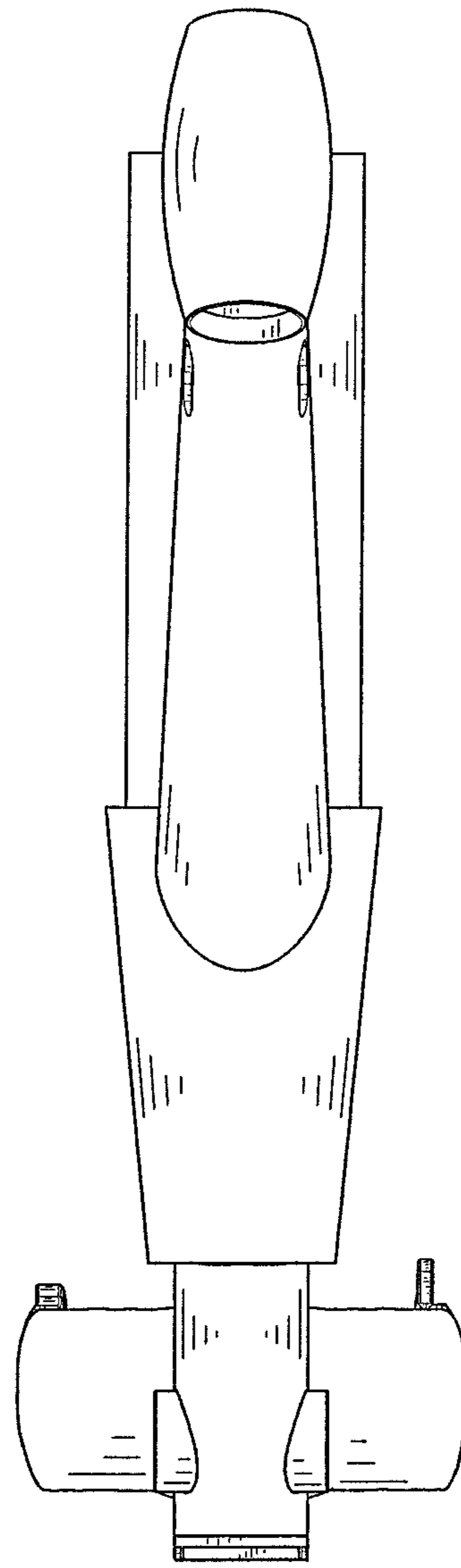


FIG.4

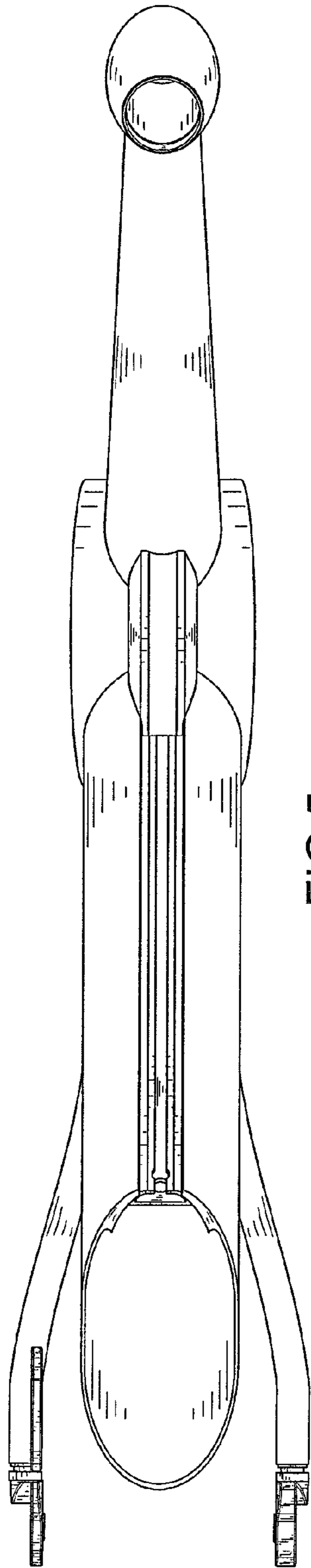


FIG. 5

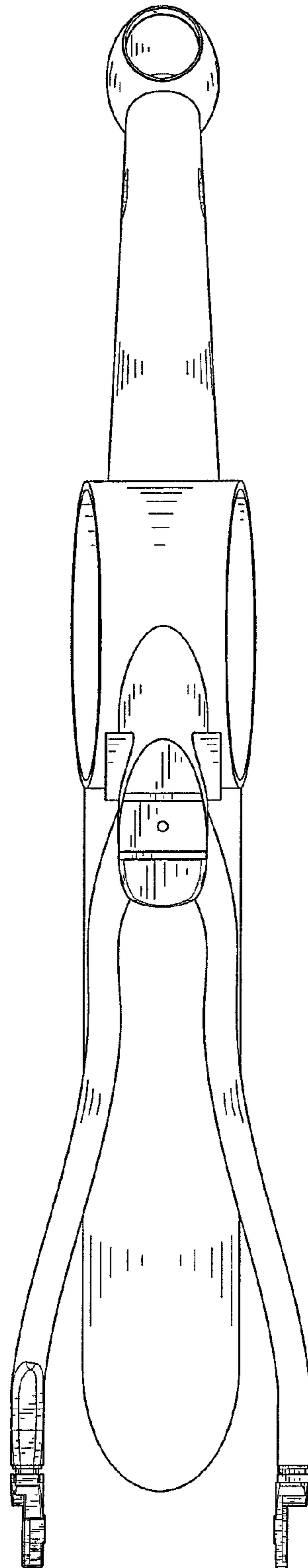


FIG. 6

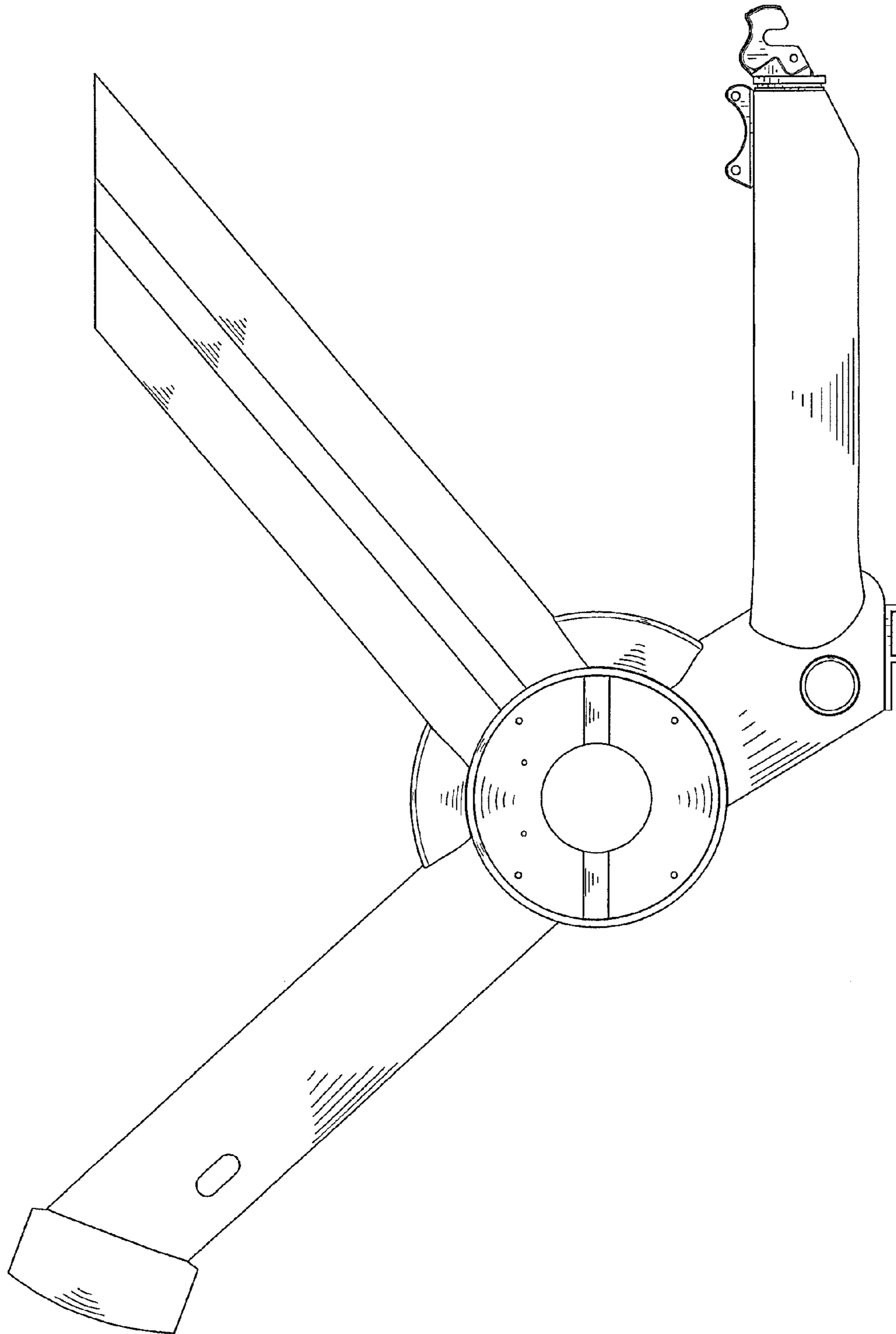


FIG.7