



US00D683271S

(12) **United States Design Patent**
Song

(10) **Patent No.:** **US D683,271 S**

(45) **Date of Patent:** **** May 28, 2013**

(54) **MOTORCYCLE**

(75) Inventor: **Michael Song**, Maple Grove, MN (US)

(73) Assignee: **Polaris Industries Inc.**, Medina, MN (US)

(**) Term: **14 Years**

(21) Appl. No.: **29/418,690**

(22) Filed: **Apr. 19, 2012**

(51) **LOC (9) Cl.** **12-11**

(52) **U.S. Cl.**
USPC **D12/110**

(58) **Field of Classification Search**
USPC D12/110; 180/219, 220
See application file for complete search history.

(56) **References Cited**

U.S. PATENT DOCUMENTS

D582,319 S	*	12/2008	Miwa et al.	D12/110
D626,036 S	*	10/2010	Yamazumi et al.	D12/110
D635,060 S	*	3/2011	Ota	D12/110
D637,523 S	*	5/2011	Sugimoto et al.	D12/110

OTHER PUBLICATIONS

Victory Motorcycle on pp. 1 and 2 of 2. © 1996. [Retrieved on Aug. 15, 2012]. Retrieved from the Internet <URL: <http://www.ozebook.com/victory.htm>>.*
Photographs of the Polaris Kingpin motorcycle, model year 2012, copyright 2012, 6 pages.

* cited by examiner

Primary Examiner — Susan M Lee

Assistant Examiner — Linda G Brooks

(74) *Attorney, Agent, or Firm* — Faegre Baker Daniels LLP

(57) **CLAIM**

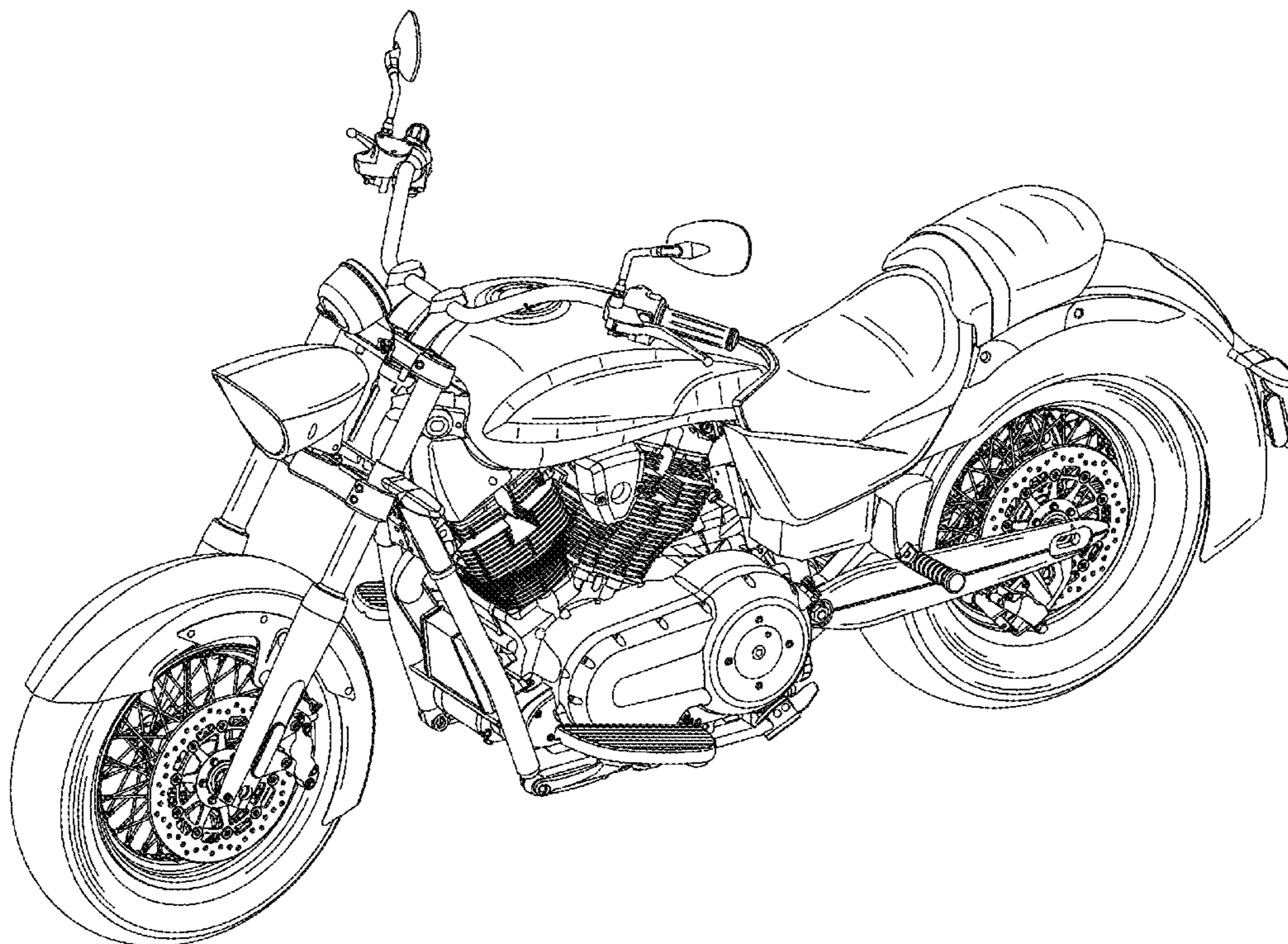
I claim the ornamental design for the motorcycle, as shown and described.

DESCRIPTION

FIG. 1 is a left front perspective view the motorcycle of the present invention;
FIG. 2 is a right front perspective view of the motorcycle of FIG. 1;
FIG. 3 is right rear perspective view of the motorcycle of FIG. 1;
FIG. 4 is a left rear perspective view of the motorcycle of FIG. 1;
FIG. 5 is a left side view of the motorcycle of FIG. 1;
FIG. 6 is a right side view of the motorcycle of FIG. 1;
FIG. 7 is a top view of the motorcycle of FIG. 1;
FIG. 8 is a front view of the motorcycle of FIG. 1;
FIG. 9 is a rear view of the motorcycle of FIG. 1; and,
FIG. 10 is an enlarged detail of the tank badge of the motorcycle of FIG. 1, which is shown on both sides of the gas tank in the figures.

The identifying V VICTORY MOTORCYCLES USA mark forming part of the claimed design is a registered trademark of Polaris Industries Inc. of Medina, Minnesota.

1 Claim, 9 Drawing Sheets



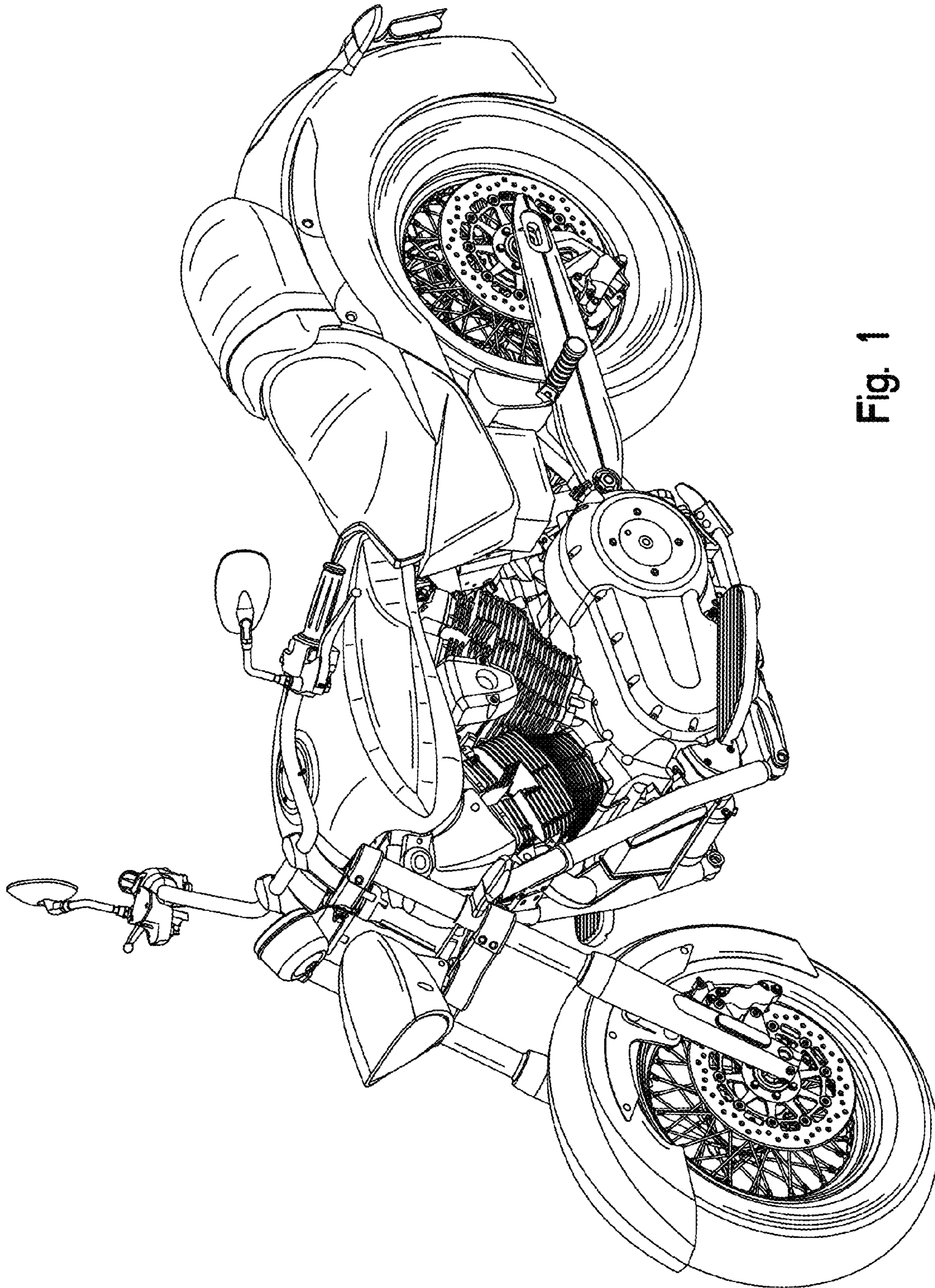


Fig. 1

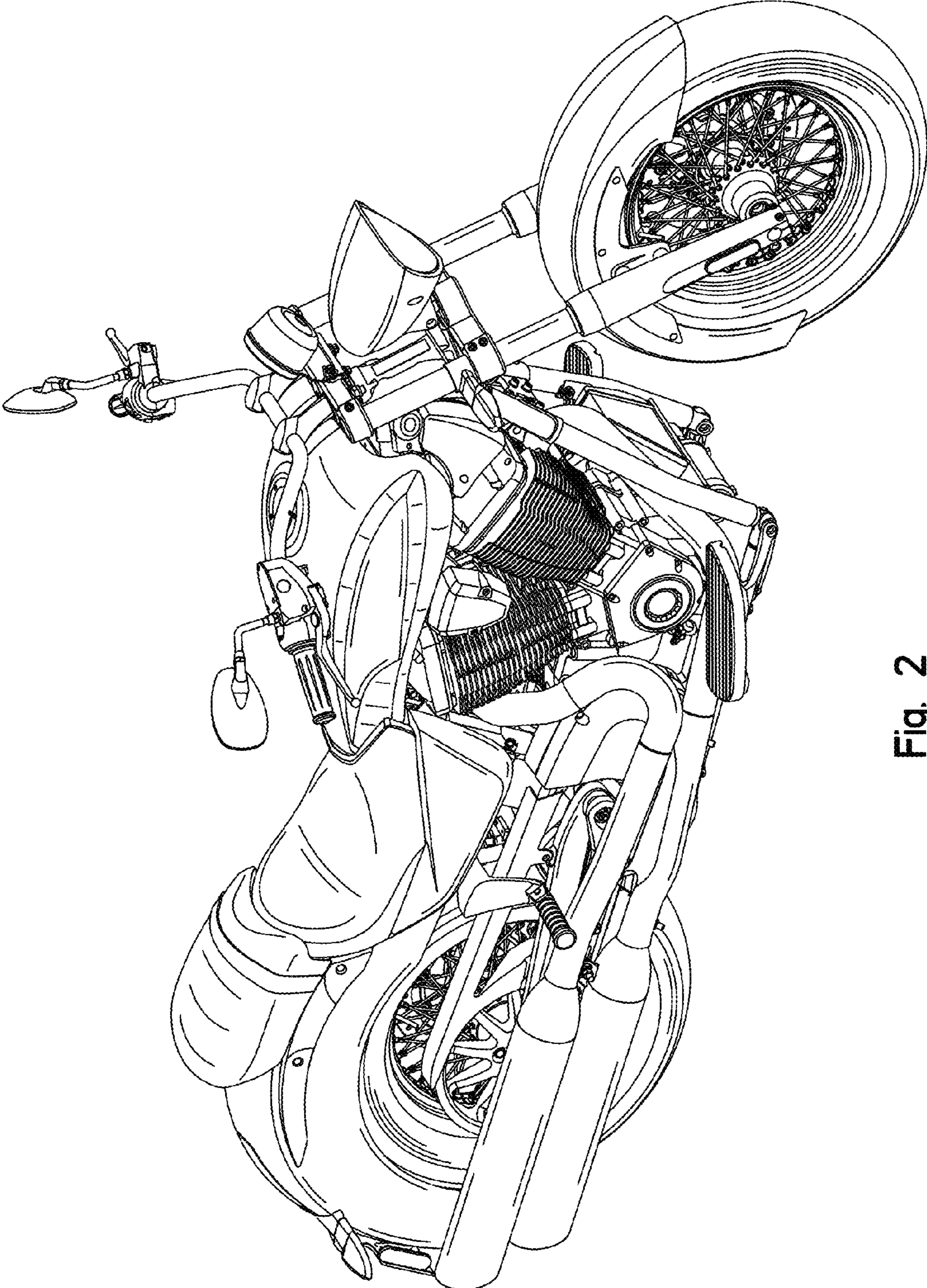


Fig. 2

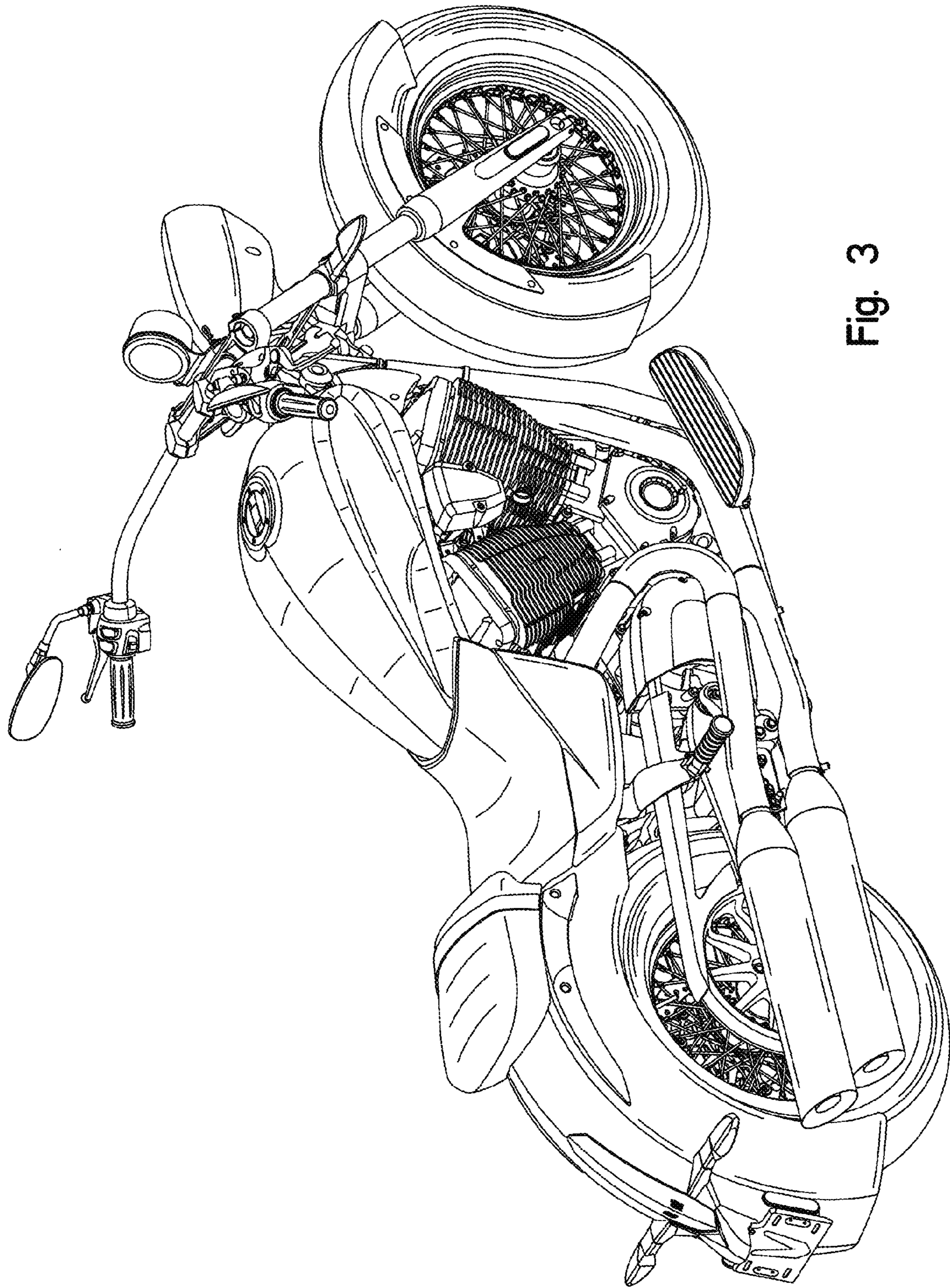


Fig. 3

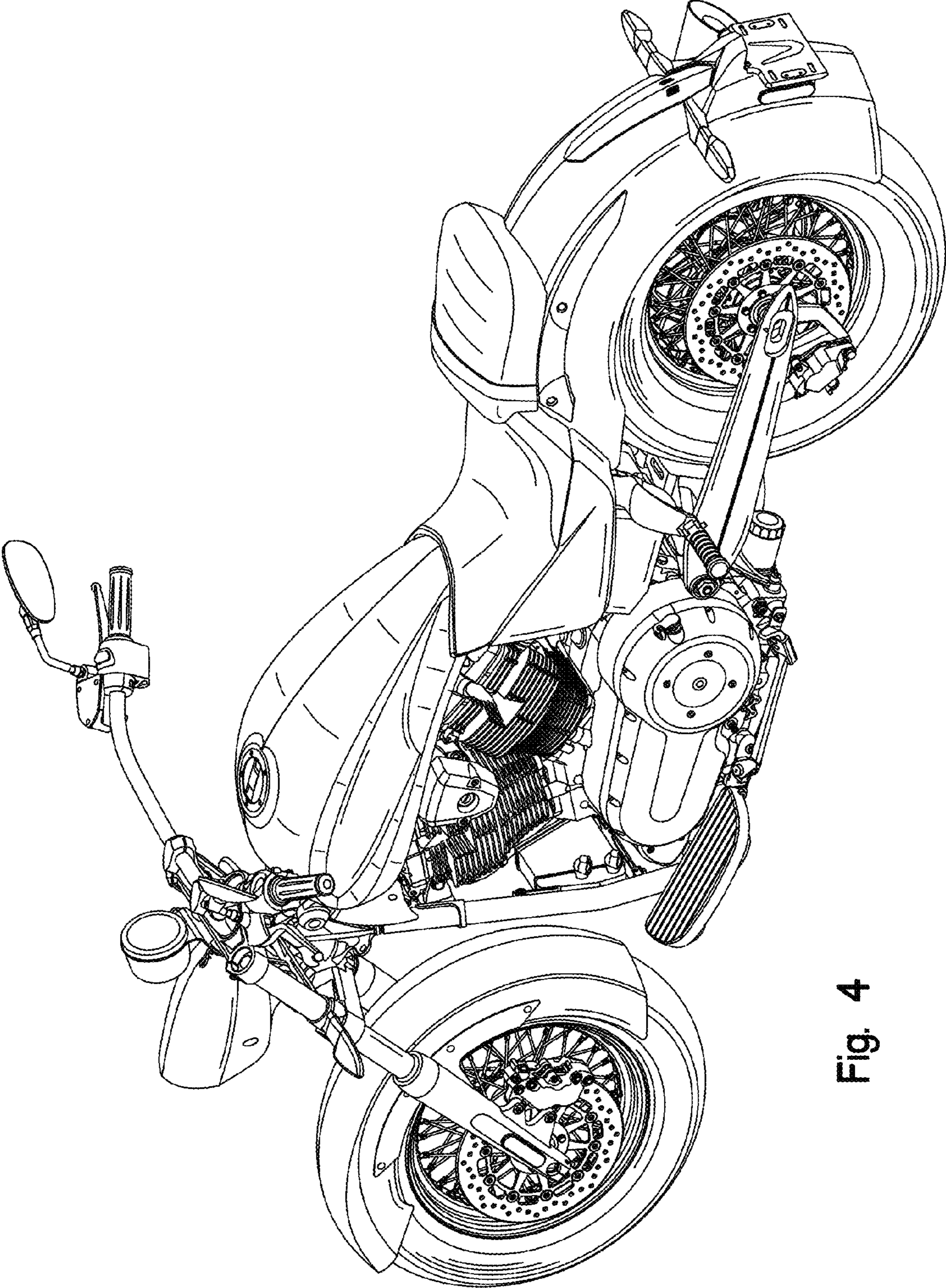


Fig. 4

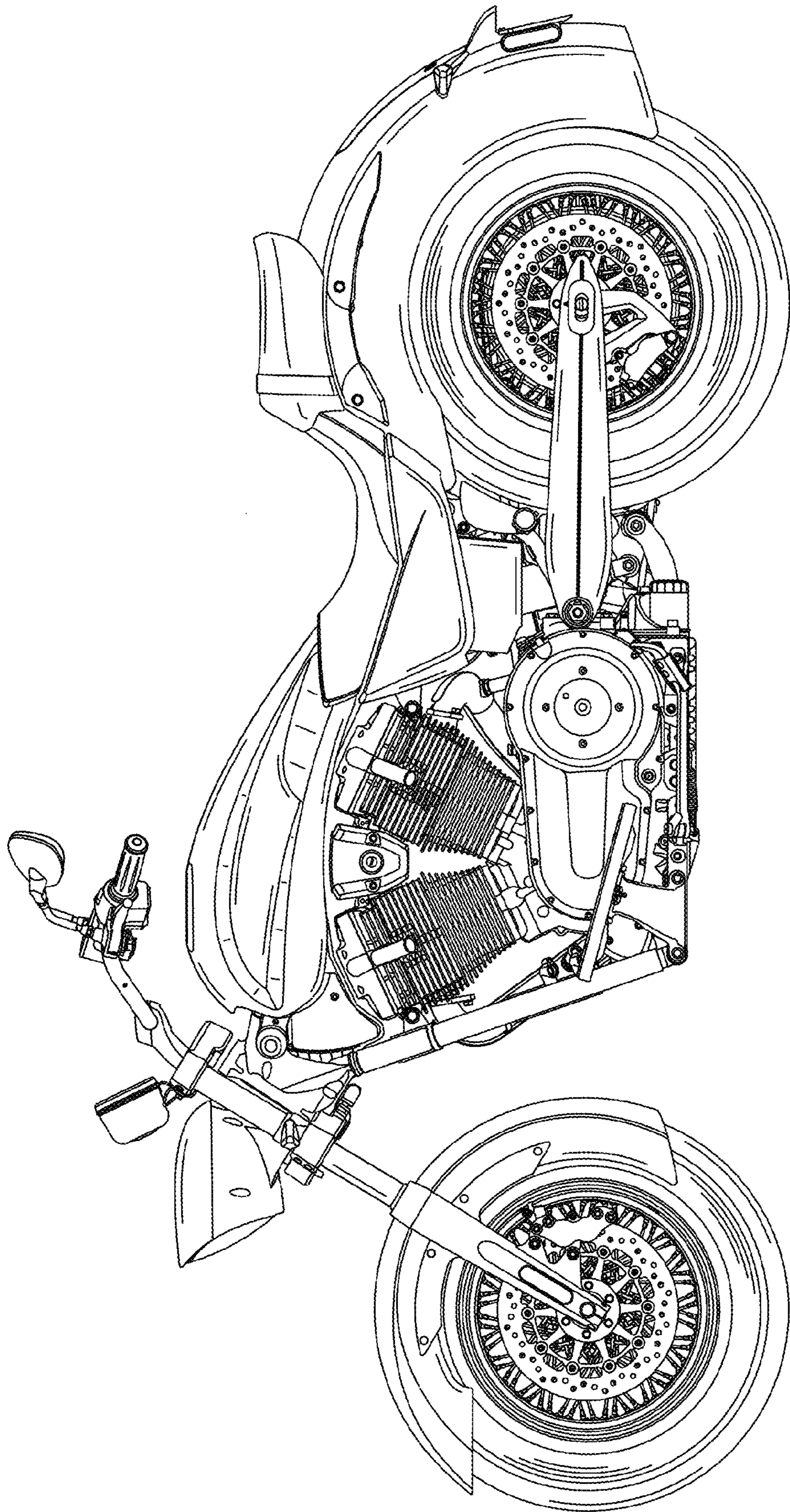


Fig. 5

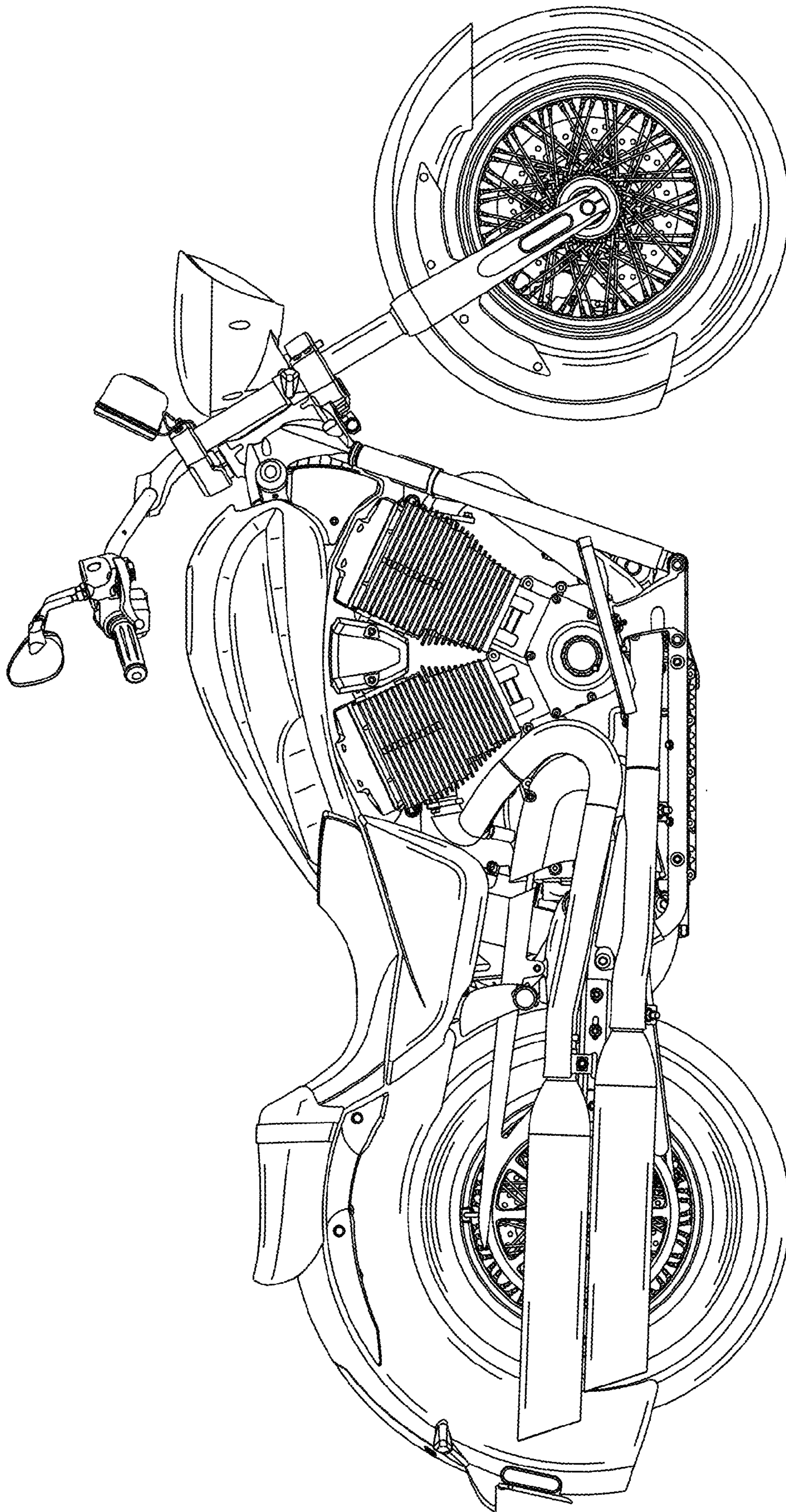


Fig. 6

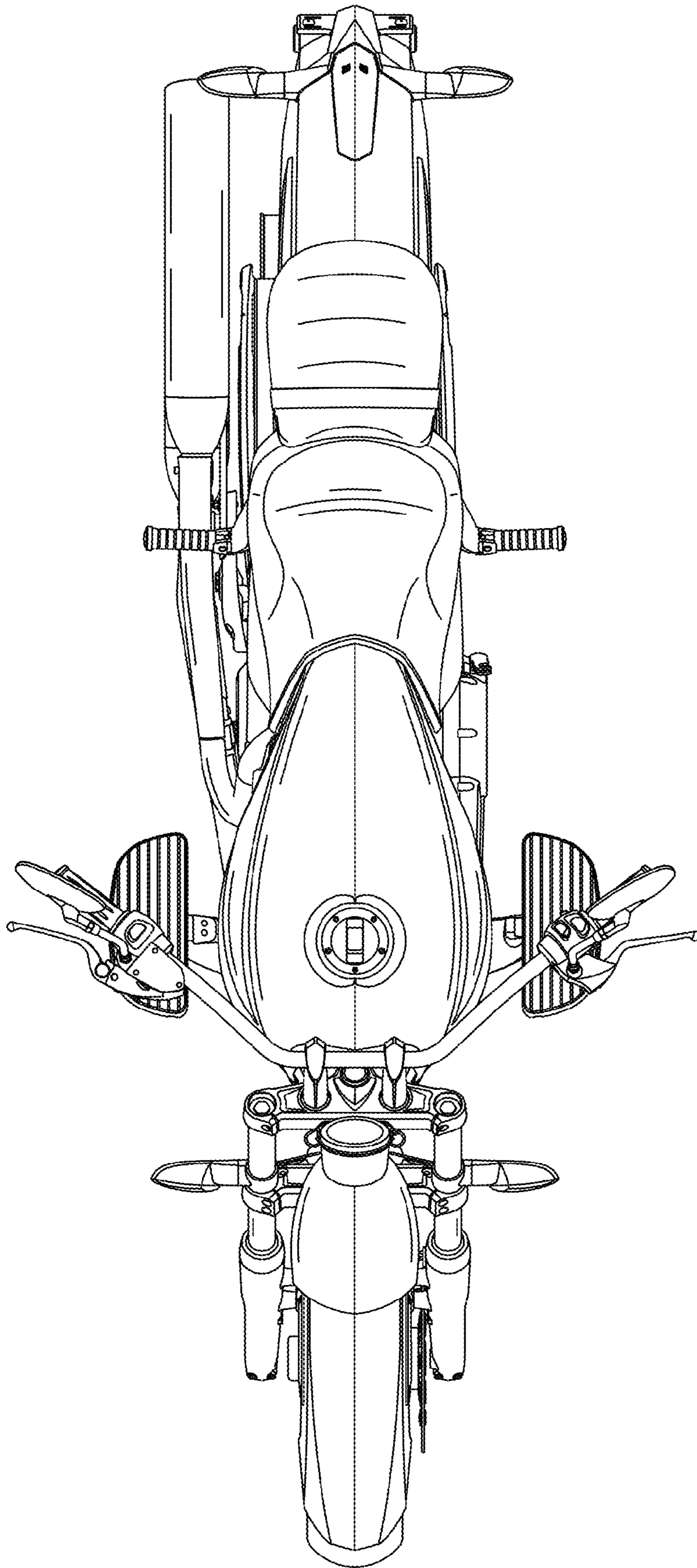


Fig. 7

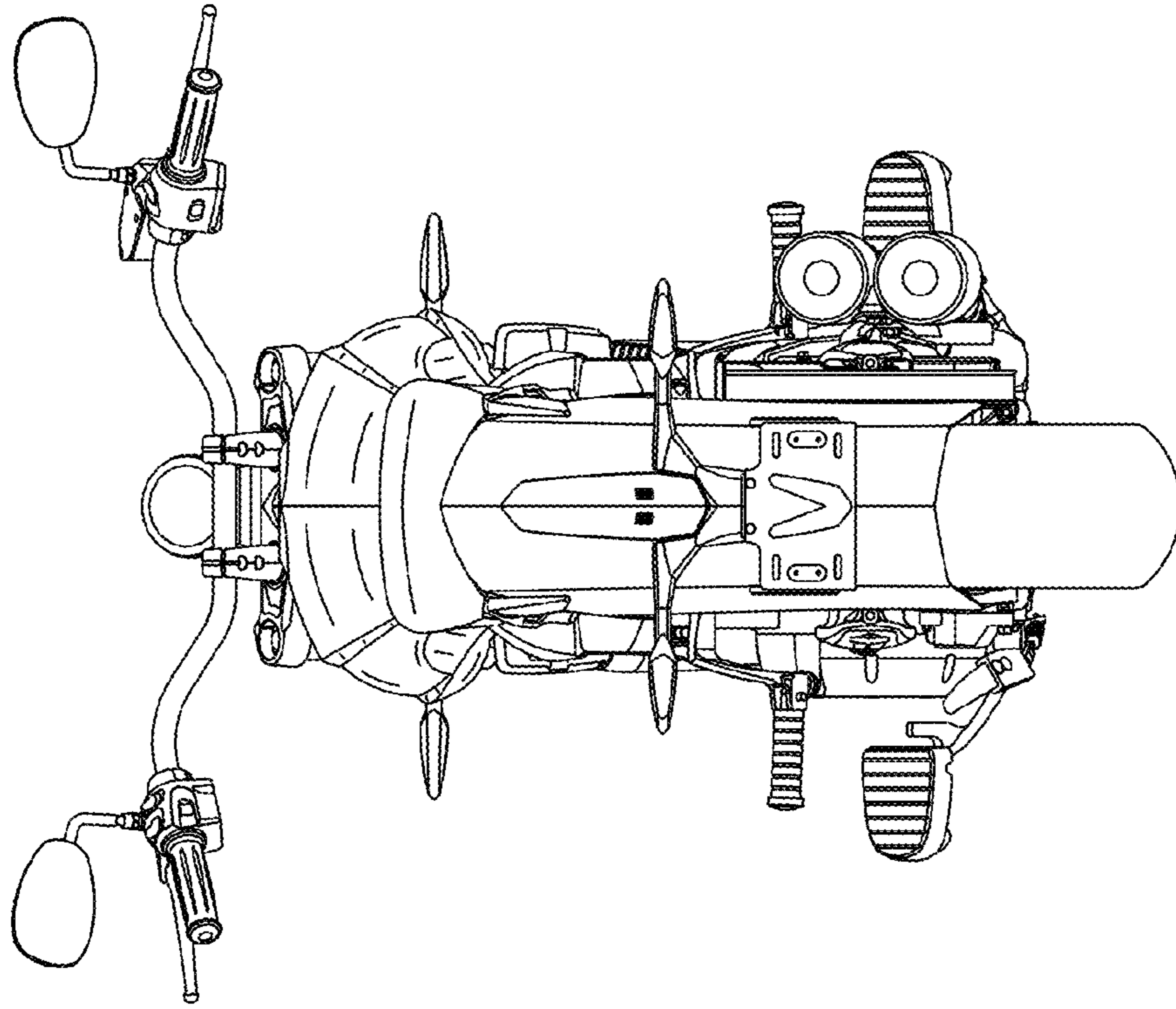


Fig. 9

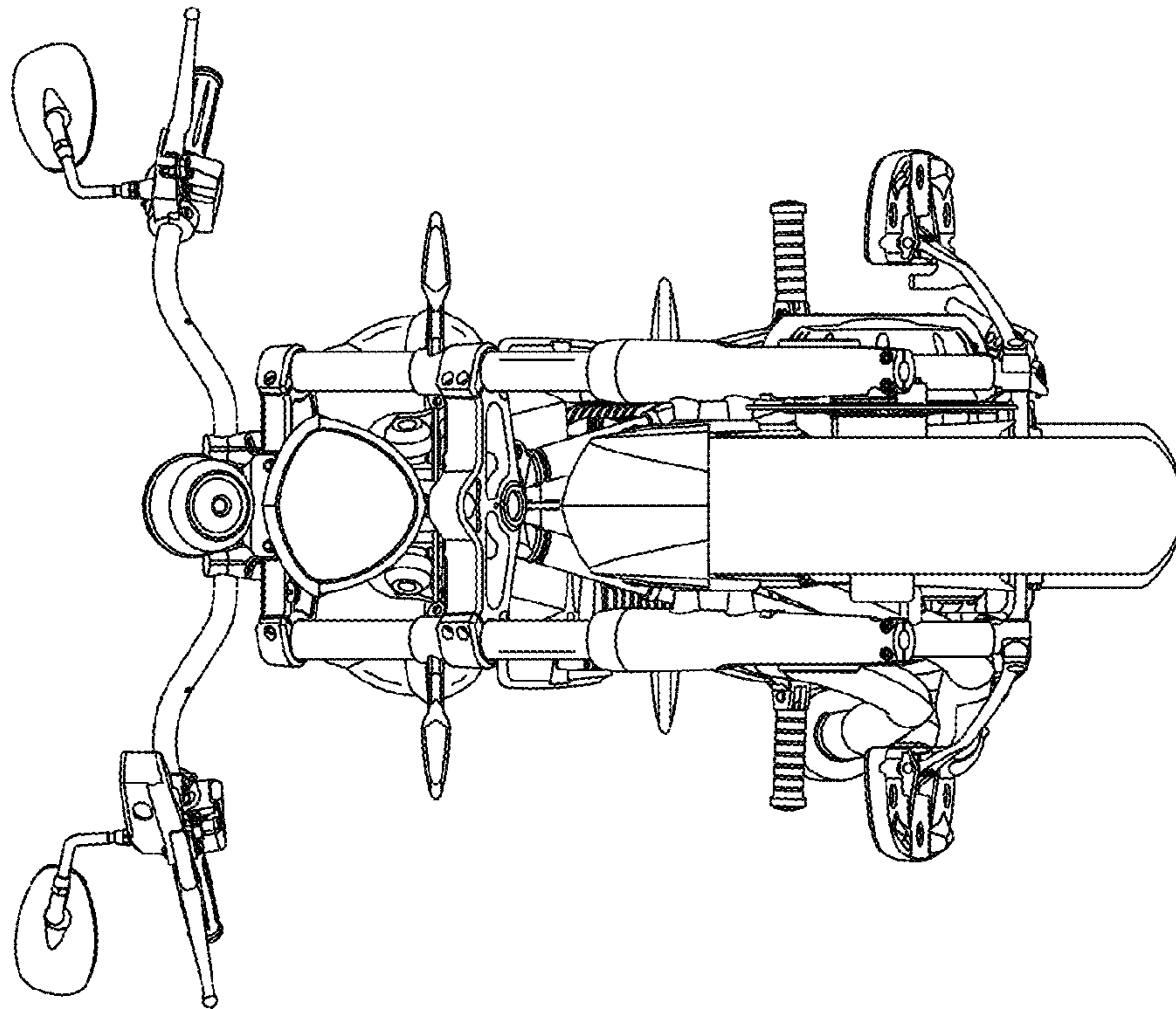


Fig. 8

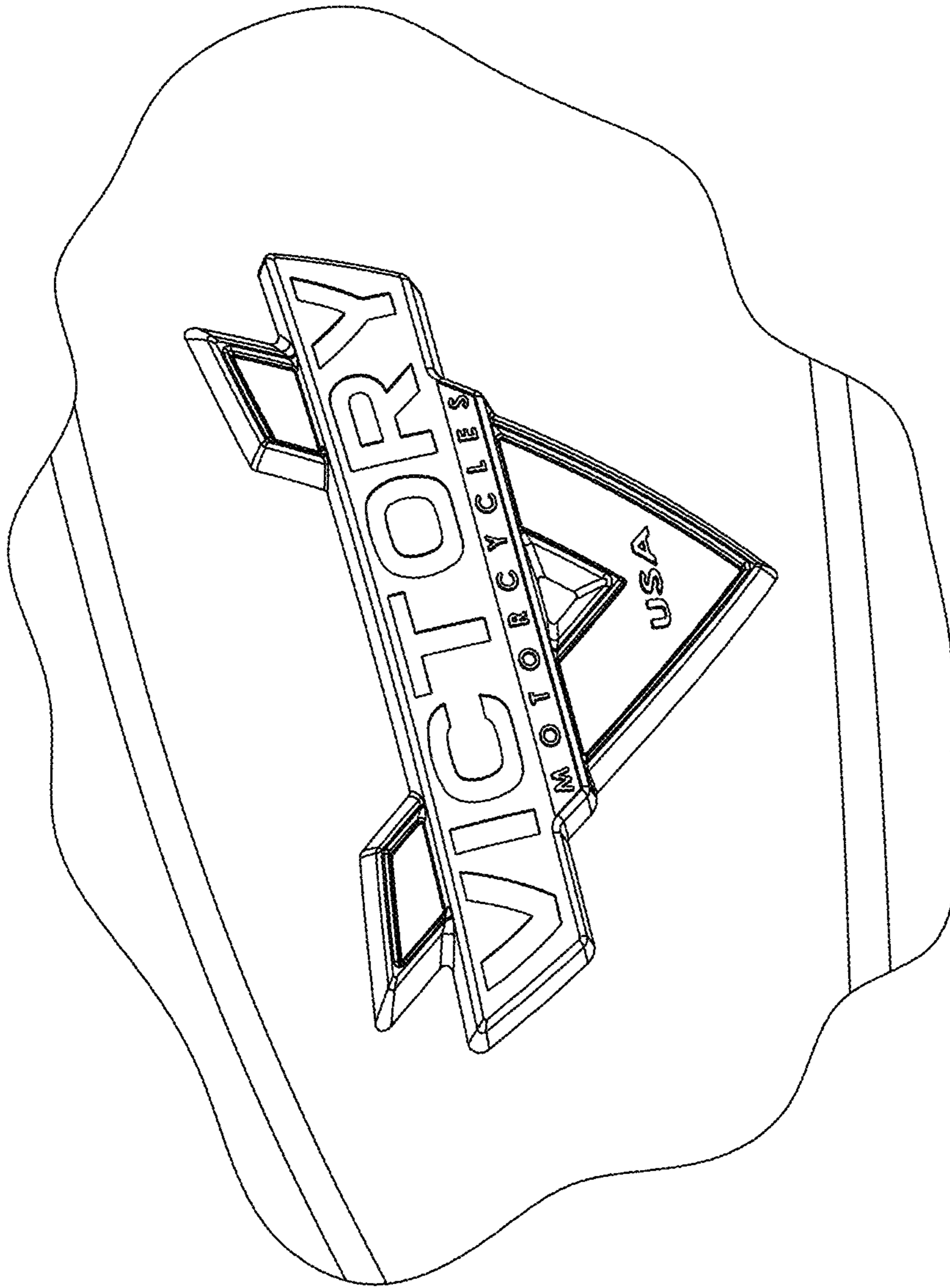


Fig. 10