



US00D683267S

(12) **United States Design Patent**  
**Cook**

(10) **Patent No.:** **US D683,267 S**

(45) **Date of Patent:** **\*\* May 28, 2013**

(54) **AUTOMOBILE**

(76) **Inventor:** **Terry Roberts Cook, Chester, NJ (US)**

(\*\*) **Term:** **14 Years**

(21) **Appl. No.:** **29/398,249**

(22) **Filed:** **Jul. 28, 2011**

(51) **LOC (9) Cl.** ..... **12-08**

(52) **U.S. Cl.**  
USPC ..... **D12/92**

(58) **Field of Classification Search** ..... D12/86,  
D12/90-92; D21/424, 433, 434; 296/181.1,  
296/181.5

See application file for complete search history.

(56) **References Cited**

**U.S. PATENT DOCUMENTS**

1,992,496	A	*	2/1935	Marmon et al.	.....	180/54.1
2,028,184	A	*	1/1936	Bergholt	.....	296/181.5
D106,451	S	*	10/1937	Oswald	.....	D12/165
D107,549	S	*	12/1937	Rogers	.....	D12/92
D117,340	S	*	10/1939	Cadwallader	.....	D12/165

D185,402	S	*	6/1959	Victor	.....	D12/165
D353,564	S	*	12/1994	Verduyn et al.	.....	D12/92
D381,937	S	*	8/1997	Forbes-Robinson	.....	D12/92
D551,595	S	*	9/2007	Newton	.....	D12/91
D569,309	S	*	5/2008	Gueorguiev	.....	D12/92
D626,889	S	*	11/2010	Shepard	.....	D12/92

\* cited by examiner

*Primary Examiner* — Melody N Brown

(74) *Attorney, Agent, or Firm* — Sinoirca, LLC

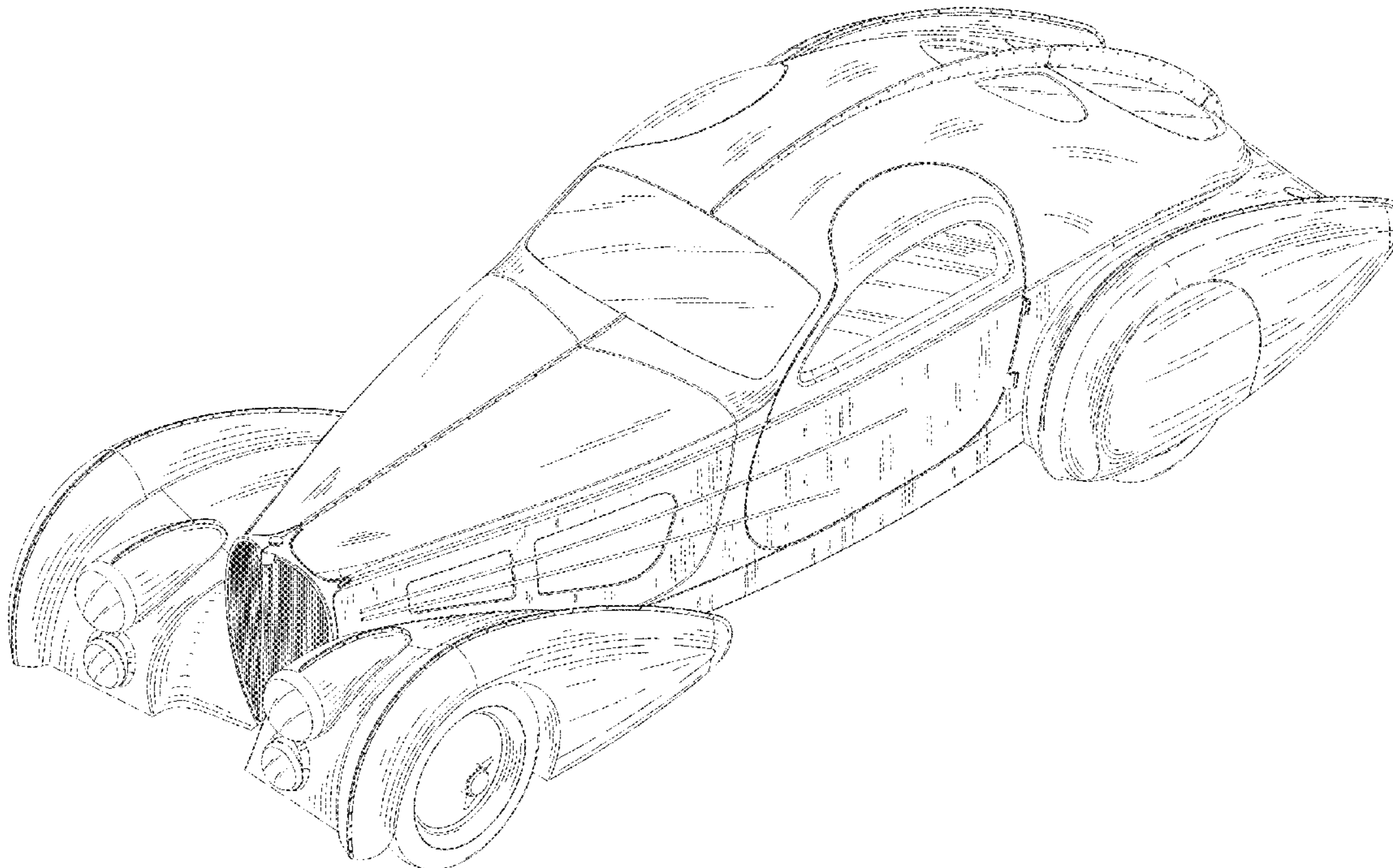
(57) **CLAIM**

The ornamental design for an automobile, as shown and described.

**DESCRIPTION**

FIG. 1 is a perspective view of an automobile;  
FIG. 2 is a front elevational view thereof;  
FIG. 3 is a rear elevational view thereof;  
FIG. 4 is a right-side elevational view thereof, the left-side  
elevational view being a mirror image; and,  
FIG. 5 is a top plan view thereof, the bottom plan view being  
unornamented.

**1 Claim, 4 Drawing Sheets**



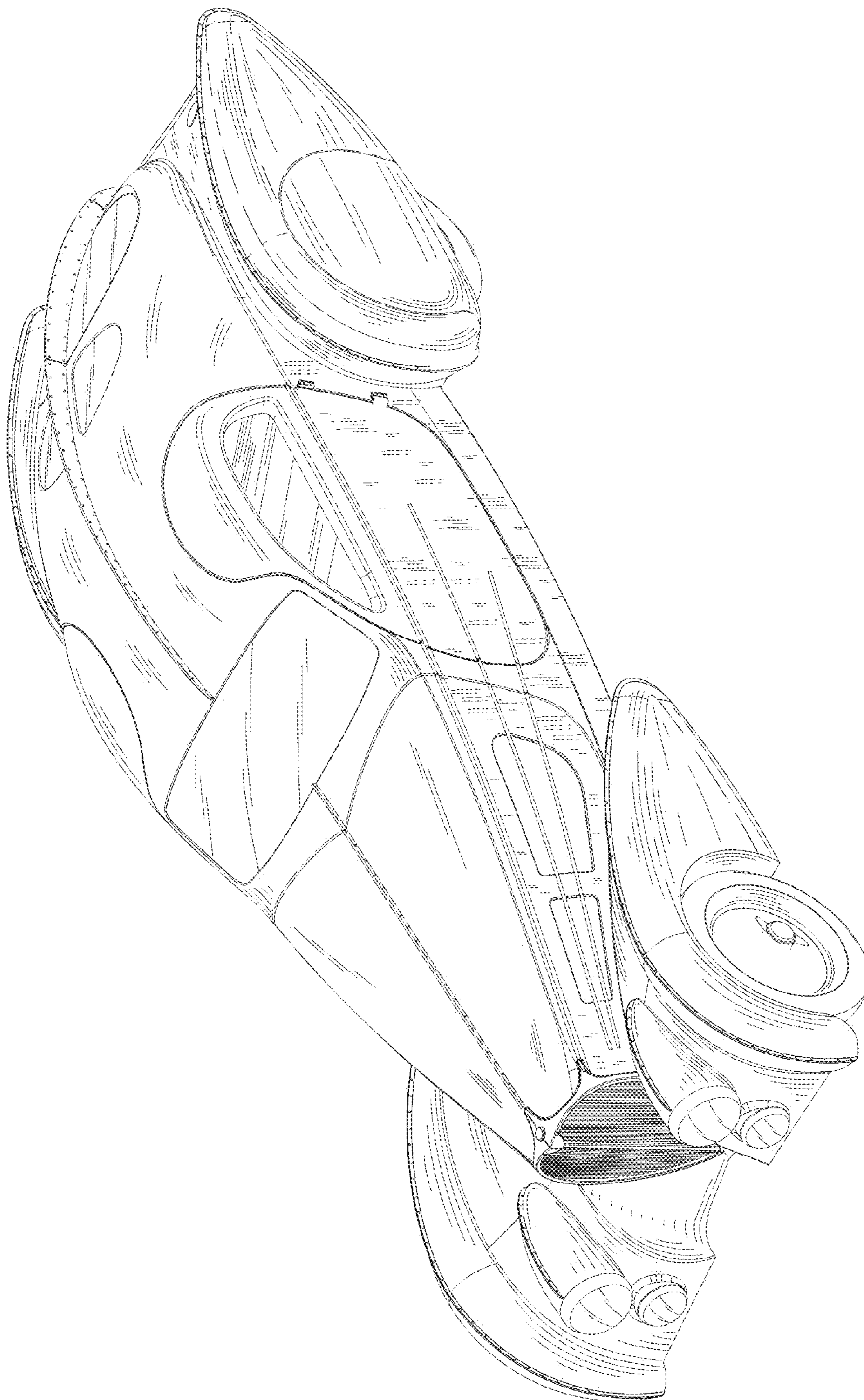


FIG. 1

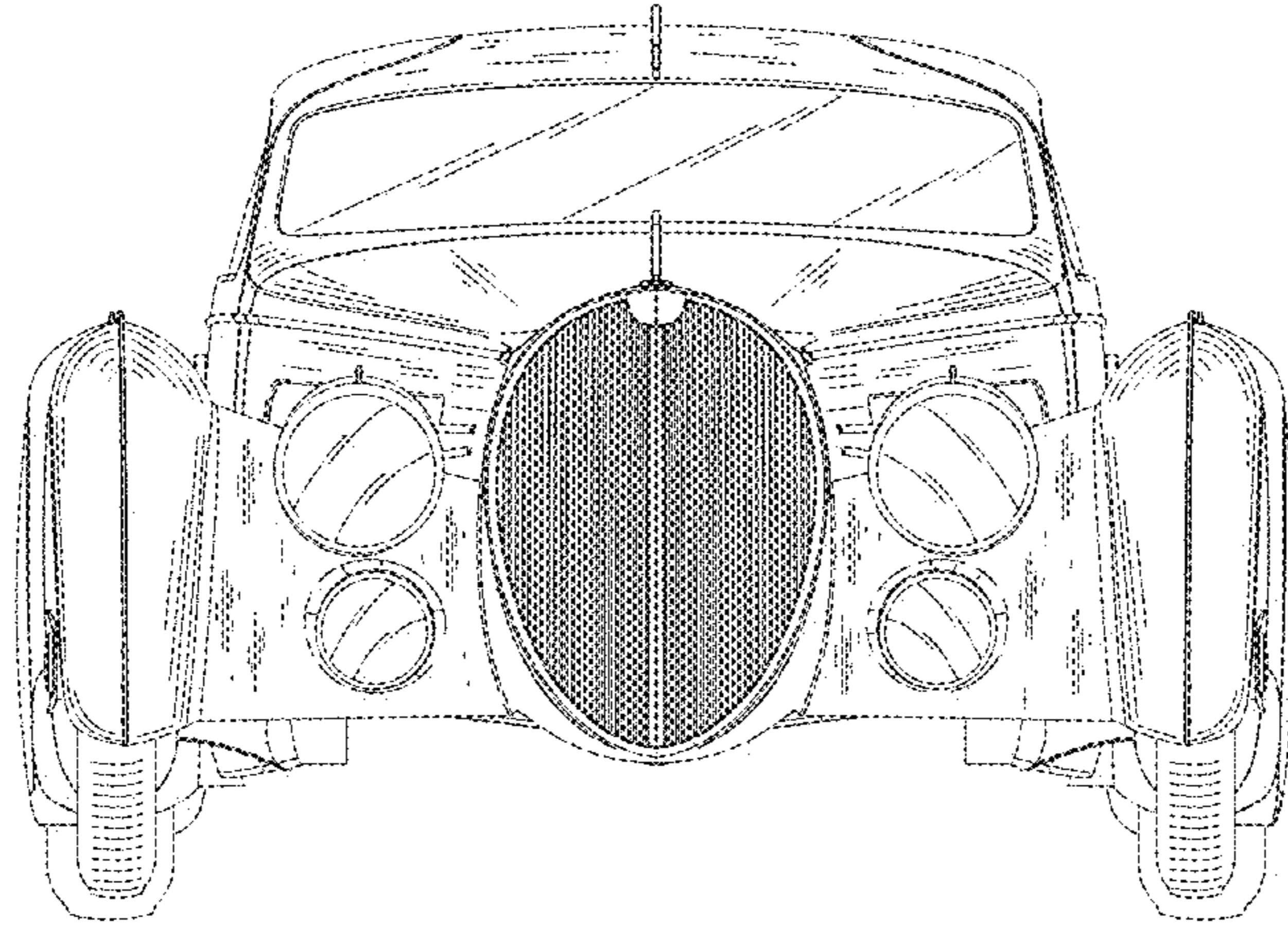


FIG. 2

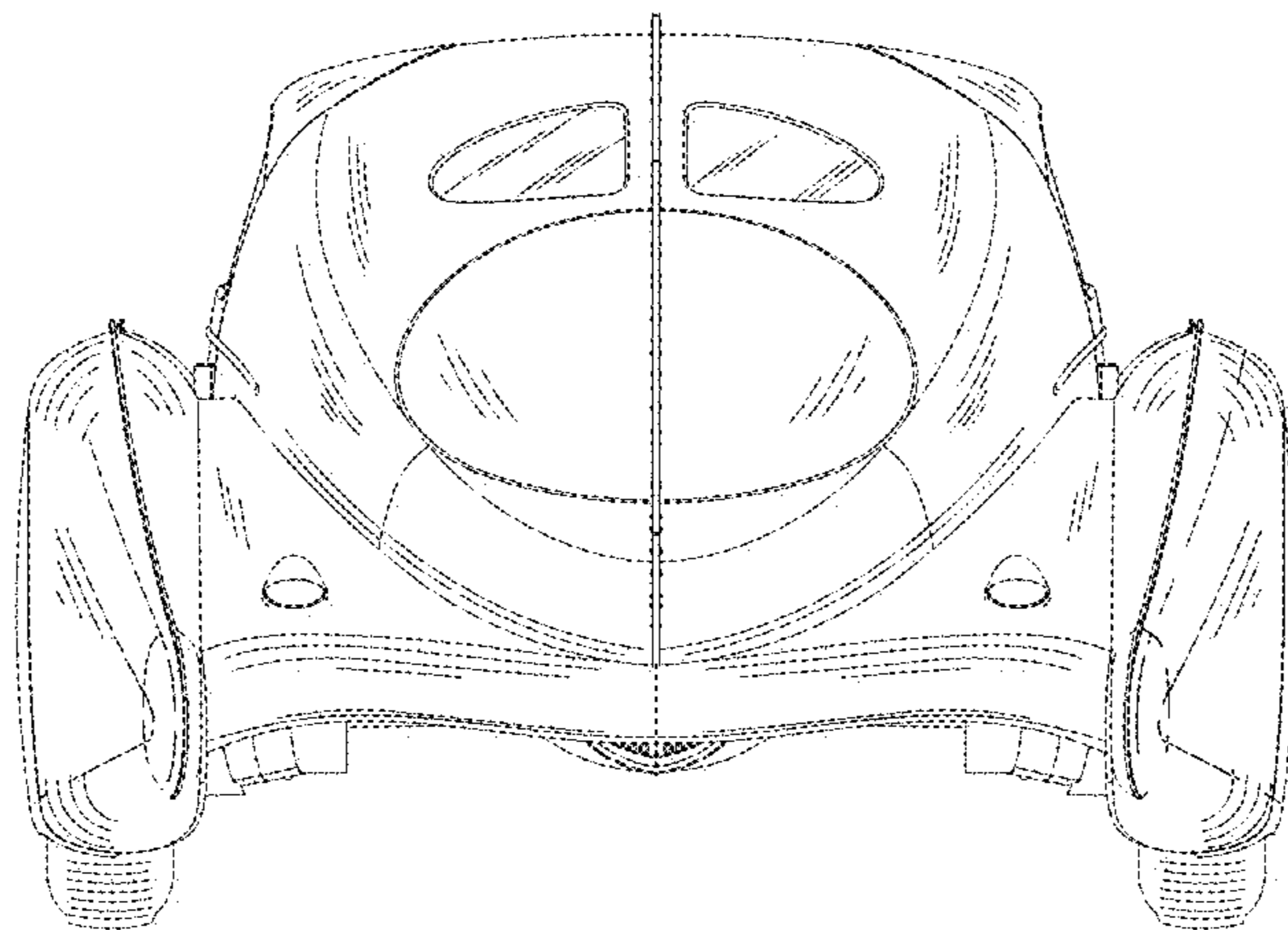


FIG. 3

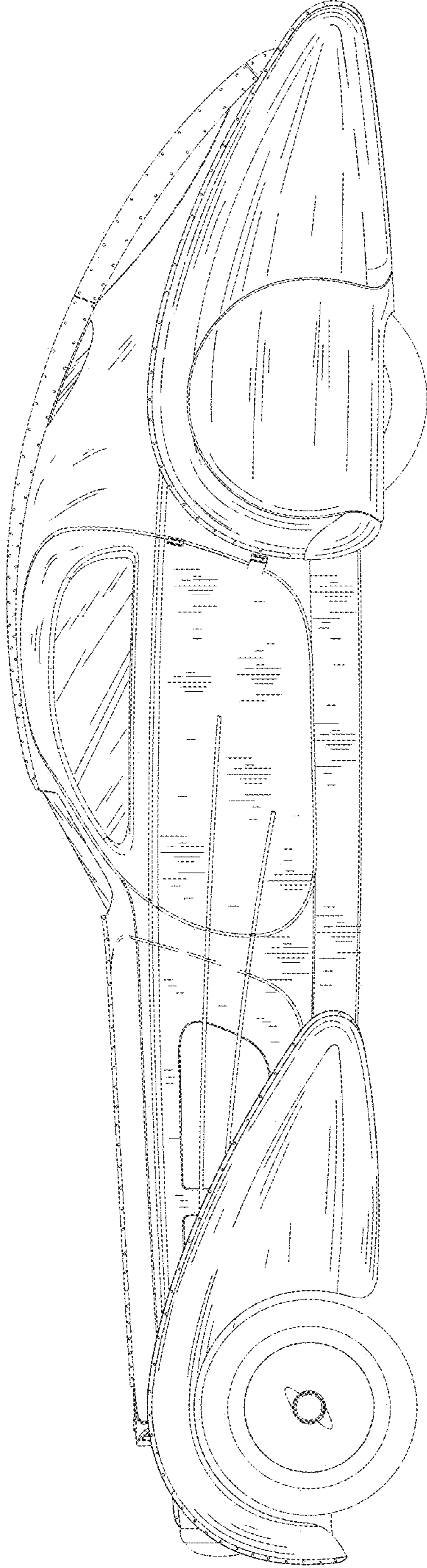


FIG. 4

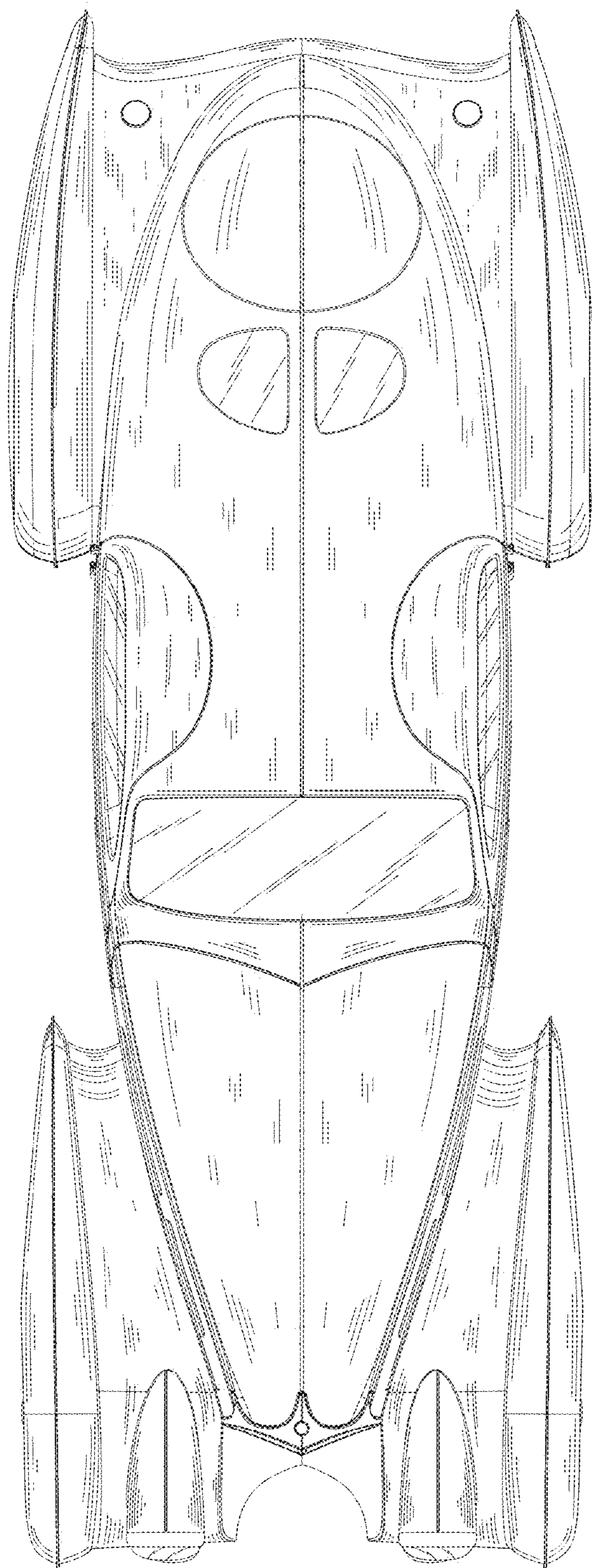


FIG. 5