



US00D683266S

(12) **United States Design Patent**
Bischoff et al.

(10) **Patent No.:** **US D683,266 S**

(45) **Date of Patent:** **** May 28, 2013**

(54) **MOTOR VEHICLE**

(75) Inventors: **Klaus Bischoff**, Evessen (DE); **Marc Lichte**, Braunschweig (DE); **Christian Lesmana**, Hannover (DE); **Nisan Kucam**, Wolfsburg (DE)

(73) Assignee: **Volkswagen AG**, Wolfsburg (DE)

(**) **Term:** **14 Years**

(21) **Appl. No.:** **29/397,135**

(22) **Filed:** **Jul. 12, 2011**

(51) **LOC (9) Cl.** **12-08**

(52) **U.S. Cl.**
USPC **D12/92**

(58) **Field of Classification Search**
USPC D12/86, 90-92, 99; D21/424, 433,
D21/434; 296/181.1, 181.5
See application file for complete search history.

(56) **References Cited**

U.S. PATENT DOCUMENTS

D380,421 S *	7/1997	Hoard	D12/91
D385,828 S *	11/1997	Mays	D12/92
D430,507 S *	9/2000	Warkuss	D12/92
D444,102 S *	6/2001	Guillaume et al.	D12/91
D533,480 S *	12/2006	Bischoff et al.	D12/91
D551,121 S *	9/2007	Schreyer et al.	D12/92
D552,016 S *	10/2007	Bischoff et al.	D12/92
D648,654 S *	11/2011	Bischoff et al.	D12/92

* cited by examiner

Primary Examiner — Melody N Brown

(74) *Attorney, Agent, or Firm* — Lucas & Mercanti, LLP;
Klaus P. Stoffel

(57) **CLAIM**

The ornamental design for a motor vehicle, as shown and described.

DESCRIPTION

FIG. 1 is a front, right side perspective view of the motor vehicle of the present invention with the convertible top down;

FIG. 2 is a front, left side perspective view thereof;

FIG. 3 is a rear, right side perspective view thereof;

FIG. 4 is a rear, left side perspective view thereof;

FIG. 5 is a right side view thereof;

FIG. 6 is a left side view thereof;

FIG. 7 is a front view thereof;

FIG. 8 is a rear view thereof;

FIG. 9 is a top view thereof;

FIG. 10 is a bottom view thereof;

FIG. 11 is a front, right side perspective view of the motor vehicle of the present invention with the convertible top up;

FIG. 12 is a front, left side perspective view thereof;

FIG. 13 is a rear, right side perspective view thereof;

FIG. 14 is a rear, left side perspective view thereof;

FIG. 15 is a right side view thereof;

FIG. 16 is a left side view thereof;

FIG. 17 is a front view thereof;

FIG. 18 is a rear view thereof; and,

FIG. 19 is a top view thereof.

1 Claim, 10 Drawing Sheets





Fig. 1

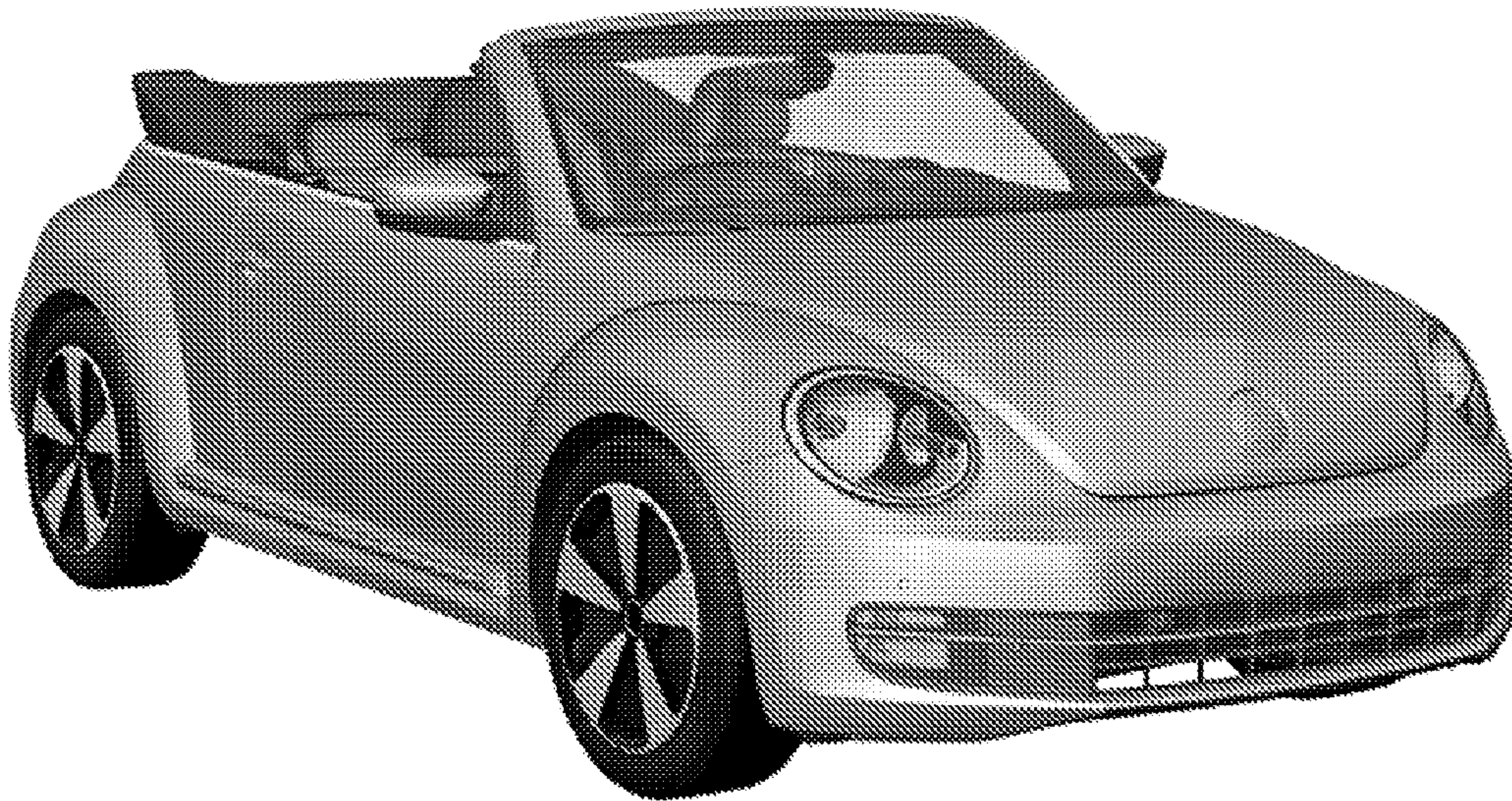


Fig. 2

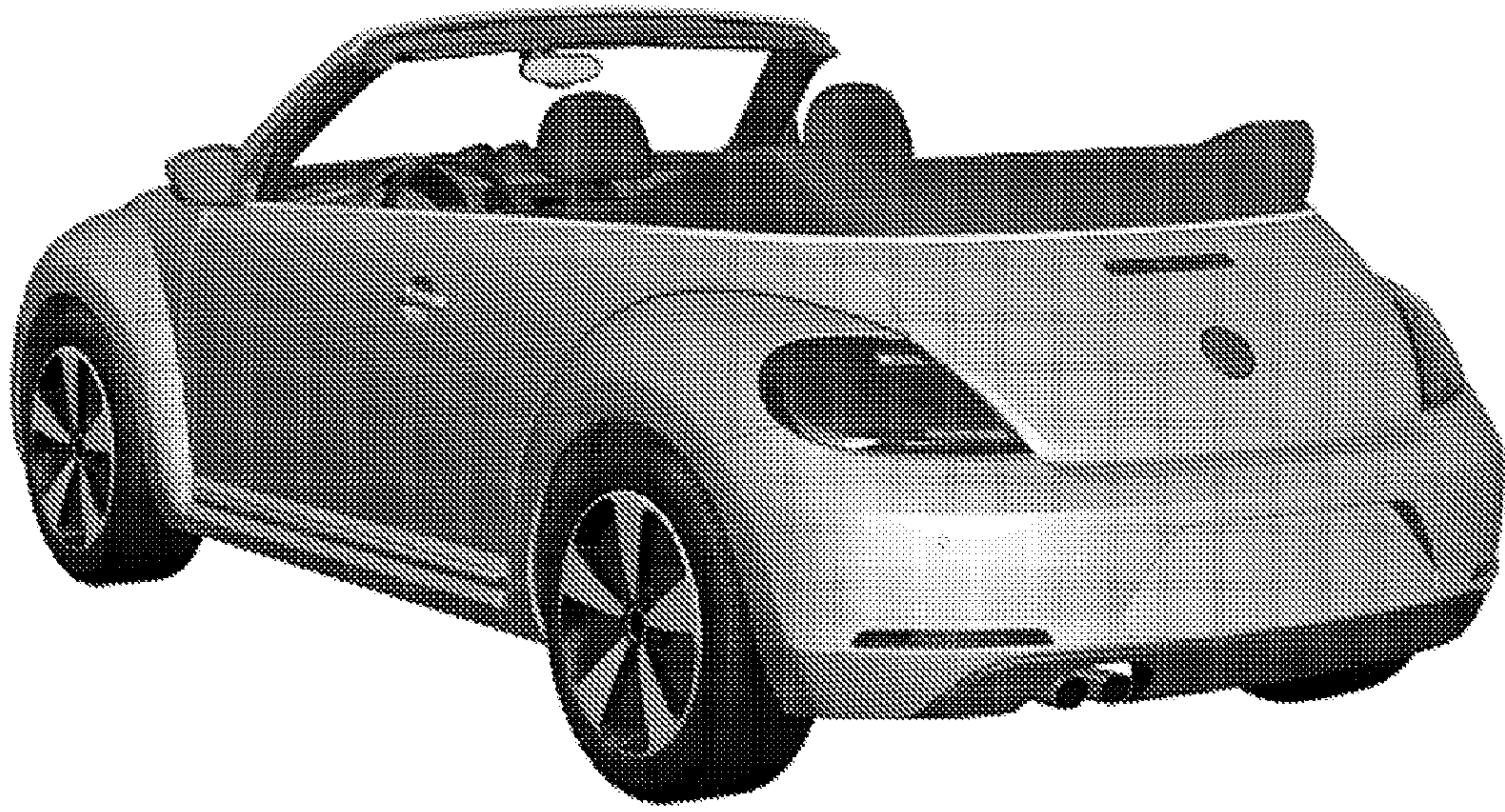


Fig. 3

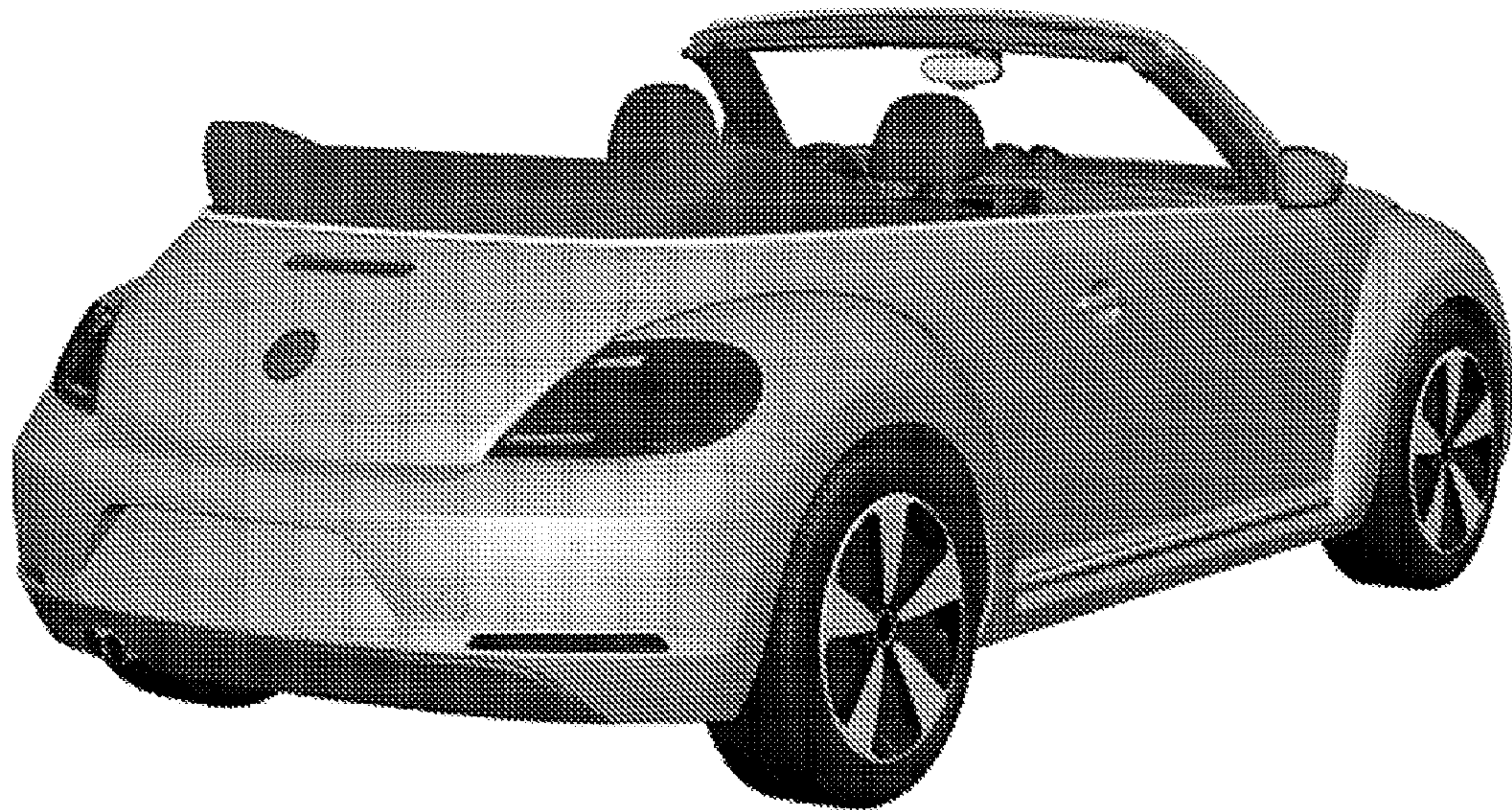


Fig. 4

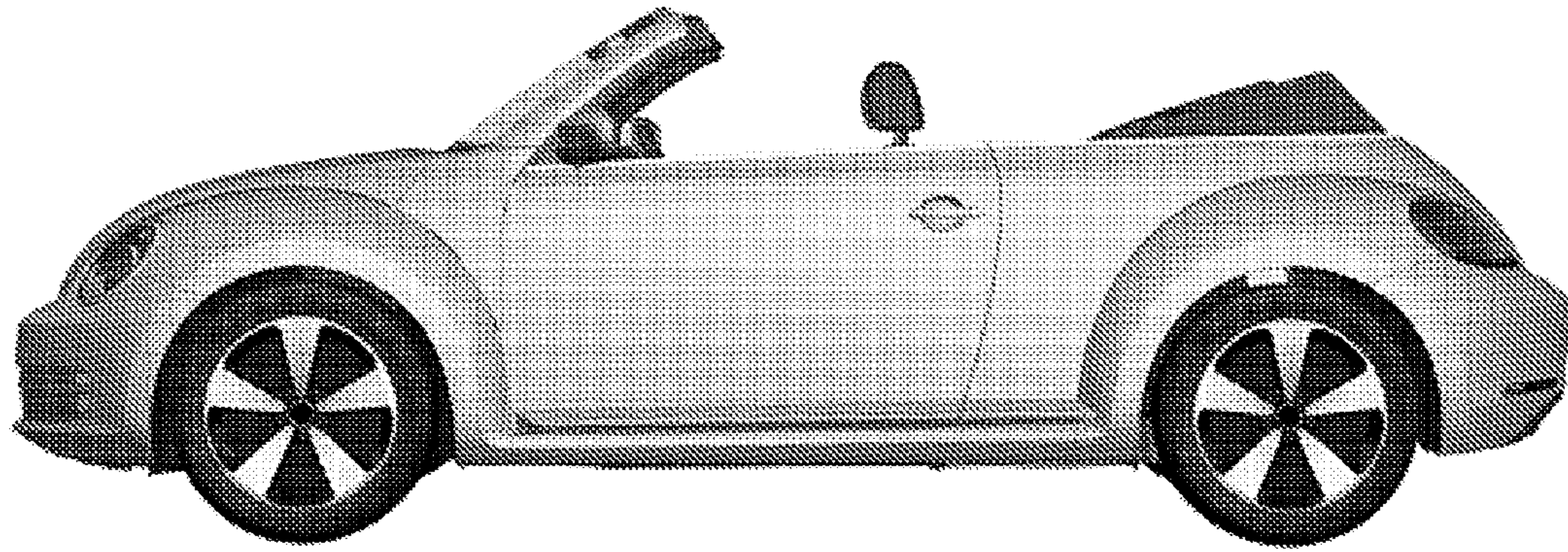


Fig. 5

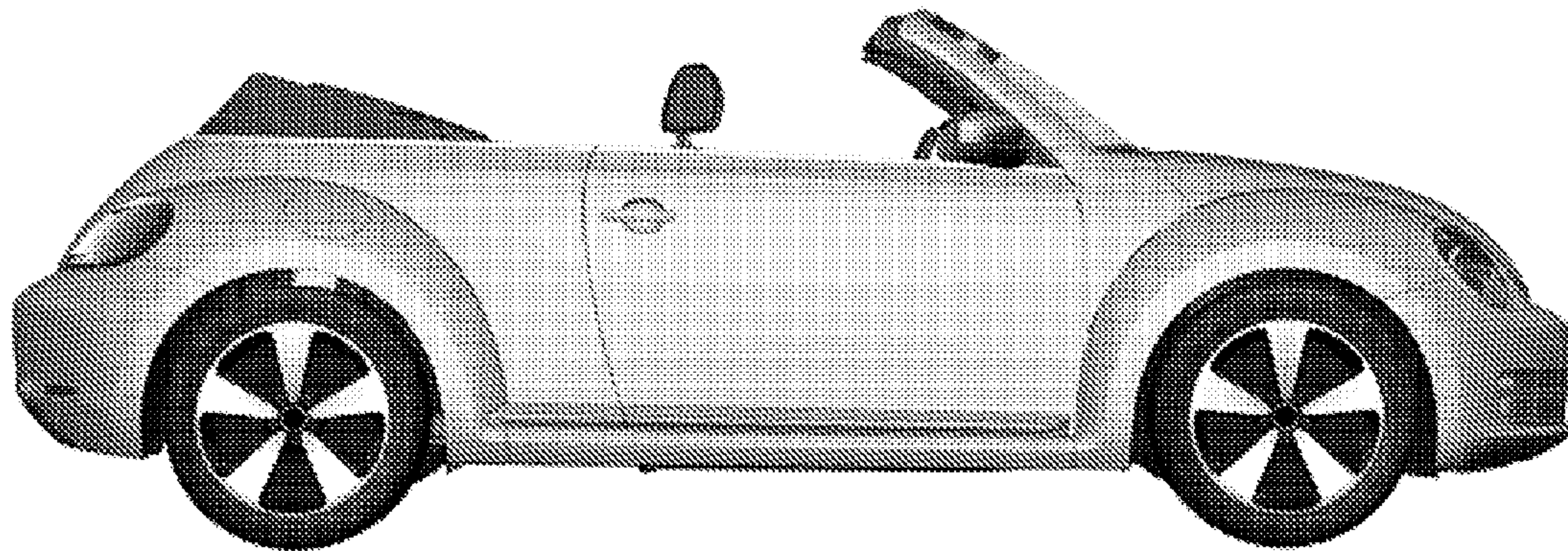


Fig. 6

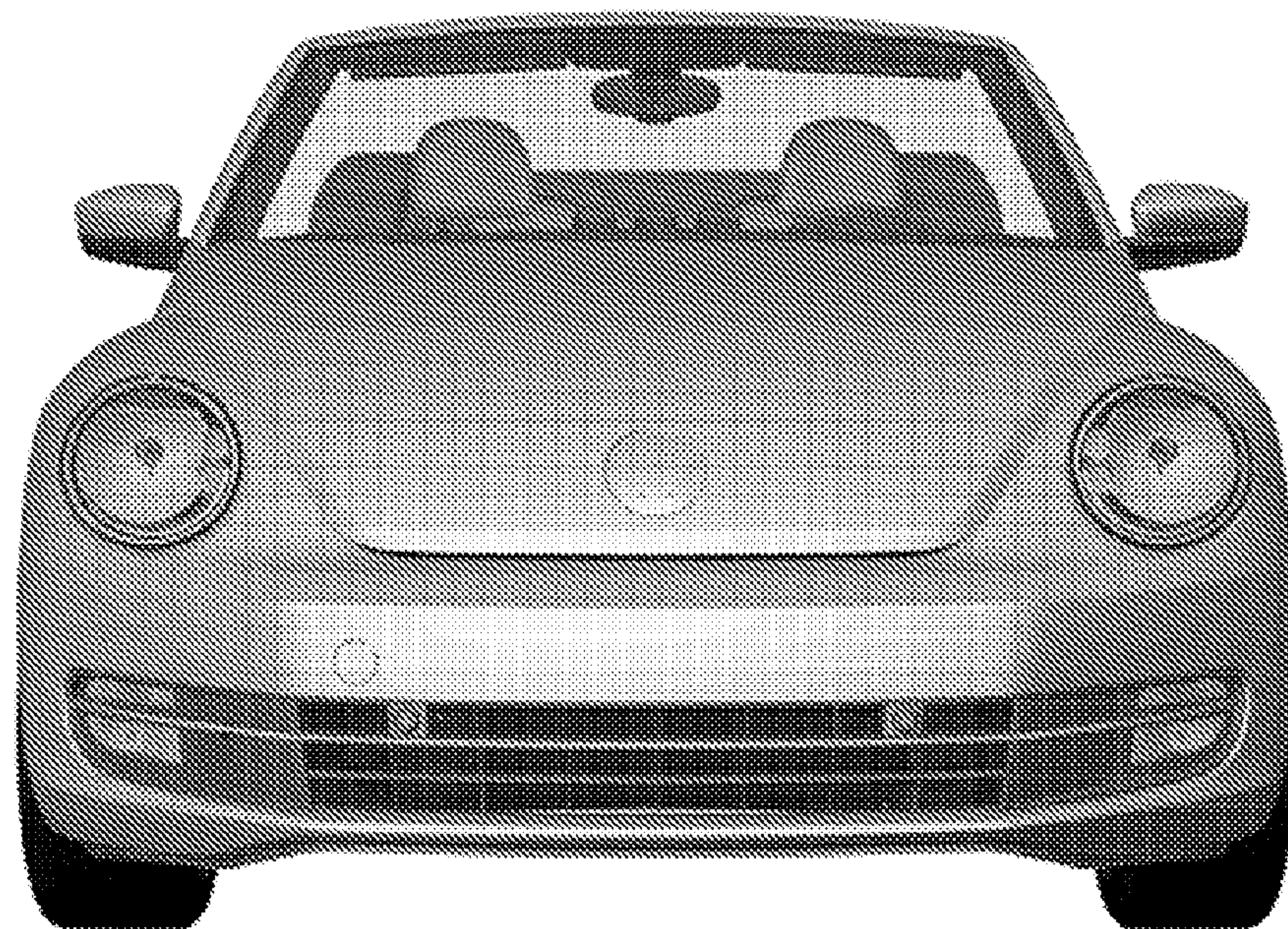


Fig. 7

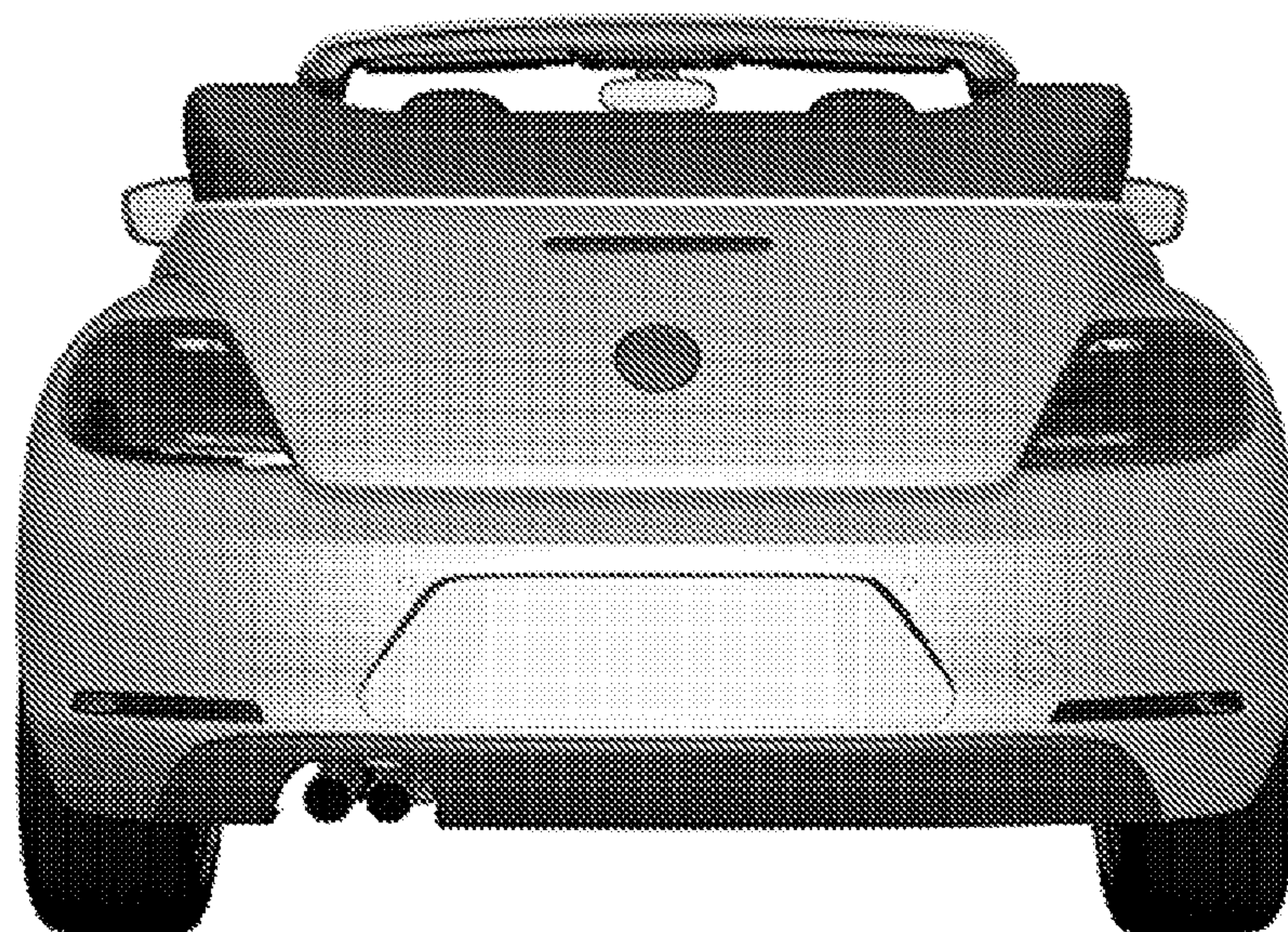


Fig. 8

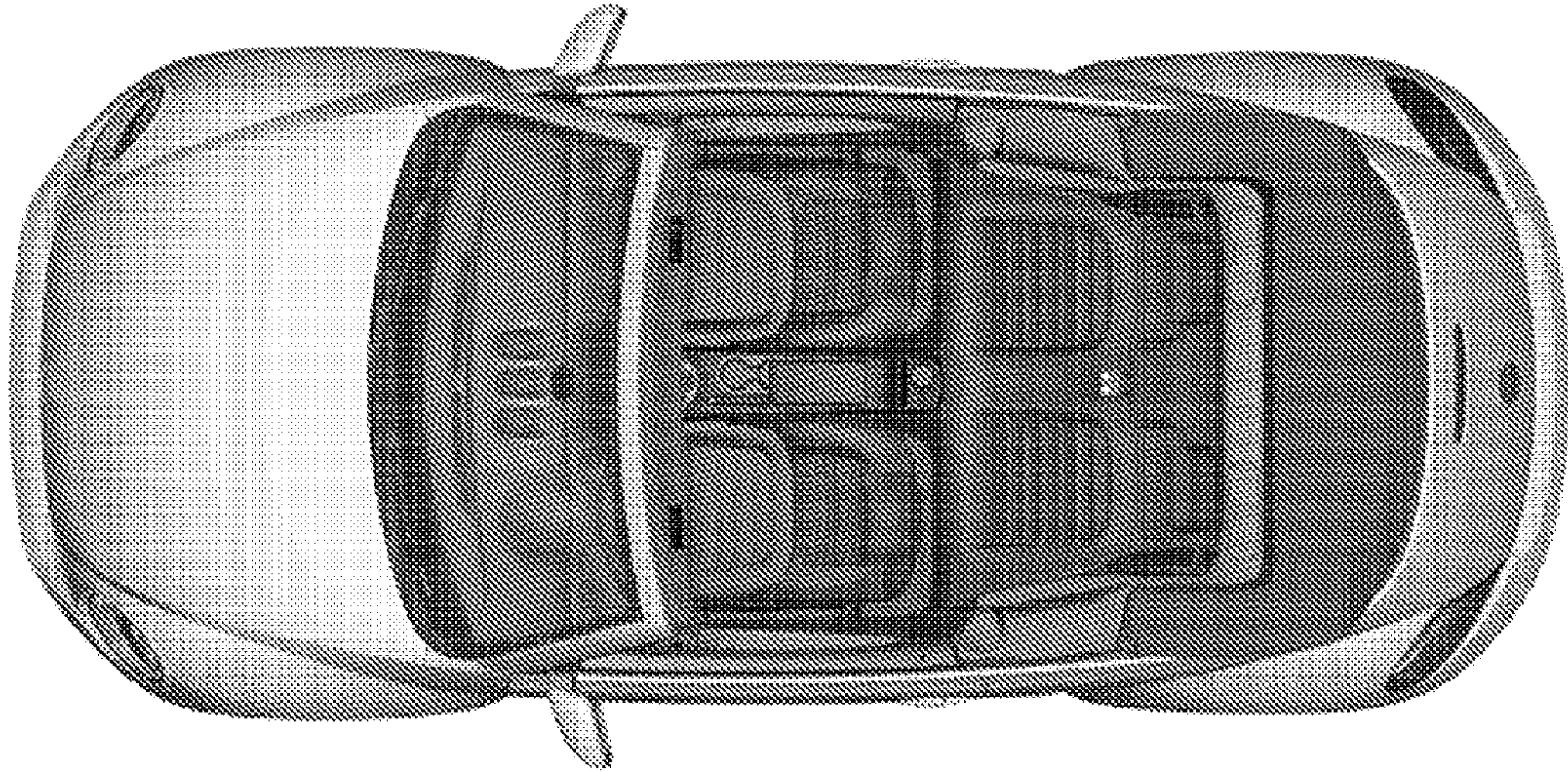


Fig. 9

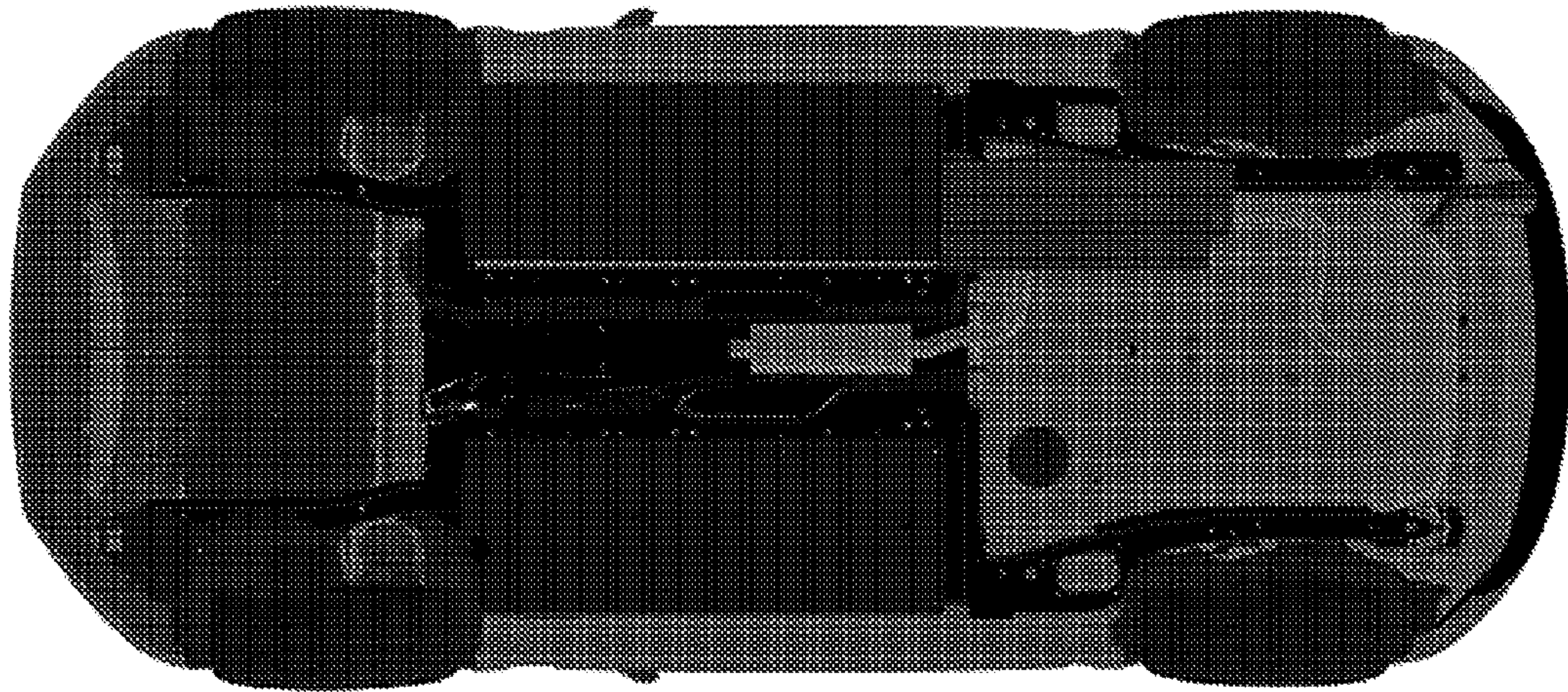


Fig. 10

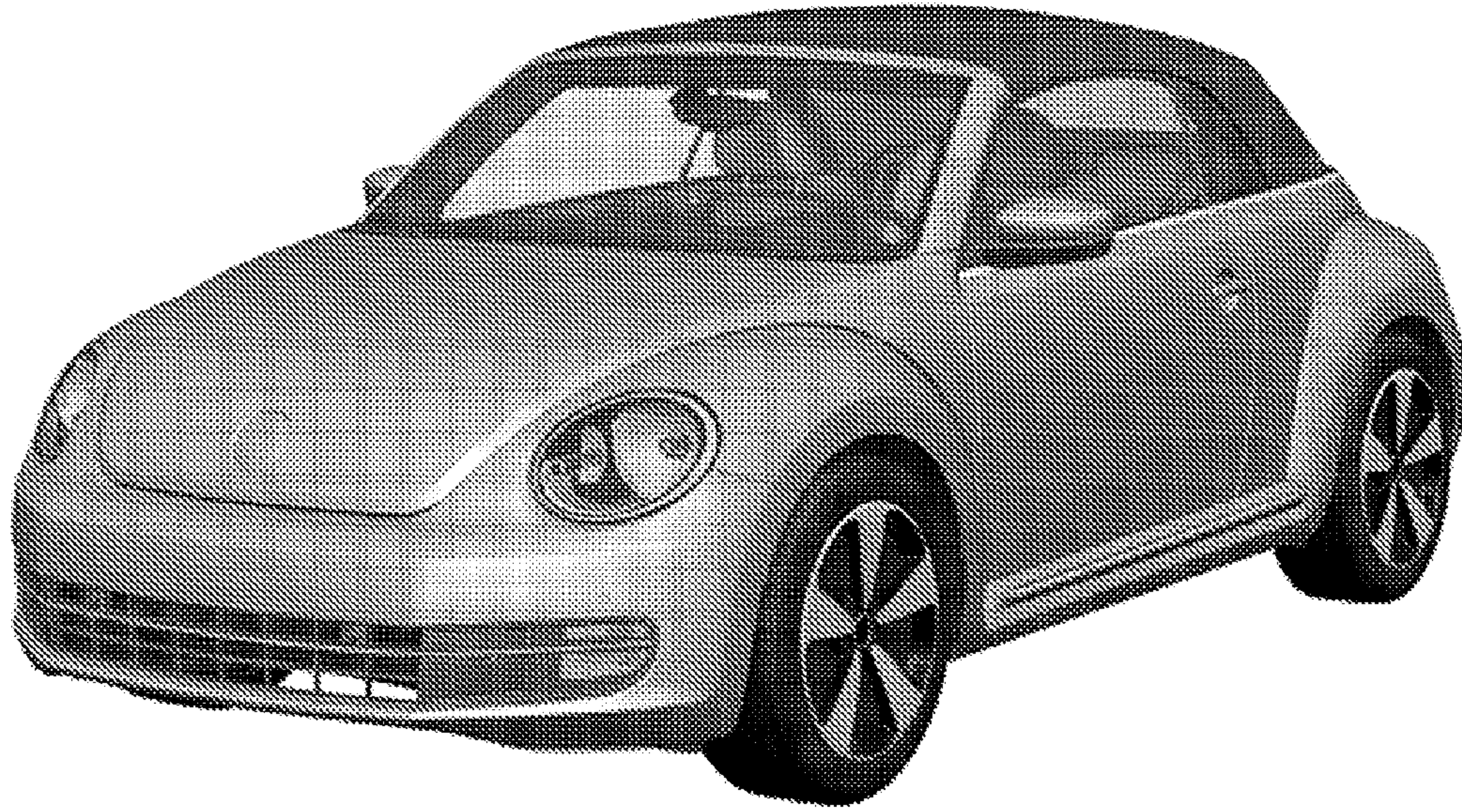


Fig. 11

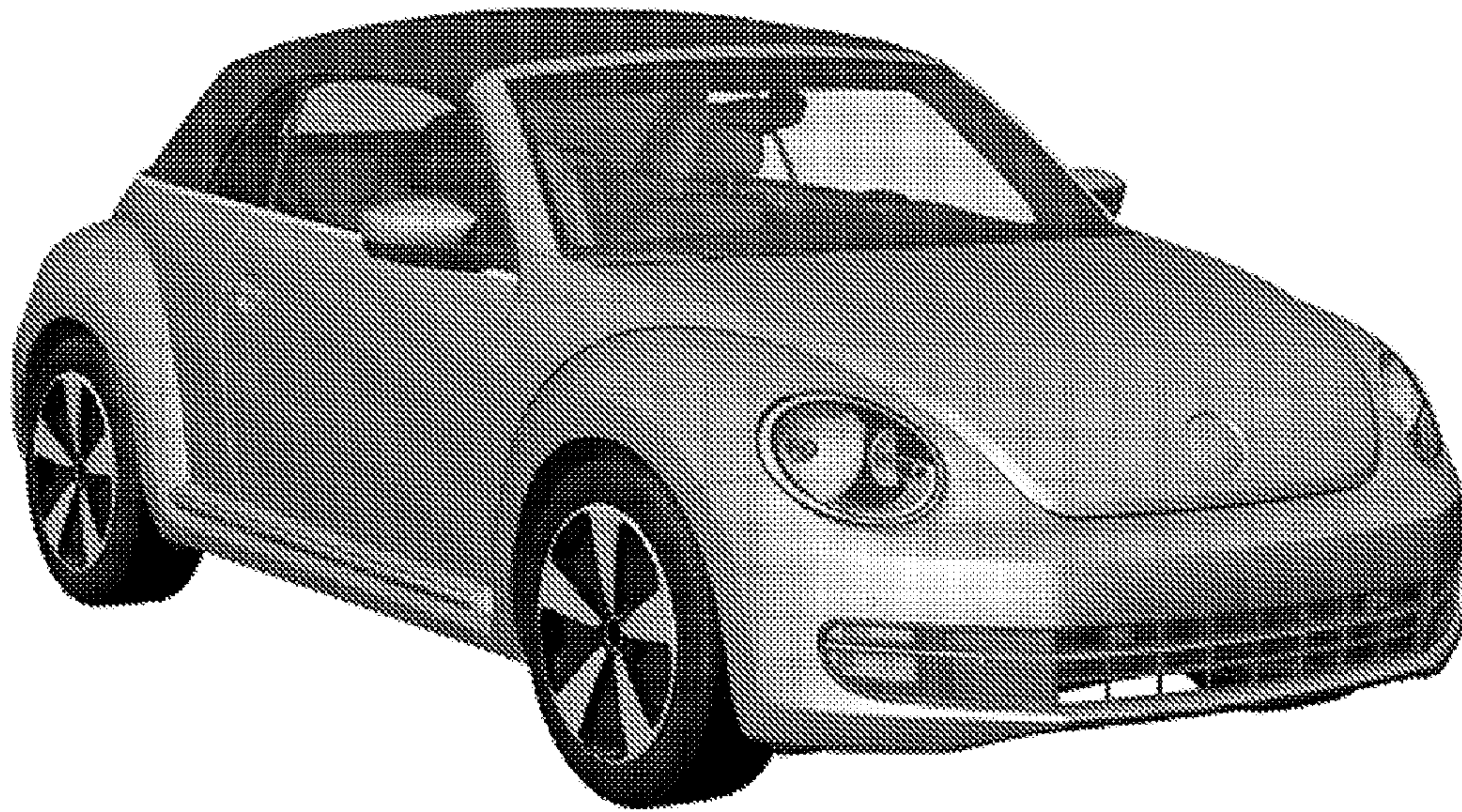


Fig. 12

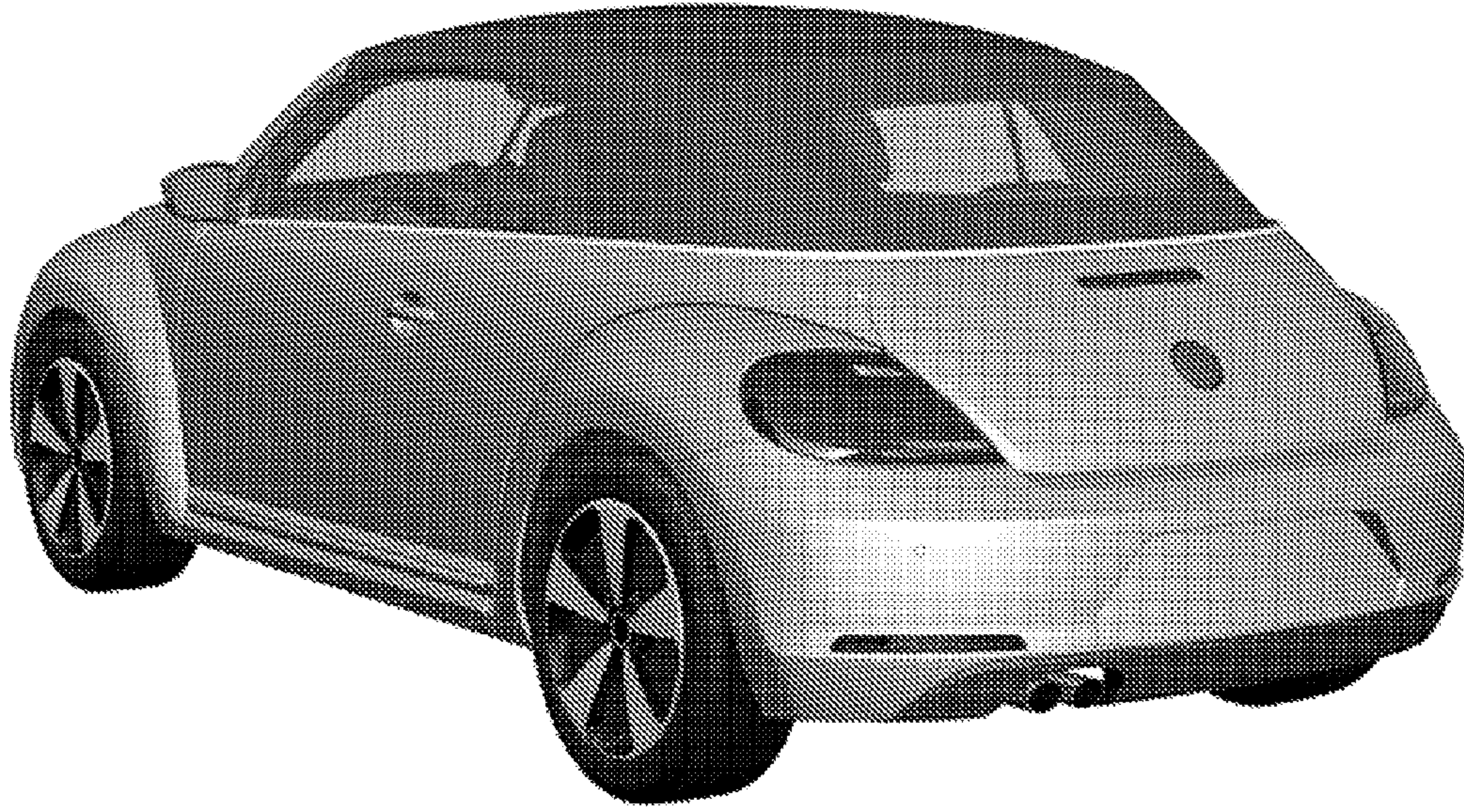


Fig. 13

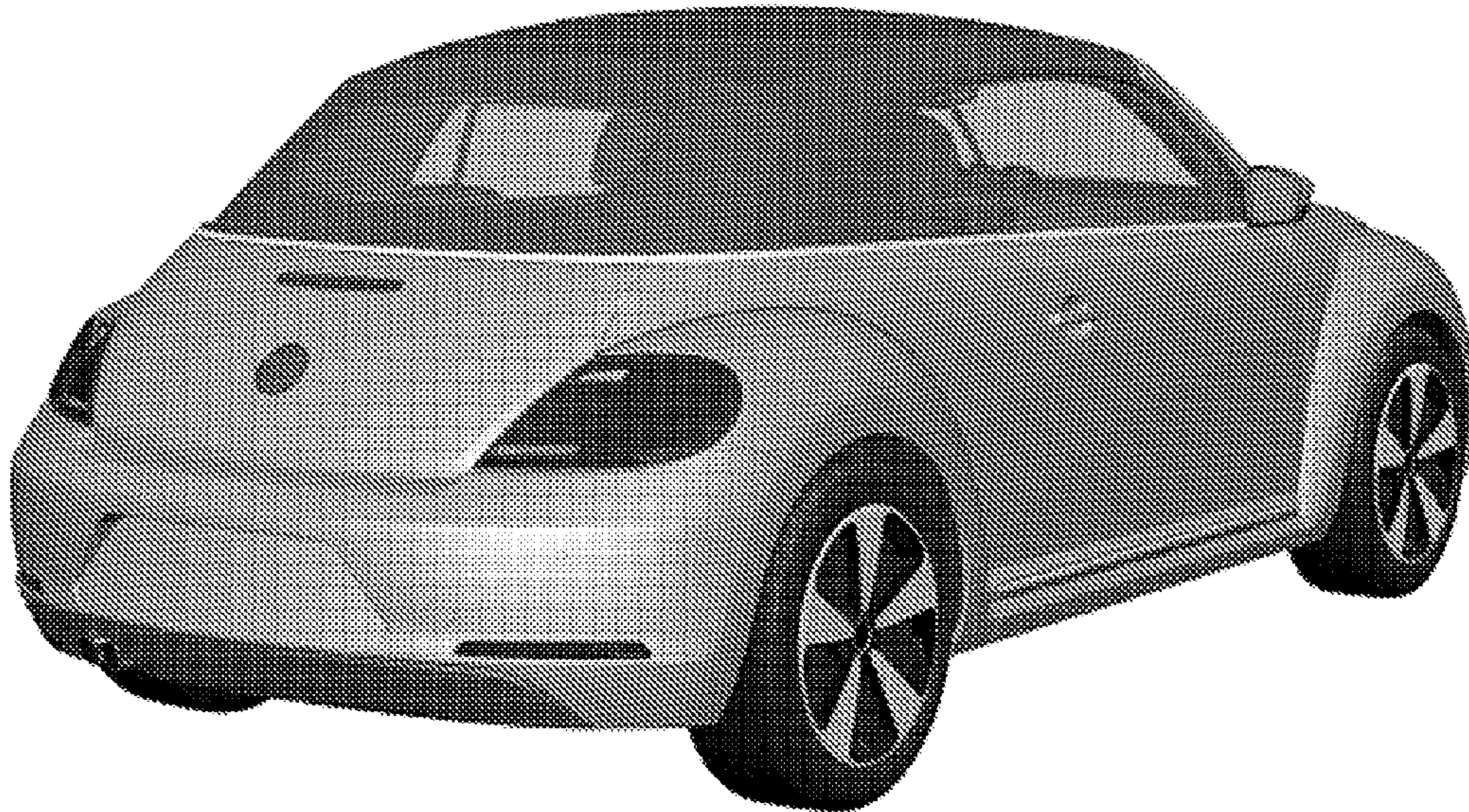


Fig. 14

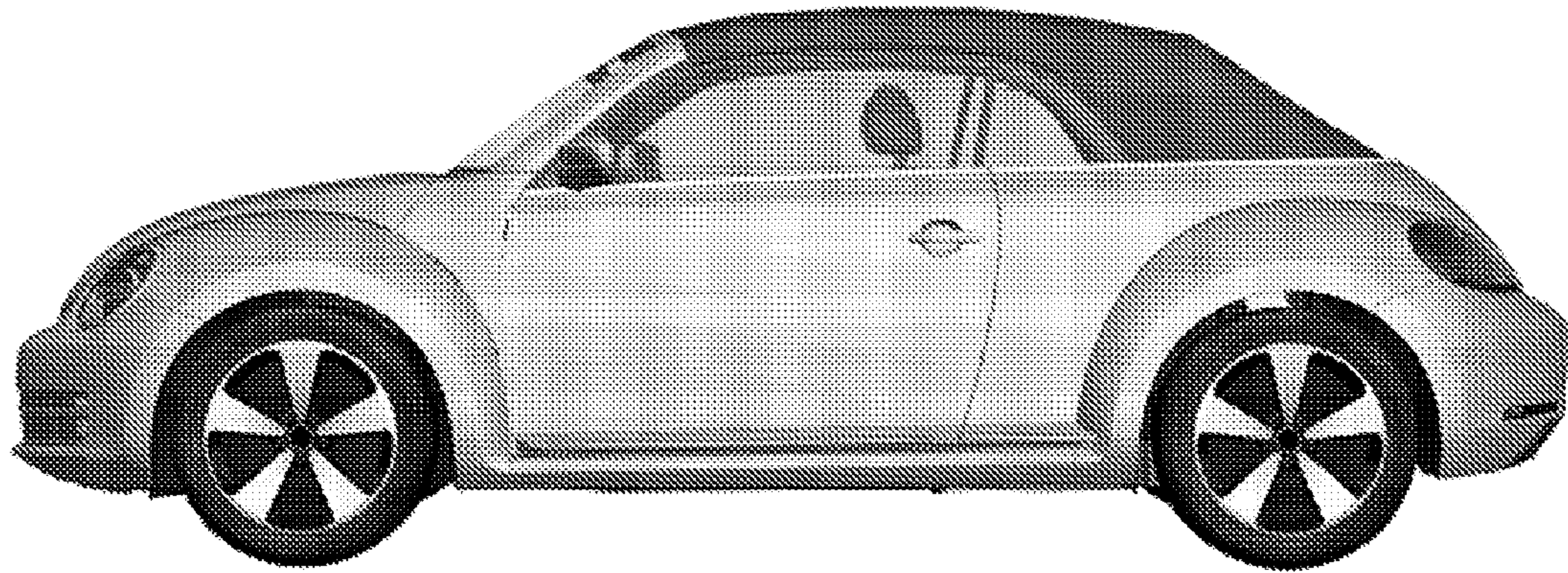


Fig. 15

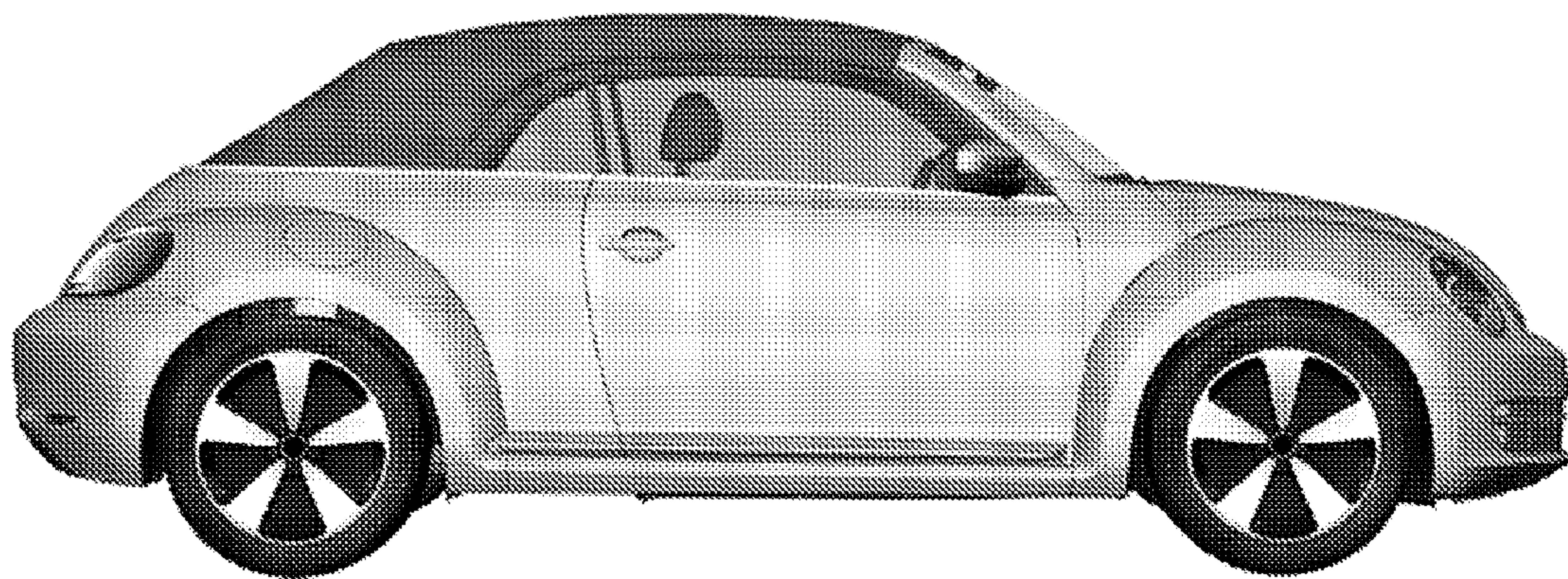


Fig. 16

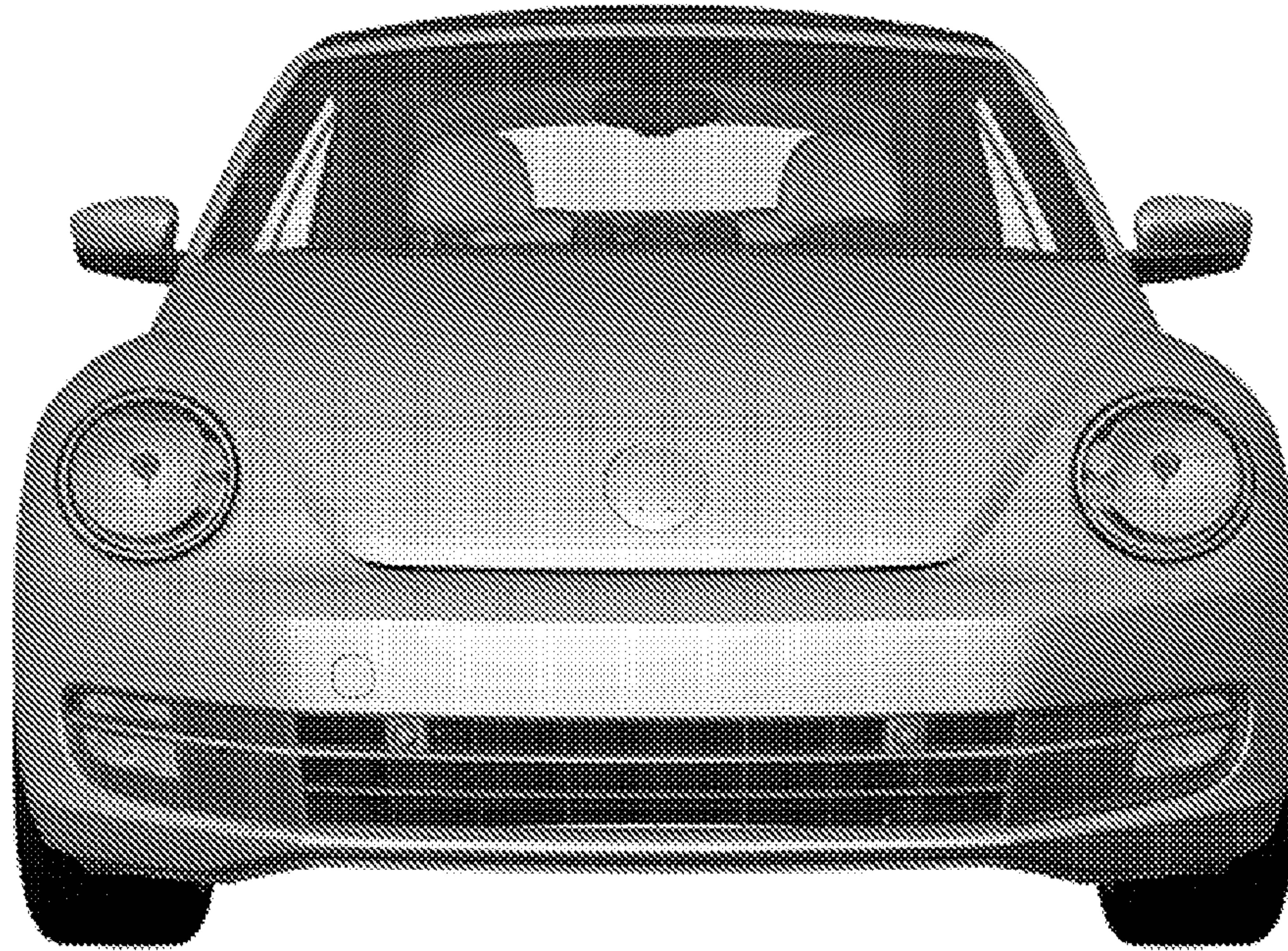


Fig. 17

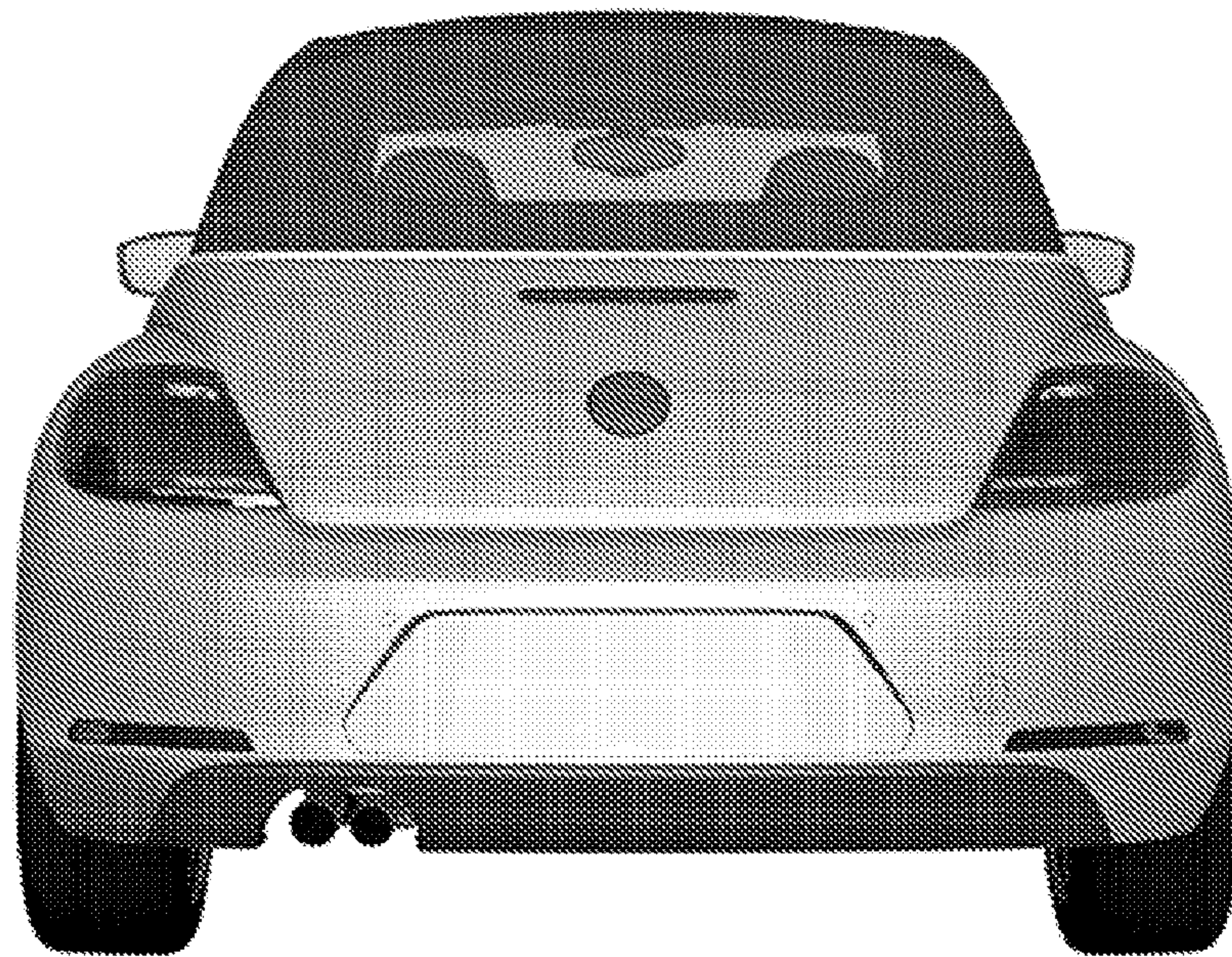


Fig. 18

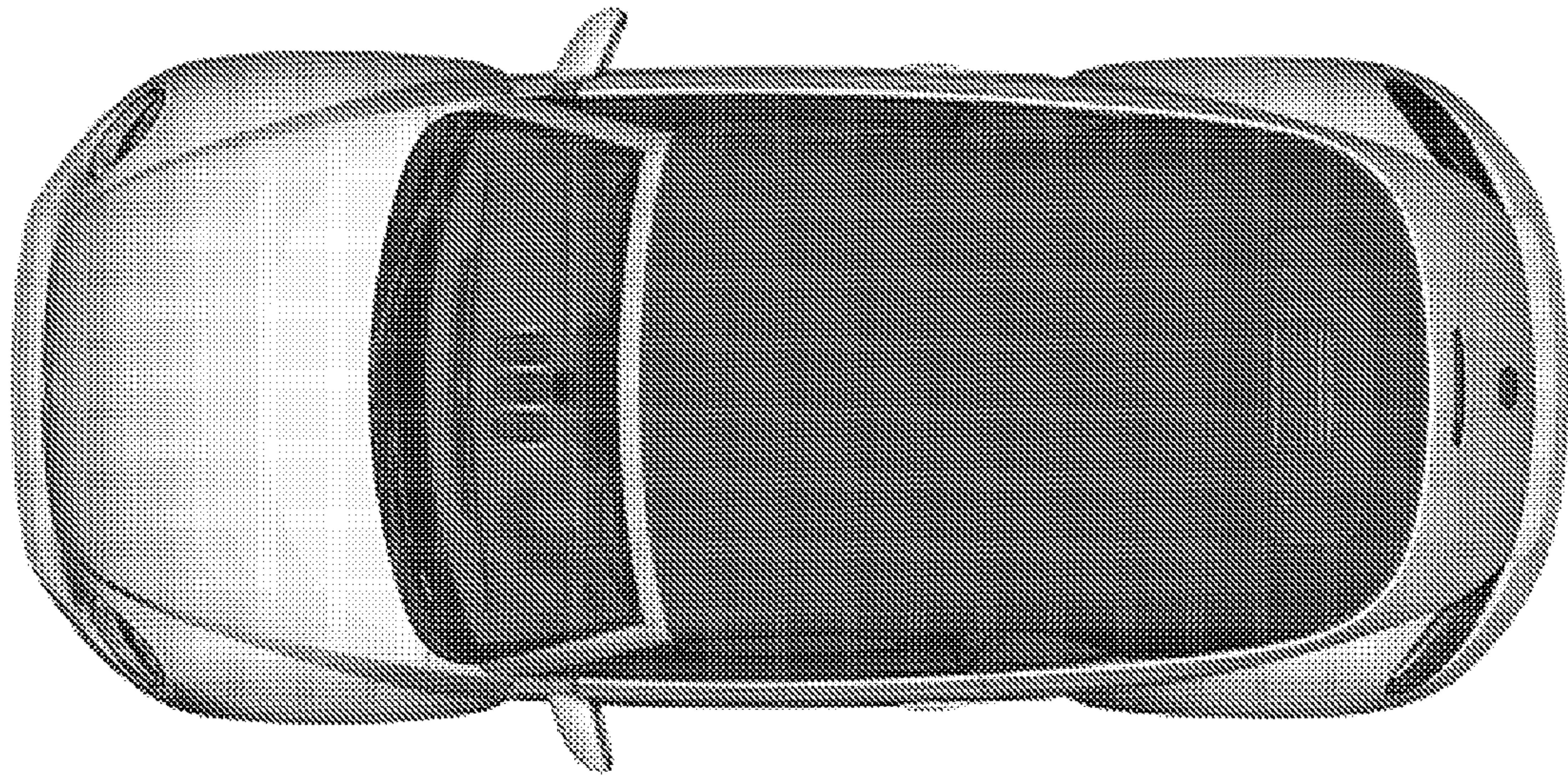


Fig. 19