



US00D683260S

(12) **United States Design Patent**
Prinster et al.

(10) **Patent No.:** **US D683,260 S**
(45) **Date of Patent:** **** May 28, 2013**

(54) **INTERNAL PLUG FOR A PLANTING SYSTEM**

(75) Inventors: **Mark Gerard Prinster**, Marysville, OH (US); **Bradley Alan Schultz**, Powell, OH (US); **Sara Ann Gordon**, Powell, OH (US); **Kimberly Ann Rygielski**, Powell, OH (US); **Matthew L. Phillips**, Litchfield, CT (US); **Robert H. Bruno**, Avon, CT (US); **Philip J. Nathan**, Royal Oak, MI (US)

(73) Assignee: **OMS Investments, Inc.**, Los Angeles, CA (US)

(**) Term: **14 Years**

(21) Appl. No.: **29/422,347**

(22) Filed: **May 18, 2012**

(51) **LOC (9) Cl.** **11-02**

(52) **U.S. Cl.**
USPC **D11/164**

(58) **Field of Classification Search** D6/403-405, D6/556-558; D8/1; D11/143-156, 164; D19/77, D19/80, 81, 84; D25/100; D26/9-11, 16, D26/19; D34/1, 2, 4-6; D99/5, 19; 47/17, 47/32.4, 32.5, 33, 39, 41.01, 41.1, 41.11-41.15, 47/44-47, 65, 65.5, 65.9, 66.1, 66.6, 66.7, 47/67-71

See application file for complete search history.

(56) **References Cited**

U.S. PATENT DOCUMENTS

1,952,597 A * 3/1934 Lizzola D11/144
D94,072 S 12/1934 Cantor
D132,559 S 5/1942 Sawyer
D134,605 S 12/1942 Hahlo-Rosenwald
D168,092 S 11/1952 Hedu
2,834,153 A * 5/1958 Fearn 47/41.13
3,192,665 A 7/1965 Cloud

D211,883 S 8/1968 McCrea
D226,213 S * 1/1973 Meyer D11/147
D229,545 S 12/1973 Uhlig
D237,339 S * 10/1975 Knowles D11/143
D244,418 S * 5/1977 Chetta, Jr. D34/4
4,285,164 A 8/1981 Moore
D278,989 S 5/1985 Baumann
4,769,945 A 9/1988 Motoyama et al.
4,916,858 A 4/1990 Hobson

(Continued)

FOREIGN PATENT DOCUMENTS

WO WO 2005/055700 6/2005

Primary Examiner — Garth Rademaker

(74) *Attorney, Agent, or Firm* — Hunton & Williams LLP

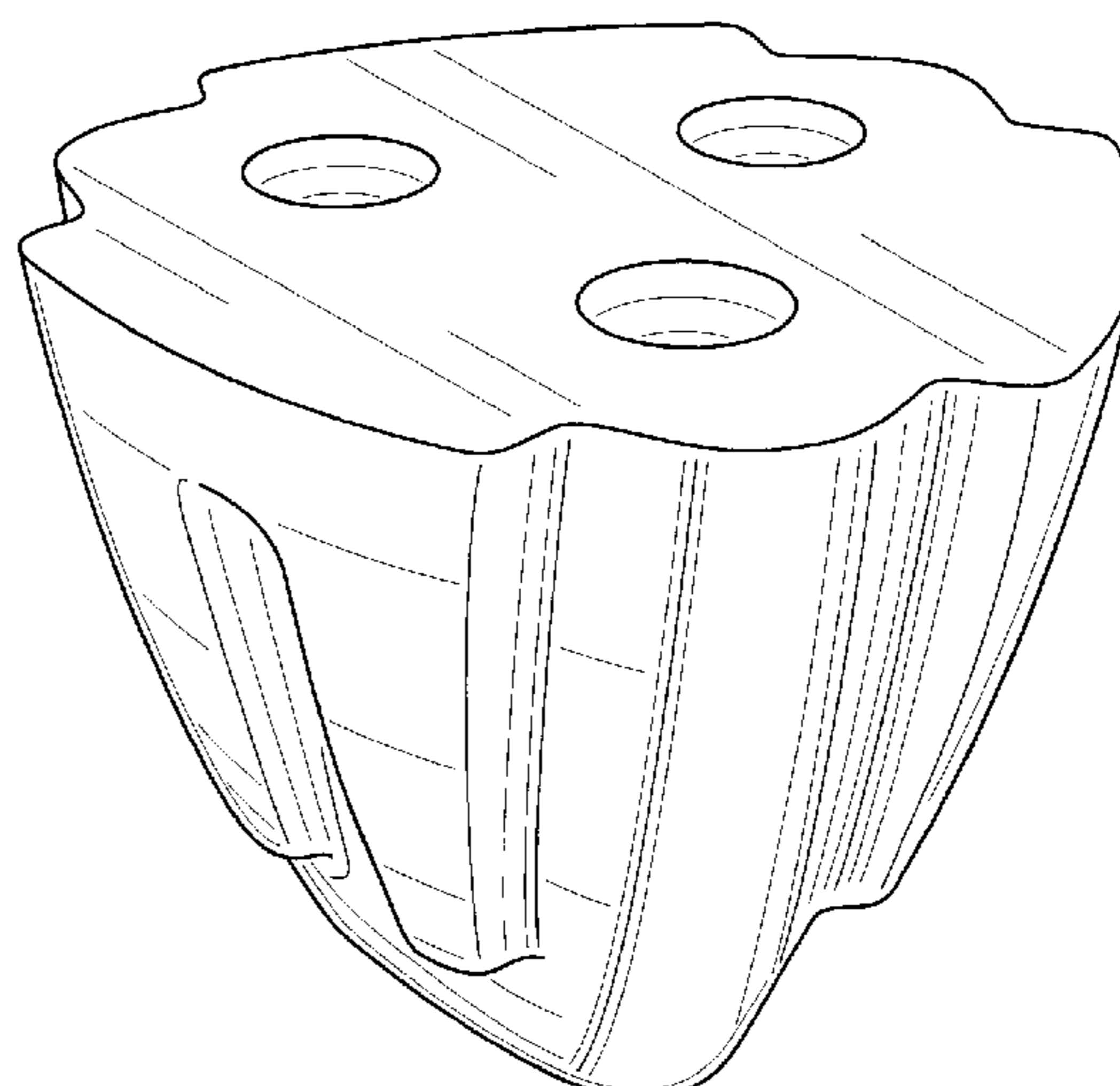
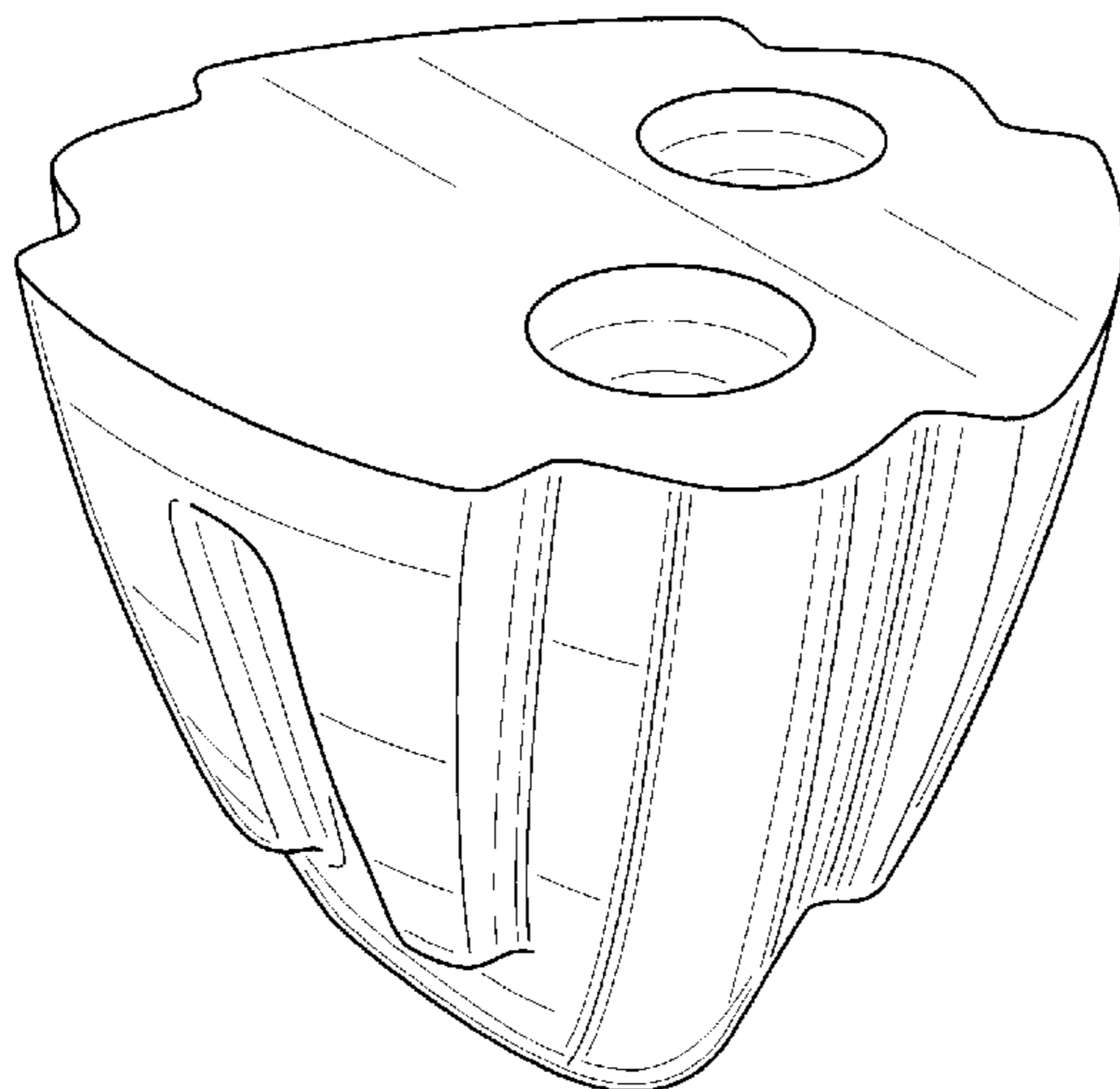
(57) **CLAIM**

We claim the ornamental design for an internal plug of a planting system, as shown and described.

DESCRIPTION

FIG. 1 depicts a perspective view of a first embodiment of an internal plug of a planting system;
FIG. 2 is a front elevational view thereof.
FIG. 3 is a rear elevational view thereof.
FIG. 4 is a side elevational view thereof.
FIG. 5 is an opposite side elevational view thereof.
FIG. 6 is a top plan view thereof.
FIG. 7 is a bottom plan view thereof.
FIG. 8 depicts a cut-away view thereof.
FIG. 9 depicts a perspective view of a second embodiment of an internal plug of a planting system;
FIG. 10 is a front elevational view thereof.
FIG. 11 is a rear elevational view thereof.
FIG. 12 is a side elevational view thereof.
FIG. 13 is an opposite side elevational view thereof.
FIG. 14 is a top plan view thereof.
FIG. 15 is a bottom plan view thereof; and,
FIG. 16 depicts a cut-away view thereof.

1 Claim, 14 Drawing Sheets



US D683,260 S

Page 2

U.S. PATENT DOCUMENTS							
				7,587,859	B2	9/2009	Bradley
				7,676,988	B2	3/2010	Bradley
D308,029	S	5/1990	Kladt	7,805,866	B1	10/2010	Osgood
D349,663	S *	8/1994	Spicer D11/164	7,805,886	B2	10/2010	Brandstatter
D359,013	S	6/1995	Carlson	D632,606	S	2/2011	Jalet
5,430,972	A	7/1995	Wianecki	7,984,586	B2	7/2011	Brusatore
D369,760	S	5/1996	Sanderson	D671,028	S *	11/2012	Prinster et al. D11/143
5,641,223	A	6/1997	Rustebakke	2001/0047617	A1	12/2001	Blossom
D381,600	S	7/1997	Yurkovic	2003/0140556	A1	7/2003	Frogley
5,651,214	A	7/1997	Zucker et al.	2005/0155286	A1	7/2005	Soukup
5,720,129	A	2/1998	Lantinberg	2005/0204620	A1	9/2005	Butterfield et al.
5,799,439	A	9/1998	MacGregor	2005/0246954	A1	11/2005	Bissonnette et al.
5,921,025	A	7/1999	Smith	2005/0246955	A1	11/2005	Bissonnette et al.
6,178,692	B1	1/2001	Graven	2006/0162251	A1	7/2006	Yamaguchi
6,219,968	B1	4/2001	Belger et al.	2006/0179711	A1	8/2006	Bissonnette et al.
6,233,871	B1	5/2001	Ho	2008/0282610	A1	11/2008	Bissonnette et al.
6,418,644	B1	7/2002	Bykov et al.	2010/0162624	A1	7/2010	Bradley
6,418,664	B1	7/2002	Shaw	2010/0263274	A1	10/2010	Corak et al.
D485,207	S	1/2004	Dion	2011/0232190	A1	9/2011	Pindus et al.
6,782,656	B2	8/2004	Washburn	2011/0283614	A1	11/2011	Jaensch
D575,668	S	8/2008	Rashid et al.				
D586,255	S	2/2009	Rashid et al.				
D598,809	S	8/2009	Smith				

* cited by examiner

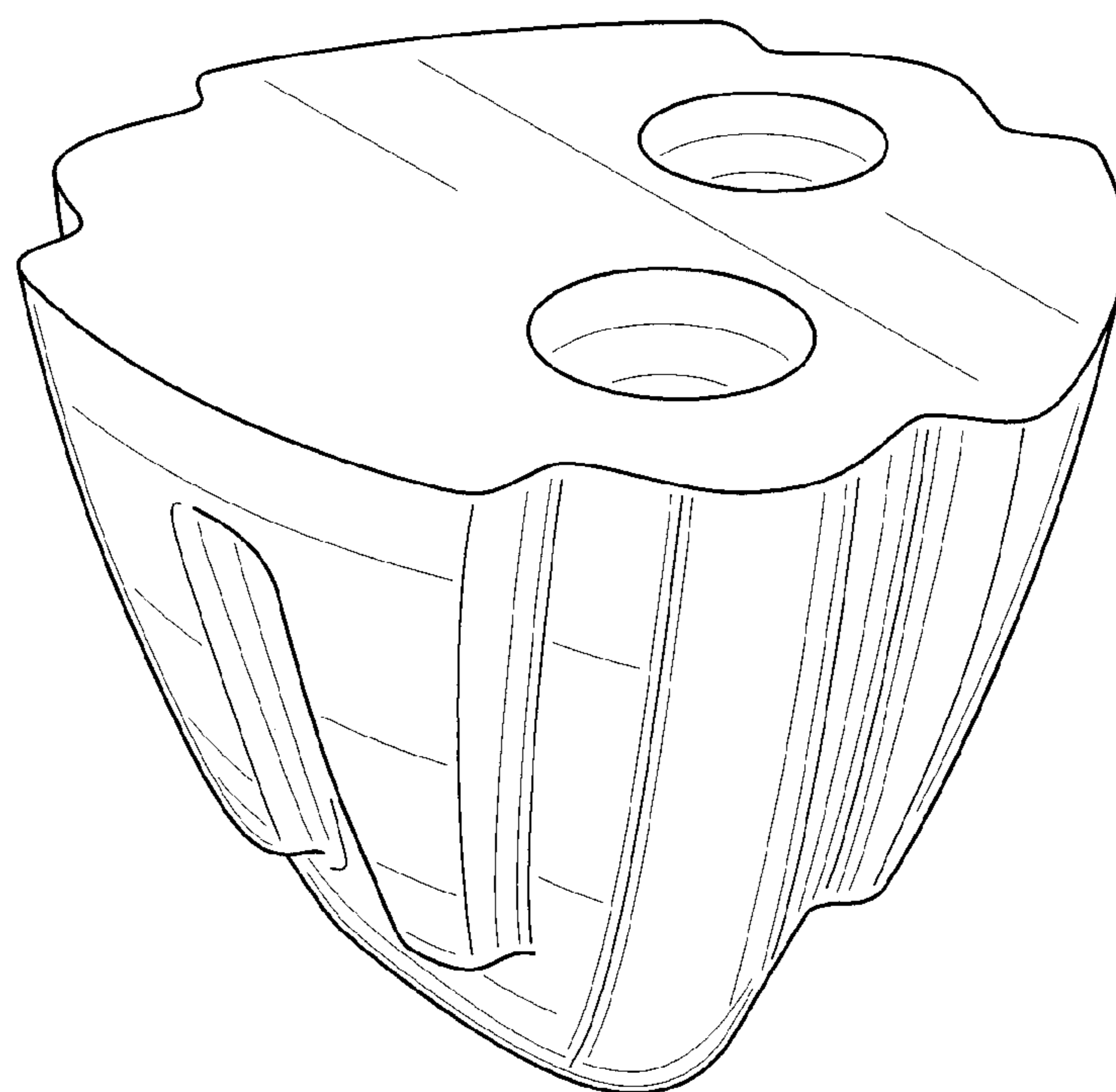


FIG. 1

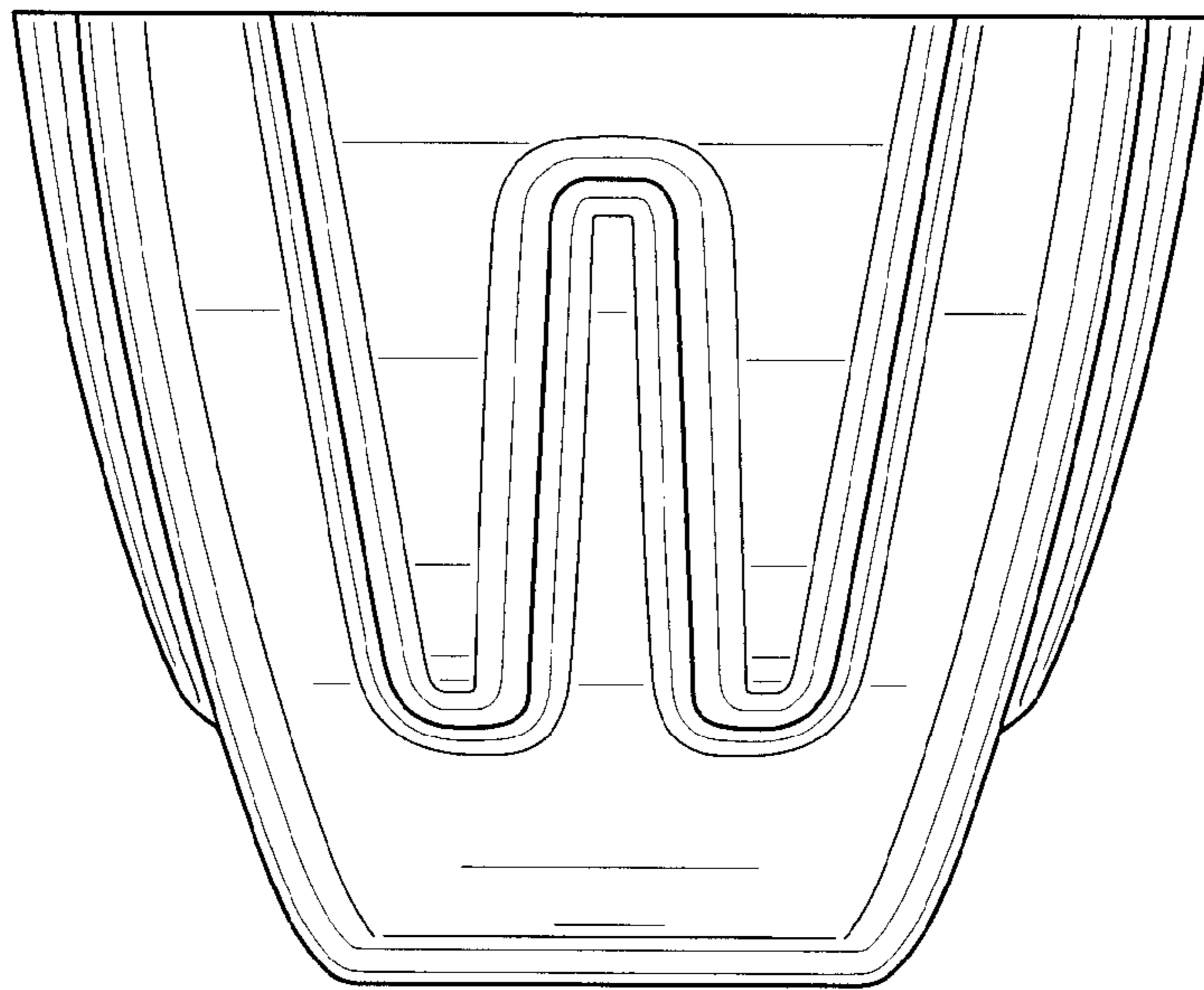


FIG. 2

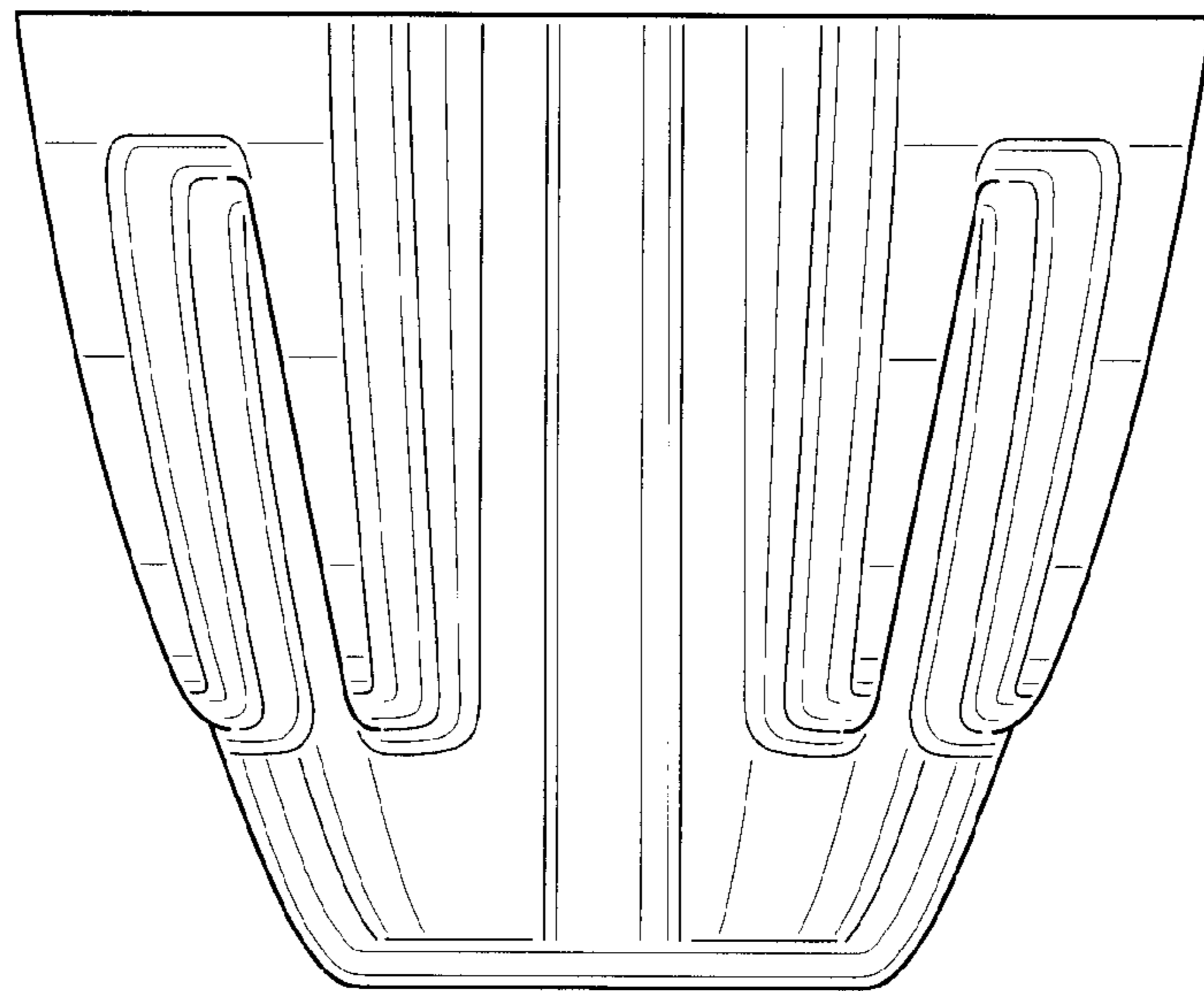


FIG. 3

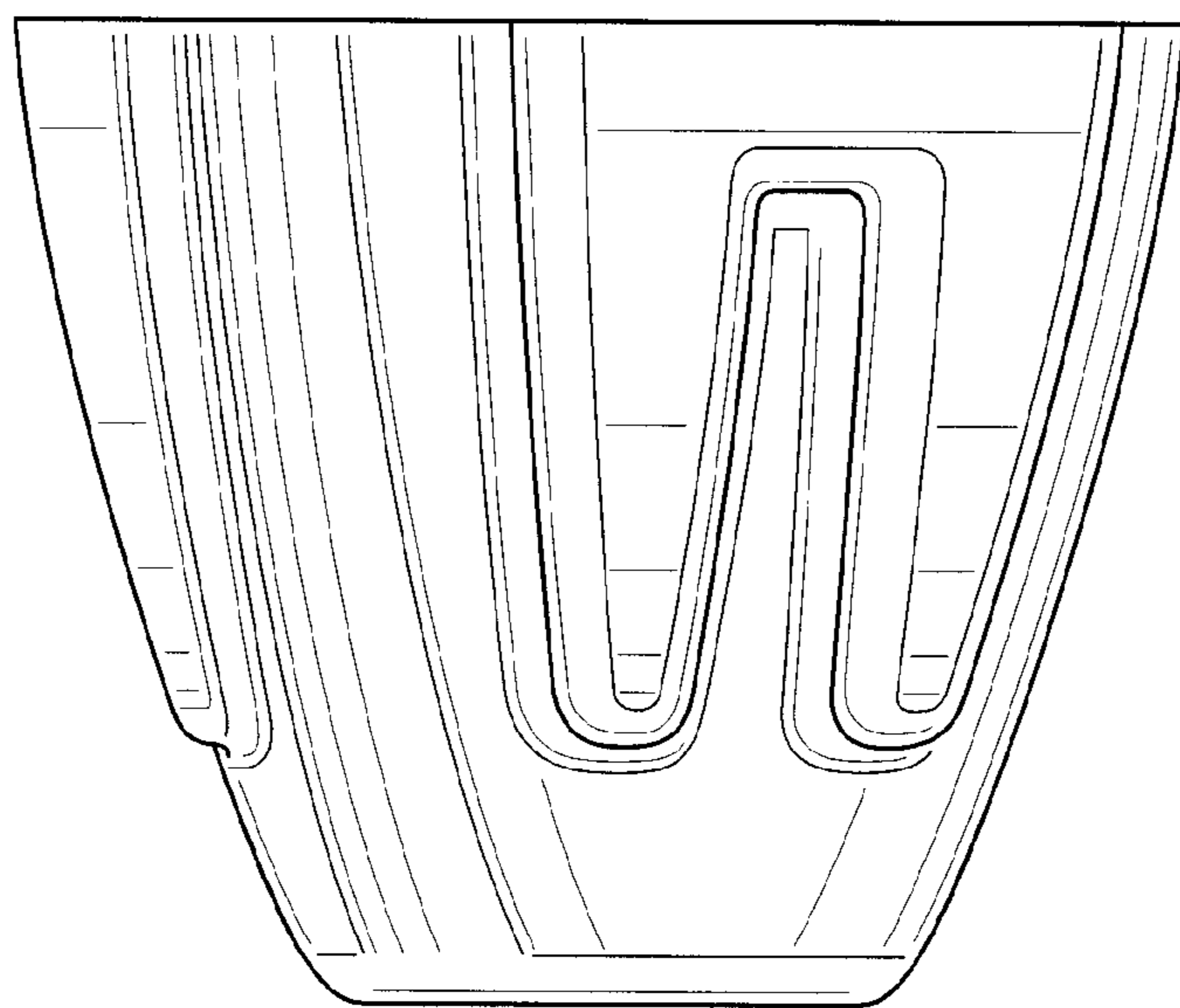


FIG. 4

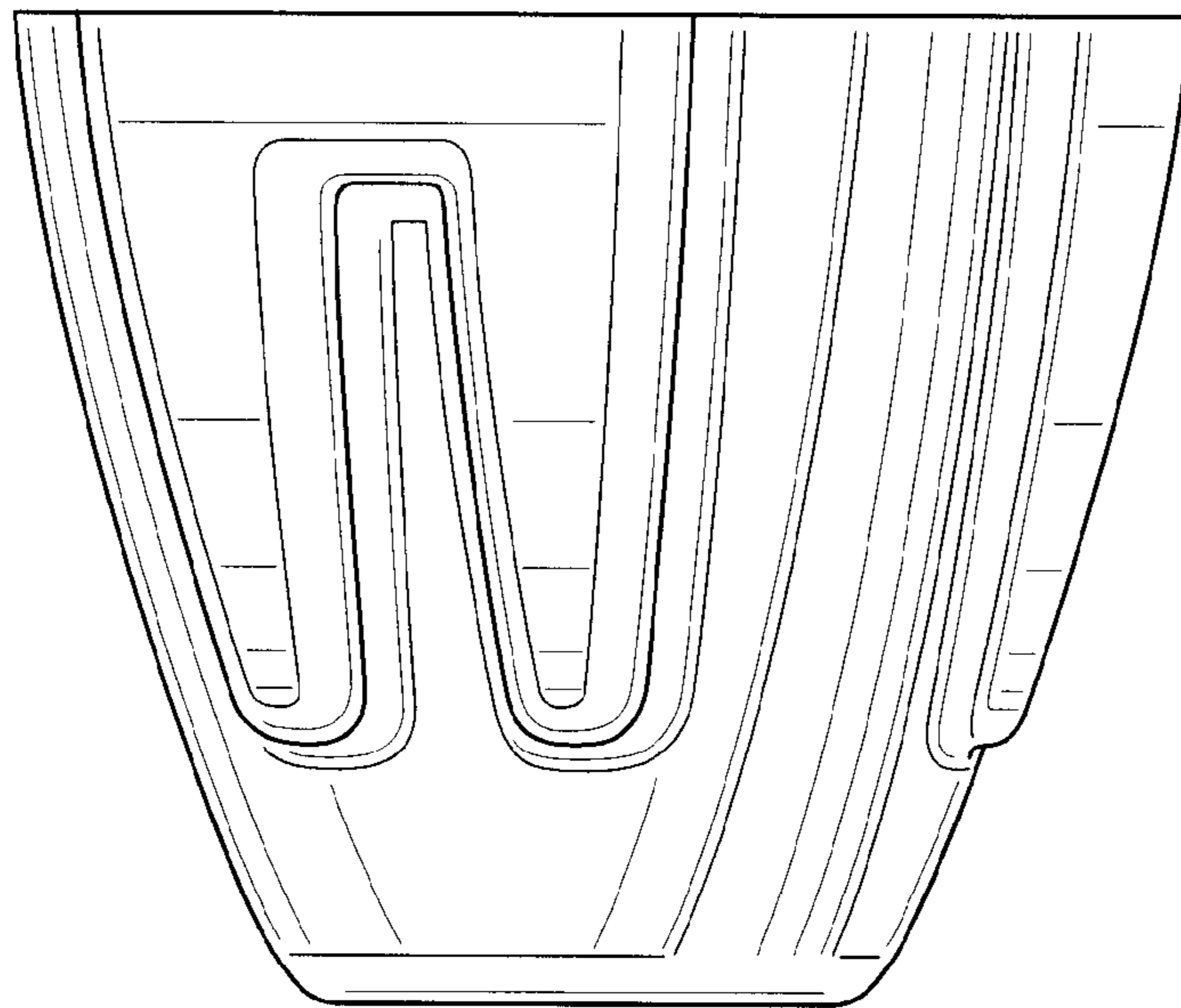


FIG. 5

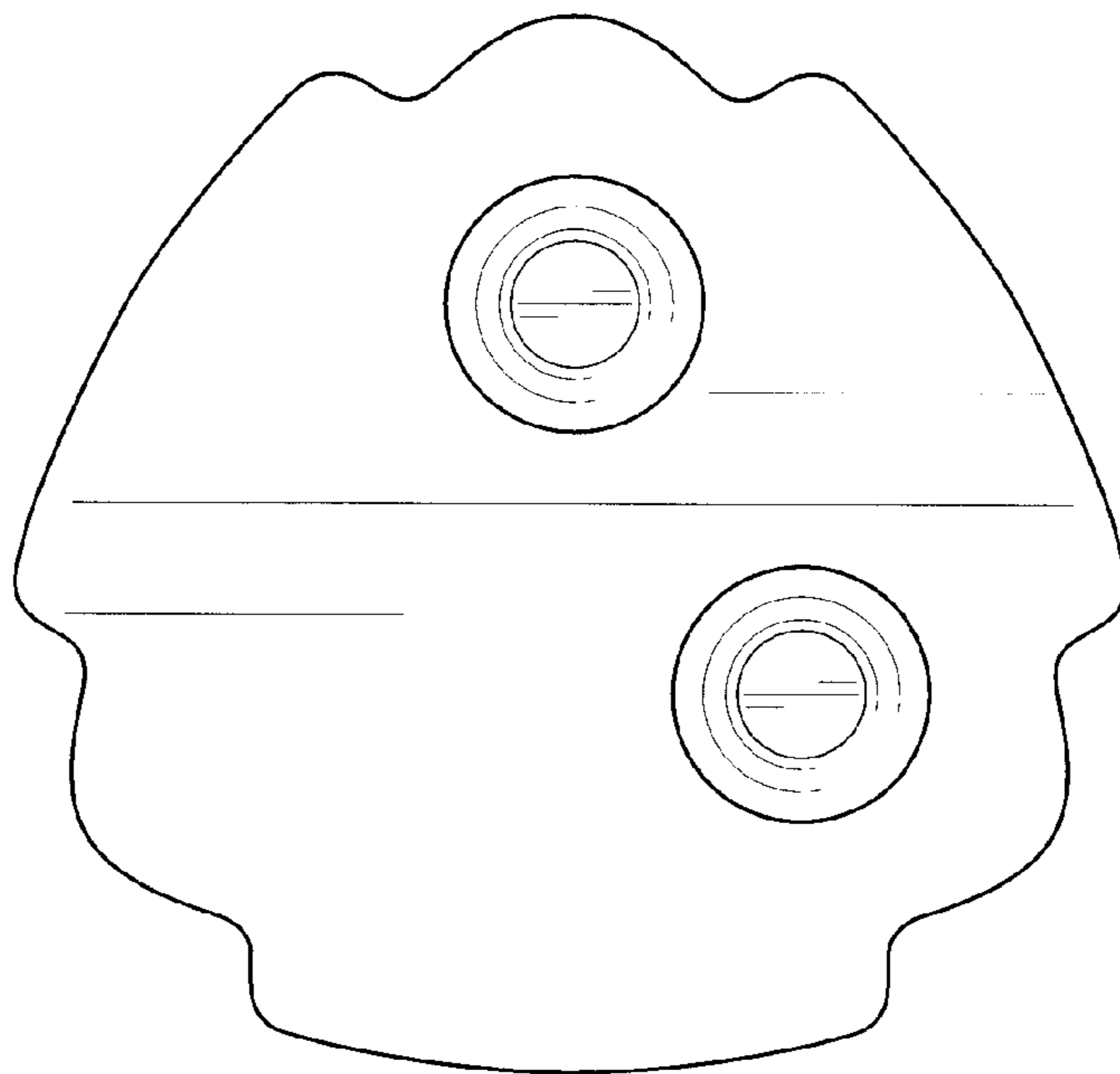


FIG. 6

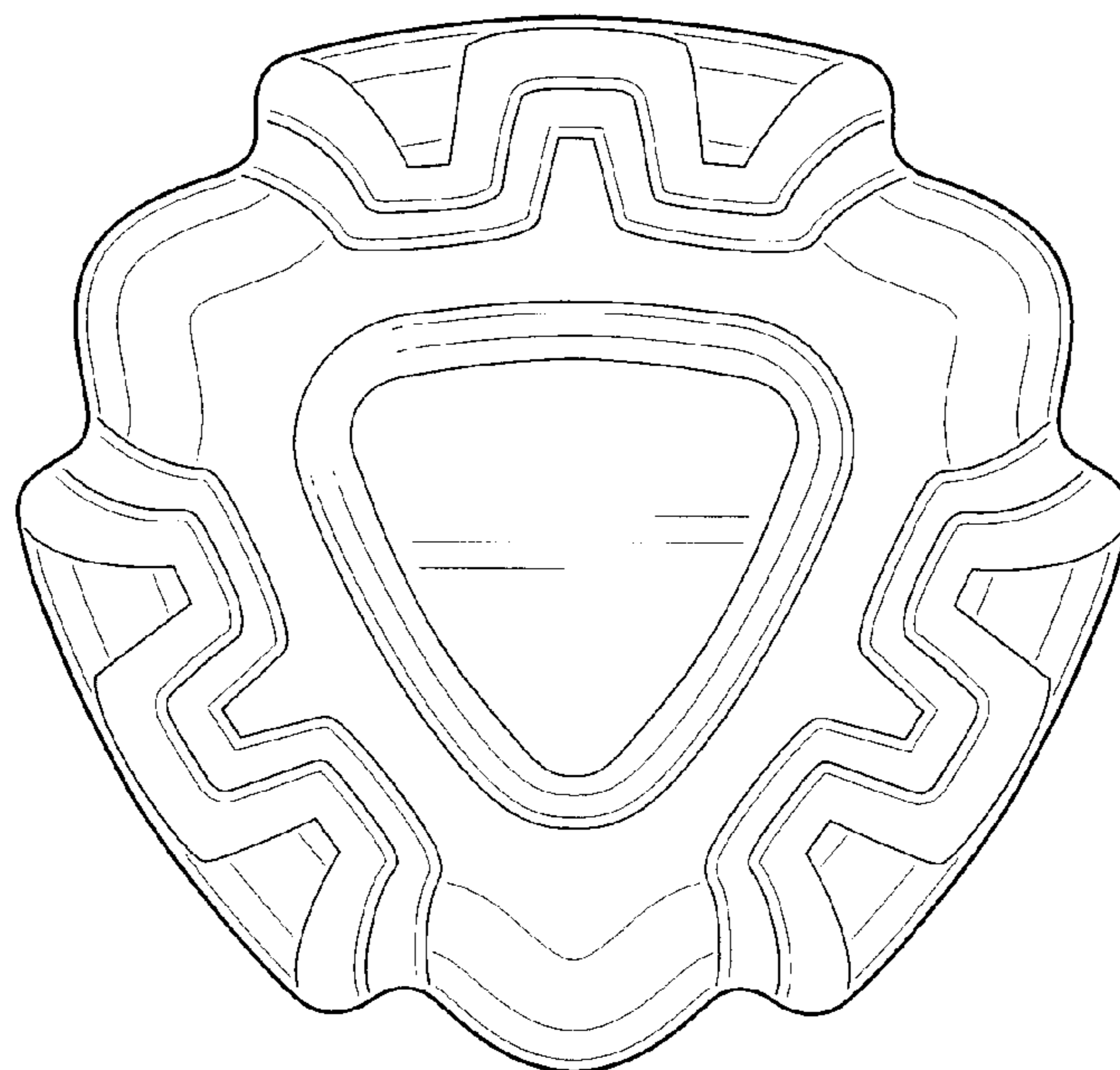


FIG. 7

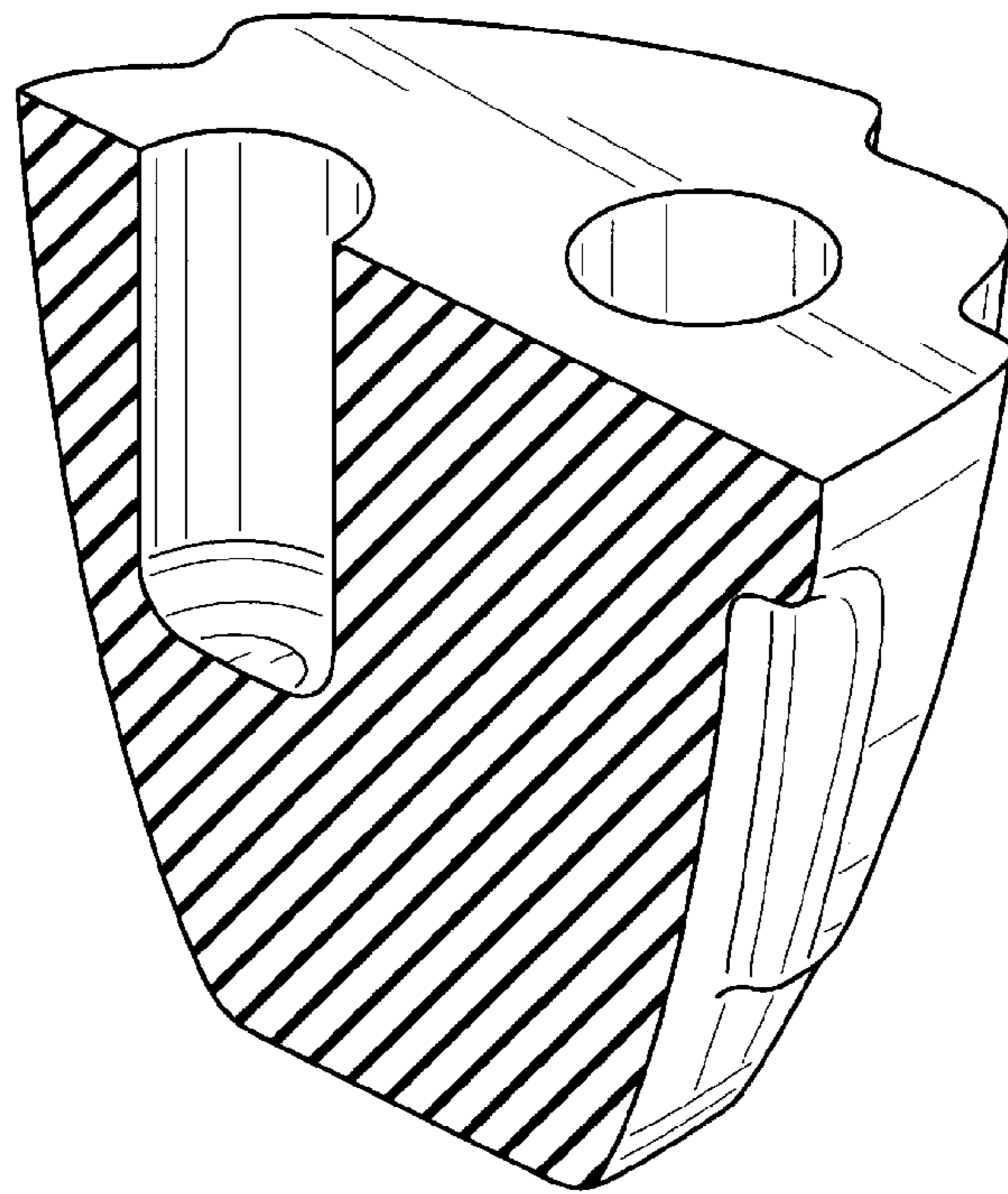


FIG. 8

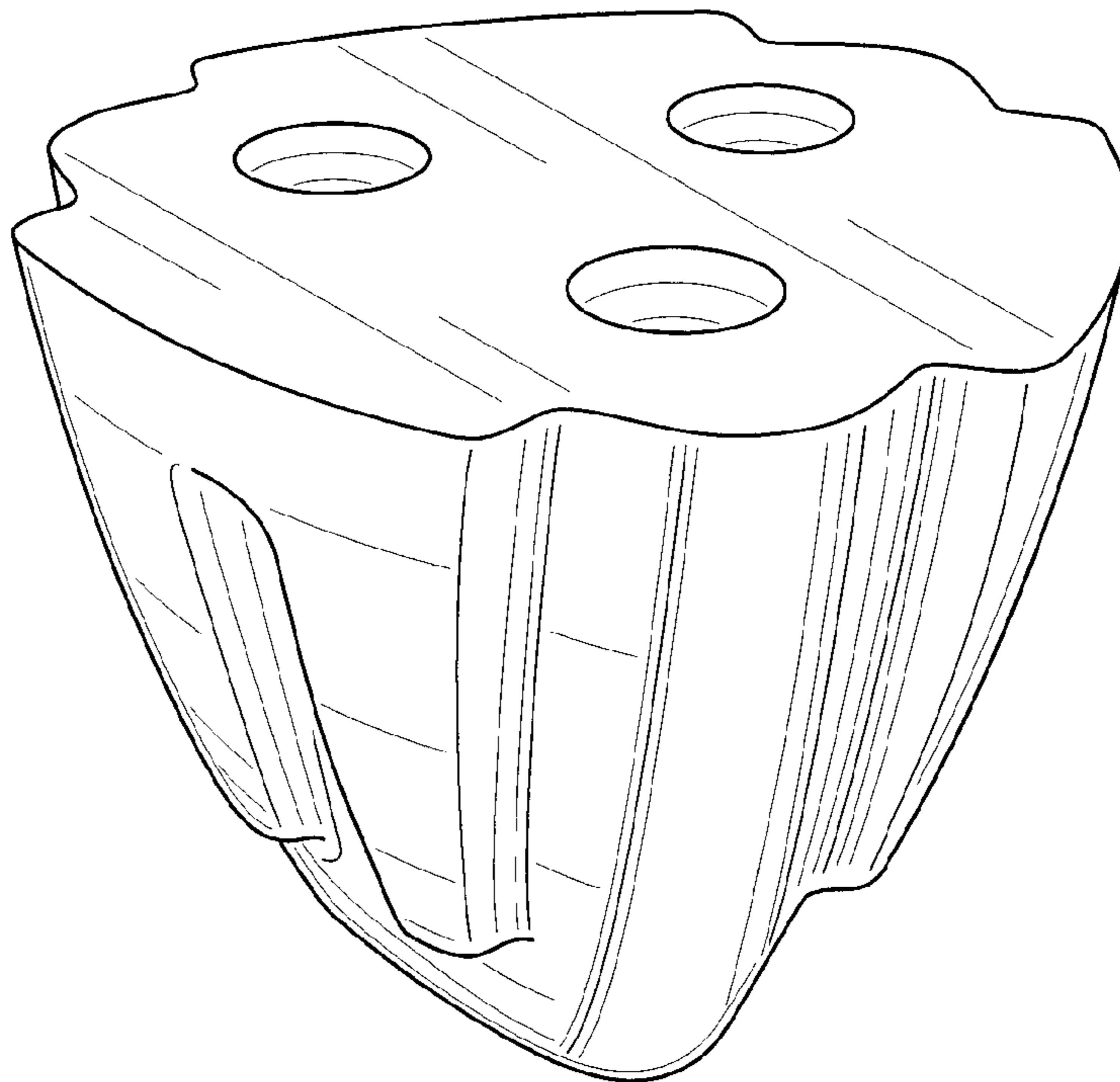


FIG. 9

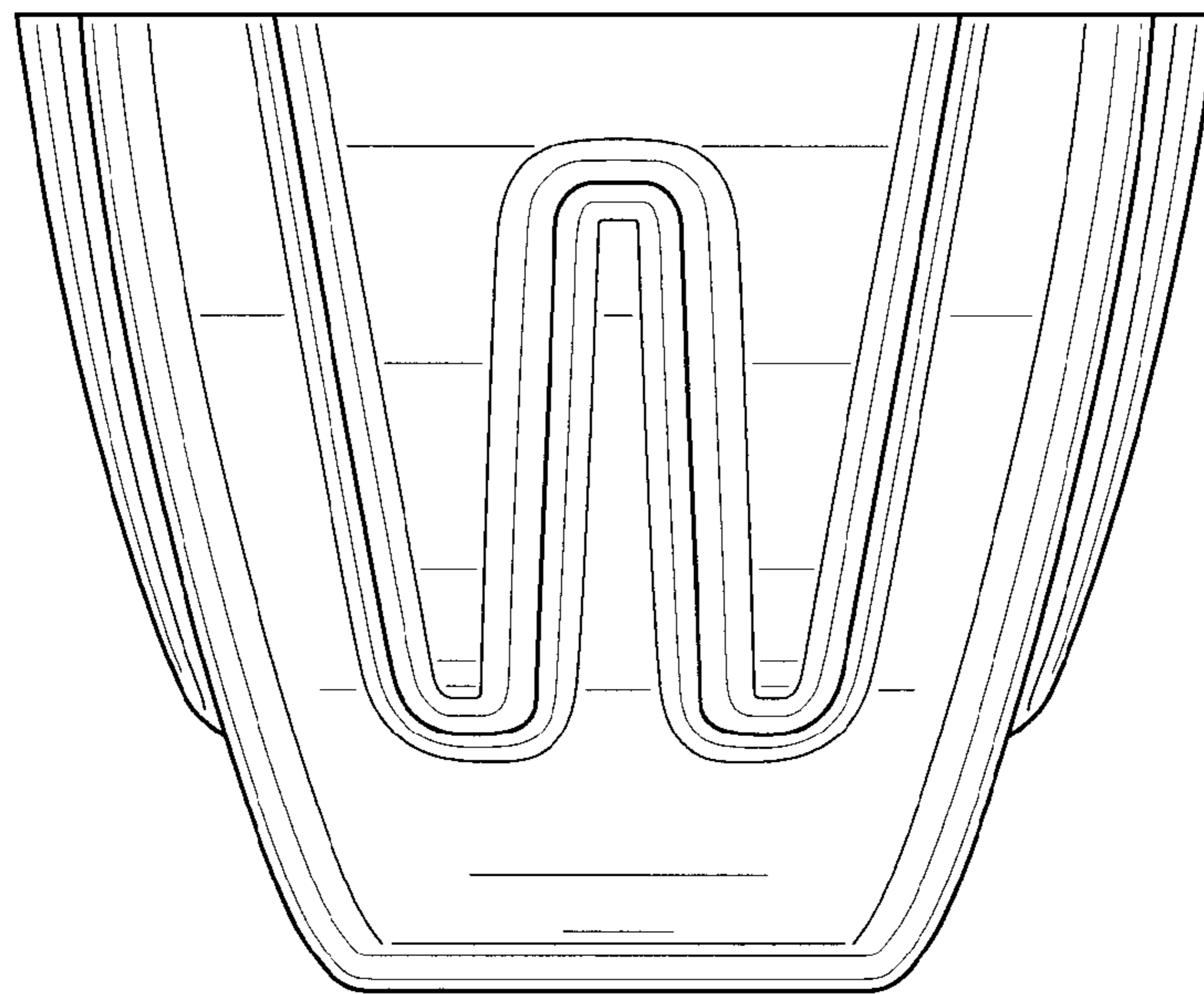


FIG. 10

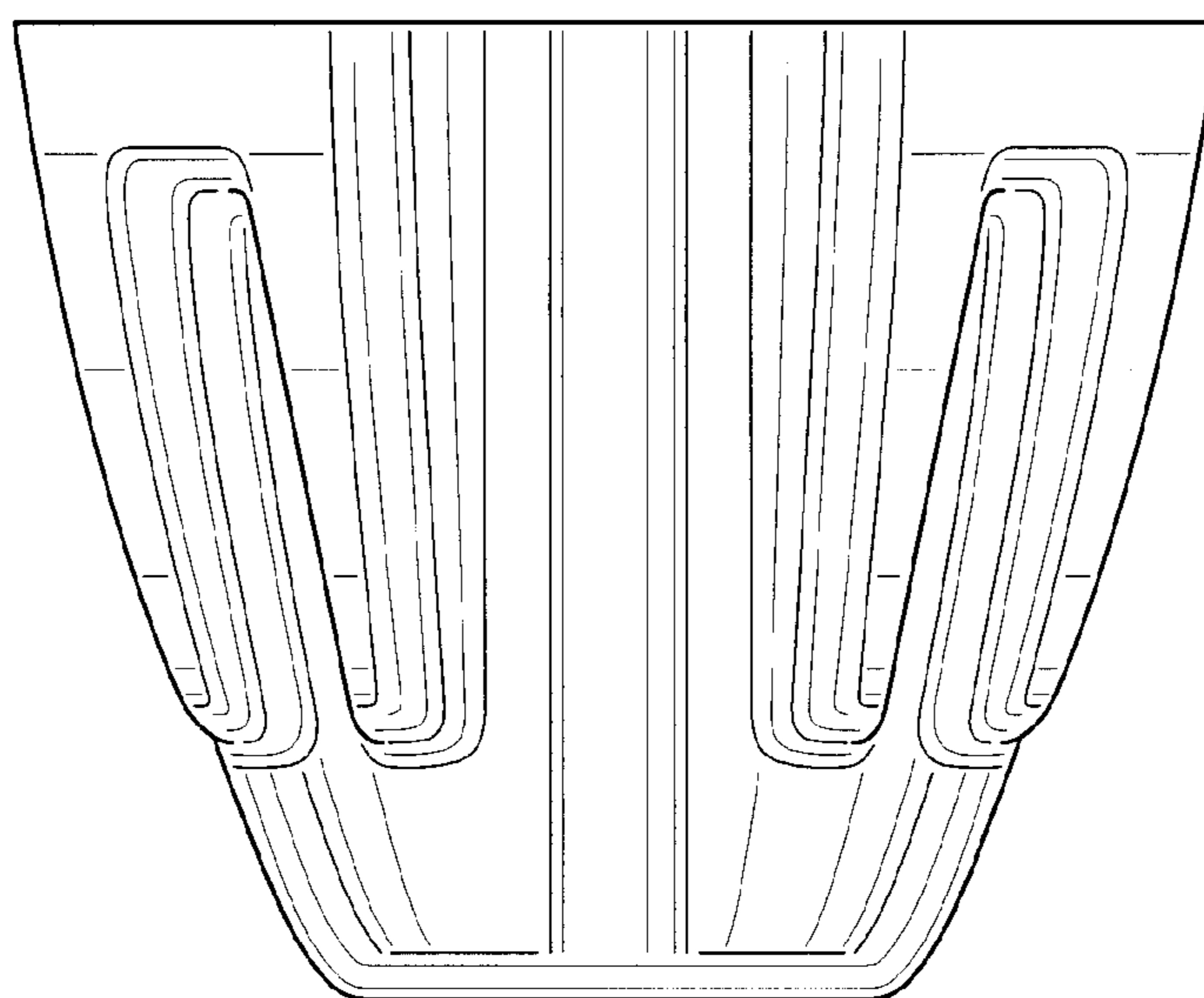


FIG. 11

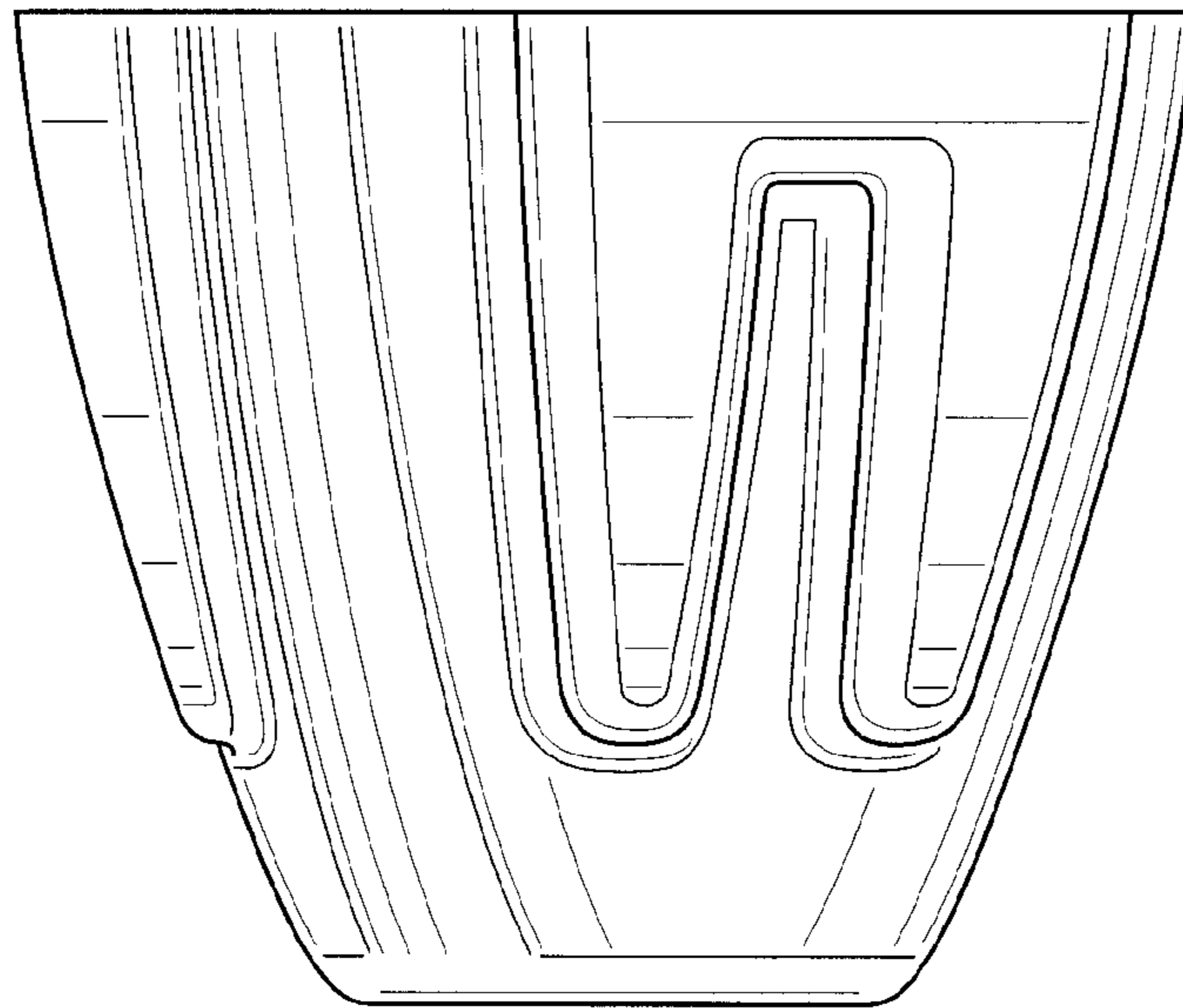


FIG. 12

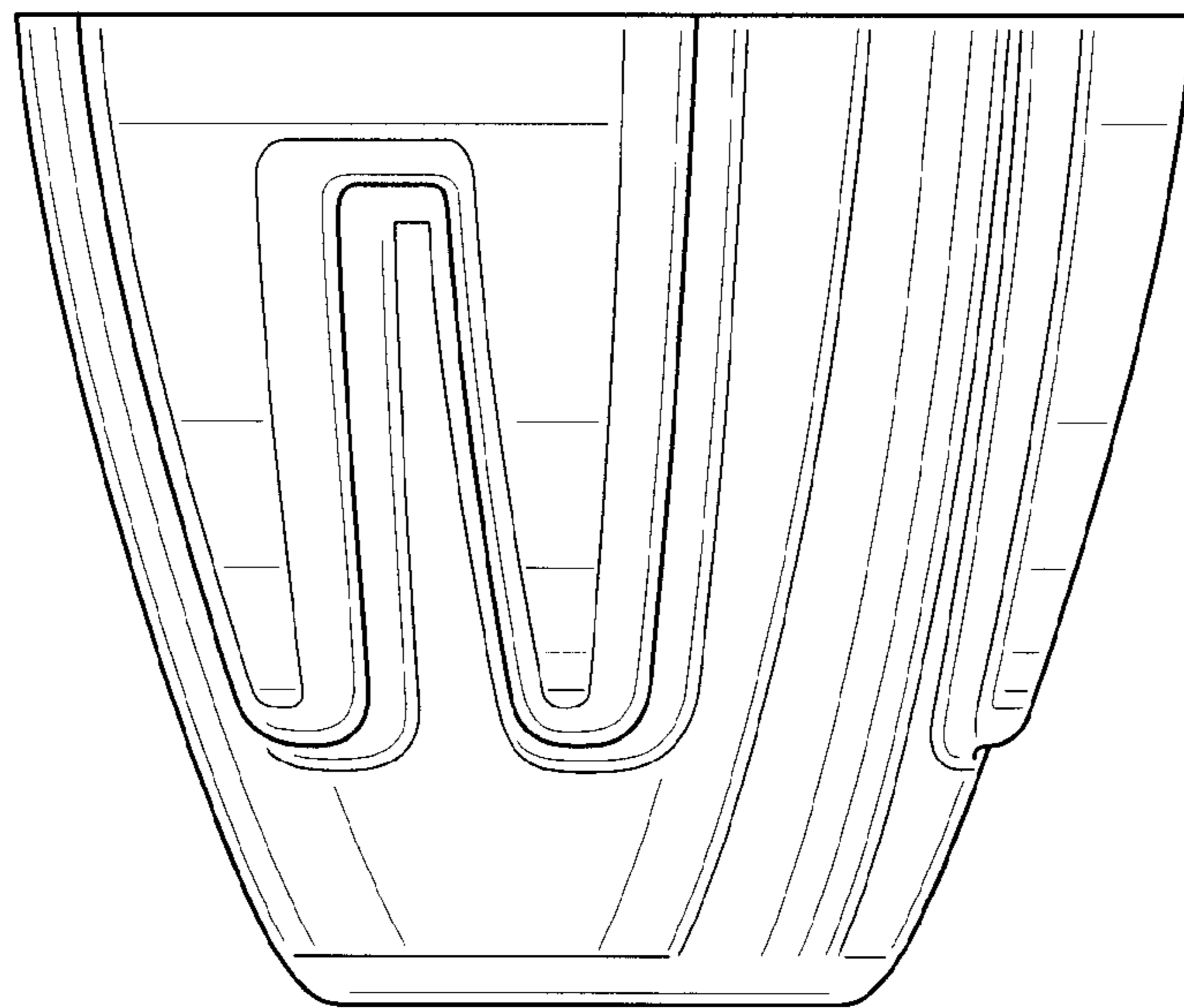


FIG. 13

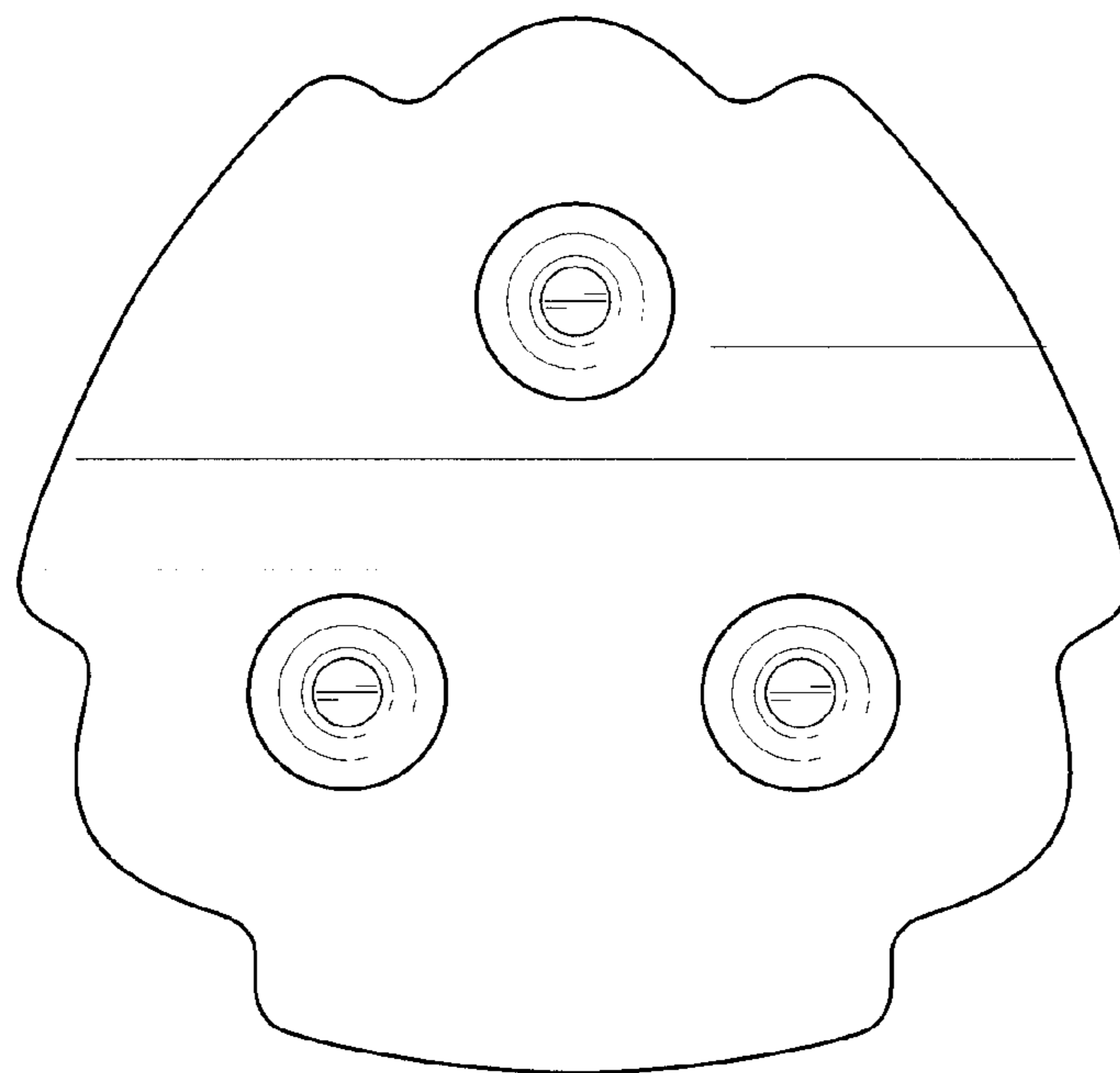


FIG. 14

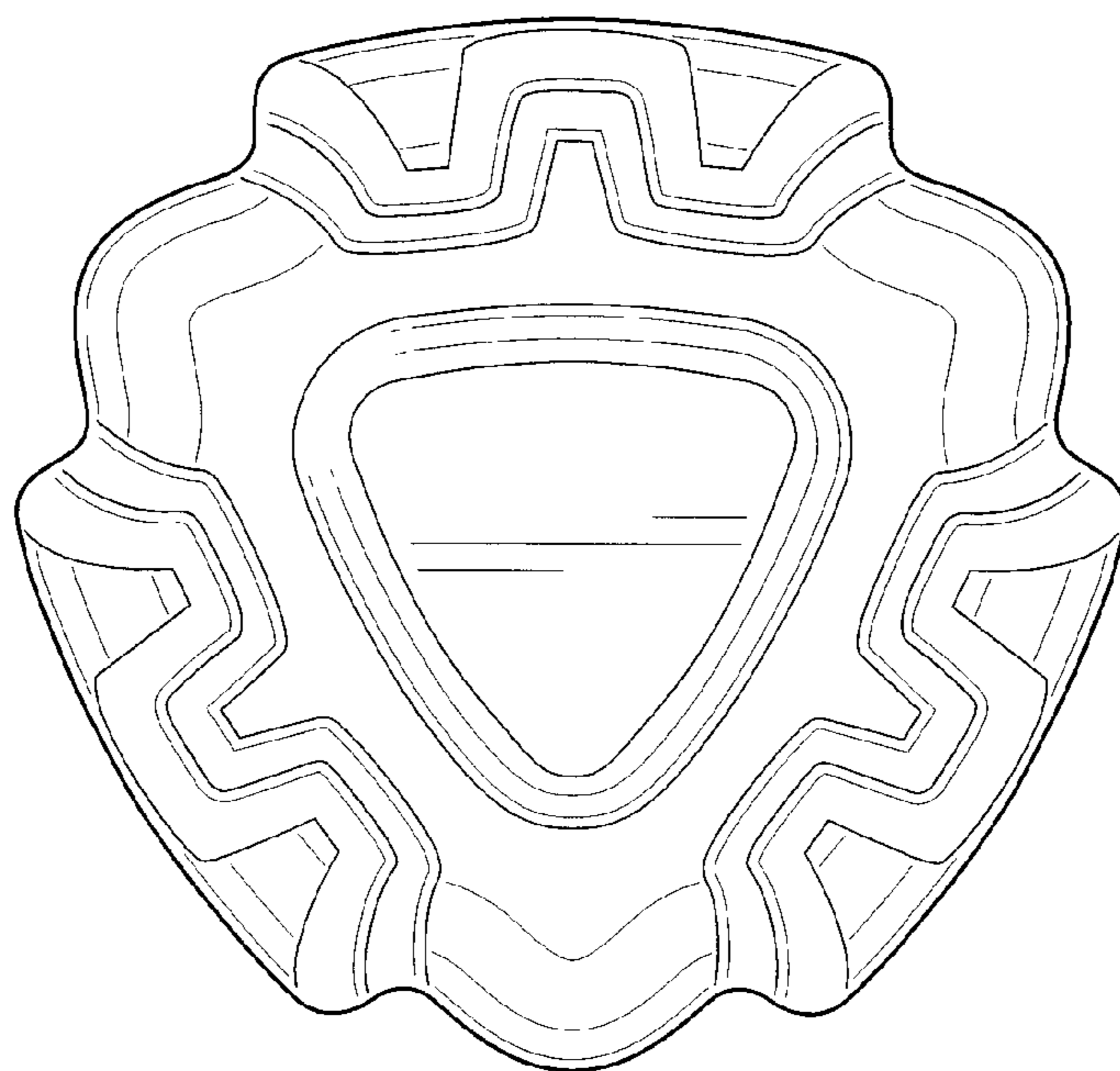


FIG. 15

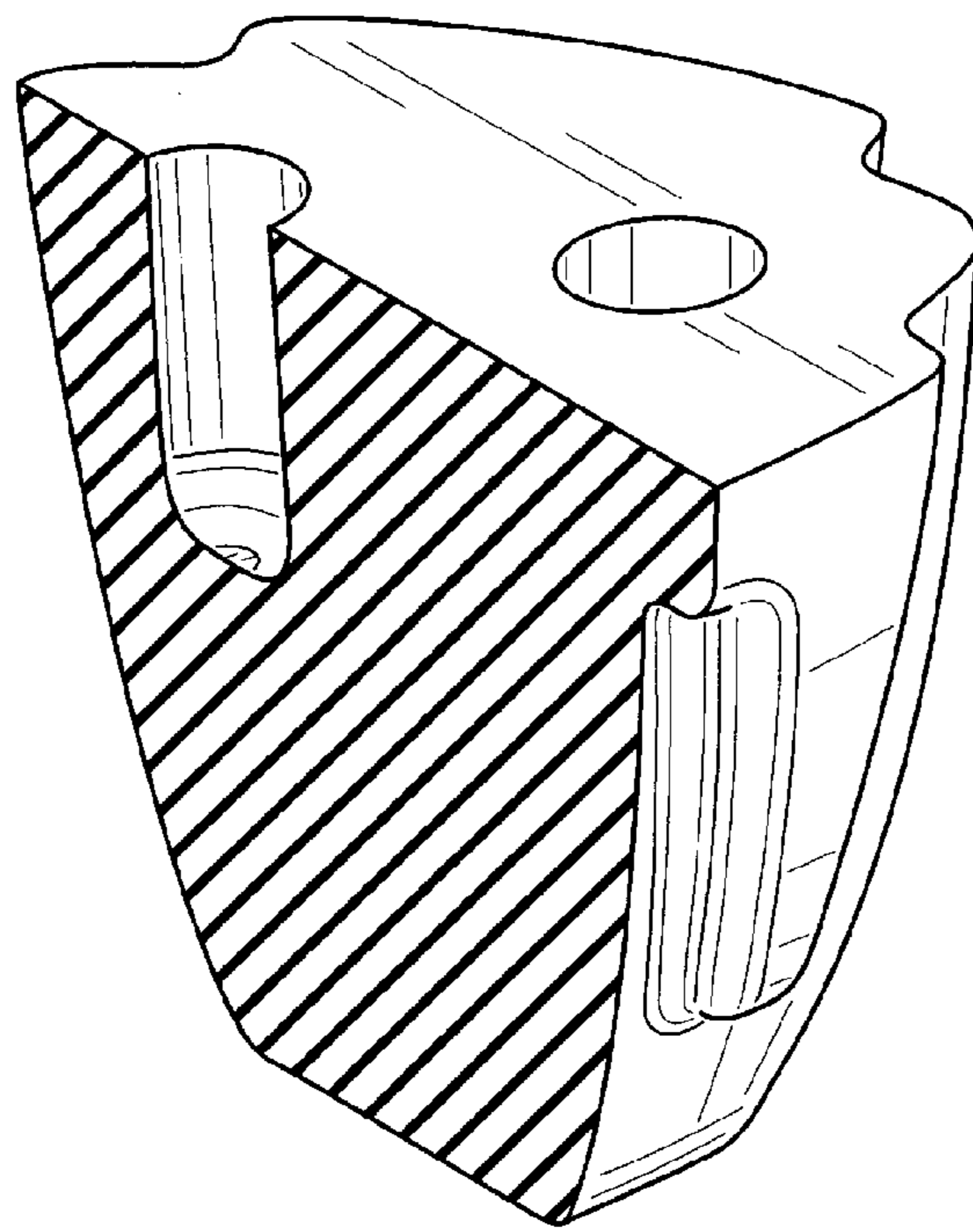


FIG. 16