



US00D683250S

(12) **United States Design Patent**
Marzynski et al.

(10) **Patent No.:** **US D683,250 S**

(45) **Date of Patent:** **** May 28, 2013**

(54) **CLAMP MODULE WITH WIRELESS TRANSMITTER**

(75) Inventors: **Matthew B. Marzynski**, Seattle, WA (US); **Huang Wei**, Shanghai (CN)

(73) Assignee: **Fluke Corporation**, Everett, WA (US)

(**) Term: **14 Years**

(21) Appl. No.: **29/414,304**

(22) Filed: **Feb. 27, 2012**

(51) **LOC (9) Cl.** **10-04**

(52) **U.S. Cl.**
USPC **D10/79**

(58) **Field of Classification Search**

USPC D10/79; 324/72.5, 556, 133, 149, 324/503, 543, 555, 66, 72, 754, 115, 141, 324/116, 126, 127, 156; 340/635, 687; 439/822, 439/858

See application file for complete search history.

(56) **References Cited**

U.S. PATENT DOCUMENTS

D457,451 S *	5/2002	Chen	D10/79
D467,190 S *	12/2002	Ikeda et al.	D10/79
D567,687 S *	4/2008	Elrod	D10/79
D585,316 S *	1/2009	Chang	D10/79
D640,152 S *	6/2011	Laurino et al.	D10/79
D642,945 S *	8/2011	Marzynski et al.	D10/79
8,159,211 B2 *	4/2012	Wang et al.	324/127
8,330,449 B2 *	12/2012	Greenberg	324/127

* cited by examiner

Primary Examiner — Antoine D Davis

(74) *Attorney, Agent, or Firm* — Perkins Coie LLP

(57) **CLAIM**

The ornamental design for a clamp module with wireless transmitter, as shown.

DESCRIPTION

FIG. 1 is a perspective view of a clamp module with wireless transmitter.

FIG. 2 is a front plan view thereof.

FIG. 3 is a back plan view thereof.

FIG. 4 is a left view thereof.

FIG. 5 is a right view thereof.

FIG. 6 is a bottom view thereof.

FIG. 7 is a top view thereof.

FIG. 8 is a perspective view of a second embodiment of a clamp module with wireless transmitter.

FIG. 9 is a front plan view thereof.

FIG. 10 is a back plan view thereof.

FIG. 11 is a left view thereof.

FIG. 12 is a right view thereof.

FIG. 13 is a bottom view thereof.

FIG. 14 is a top view thereof.

FIG. 15 is a perspective view of a third embodiment of a clamp module with wireless transmitter.

FIG. 16 is a front plan view thereof.

FIG. 17 is a back plan view thereof.

FIG. 18 is a left view thereof.

FIG. 19 is a right view thereof.

FIG. 20 is a bottom view thereof.

FIG. 21 is a top view thereof.

FIG. 22 is a perspective view of a fourth embodiment of a clamp module with wireless transmitter.

FIG. 23 is a front plan view thereof.

FIG. 24 is a back plan view thereof.

FIG. 25 is a left view thereof.

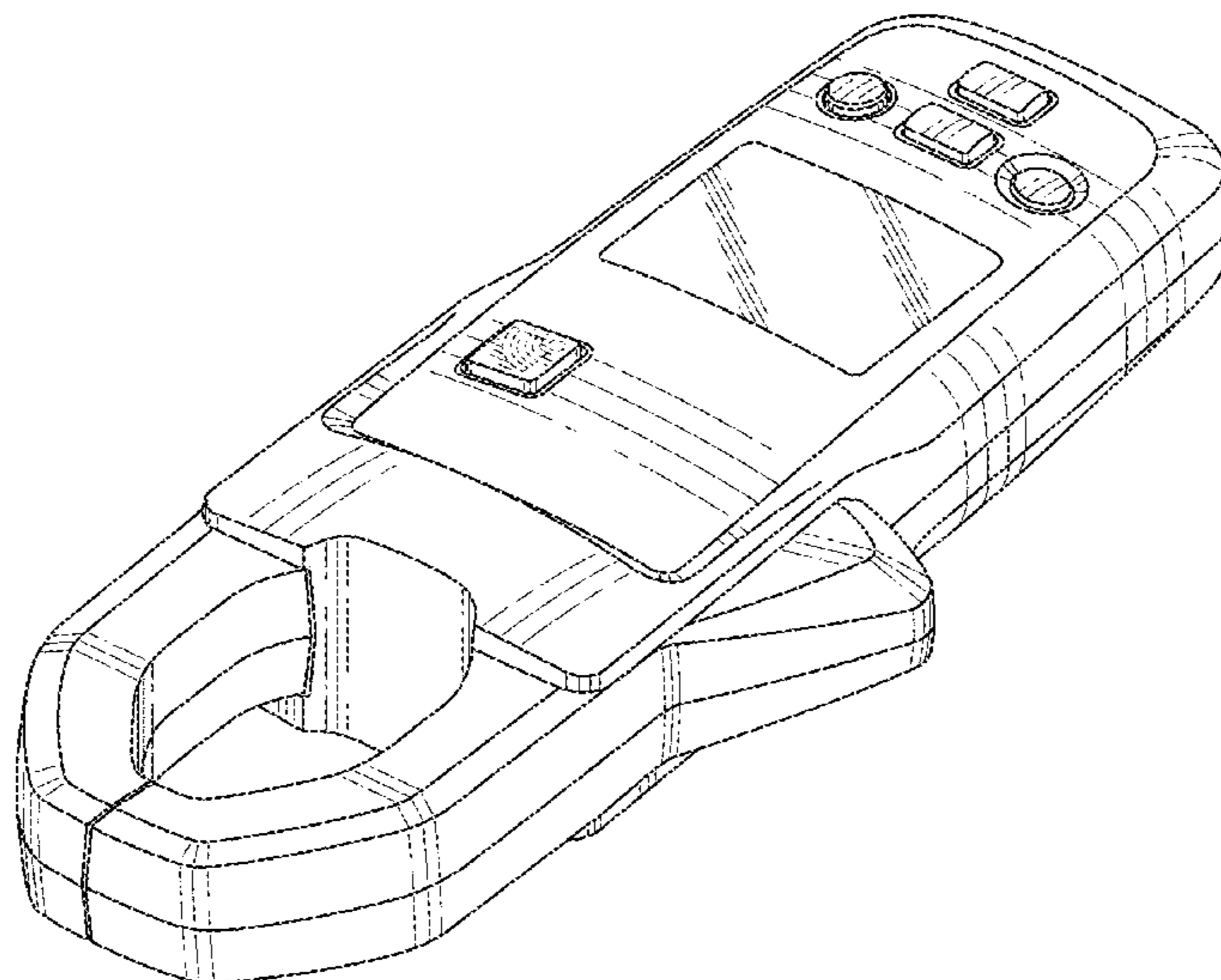
FIG. 26 is a right view thereof.

FIG. 27 is a bottom view thereof; and,

FIG. 28 is a top view thereof.

The broken lines form no part of the claimed design.

1 Claim, 16 Drawing Sheets



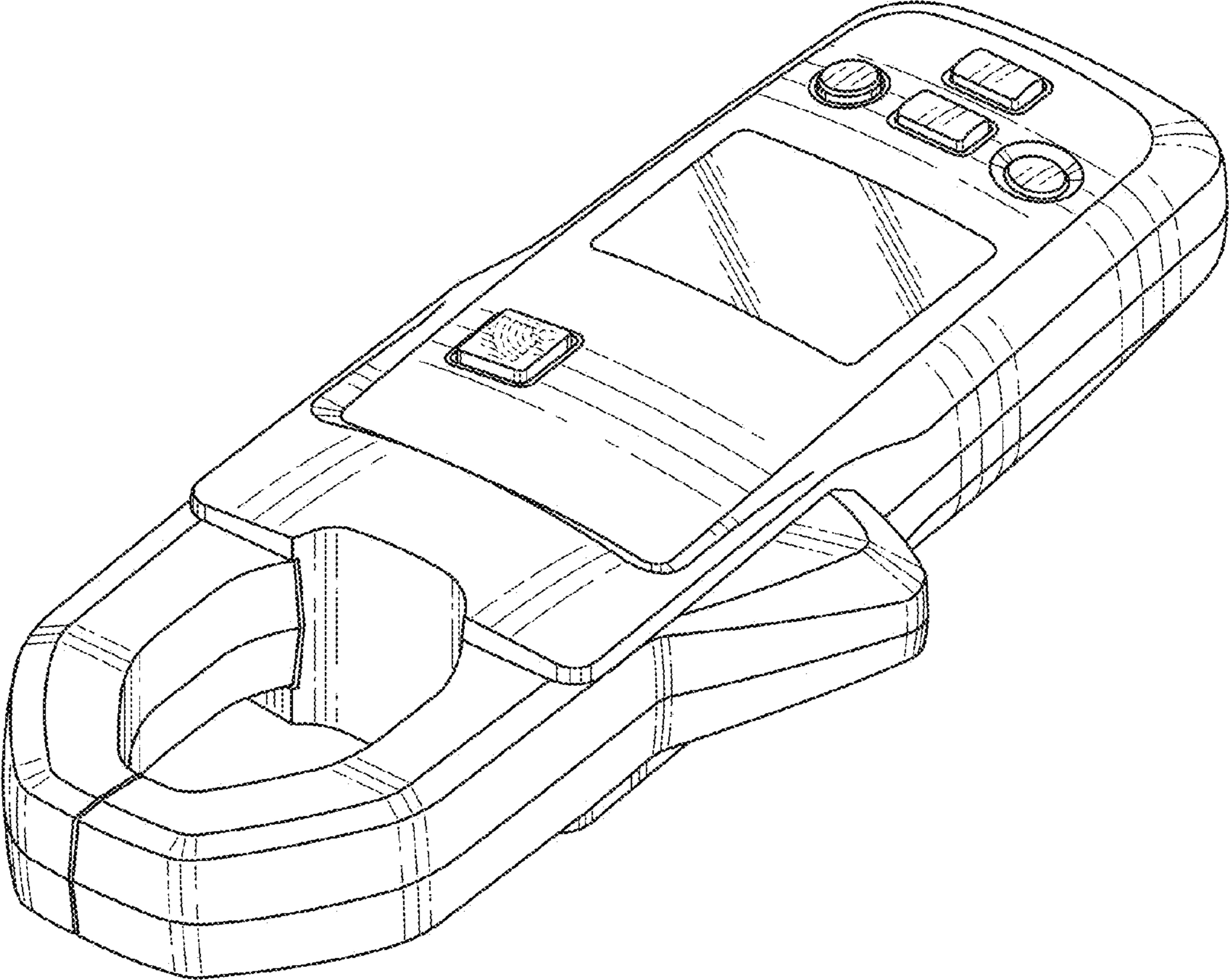


FIG. 1

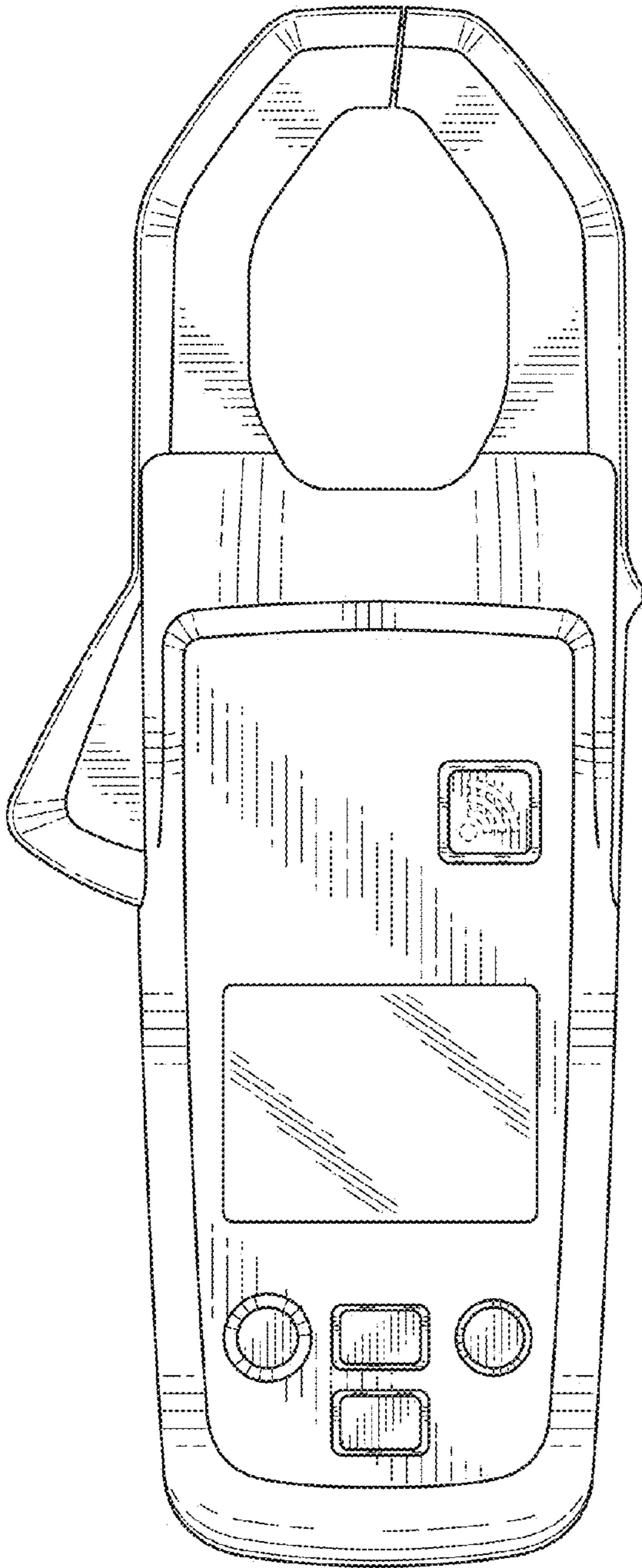


FIG. 2

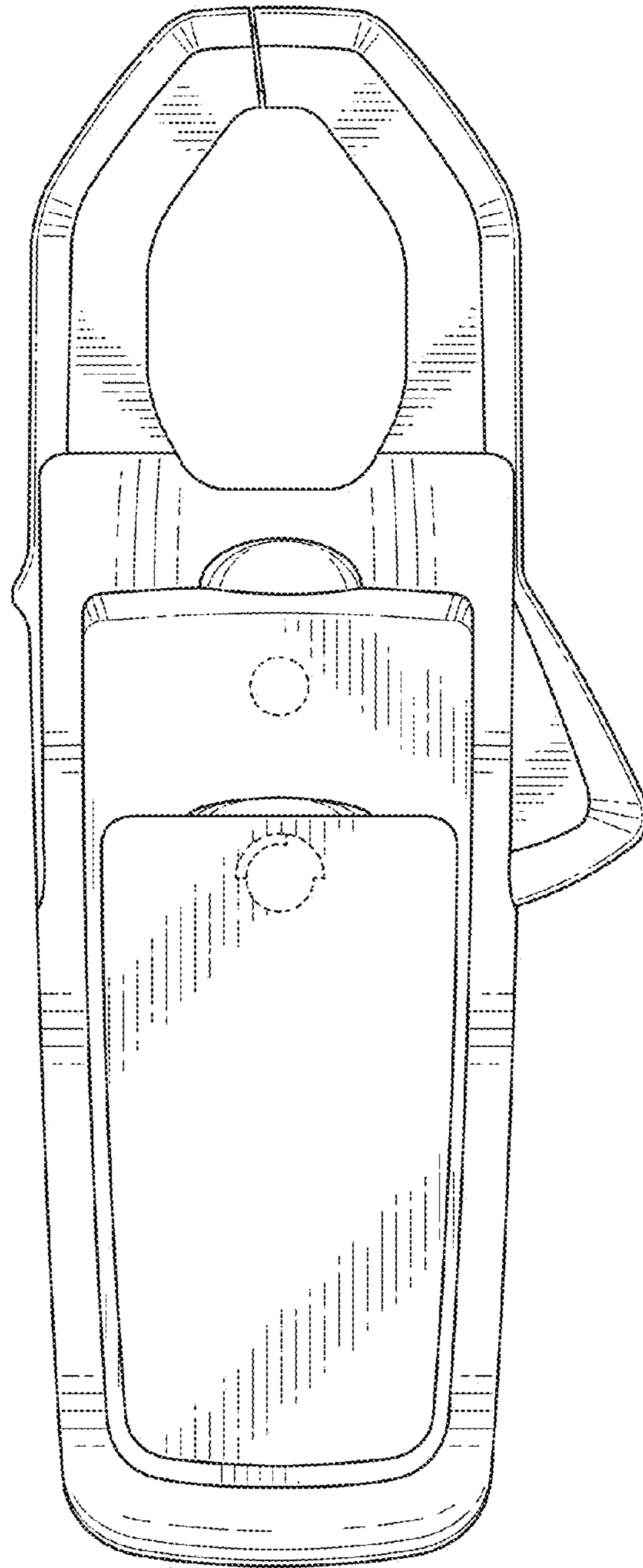


FIG. 3

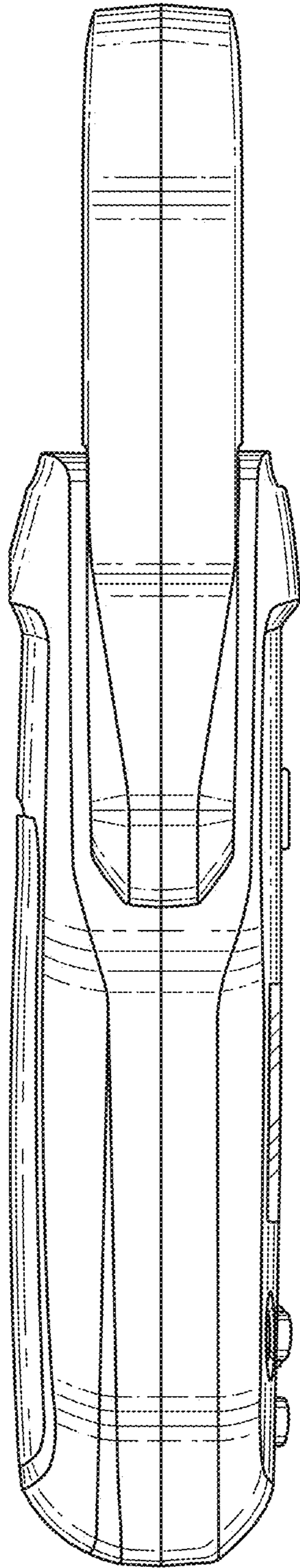


FIG. 4

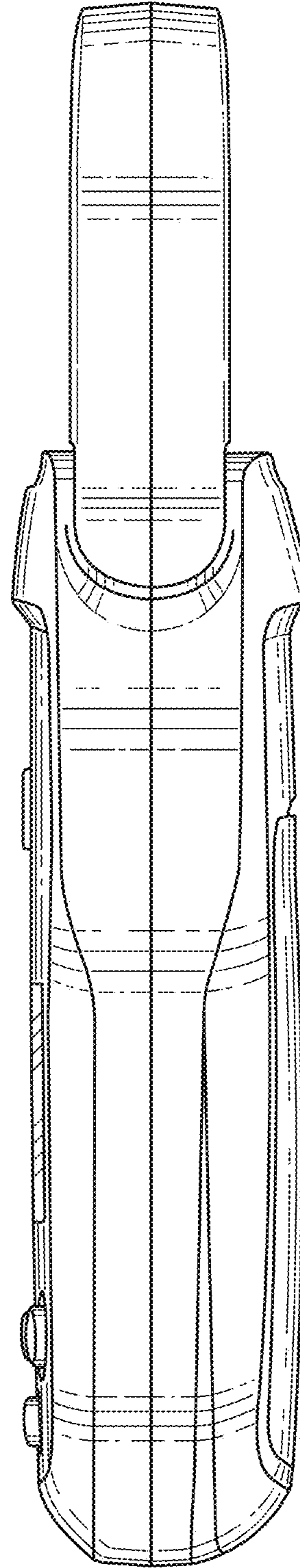


FIG. 5

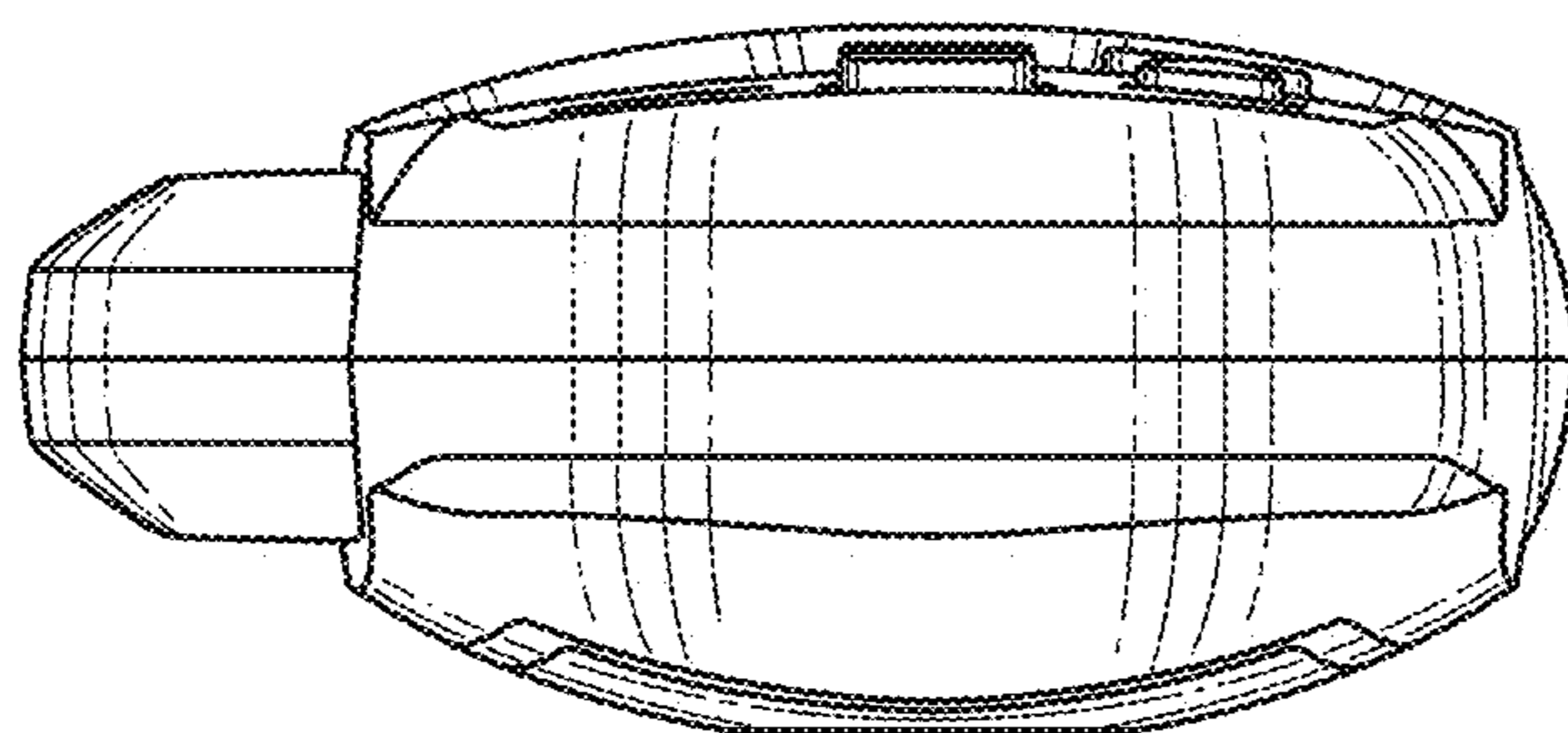


FIG. 6

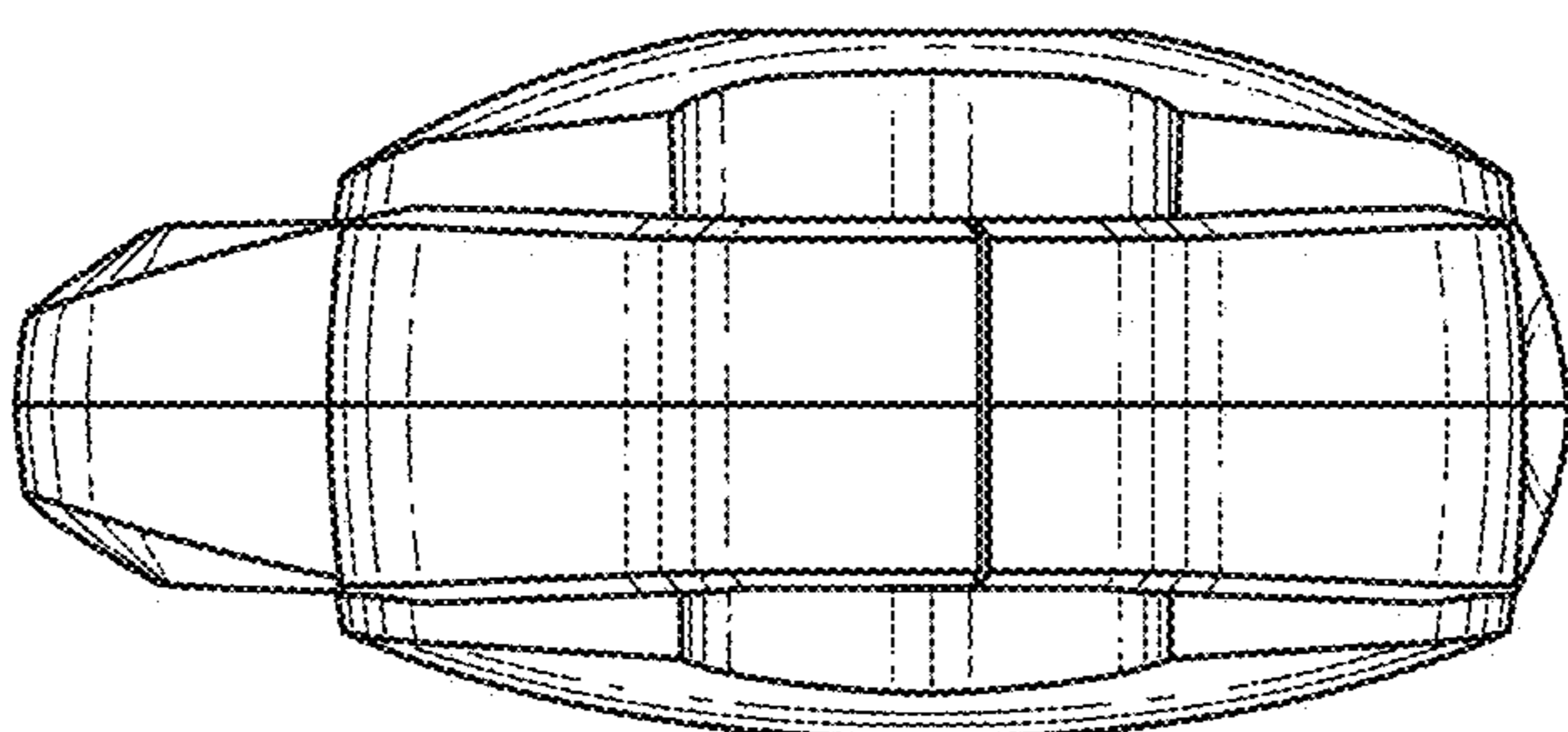


FIG. 7

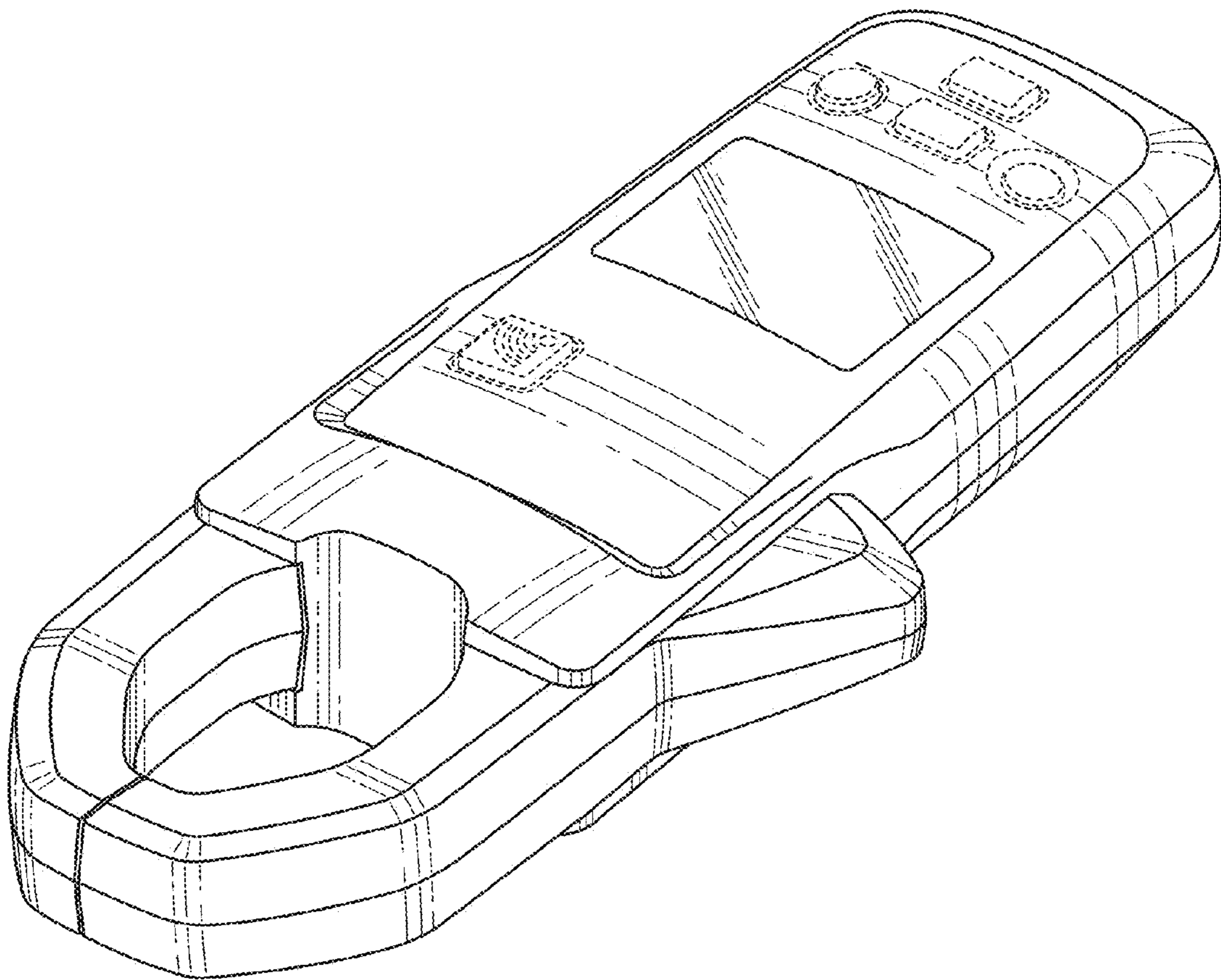


FIG. 8

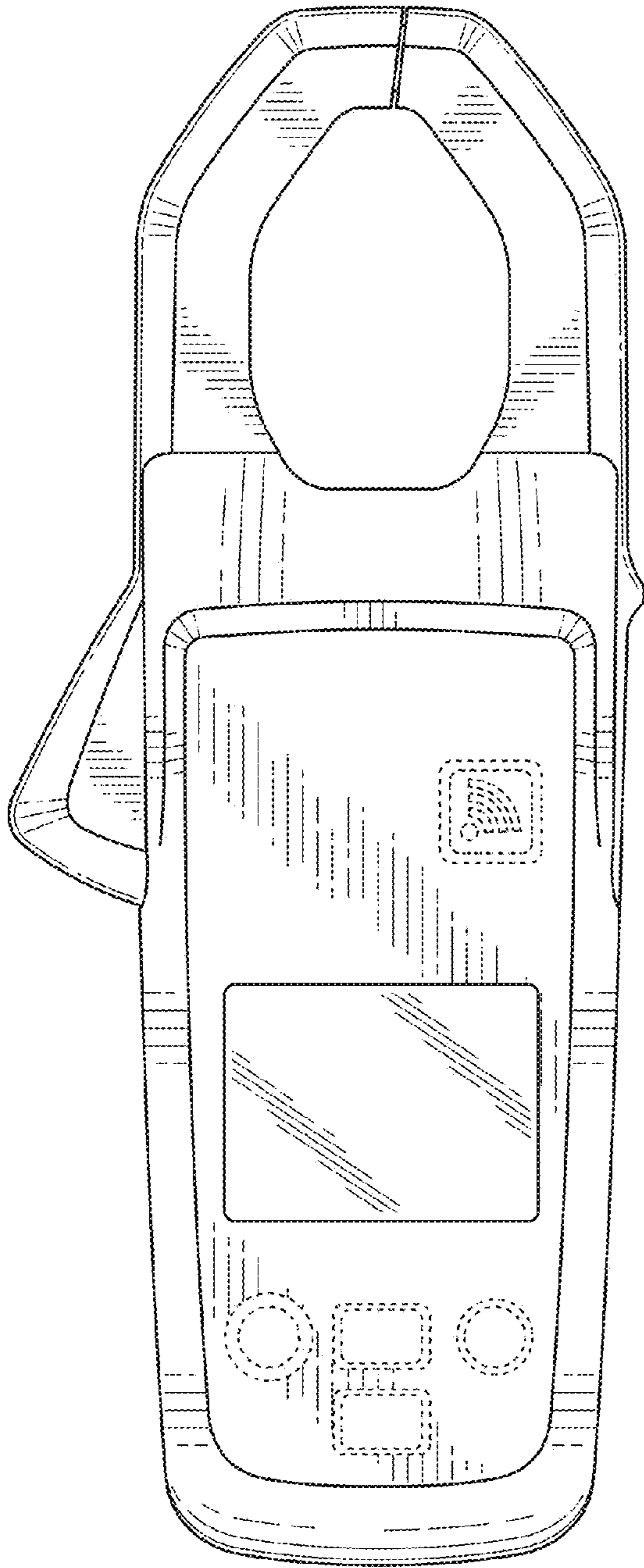


FIG. 9

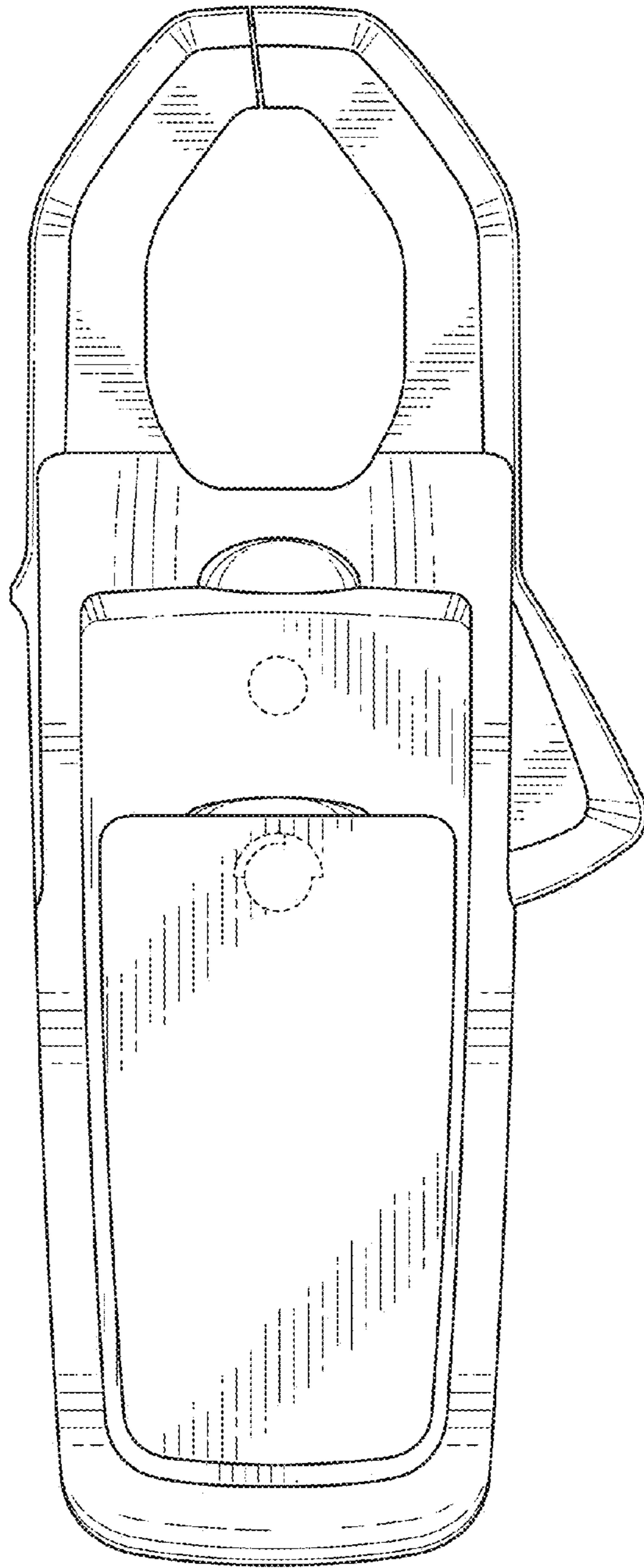


FIG. 10

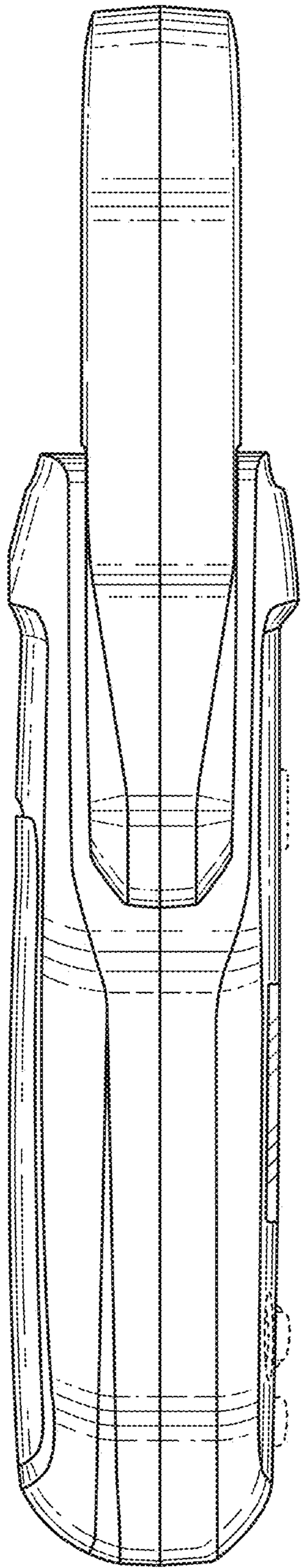


FIG. 11

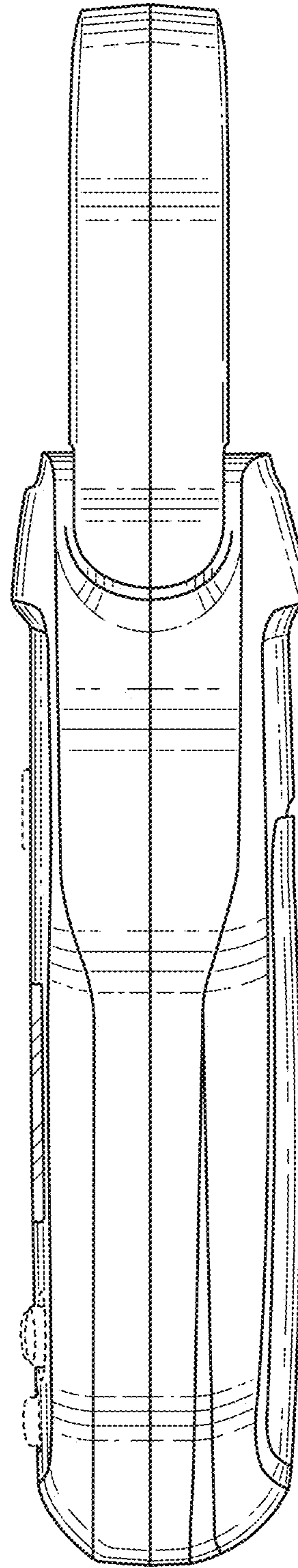


FIG. 12

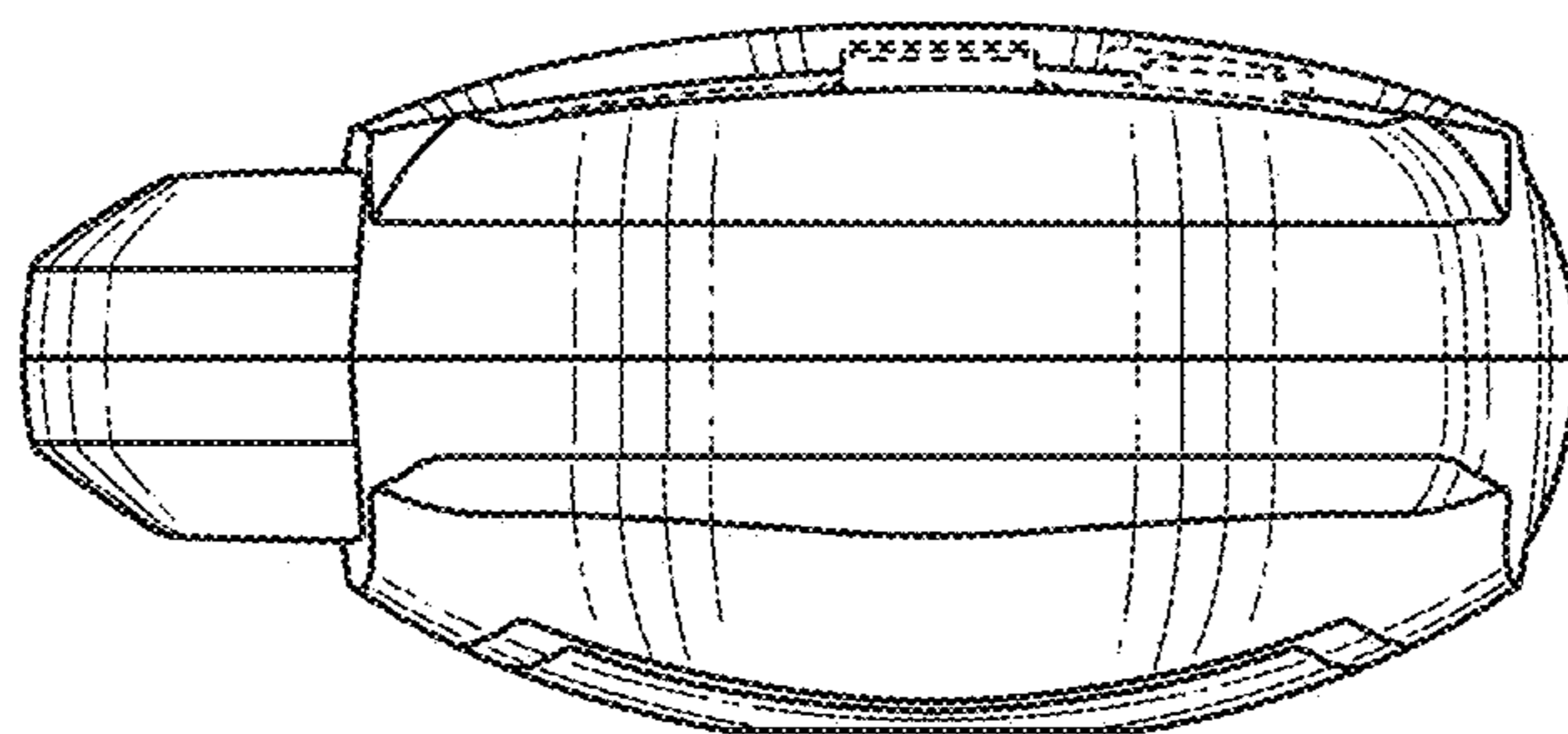


FIG. 13

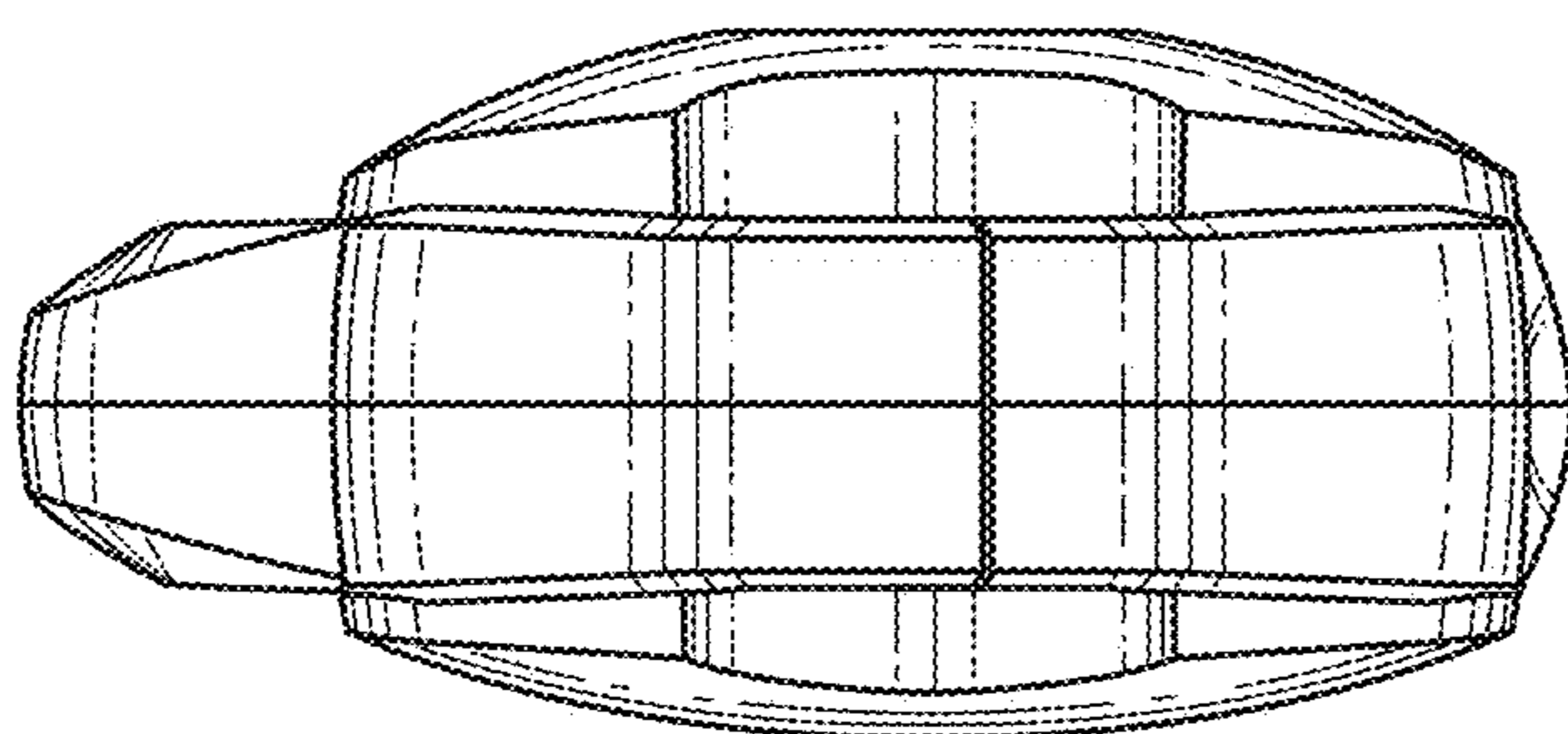


FIG. 14

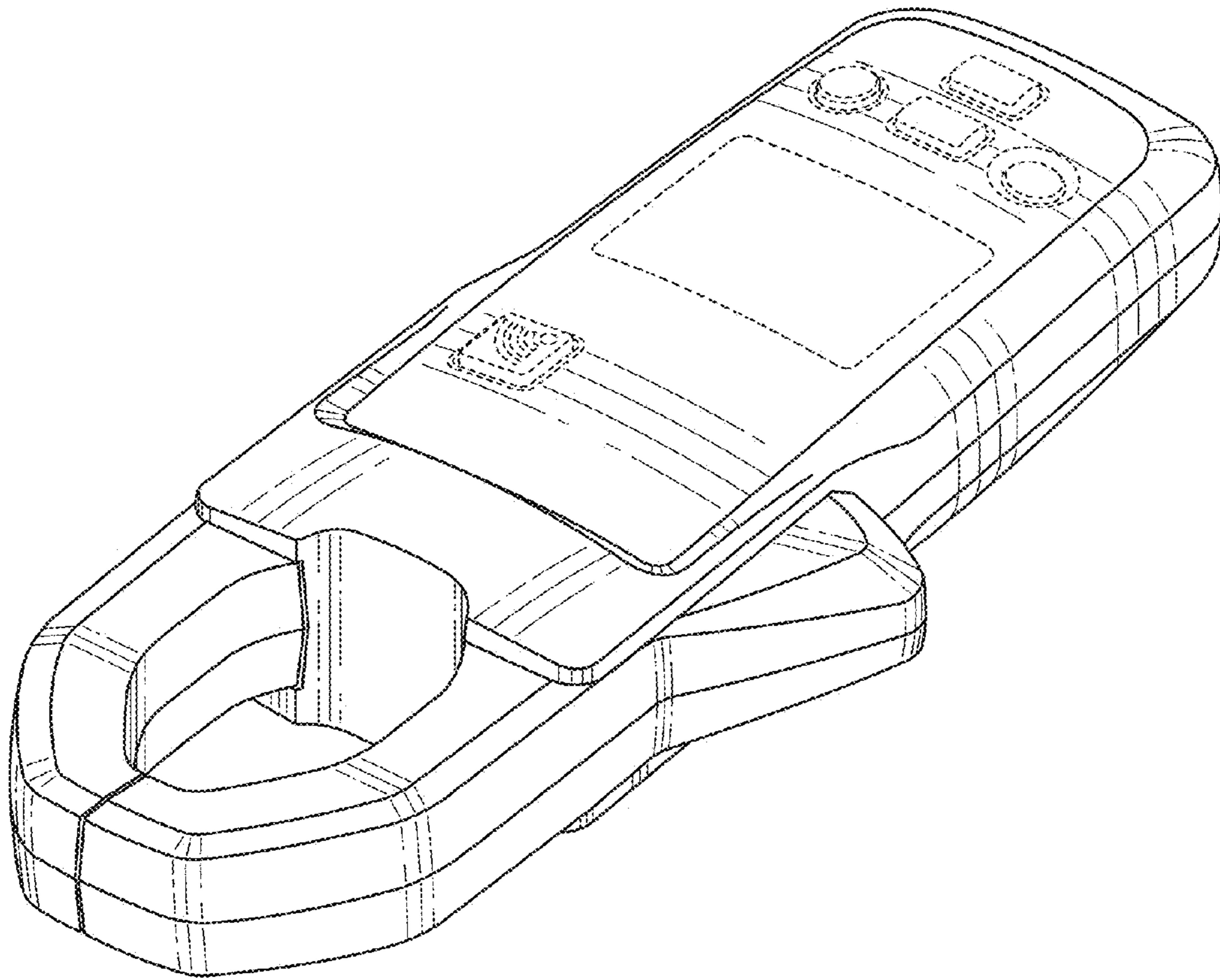


FIG. 15

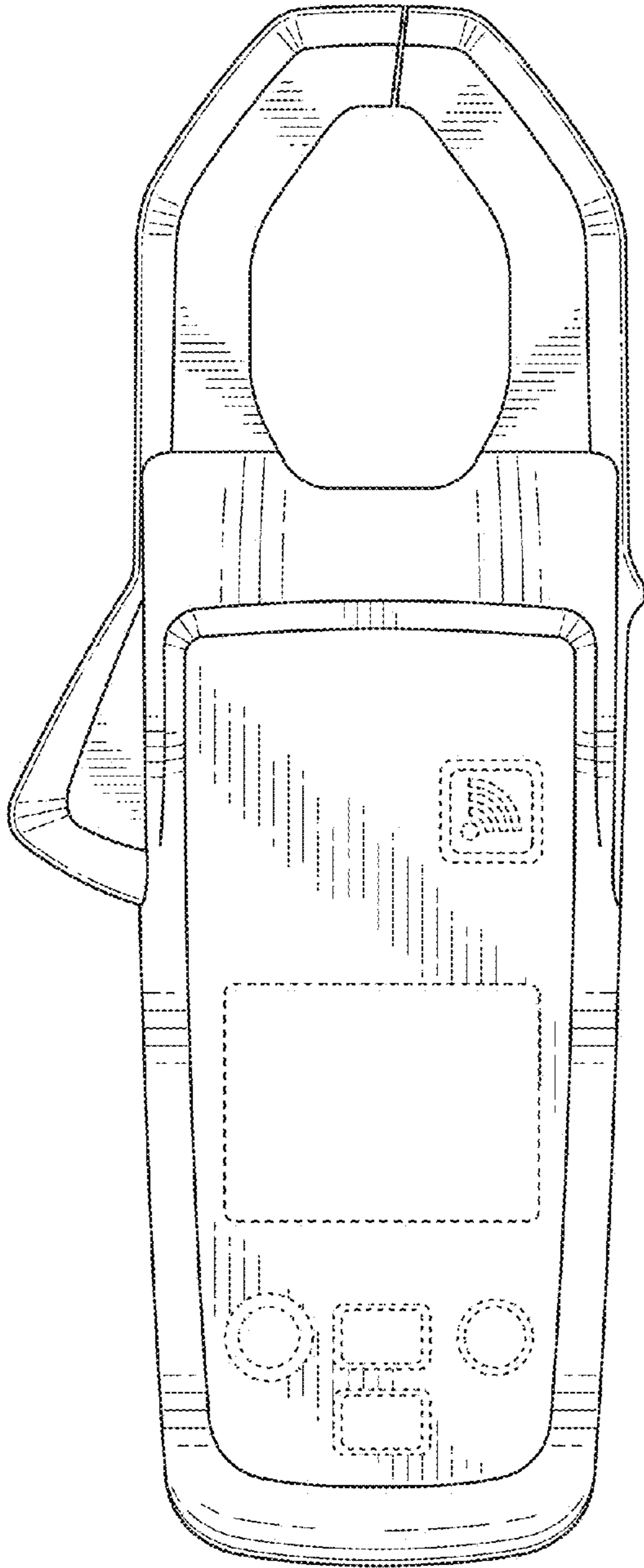


FIG. 16

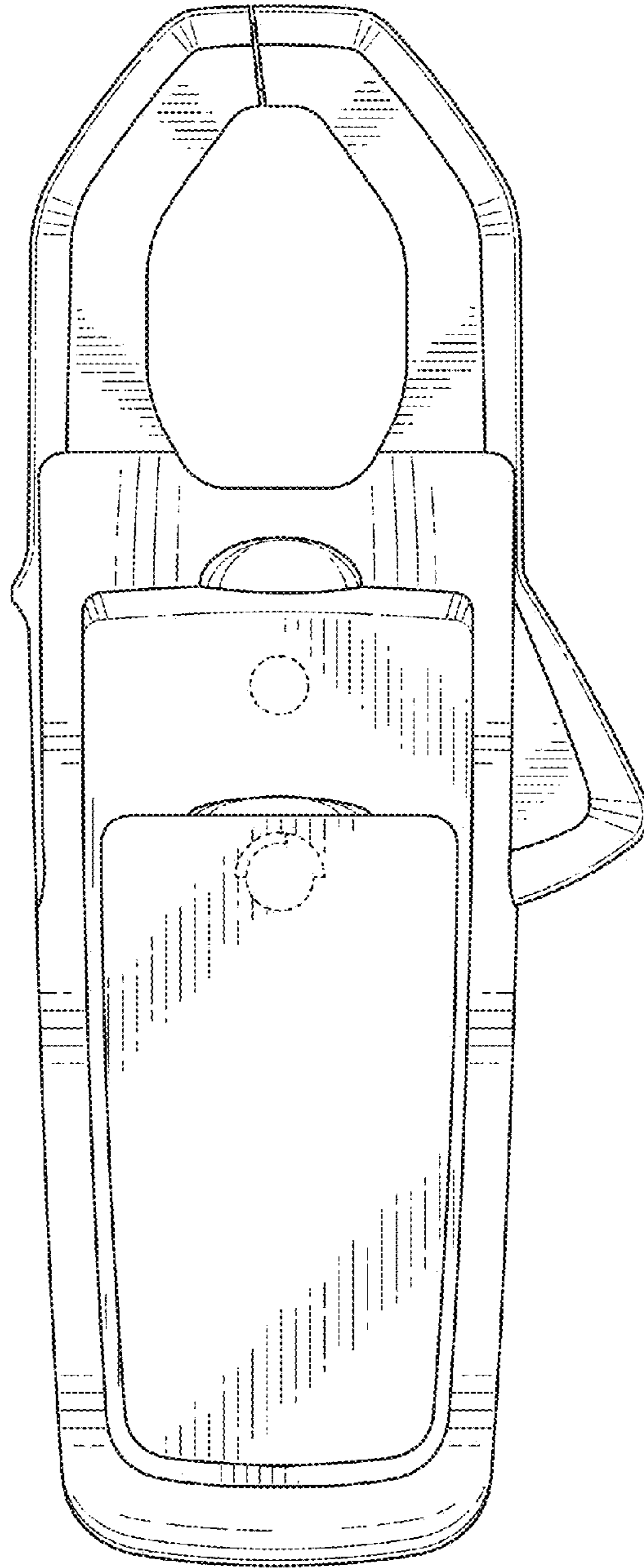


FIG. 17

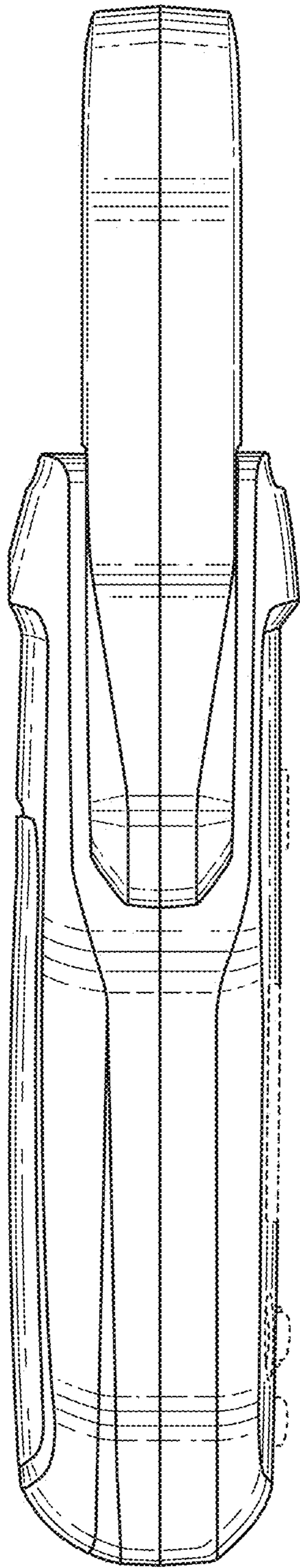


FIG. 18

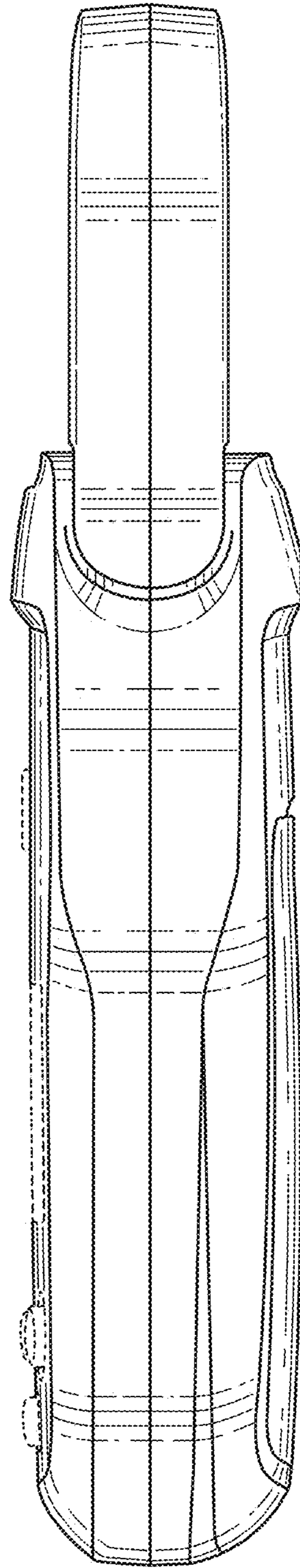


FIG. 19

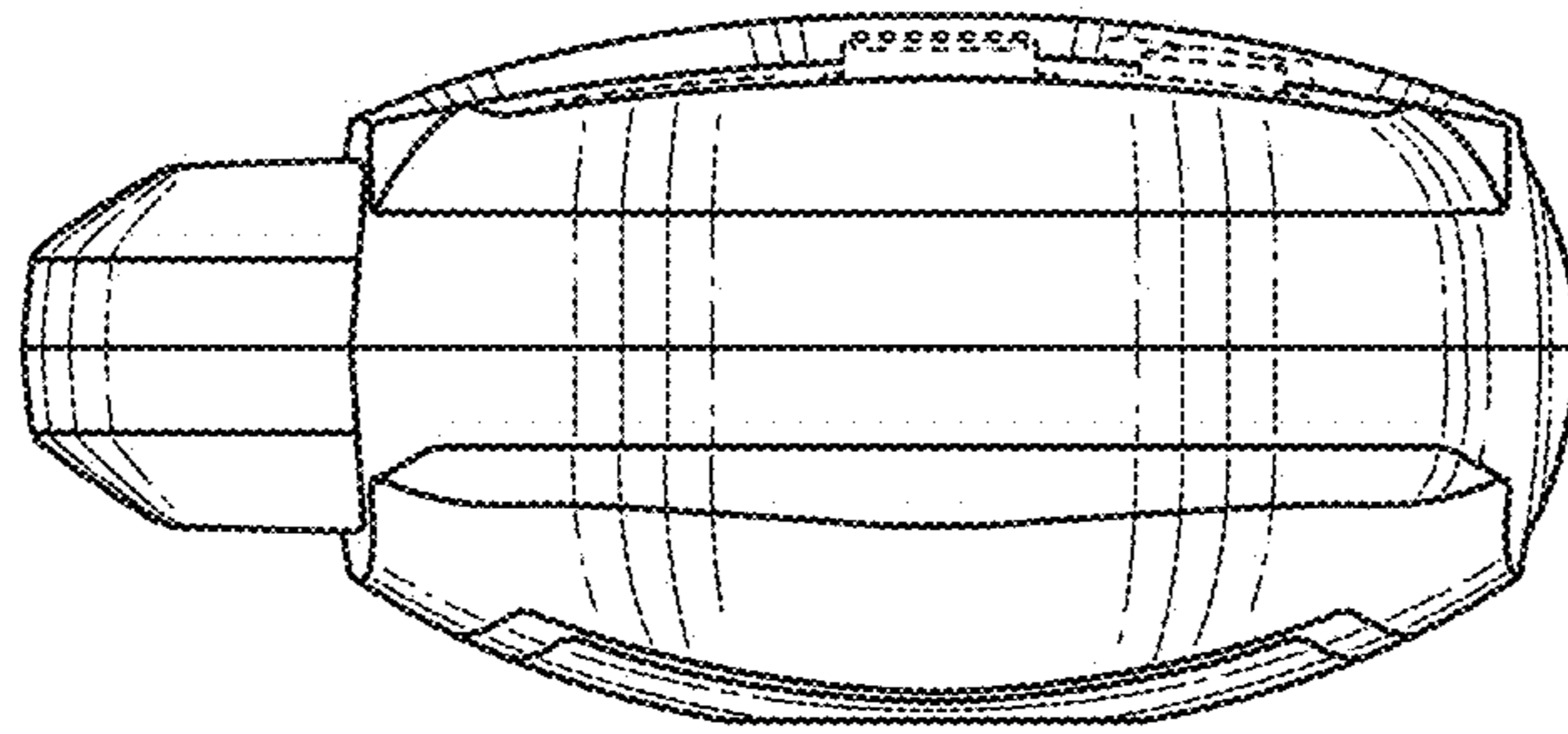


FIG. 20

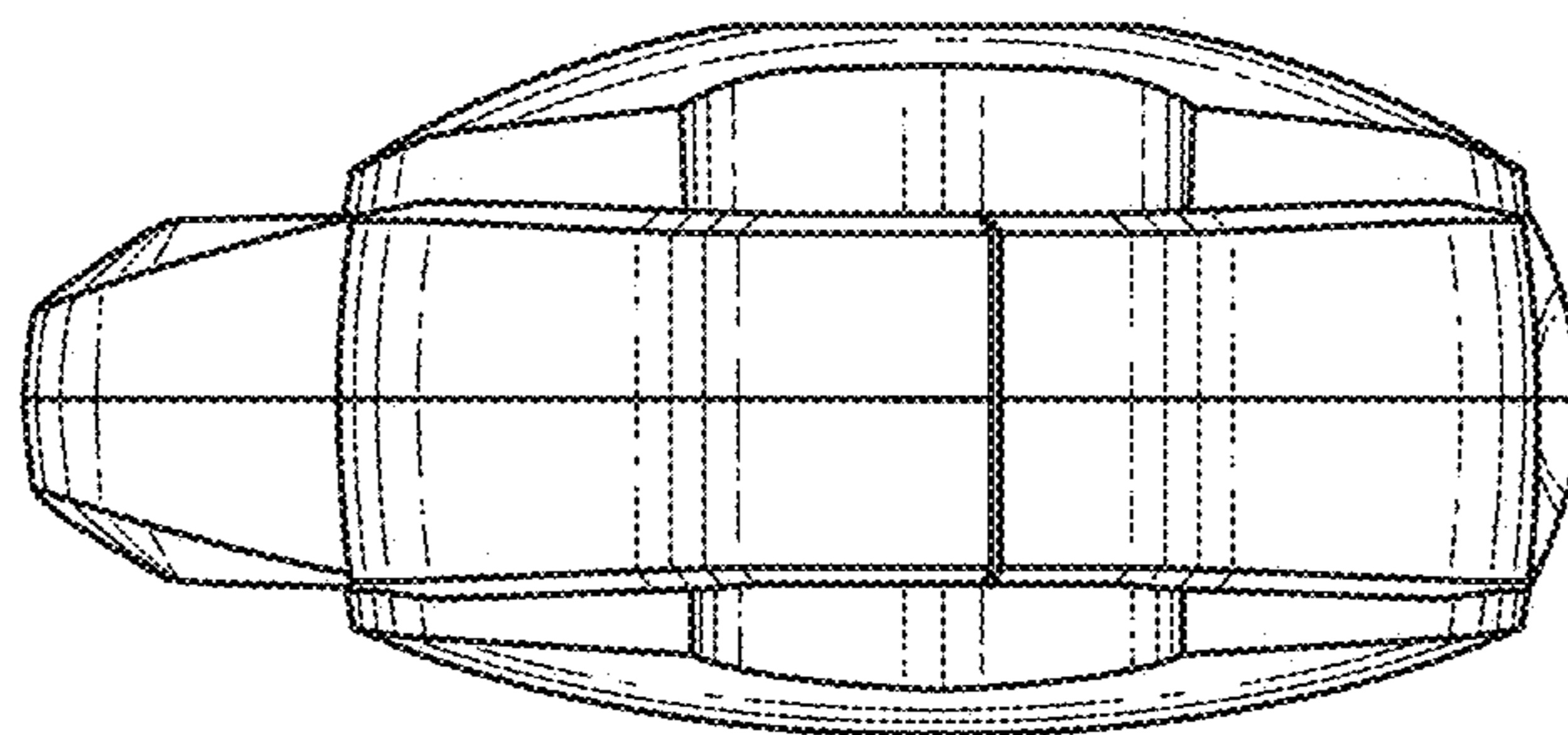


FIG. 21

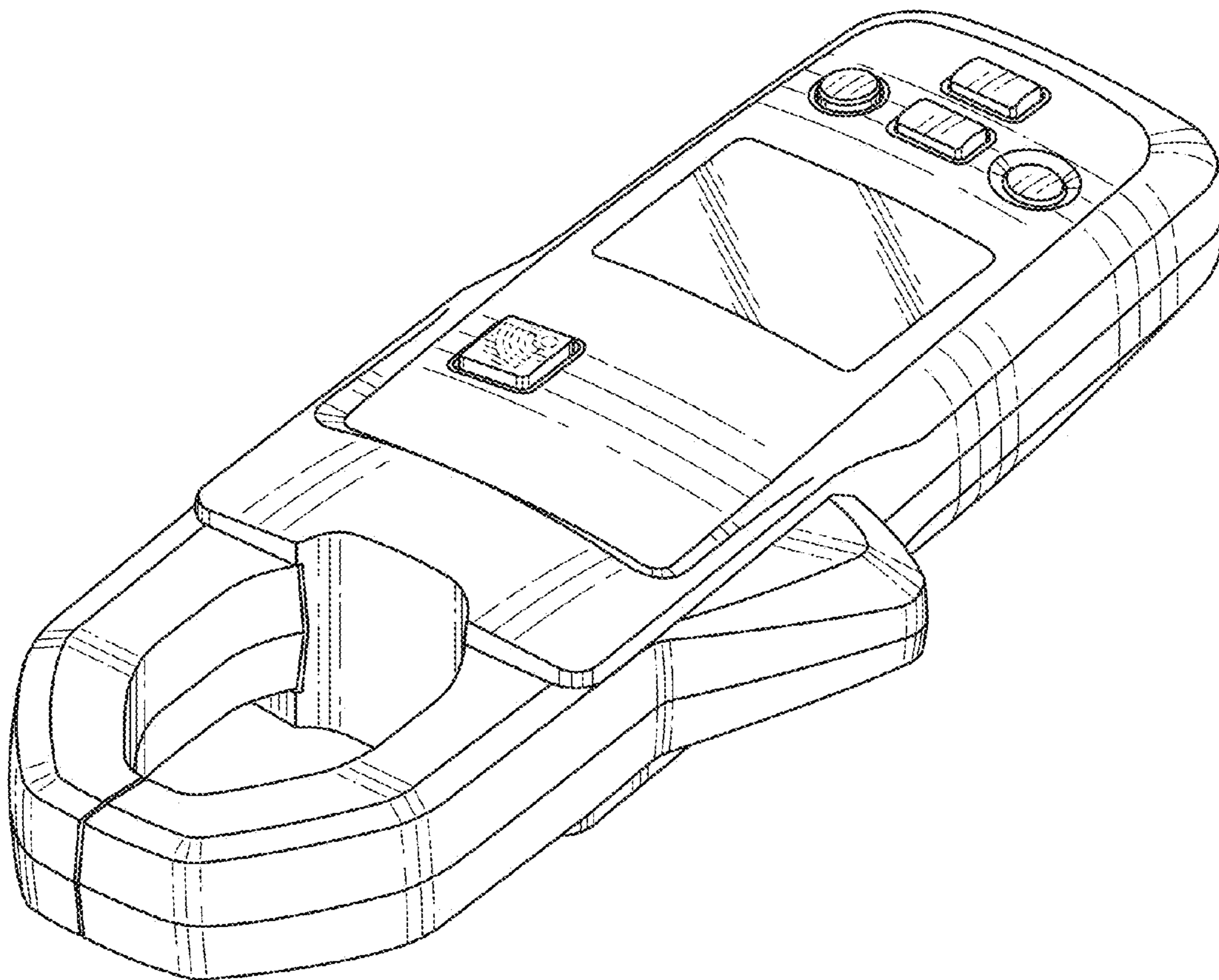


FIG. 22

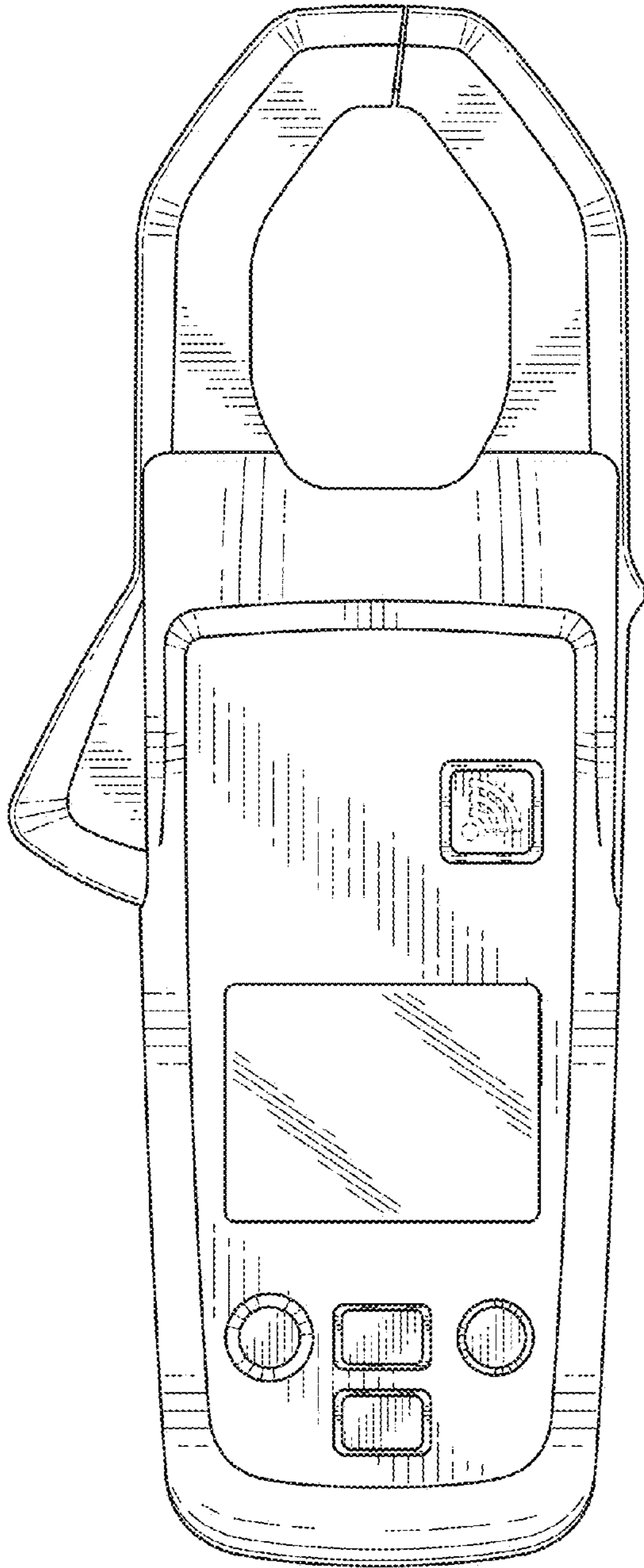


FIG. 23

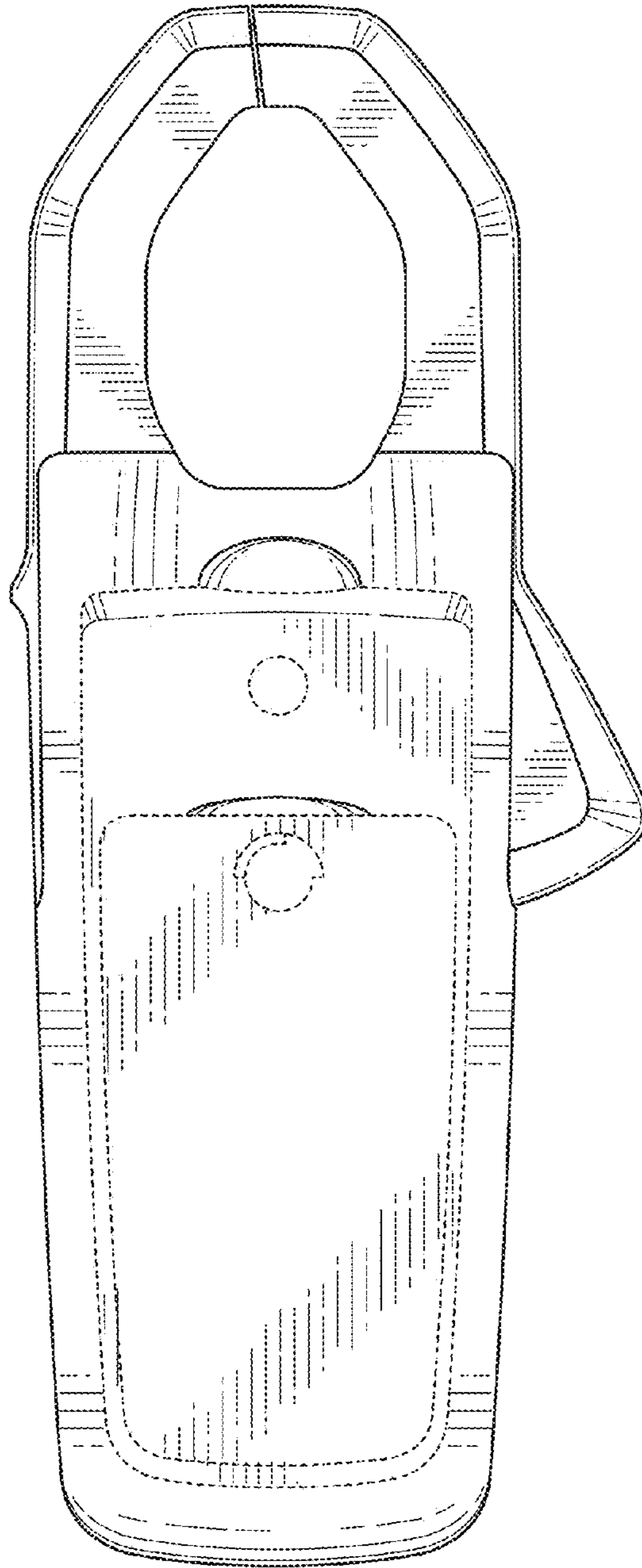


FIG. 24

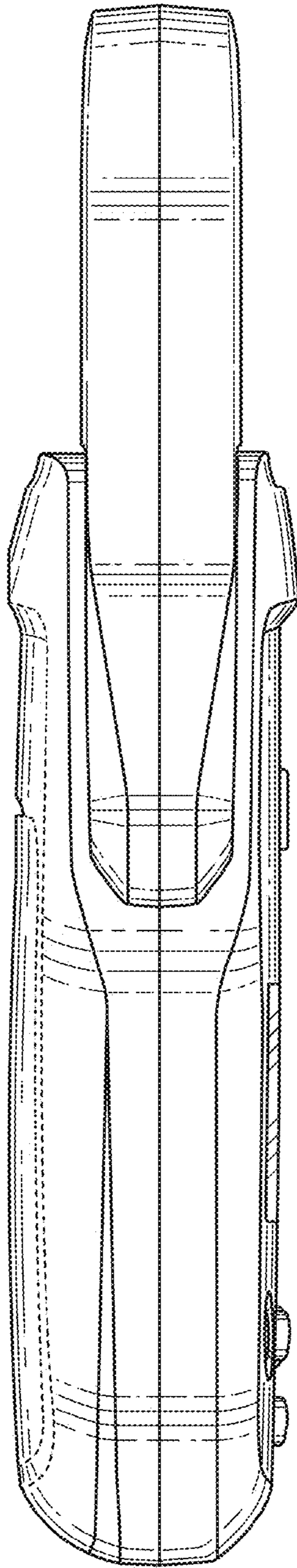


FIG. 25

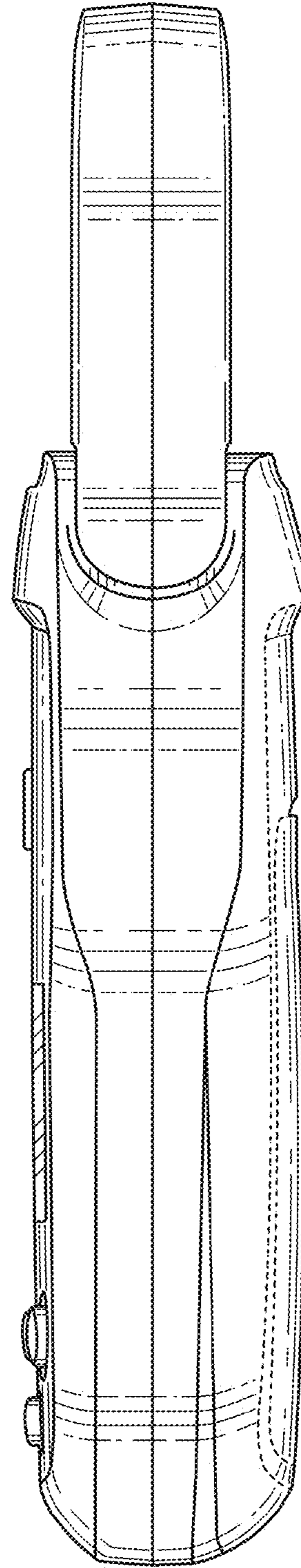


FIG. 26

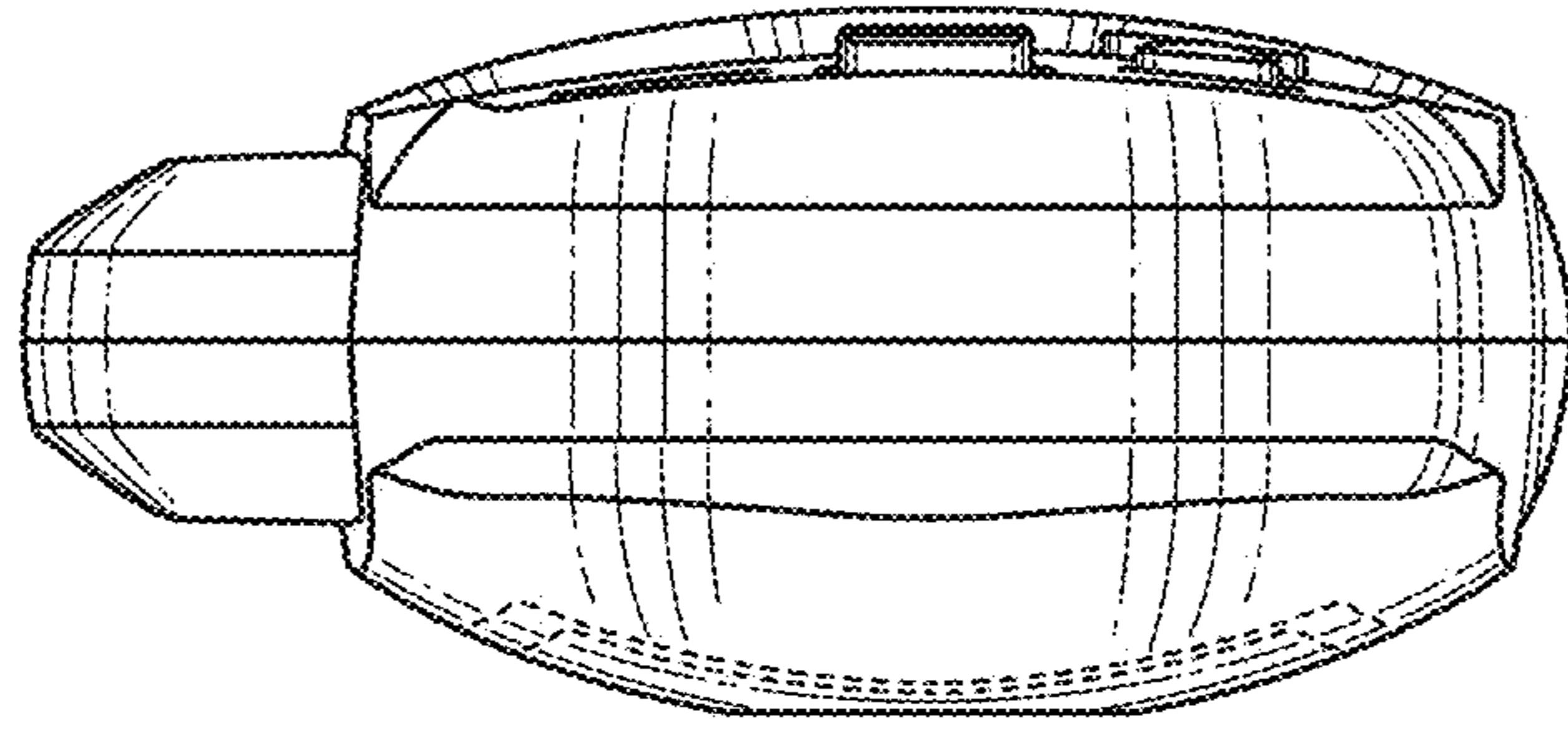


FIG. 27

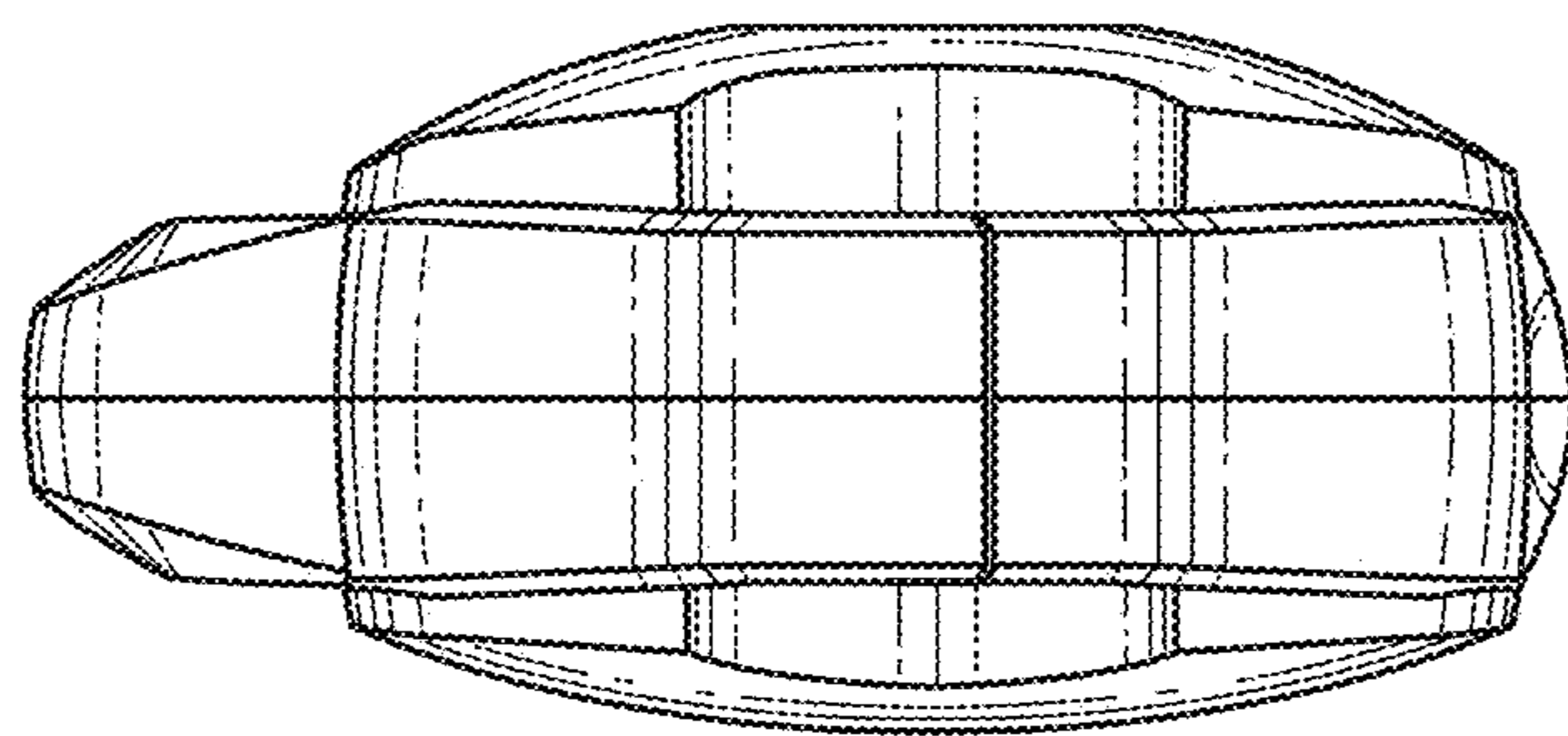


FIG. 28