



US00D683249S

(12) **United States Design Patent**  
**McKinley et al.**

(10) **Patent No.:** **US D683,249 S**

(45) **Date of Patent:** **\*\* May 28, 2013**

(54) **POWER DISTRIBUTION LINE SENSOR CASING**

(75) Inventors: **Michael Wayne McKinley**, Xenia, OH (US); **Christopher Robert Collins**, Piqua, OH (US); **Everett Paul Trittschuh, III**, Lewisburg, OH (US)

(73) Assignee: **Grid Sentry LLC**, Beavercreek, OH (US)

(\*\*) Term: **14 Years**

(21) Appl. No.: **29/413,300**

(22) Filed: **Feb. 14, 2012**

(51) **LOC (9) Cl.** ..... **10-04**

(52) **U.S. Cl.**  
USPC ..... **D10/79**; D10/75

(58) **Field of Classification Search** ..... D10/75,  
D10/79; 324/117 H, 117 R, 126, 127, 128  
See application file for complete search history.

(56) **References Cited**

U.S. PATENT DOCUMENTS

4,296,376	A *	10/1981	Bartol, Jr.	.....	324/235
D362,197	S *	9/1995	Fujino	.....	D10/75
5,942,964	A *	8/1999	Takeuchi	.....	336/92
8,208,328	B2 *	6/2012	Hong	.....	365/203

\* cited by examiner

*Primary Examiner* — Antoine D Davis

(74) *Attorney, Agent, or Firm* — Thompson Hine L.L.P.

(57) **CLAIM**

The ornamental design for a power distribution line sensor casing, as shown and described.

**DESCRIPTION**

FIG. 1 is a top view of the power distribution line sensor casing;

FIG. 2 is a left-side elevational view thereof;

FIG. 3 is a right-side elevational view thereof;

FIG. 4 is a front view thereof;

FIG. 5 is a rear view thereof;

FIG. 6 is a bottom view thereof;

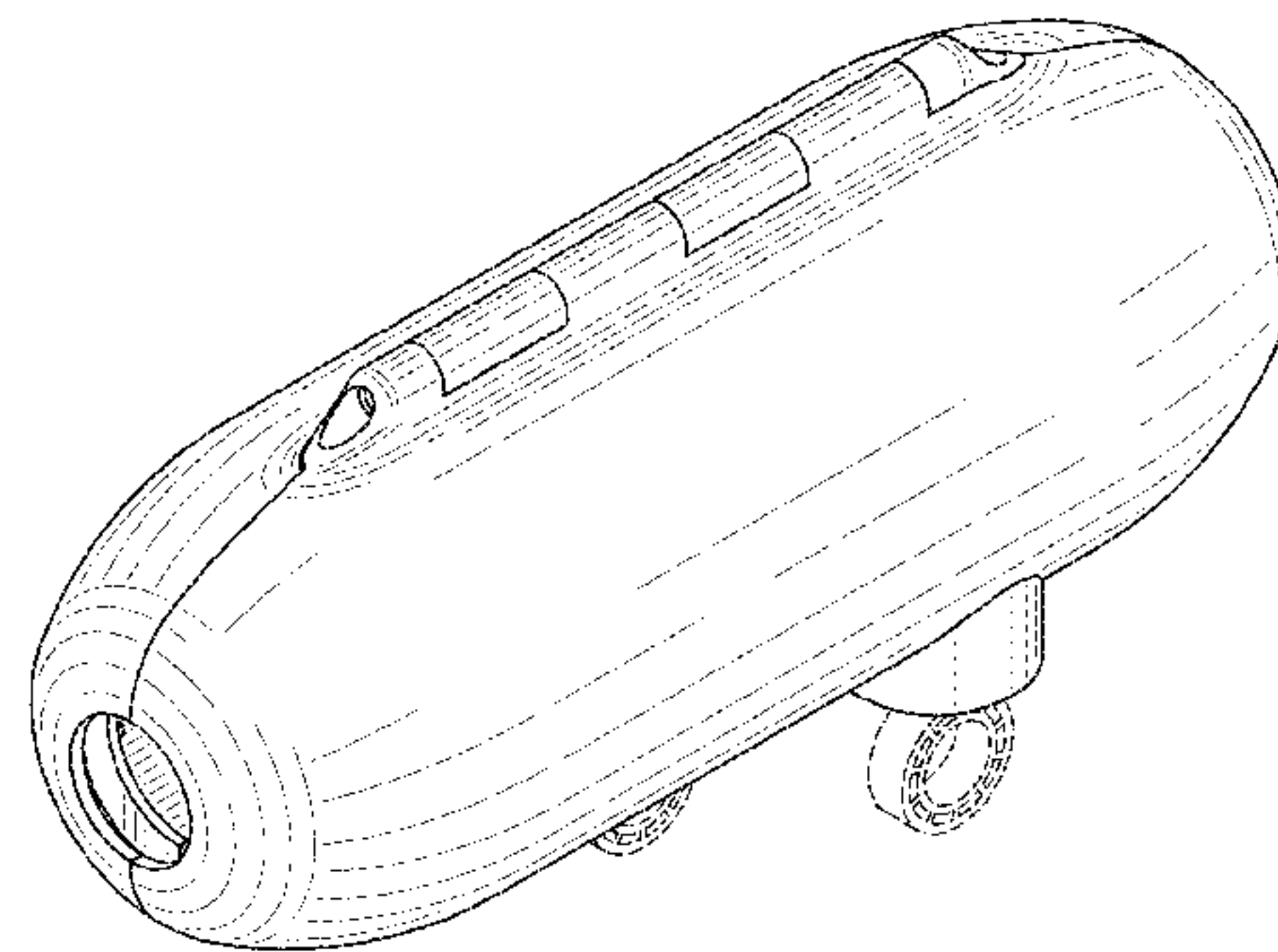
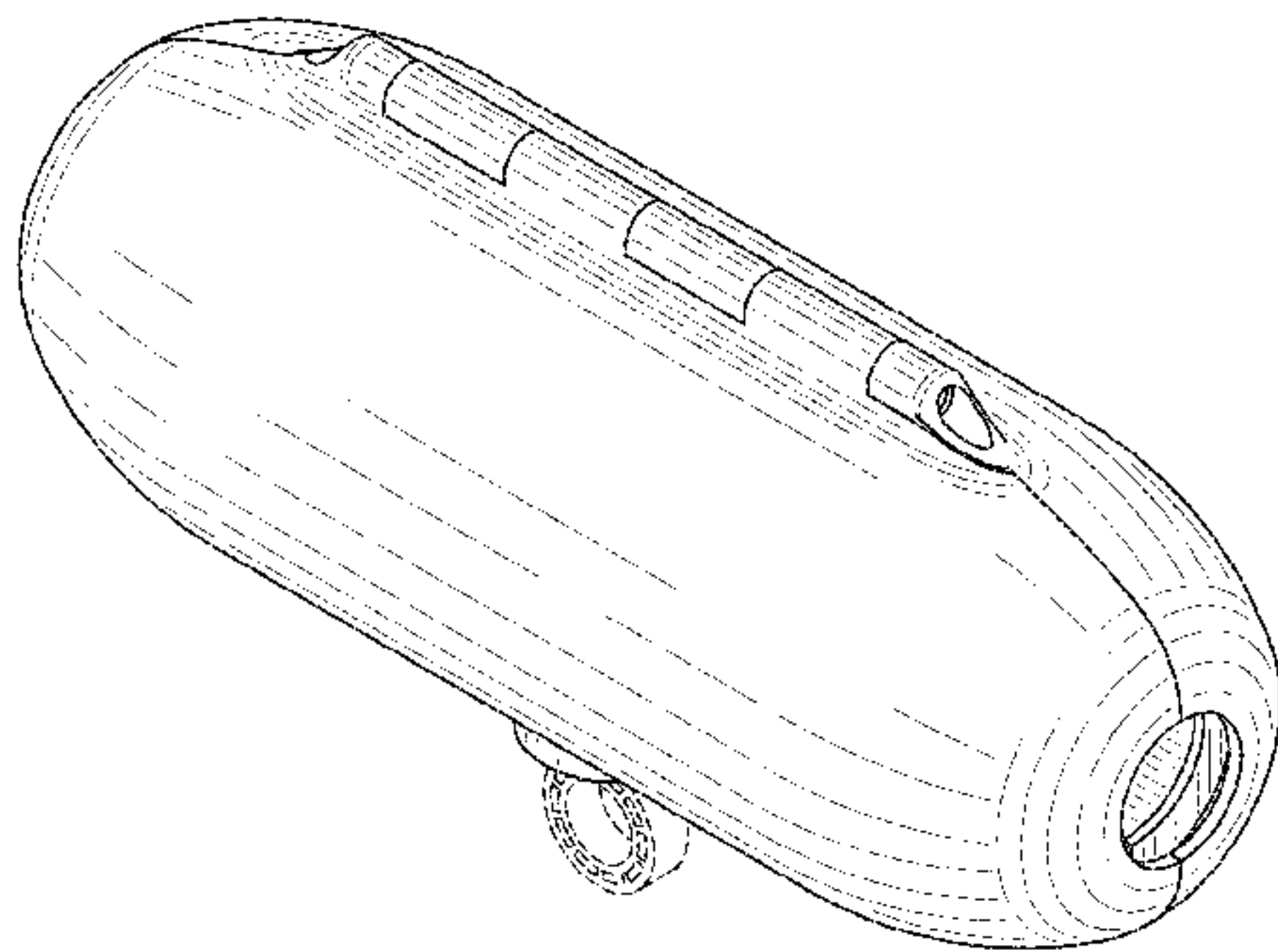
FIG. 7 is a front right isometric view thereof;

FIG. 8 is a rear right isometric view thereof; and,

FIG. 9 is an isometric view of the bottom side structure.

When broken lines are present in a figure, including those forming text, that portion of the figure is present for illustrative purposes only and forms no part of the claimed design.

**1 Claim, 5 Drawing Sheets**



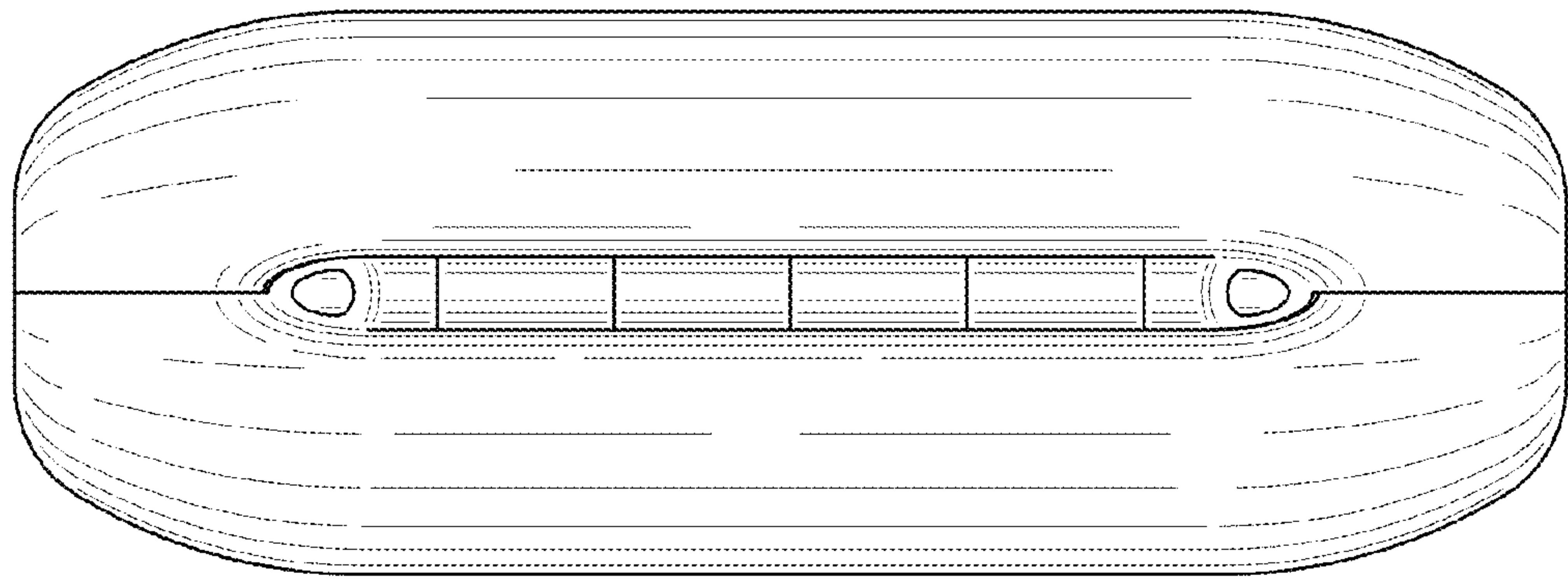


FIG. 1

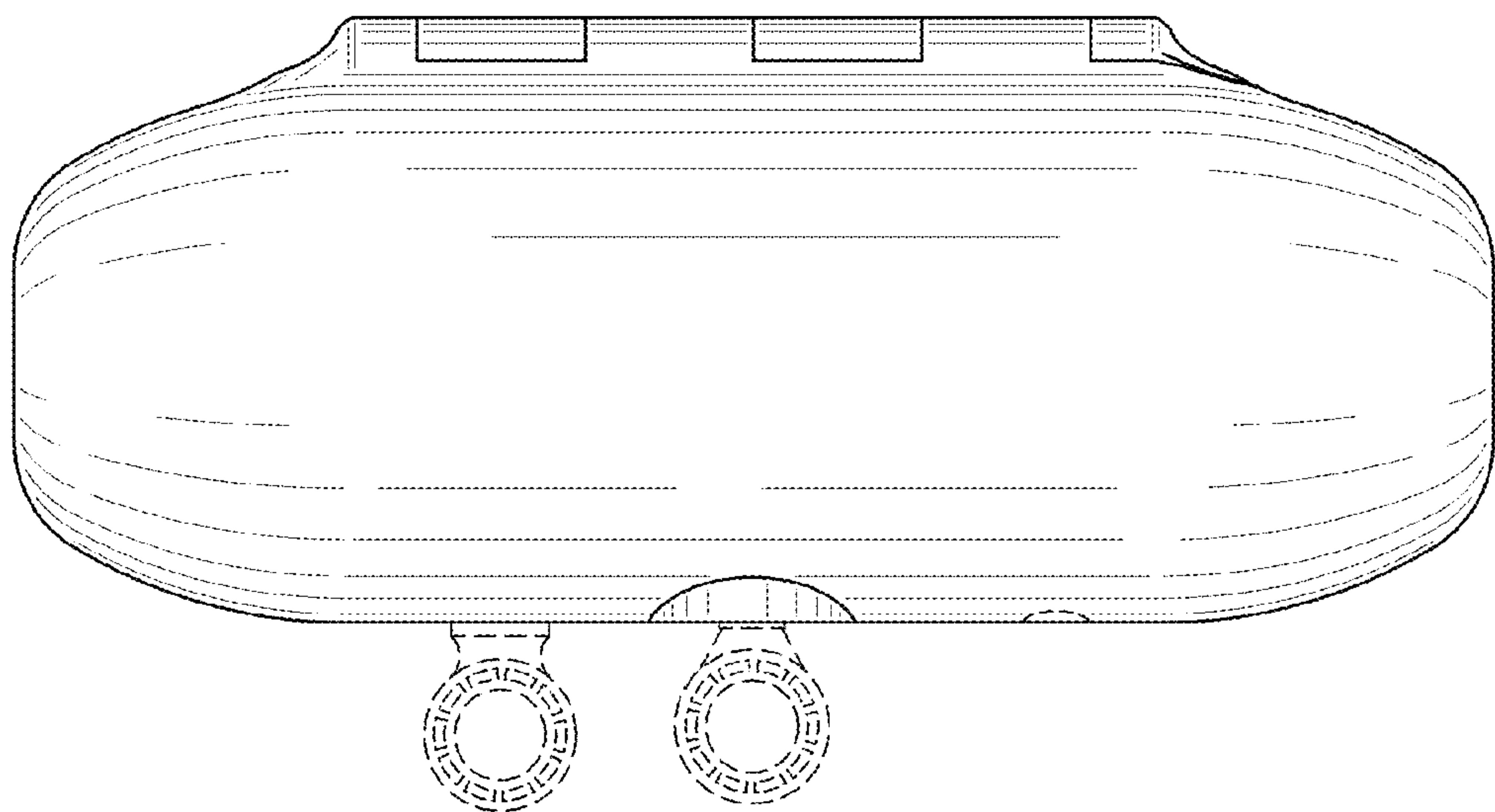


FIG. 2

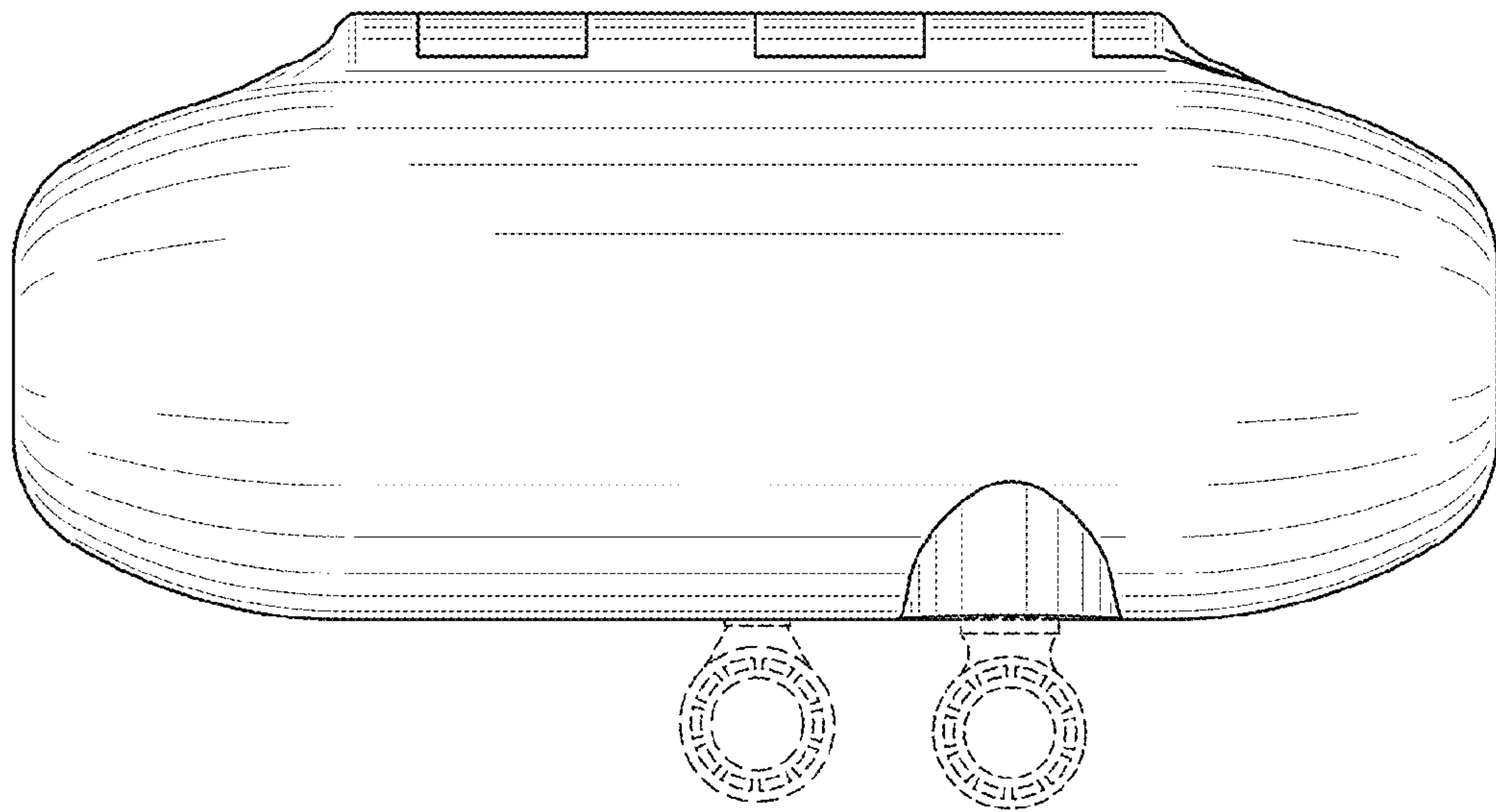


FIG. 3

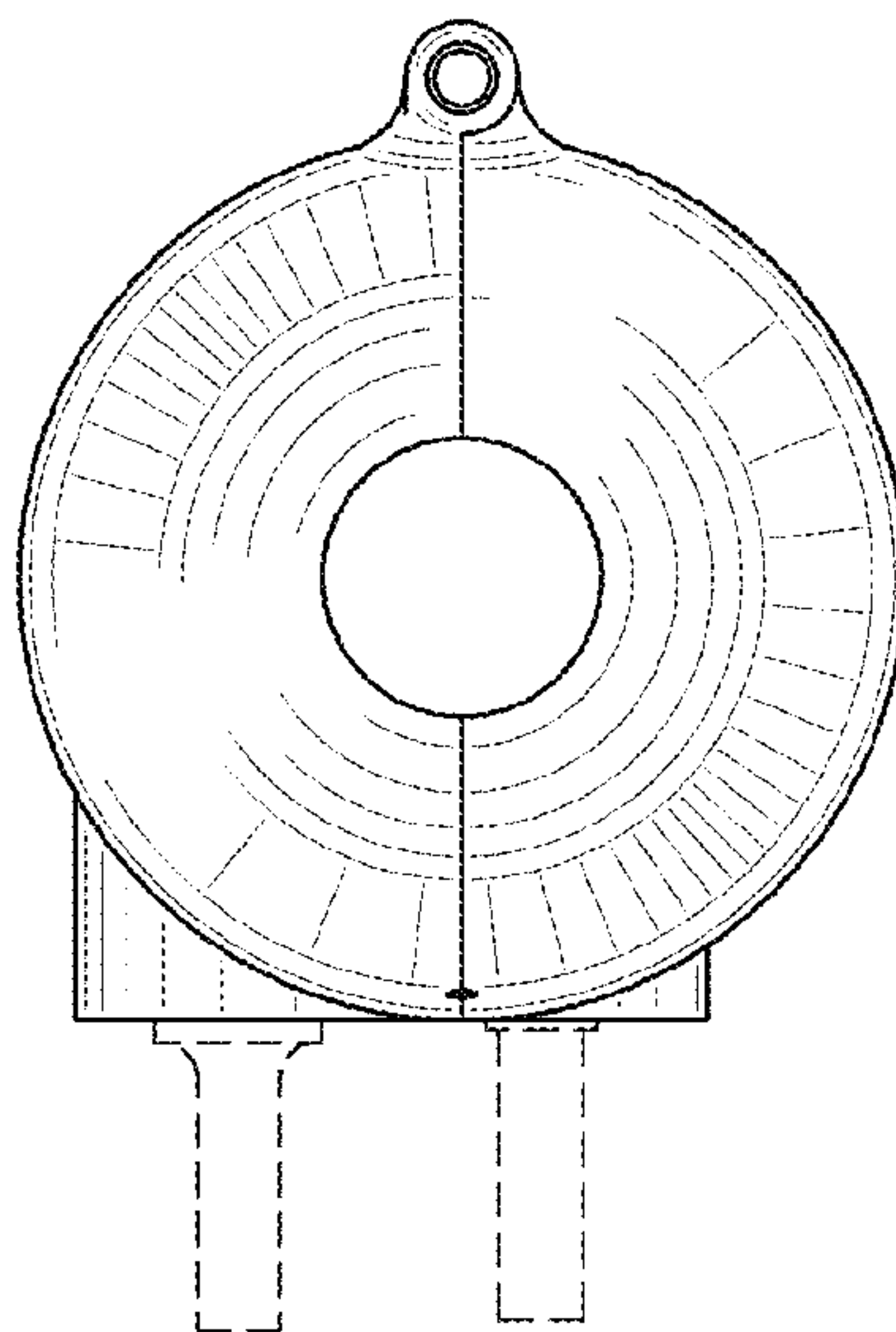


FIG. 4

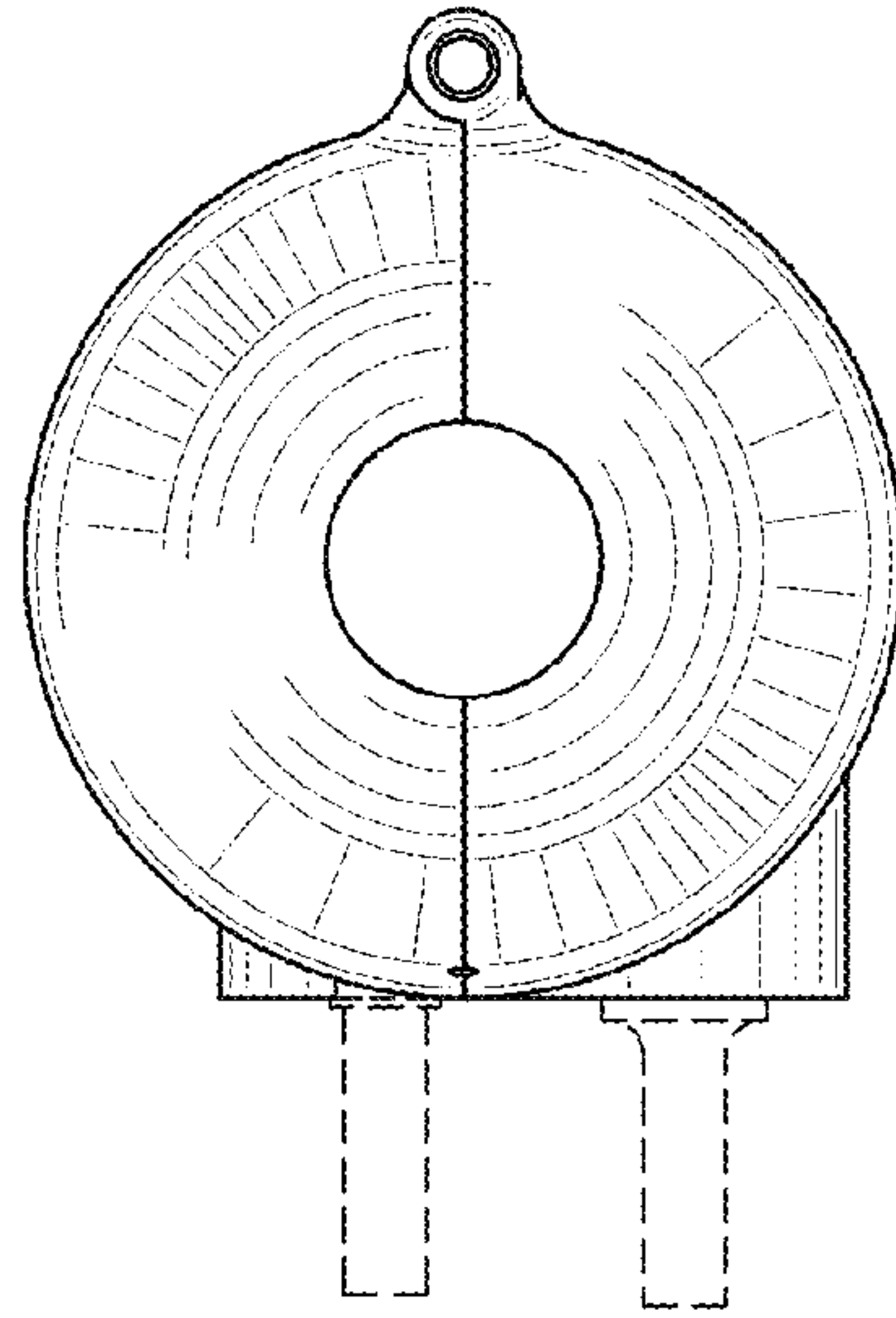


FIG. 5

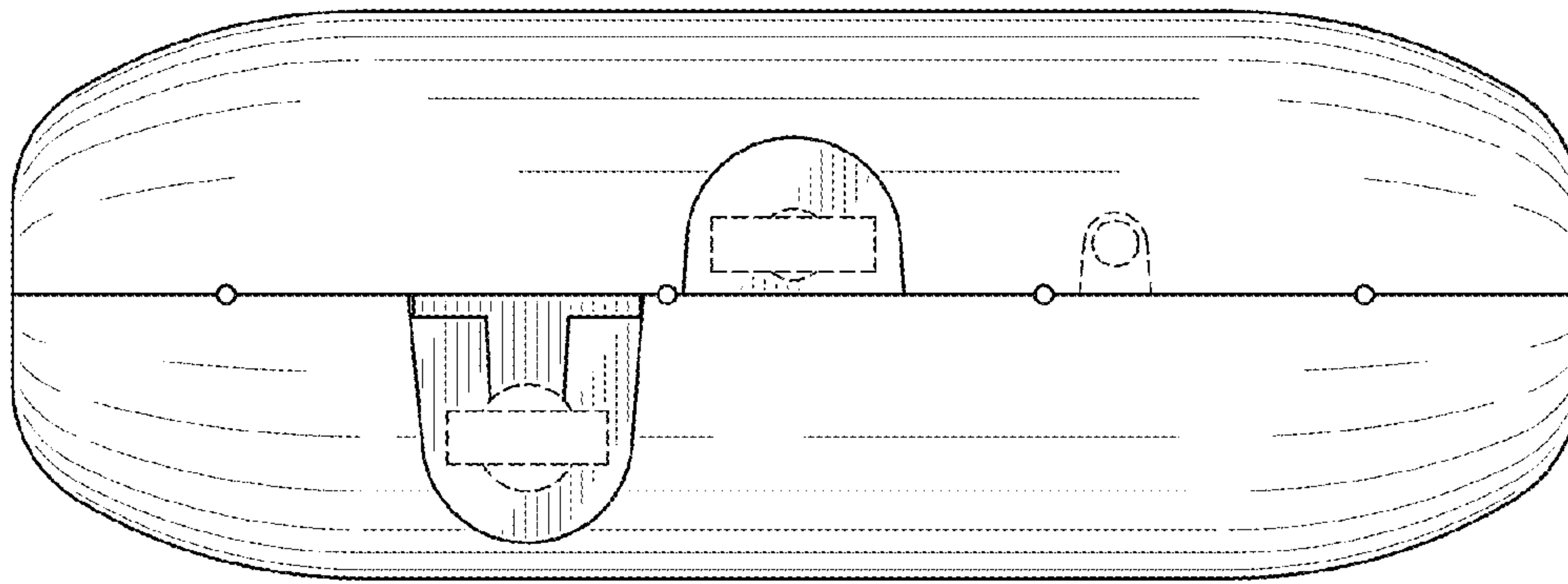


FIG. 6



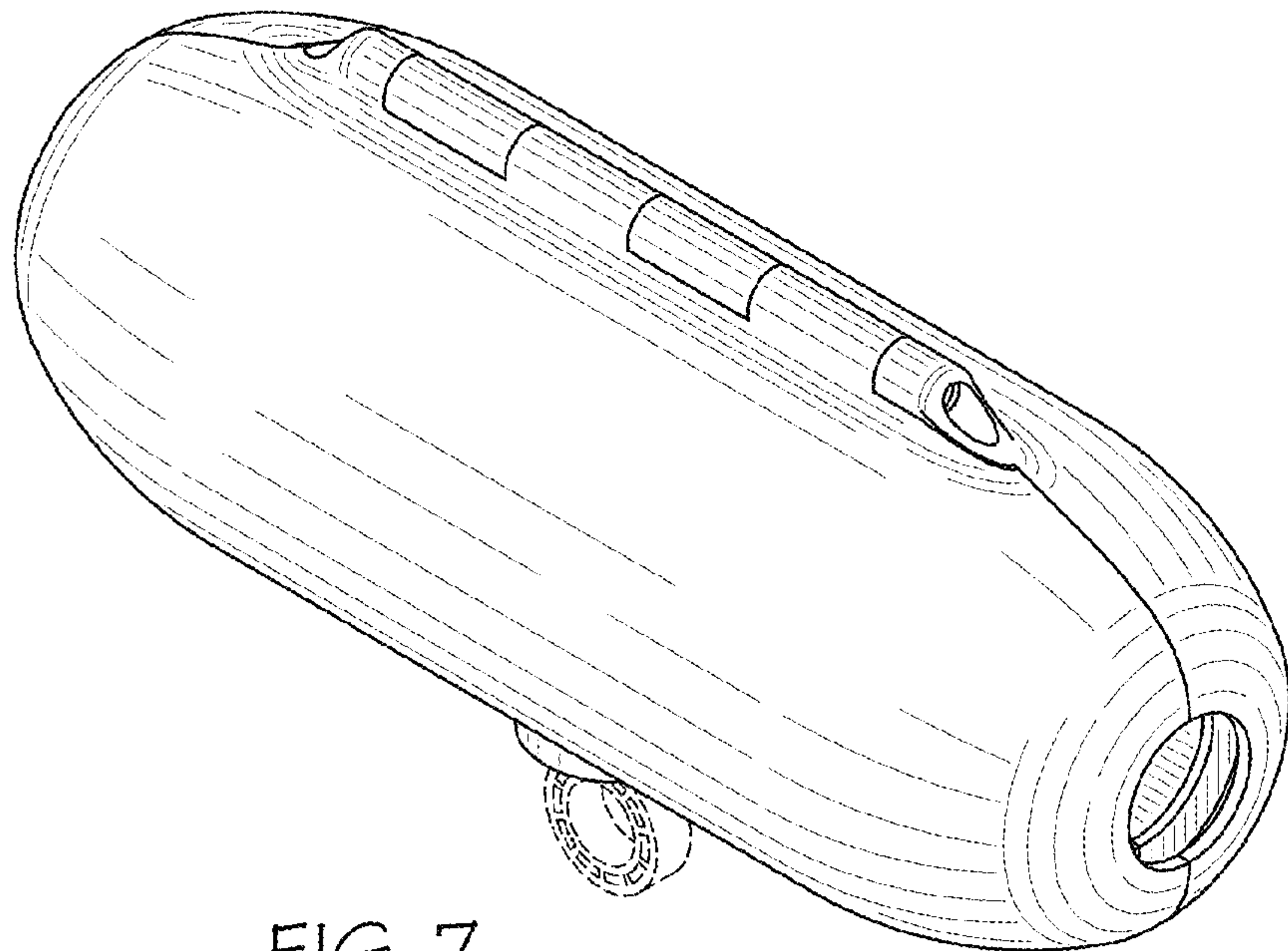


FIG. 7

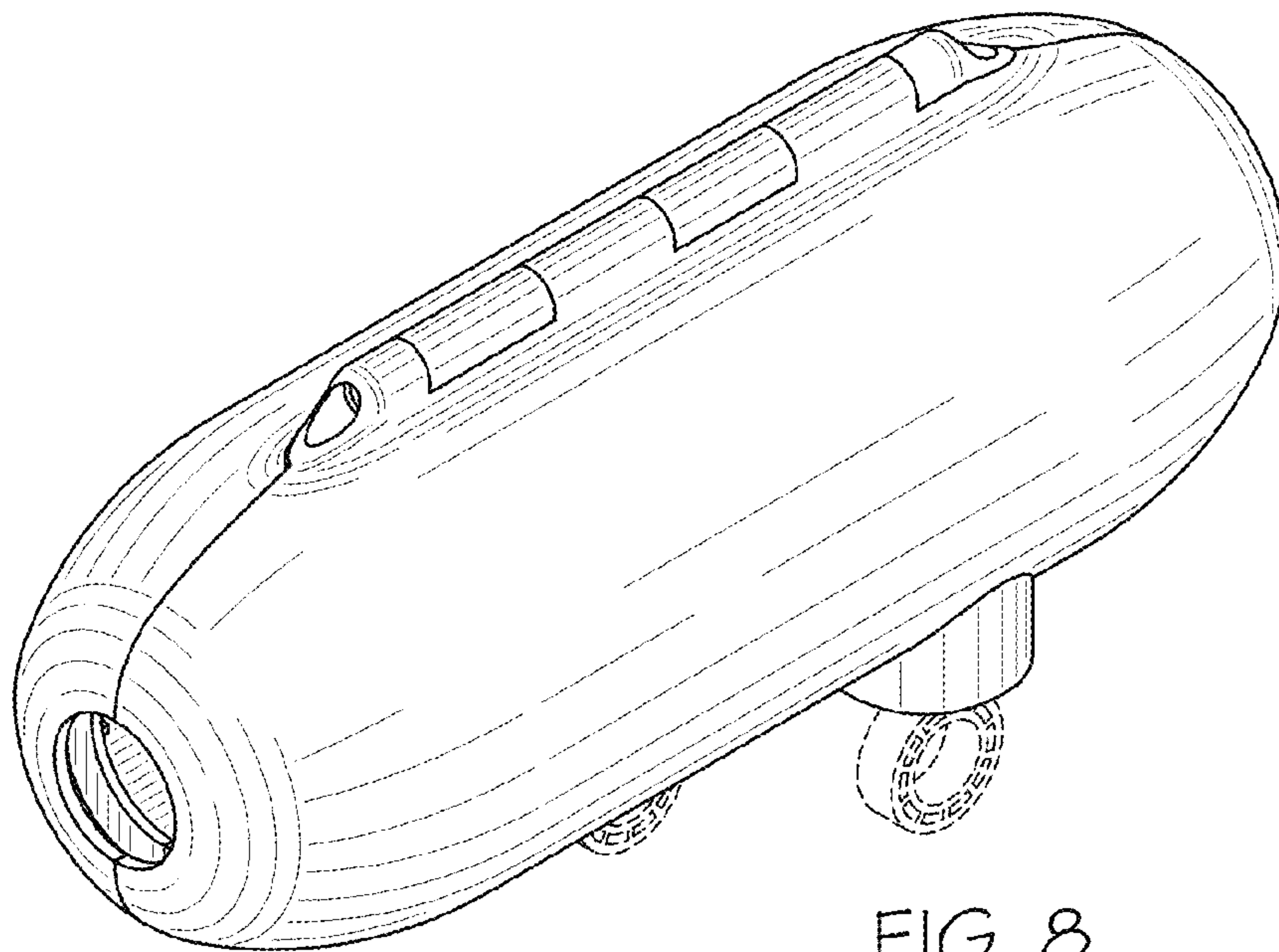


FIG. 8

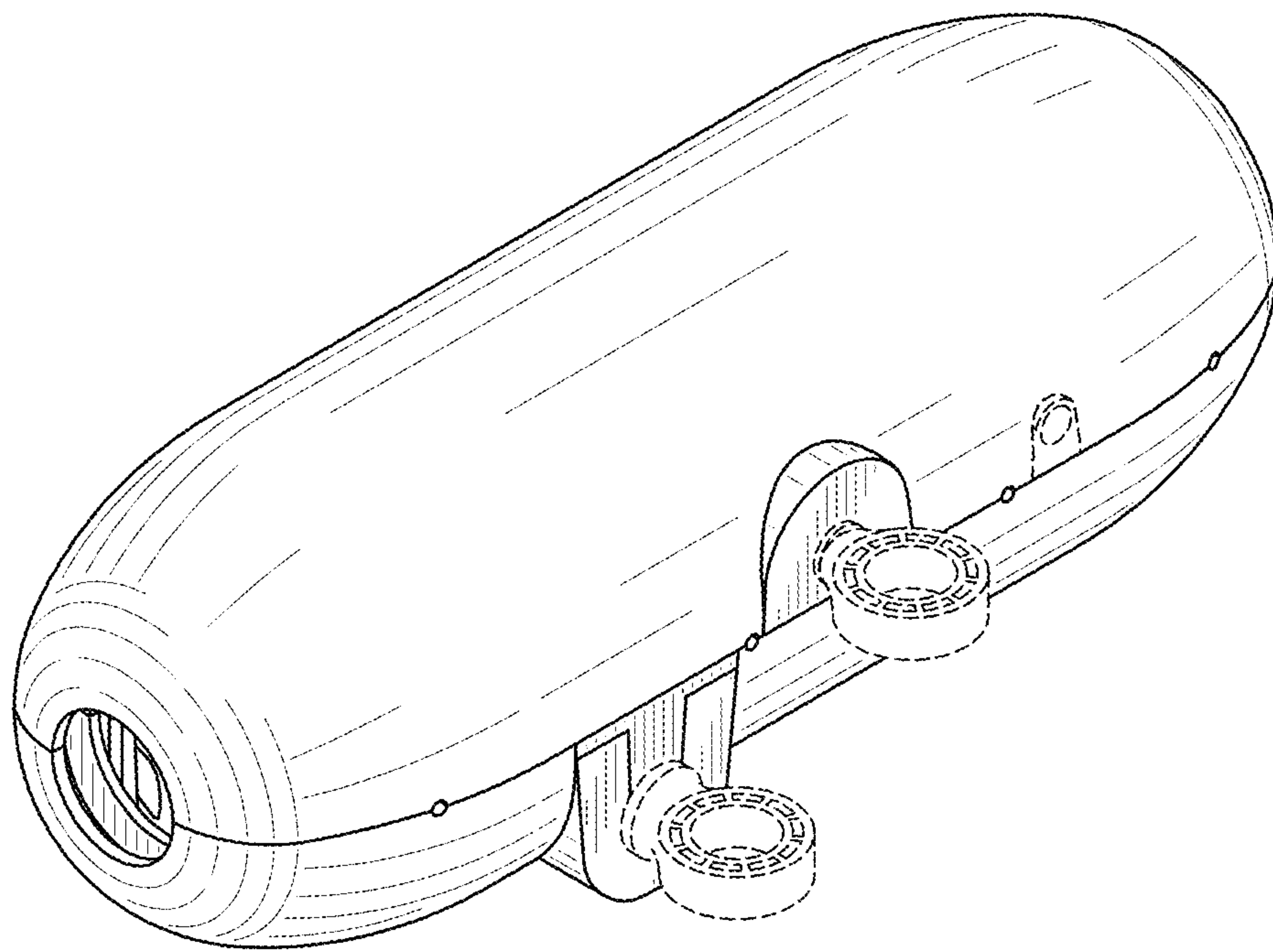


FIG. 9