



US00D683248S

(12) **United States Design Patent**
Marzynski

(10) **Patent No.:** **US D683,248 S**
(45) **Date of Patent:** **** May 28, 2013**

(54) **R-COIL, TEMPERATURE AND VOLTAGE
MODULES WITH WIRELESS TRANSMITTER**

(75) Inventor: **Matthew B. Marzynski**, Seattle, WA
(US)

(73) Assignee: **Fluke Corporation**, Everett, WA (US)

(**) Term: **14 Years**

(21) Appl. No.: **29/412,003**

(22) Filed: **Jan. 27, 2012**

(51) **LOC (9) Cl.** **10-04**

(52) **U.S. Cl.**
USPC **D10/78; D10/79**

(58) **Field of Classification Search** D10/78,
D10/79; 73/1.57, 431, 866.5; 324/158 F,
324/158 P, 117 H, 117 R, 127, 156, 508,
324/72.5, 556, 133, 1, 49, 503, 543; 374/208-210;
379/156, 21; 439/487, 488; 340/635, 687,
340/654; 361/679.3, 679.56, 679.58, 728; 701/29.6,
701/34.3, 34.4; 702/85, 104, 116
See application file for complete search history.

(56) **References Cited**

U.S. PATENT DOCUMENTS

4,942,356	A *	7/1990	Ellingen et al.	324/156
6,021,366	A *	2/2000	Fieramosca et al.	701/29.6
D434,683	S *	12/2000	Chang	D10/78
6,571,188	B1 *	5/2003	Clarridge et al.	702/104
6,584,421	B1 *	6/2003	Clarridge et al.	702/85
7,312,603	B2 *	12/2007	Luo et al.	324/127
D641,271	S *	7/2011	Tan	D10/78
D671,850	S *	12/2012	Marzynski	D10/78

* cited by examiner

Primary Examiner — Antoine D Davis

(74) *Attorney, Agent, or Firm* — Perkins Coie LLP

(57) **CLAIM**

The ornamental design for an R-coil, temperature and voltage modules with wireless transmitter, as shown.

DESCRIPTION

FIG. 1 is a perspective view of an R-coil, temperature and voltage modules with wireless transmitter.

FIG. 2 is a front plan view thereof.

FIG. 3 is a back plan view thereof.

FIG. 4 is a right view thereof.

FIG. 5 is a left view thereof.

FIG. 6 is a top view thereof.

FIG. 7 is a bottom view thereof.

FIG. 8 is a perspective view of a second embodiment of an R-coil, temperature and voltage modules with wireless transmitter.

FIG. 9 is a front plan view thereof.

FIG. 10 is a back plan view thereof.

FIG. 11 is a right view thereof.

FIG. 12 is a left view thereof.

FIG. 13 is a top view thereof.

FIG. 14 is a bottom view thereof.

FIG. 15 is a perspective view of a third embodiment of an R-coil, temperature and voltage modules with wireless transmitter.

FIG. 16 is a front plan view thereof.

FIG. 17 is a back plan view thereof.

FIG. 18 is a right view thereof.

FIG. 19 is a left view thereof.

FIG. 20 is a top view thereof.

FIG. 21 is a bottom view thereof.

FIG. 22 is a perspective view of a fourth embodiment of an R-coil, temperature and voltage modules with wireless transmitter.

FIG. 23 is a front plan view thereof.

FIG. 24 is a back plan view thereof.

FIG. 25 is a right view thereof.

FIG. 26 is a left view thereof.

FIG. 27 is a top view thereof.

FIG. 28 is a bottom view thereof.

FIG. 29 is a perspective view of a fifth embodiment of an R-coil, temperature and voltage modules with wireless transmitter.

FIG. 30 is a front plan view thereof.

FIG. 31 is a back plan view thereof.

FIG. 32 is a right view thereof.

FIG. 33 is a left view thereof.

FIG. 34 is a top view thereof.

FIG. 35 is a bottom view thereof.

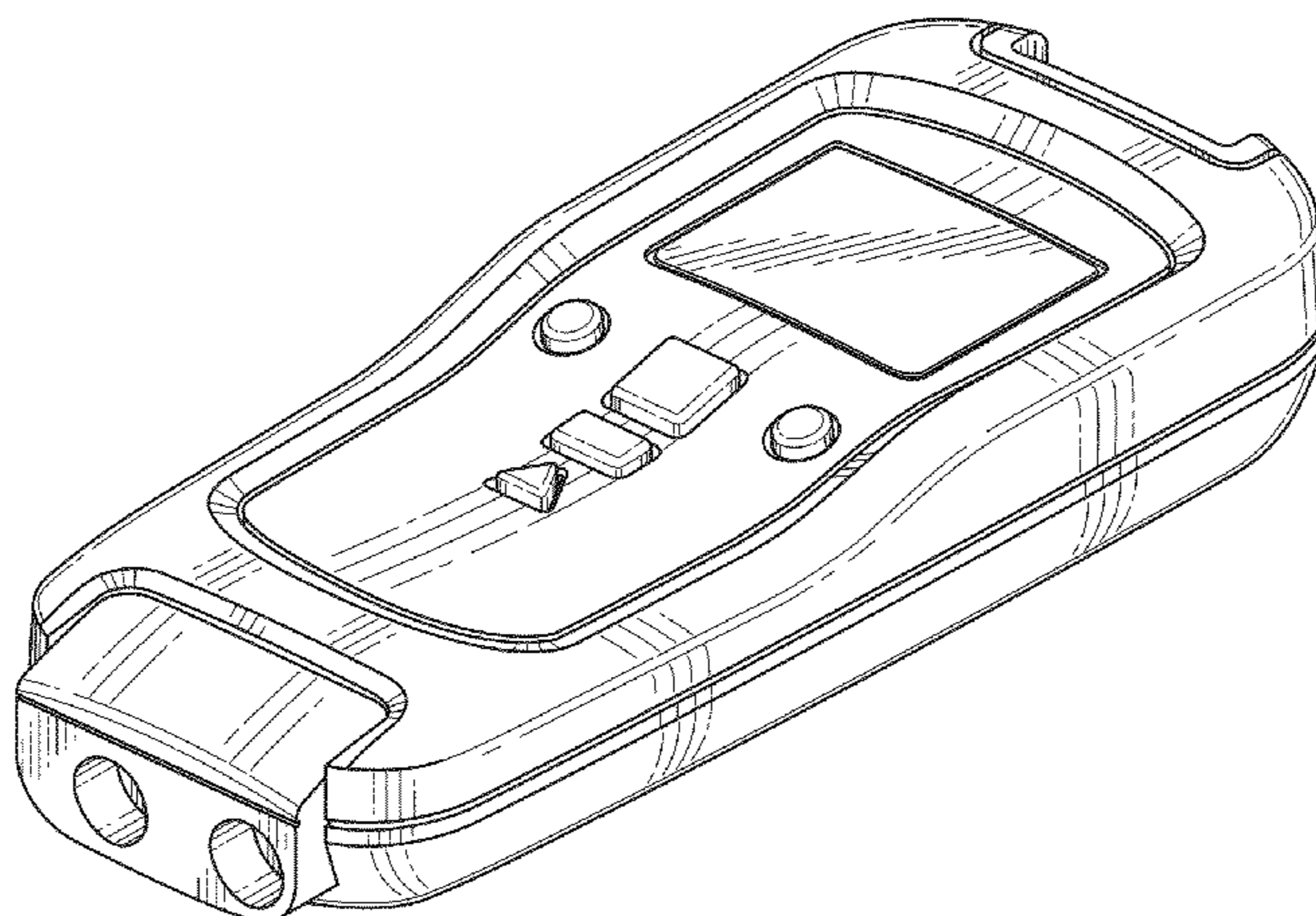


FIG. 36 is a perspective view of a sixth embodiment of an R-coil, temperature and voltage modules with wireless transmitter.

FIG. 37 is a front plan view thereof.

FIG. 38 is a back plan view thereof.

FIG. 39 is a right view thereof.

FIG. 40 is a left view thereof.

FIG. 41 is a top view thereof.

FIG. 42 is a bottom view thereof.

FIG. 43 is a perspective view of a seventh embodiment of an R-coil, temperature and voltage modules with wireless transmitter.

FIG. 44 is a front plan view thereof.

FIG. 45 is a back plan view thereof.

FIG. 46 is a right view thereof.

FIG. 47 is a left view thereof.

FIG. 48 is a top view thereof.

FIG. 49 is a bottom view thereof.

FIG. 50 is a perspective view of an eighth embodiment of an R-coil, temperature and voltage modules with wireless transmitter.

FIG. 51 is a front plan view thereof.

FIG. 52 is a back plan view thereof.

FIG. 53 is a right view thereof.

FIG. 54 is a left view thereof.

FIG. 55 is a top view thereof.

FIG. 56 is a bottom view thereof.

FIG. 57 is a perspective view of a ninth embodiment of an R-coil, temperature and voltage modules with wireless transmitter.

FIG. 58 is a front plan view thereof.

FIG. 59 is a back plan view thereof.

FIG. 60 is a right view thereof.

FIG. 61 is a left view thereof.

FIG. 62 is a top view thereof.

FIG. 63 is a bottom view thereof.

FIG. 64 is a perspective view of a tenth embodiment of an R-coil, temperature and voltage modules with wireless transmitter.

FIG. 65 is a front plan view thereof.

FIG. 66 is a back plan view thereof.

FIG. 67 is a right view thereof.

FIG. 68 is a left view thereof.

FIG. 69 is a top view thereof.

FIG. 70 is a bottom view thereof.

FIG. 71 is a perspective view of an eleventh embodiment of an R-coil, temperature and voltage modules with wireless transmitter.

FIG. 72 is a front plan view thereof.

FIG. 73 is a back plan view thereof.

FIG. 74 is a right view thereof.

FIG. 75 is a left view thereof.

FIG. 76 is a top view thereof.

FIG. 77 is a bottom view thereof.

FIG. 78 is a perspective view of a twelfth embodiment of an R-coil, temperature and voltage modules with wireless transmitter.

FIG. 79 is a front plan view thereof.

FIG. 80 is a back plan view thereof.

FIG. 81 is a right view thereof.

FIG. 82 is a left view thereof.

FIG. 83 is a top view thereof.

FIG. 84 is a bottom view thereof.

FIG. 85 is a perspective view of a thirteenth embodiment of an R-coil, temperature and voltage modules with wireless transmitter.

FIG. 86 is a front plan view thereof.

FIG. 87 is a back plan view thereof.

FIG. 88 is a right view thereof.

FIG. 89 is a left view thereof.

FIG. 90 is a top view thereof; and,

FIG. 91 is a bottom view thereof.

The broken lines form no part of the claimed design.

1 Claim, 52 Drawing Sheets

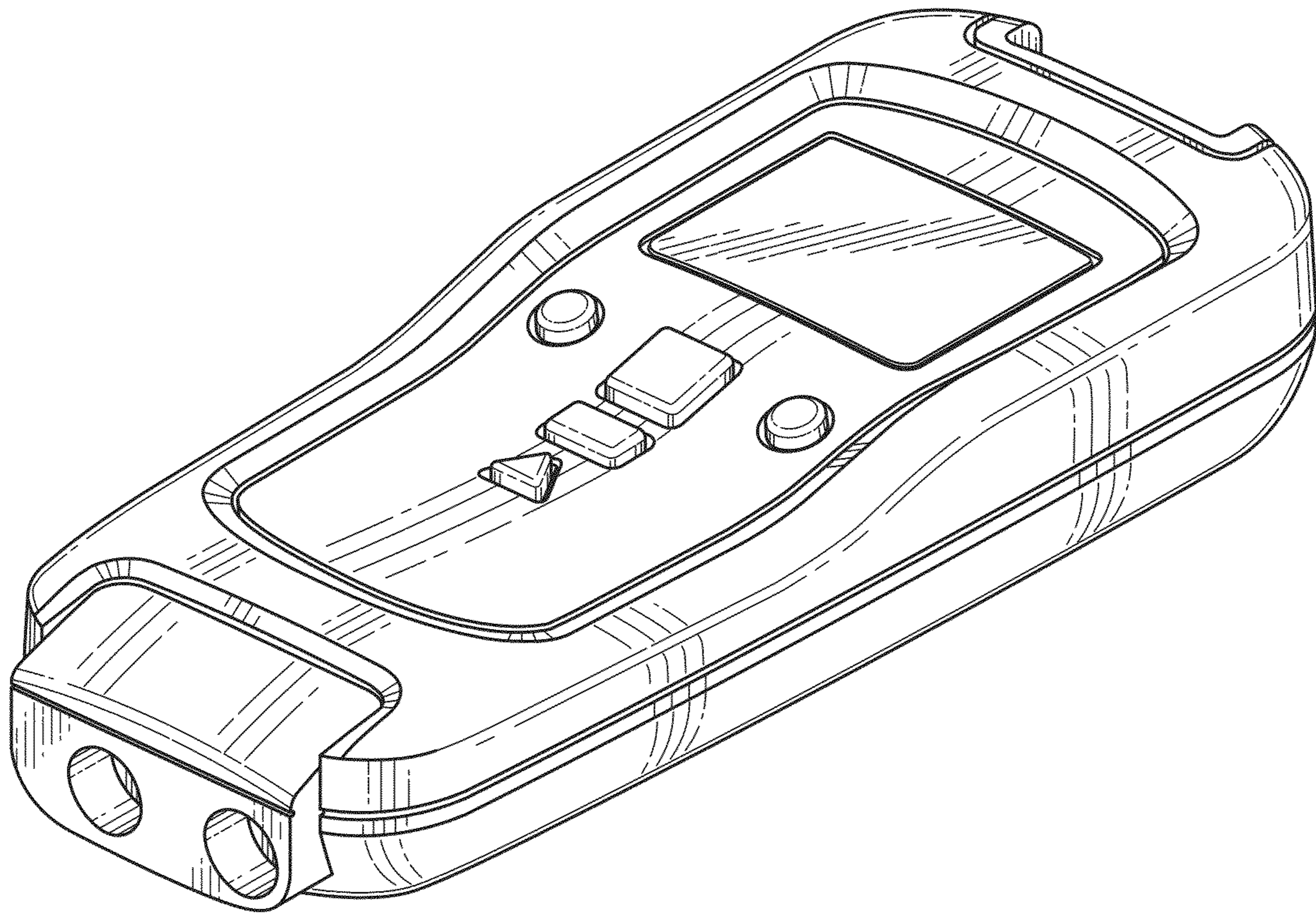


FIG. 1

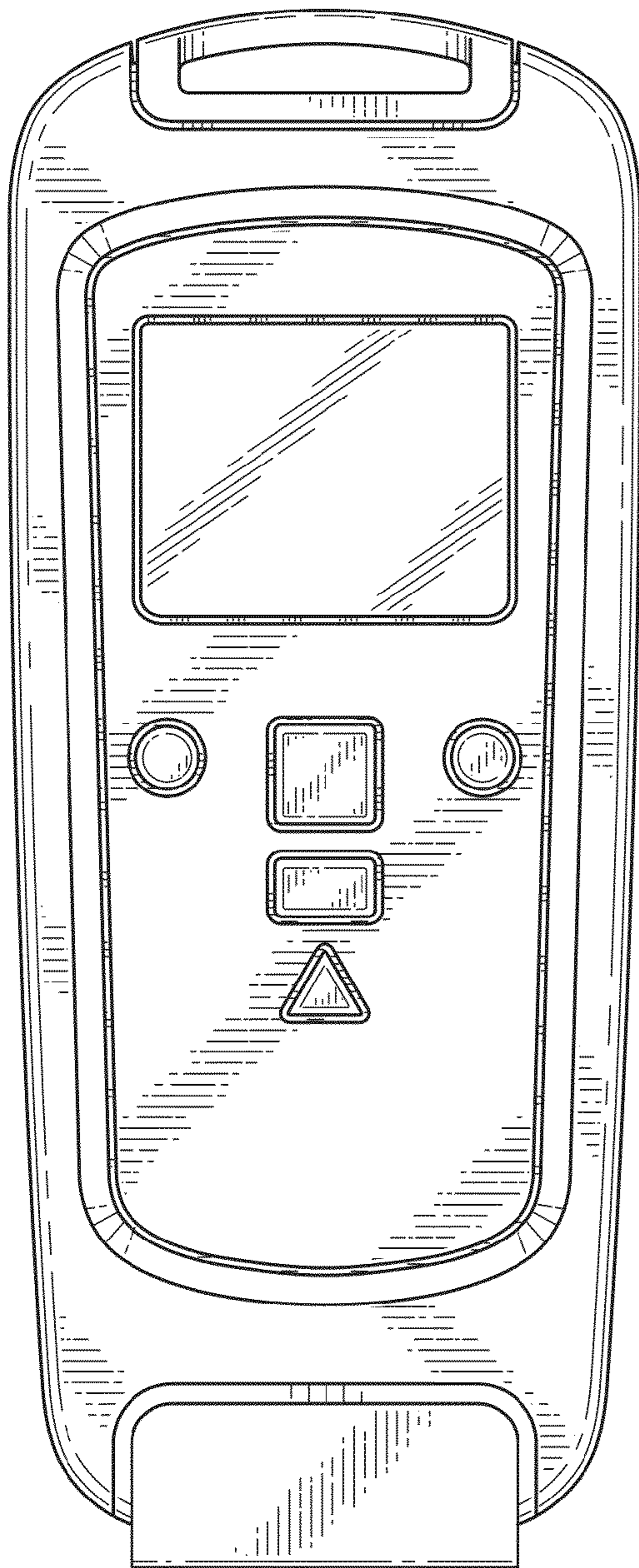


FIG. 2

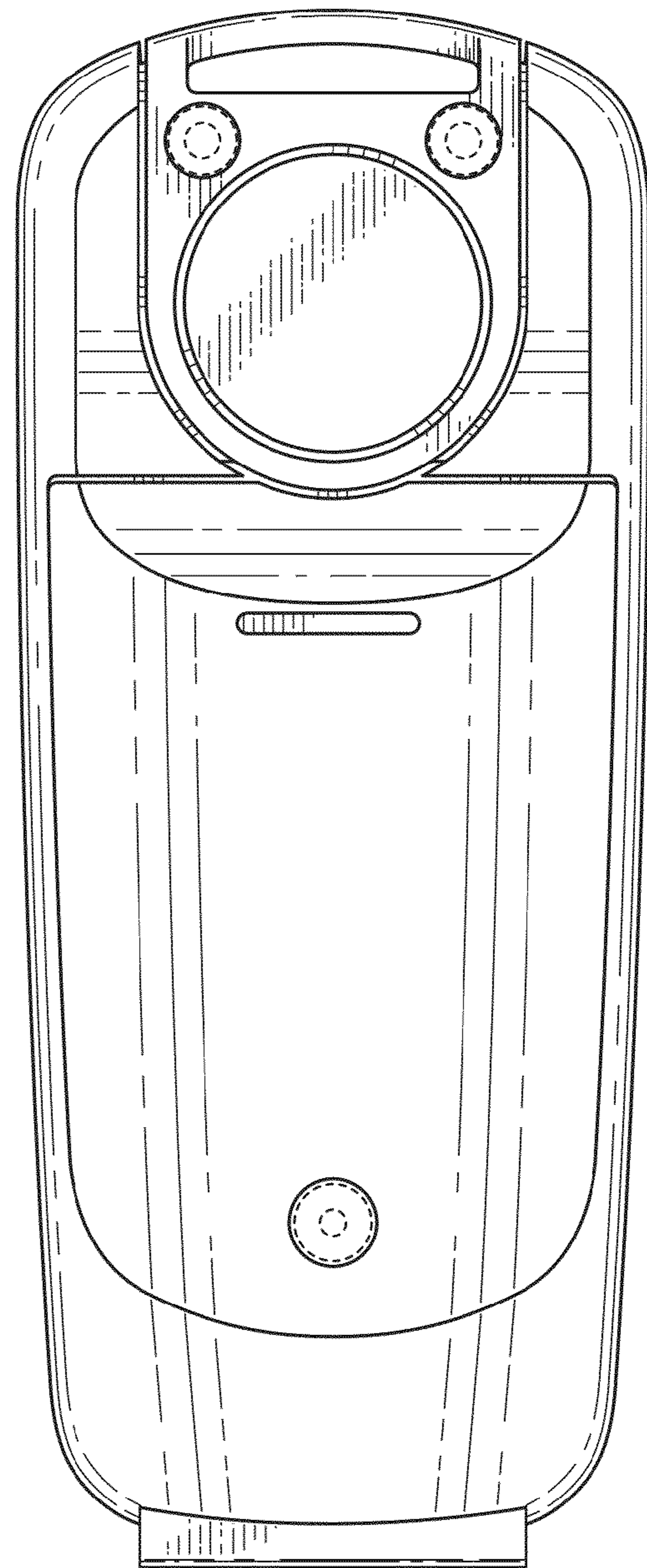


FIG. 3

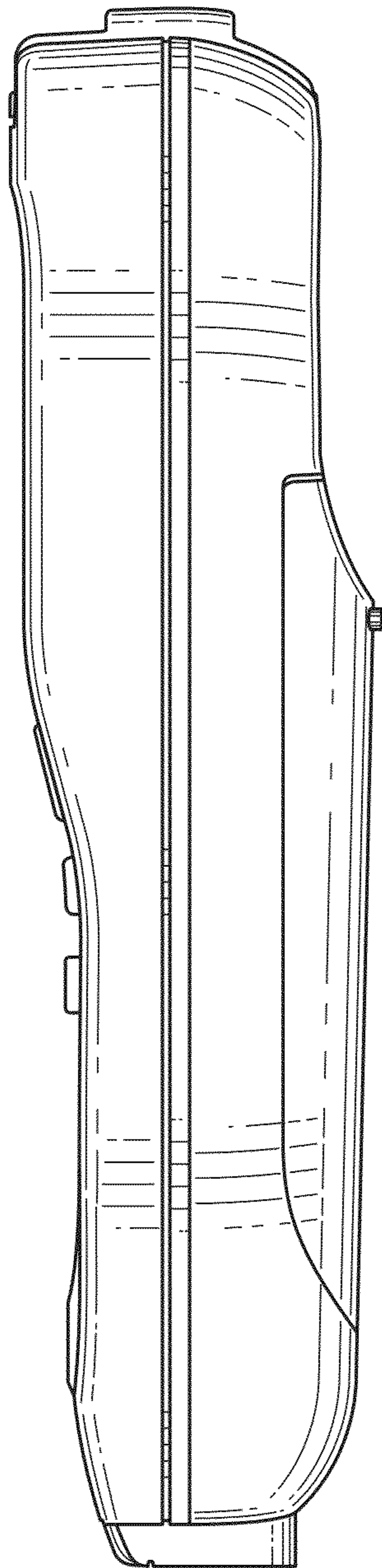


FIG. 4

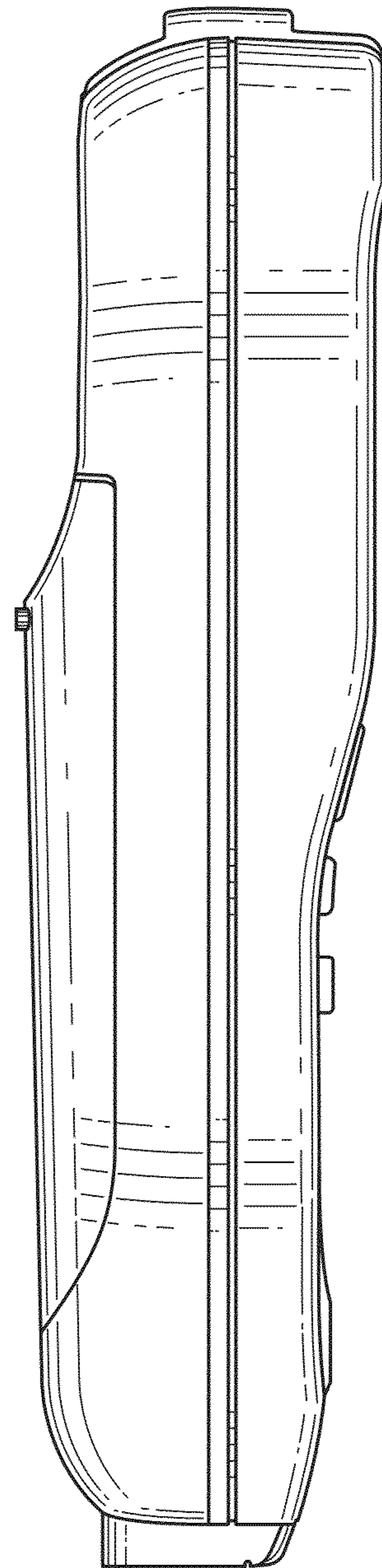


FIG. 5

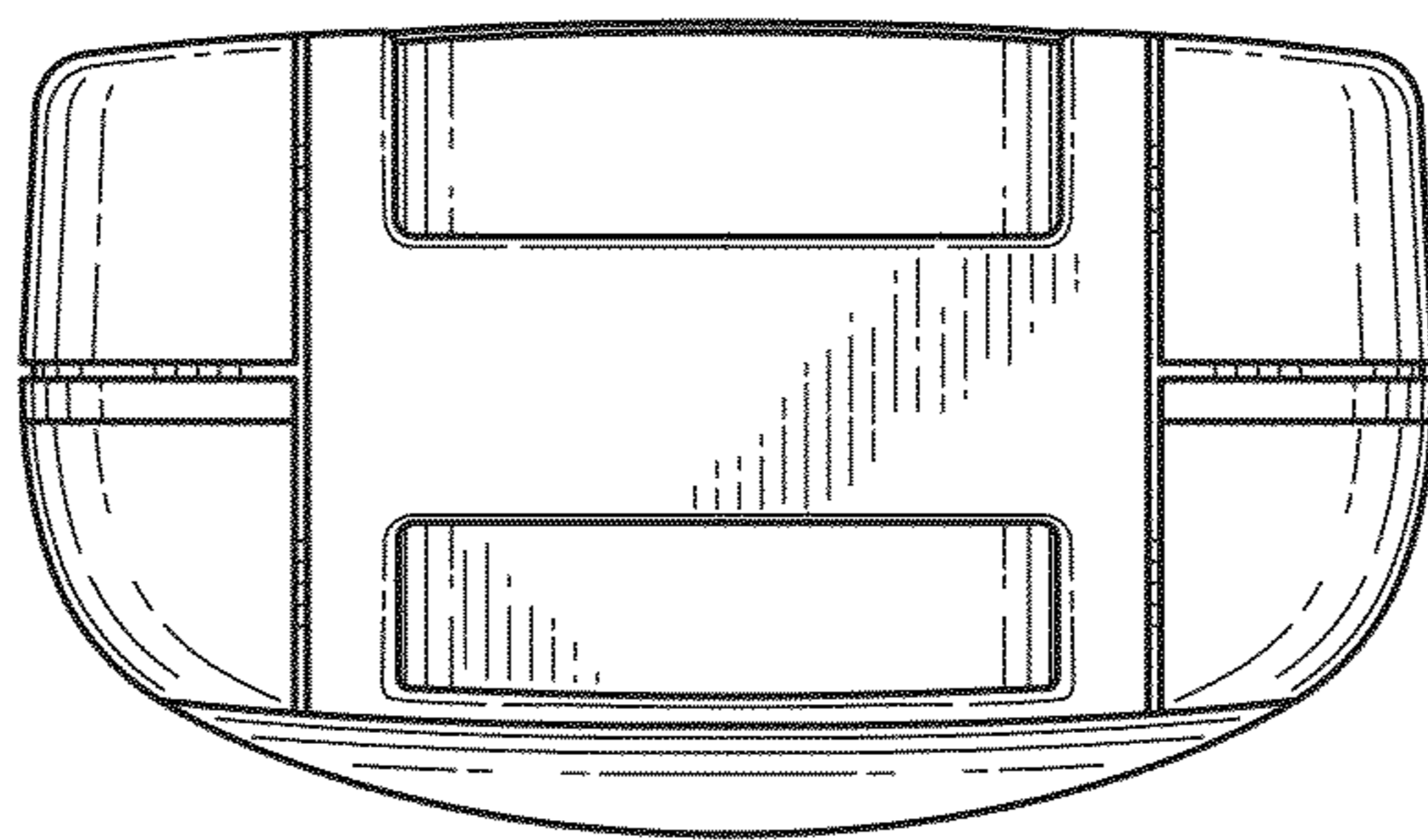


FIG. 6

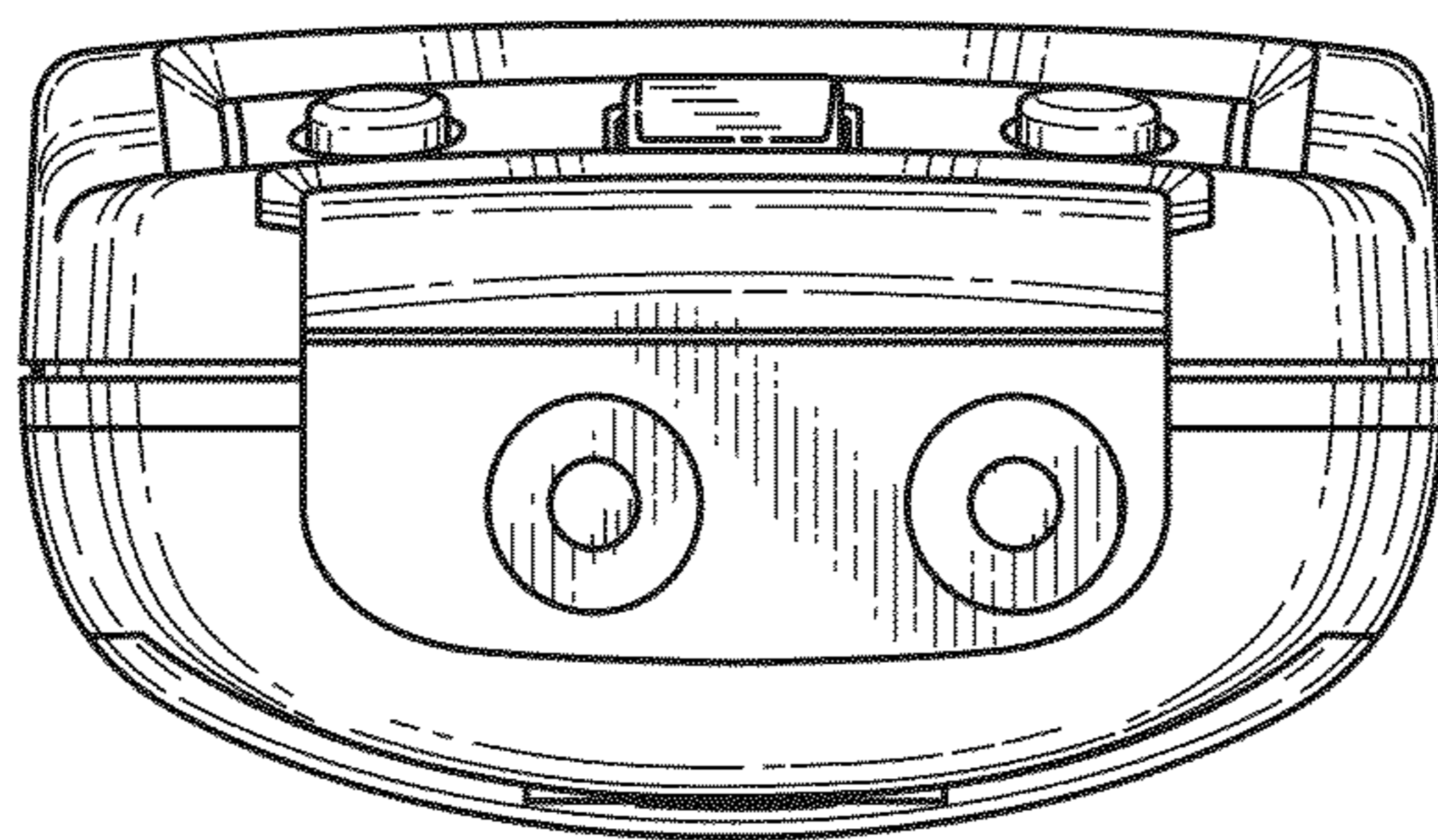


FIG. 7

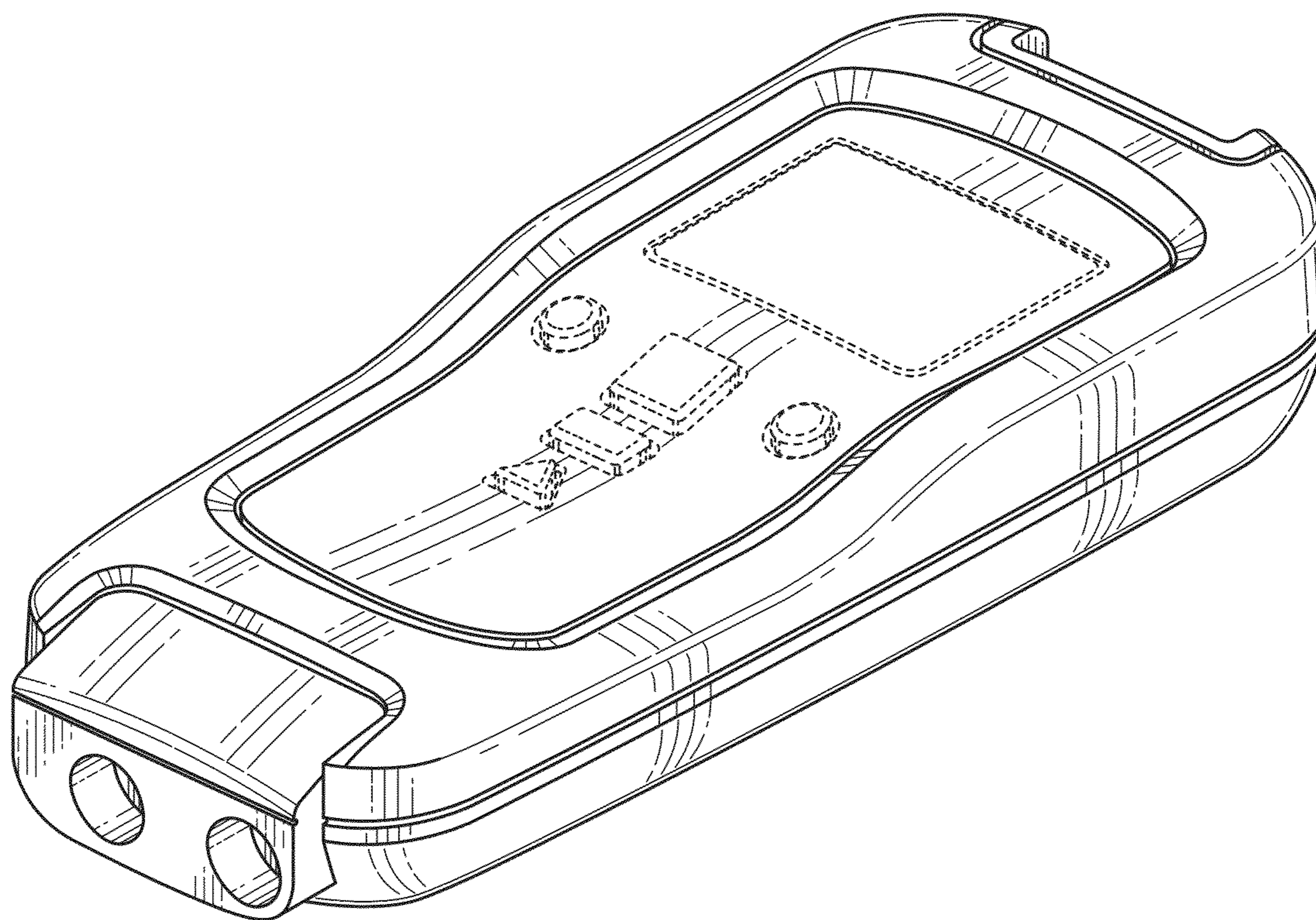


FIG. 8

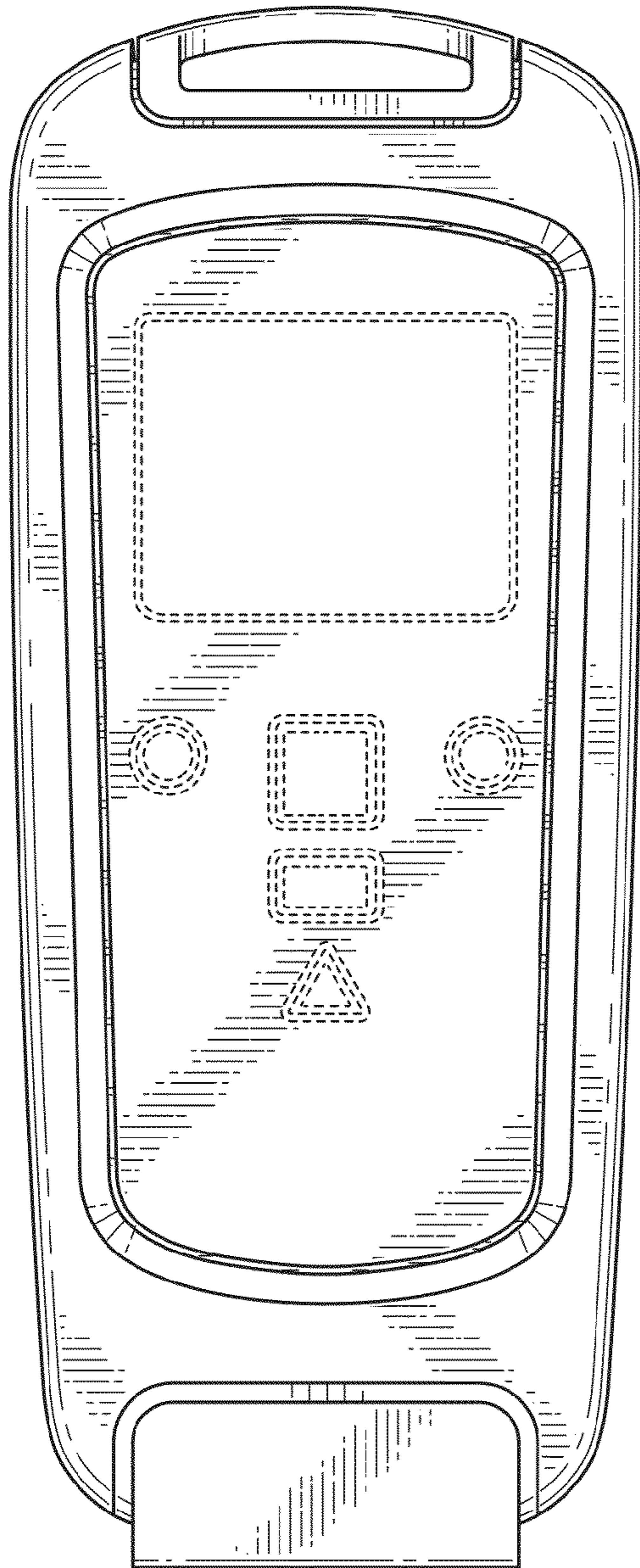


FIG. 9

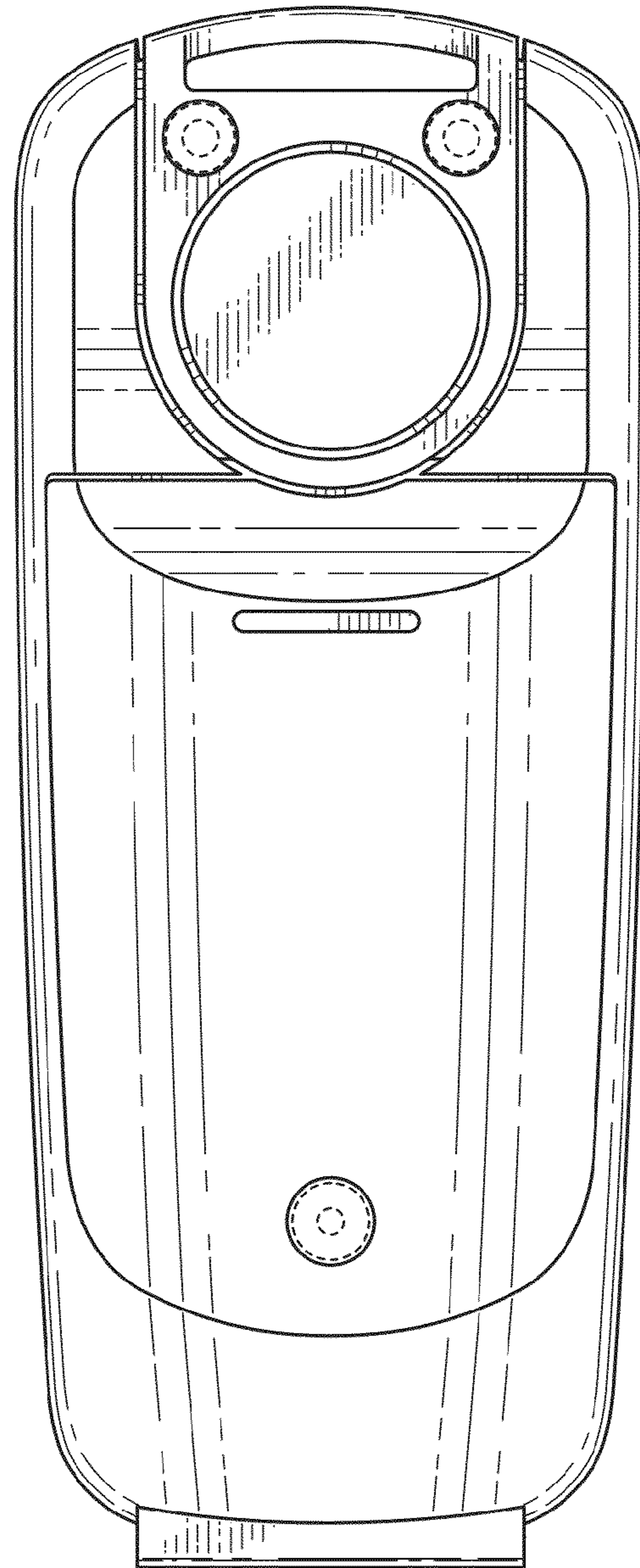


FIG. 10

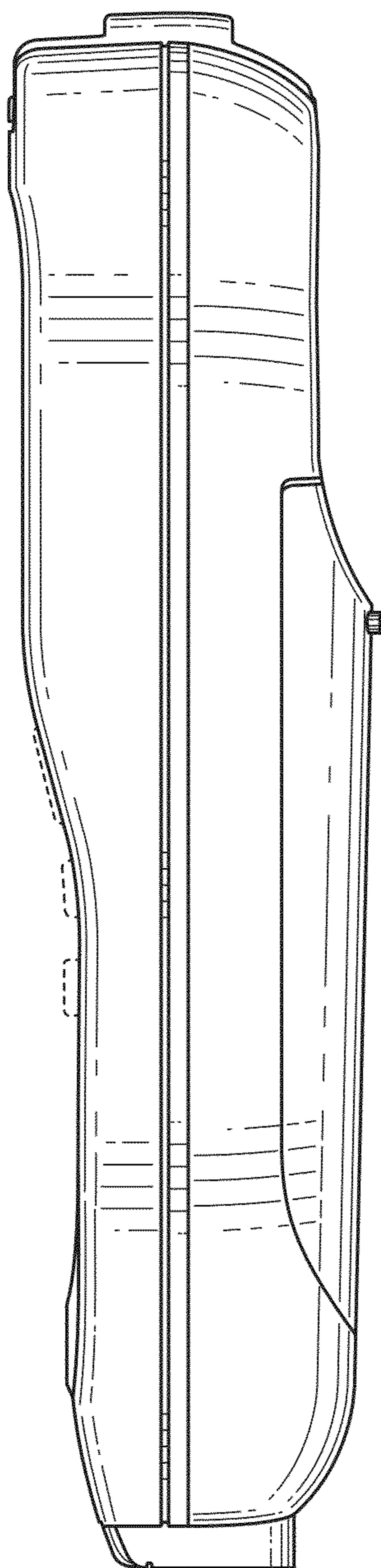


FIG. 11

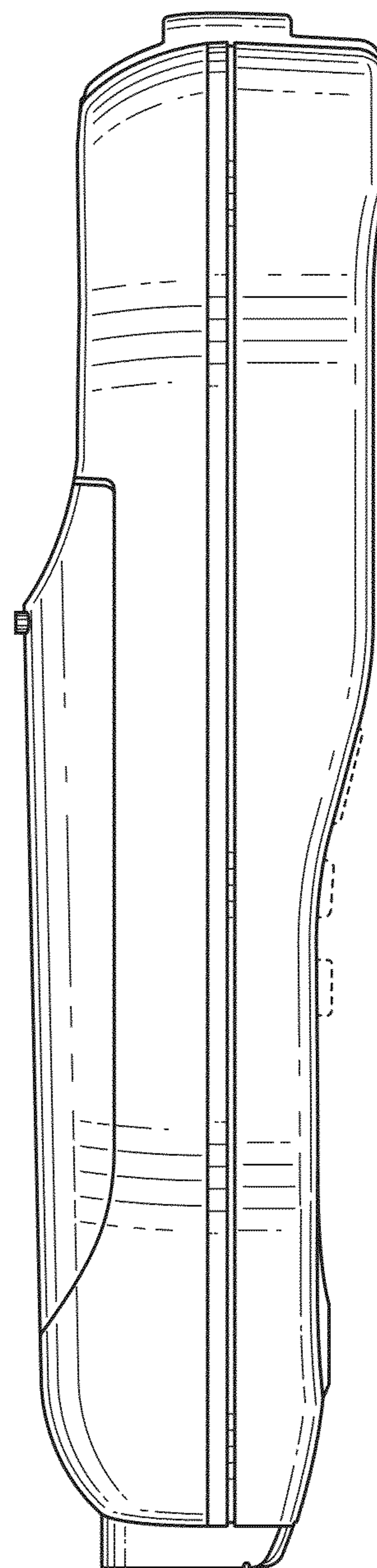


FIG. 12

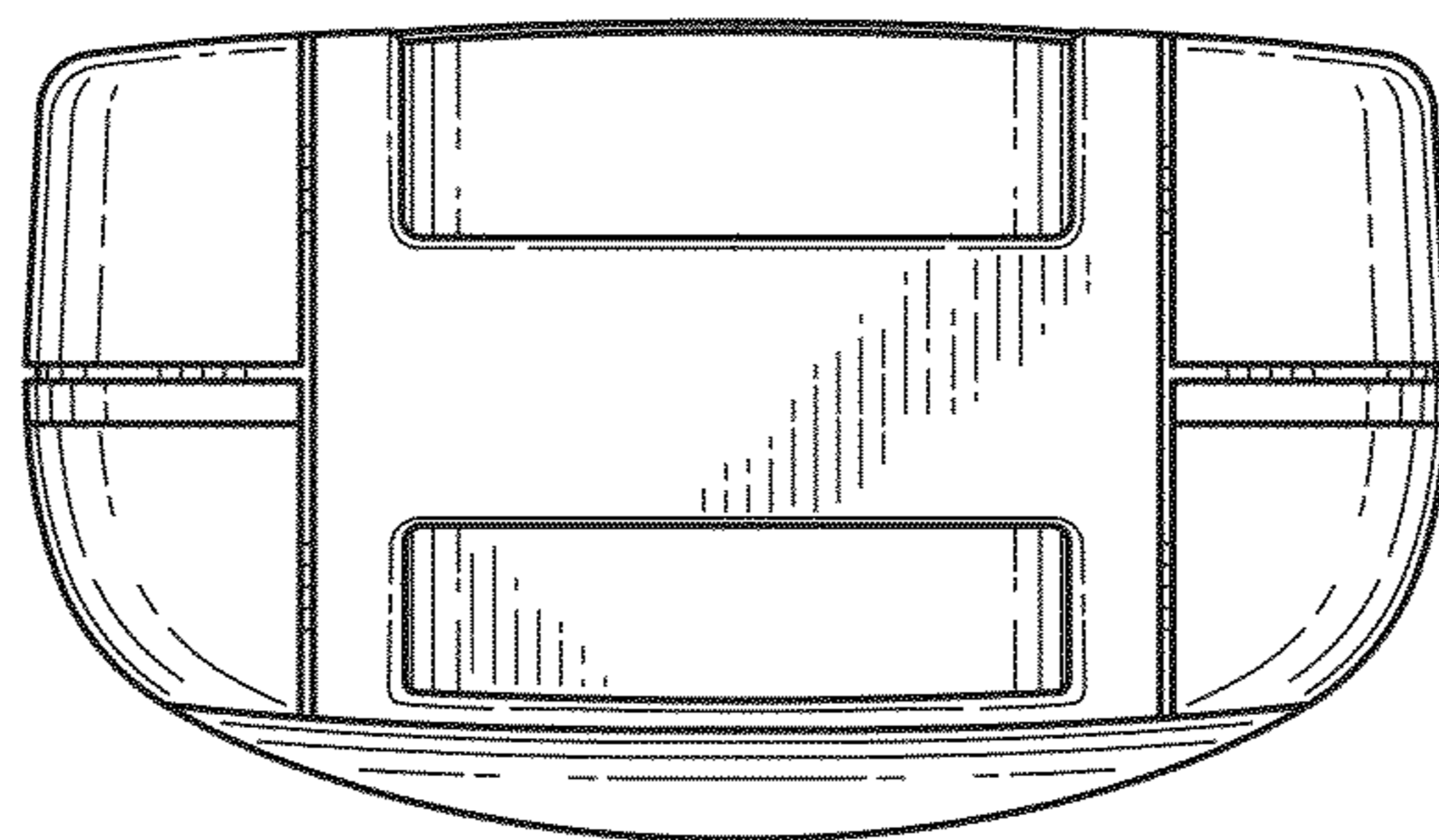


FIG. 13

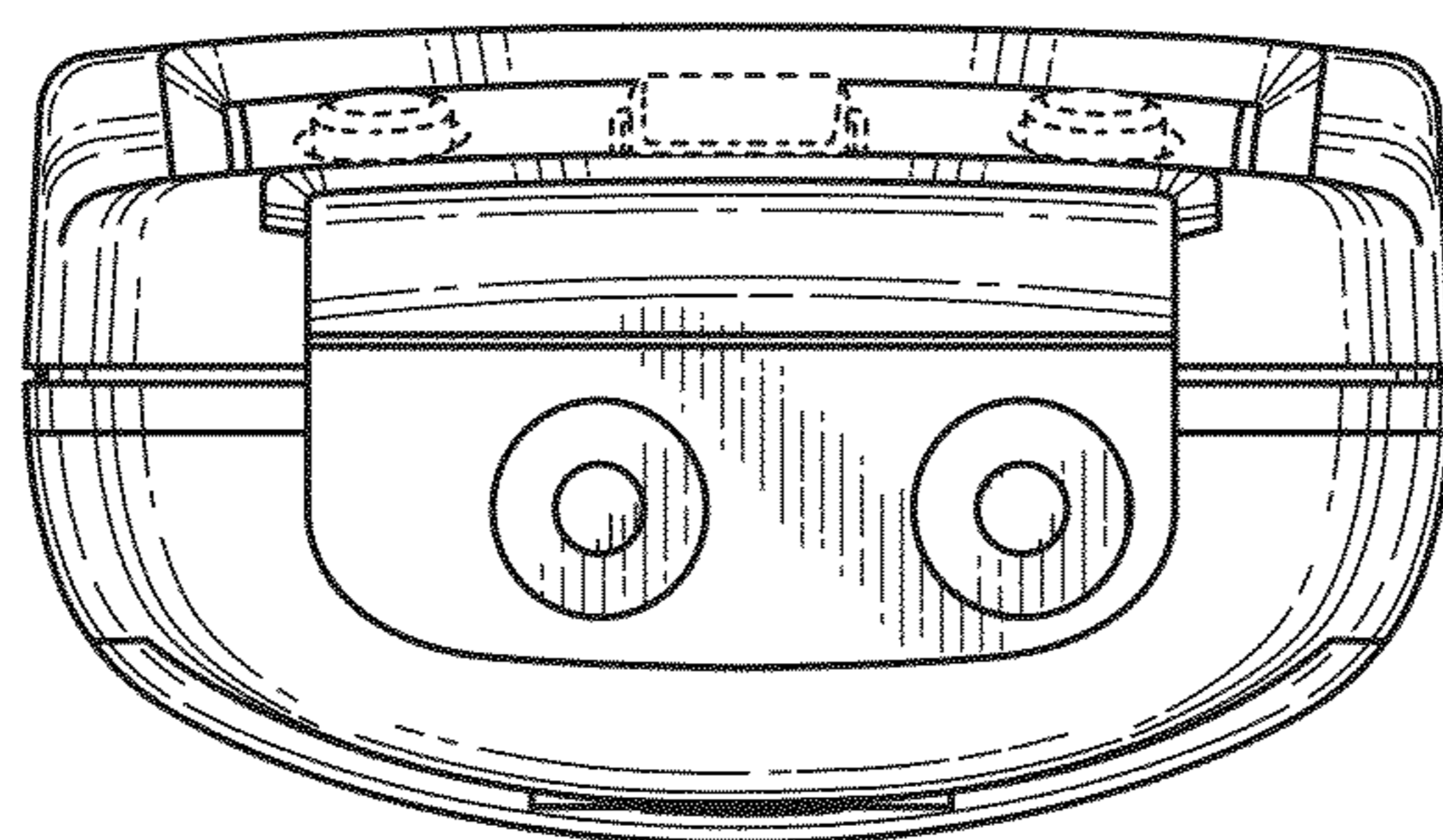


FIG. 14

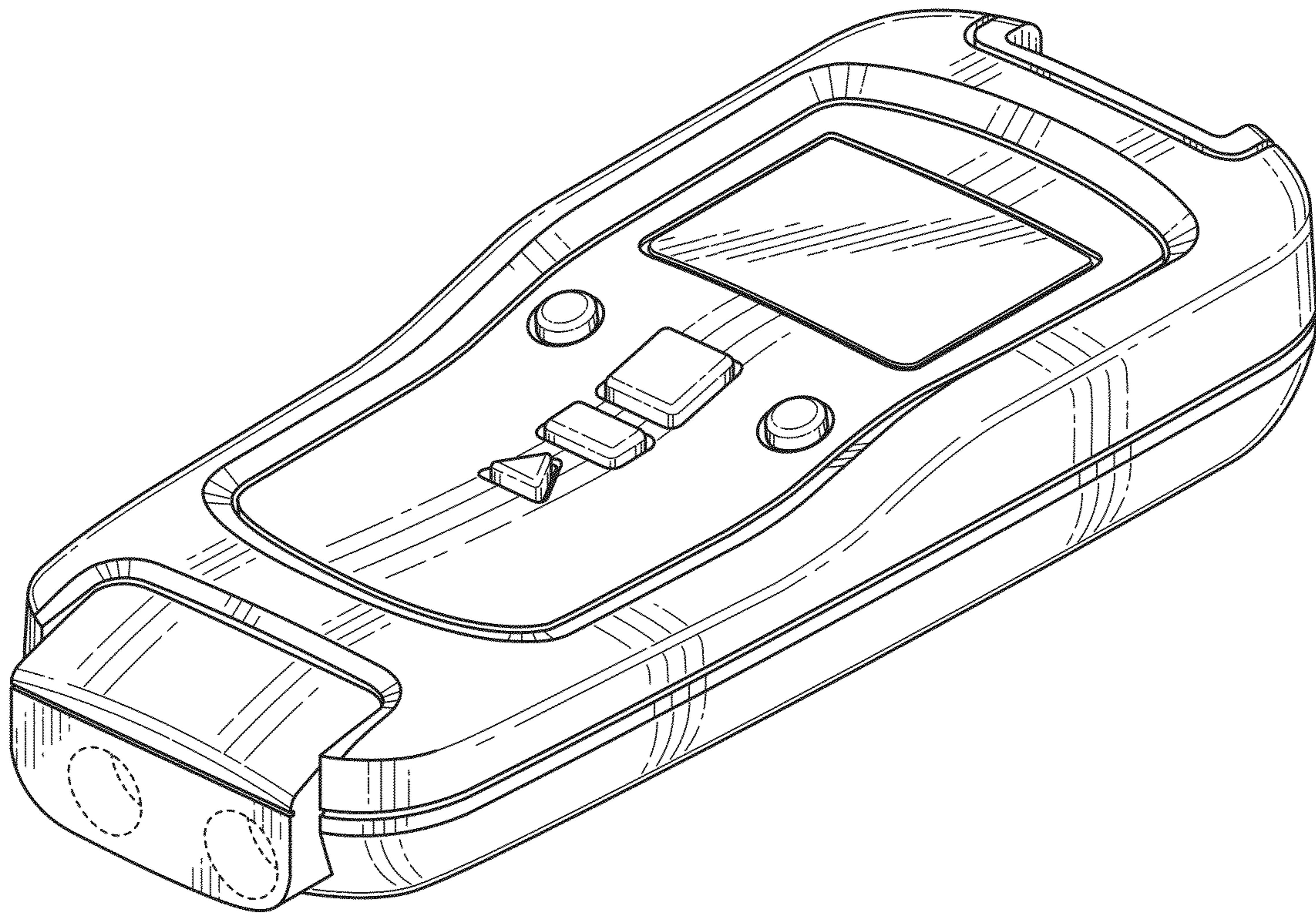


FIG. 15

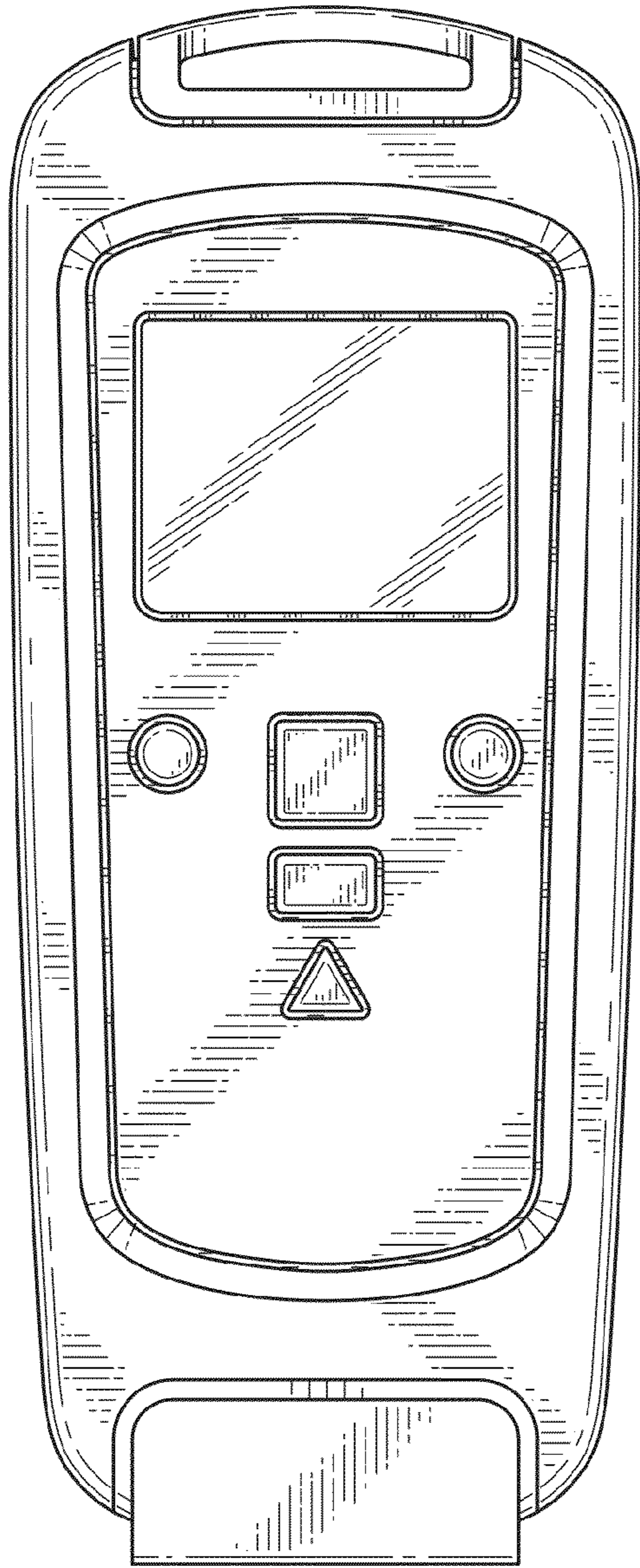


FIG. 16

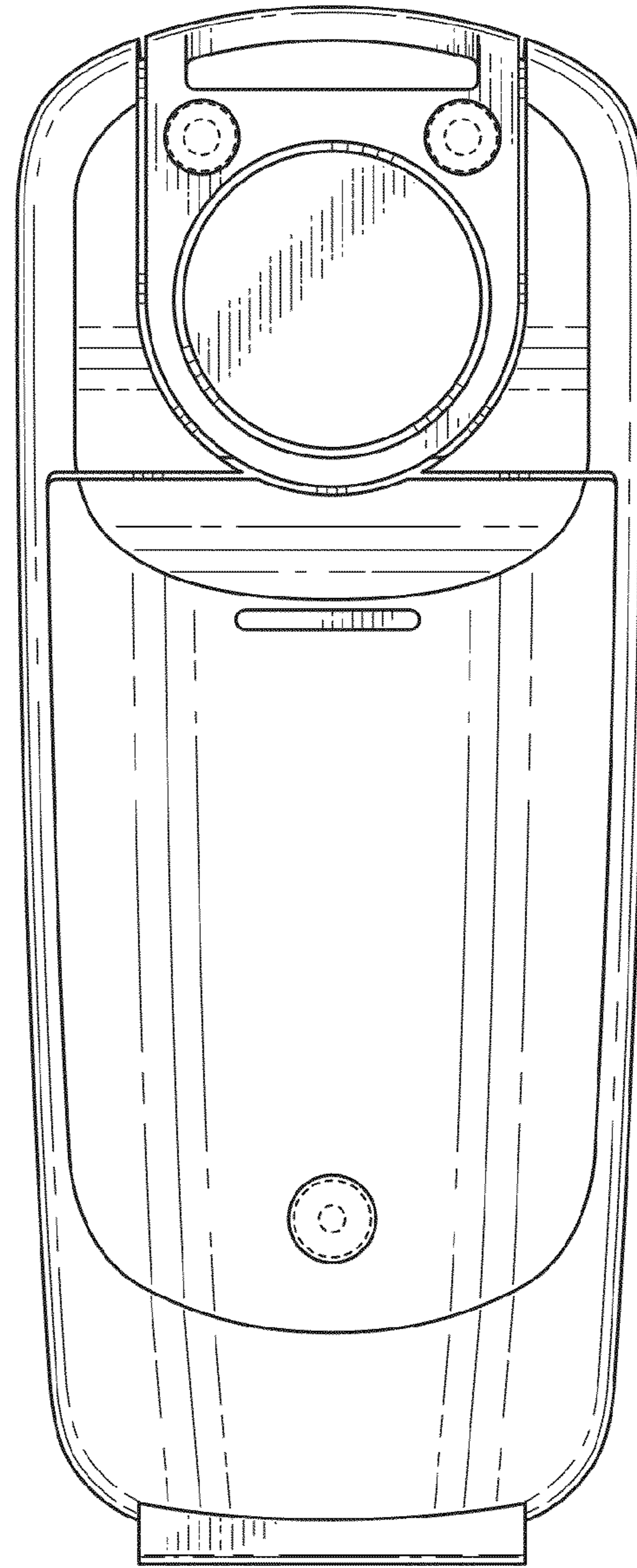


FIG. 17

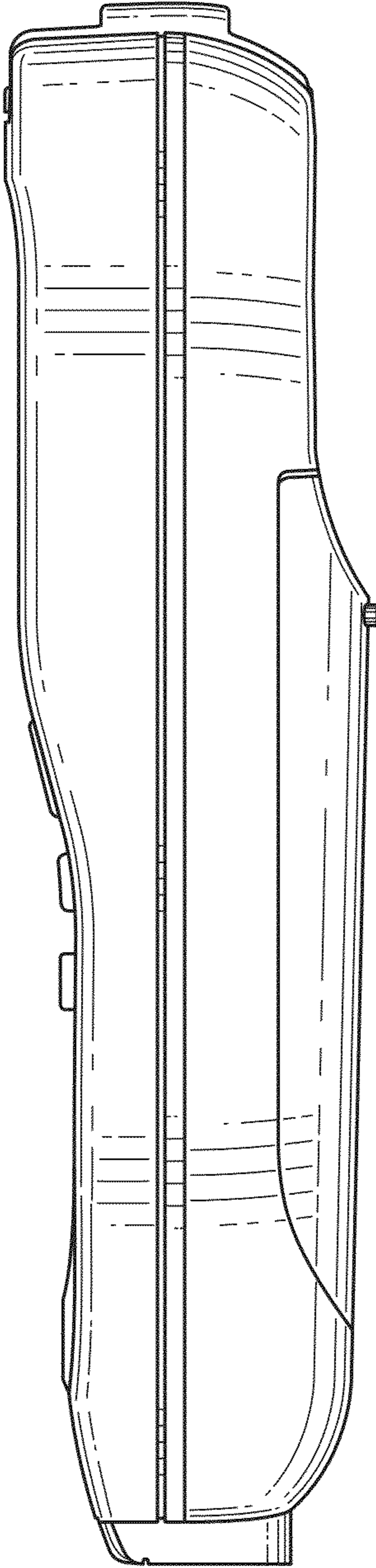


FIG. 18

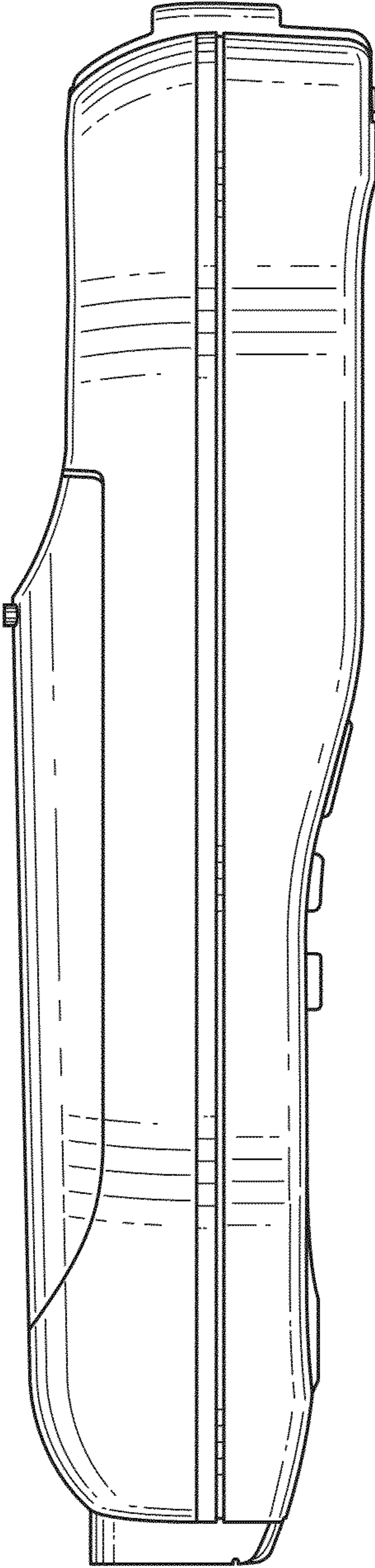


FIG. 19

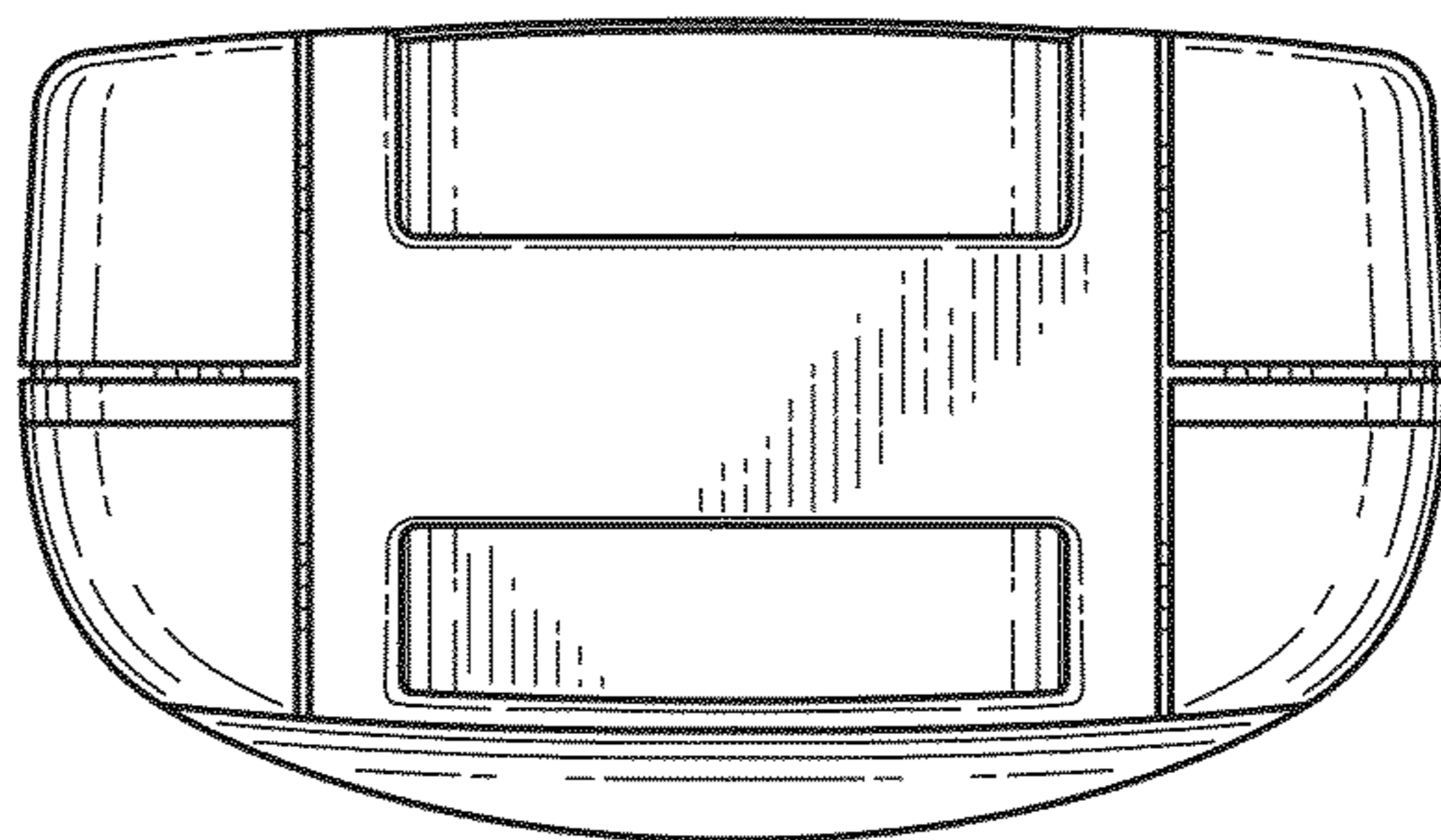


FIG. 20

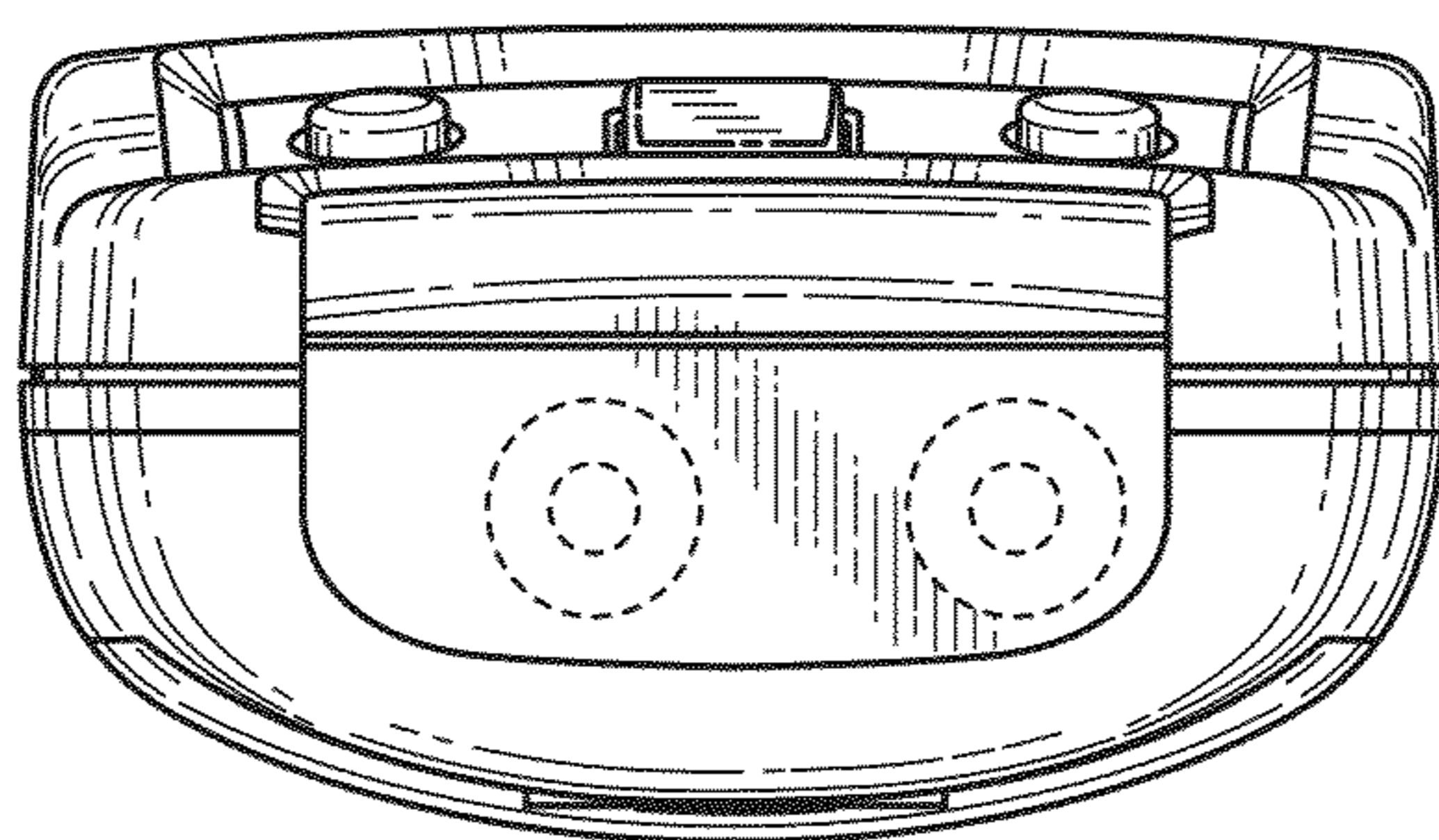


FIG. 21

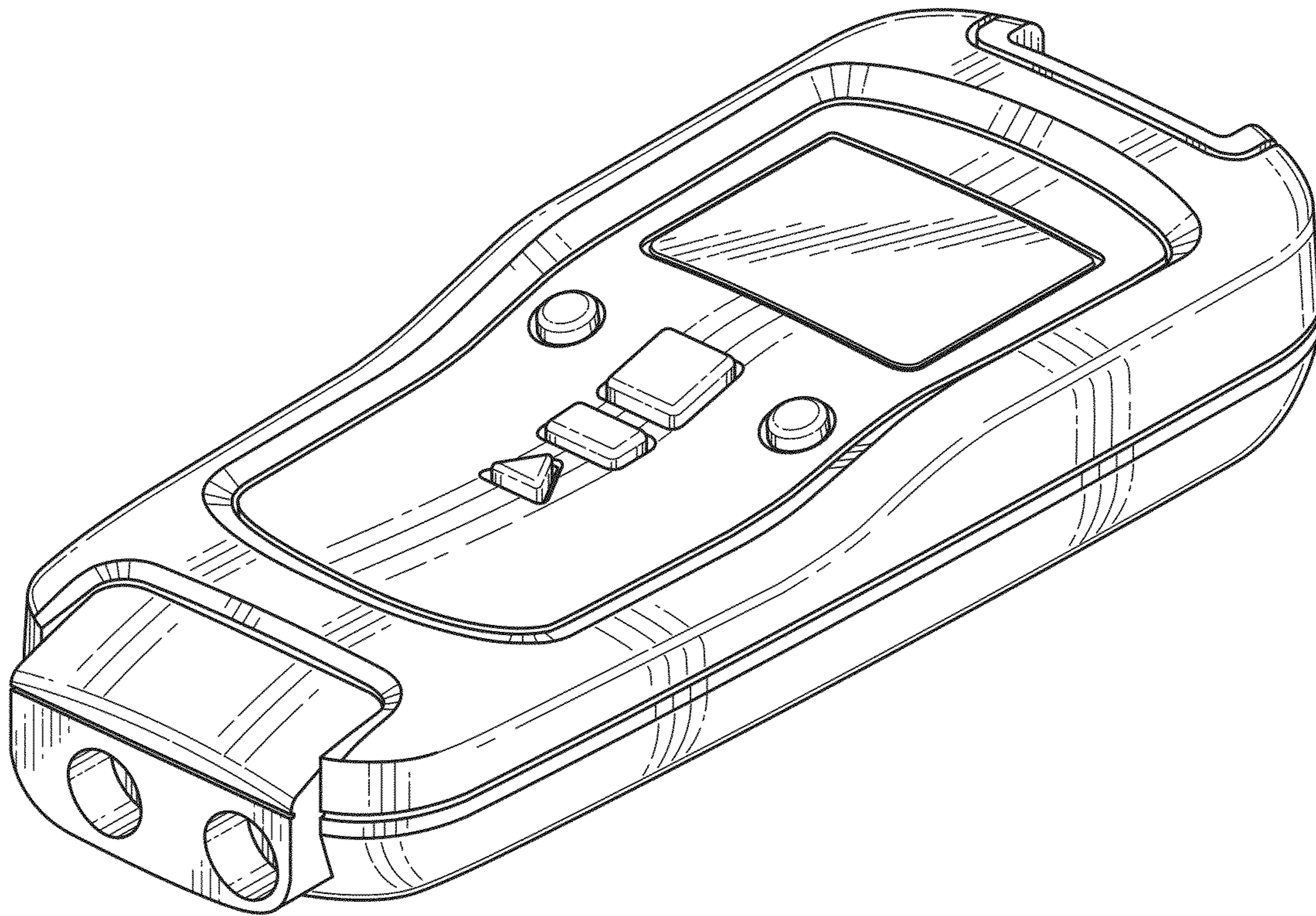


FIG. 22

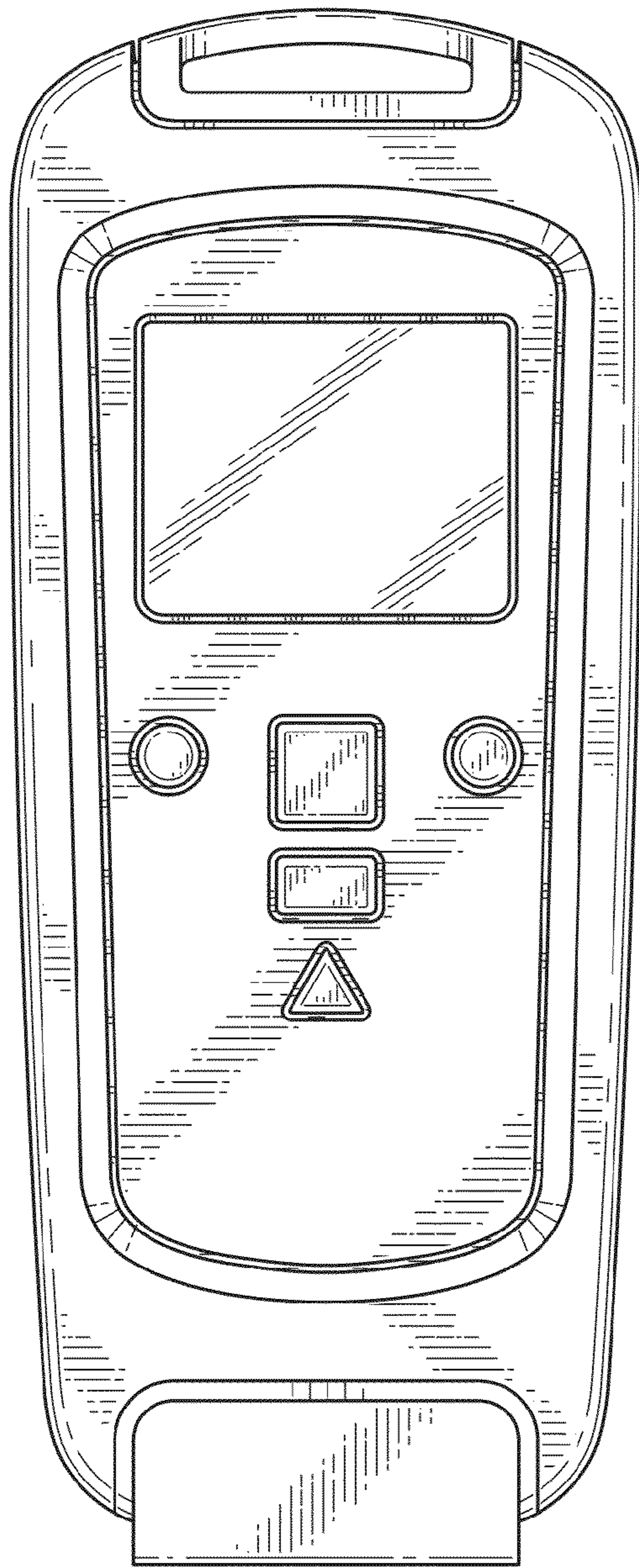


FIG. 23

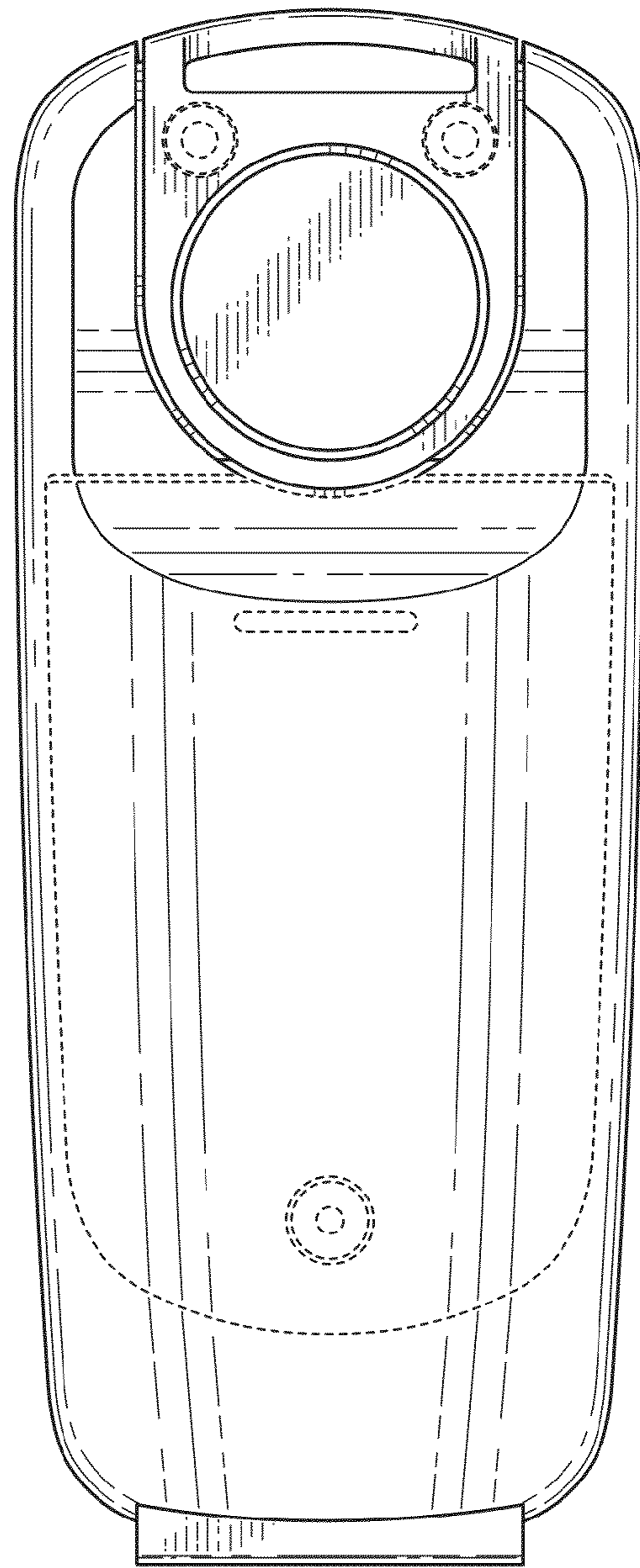


FIG. 24

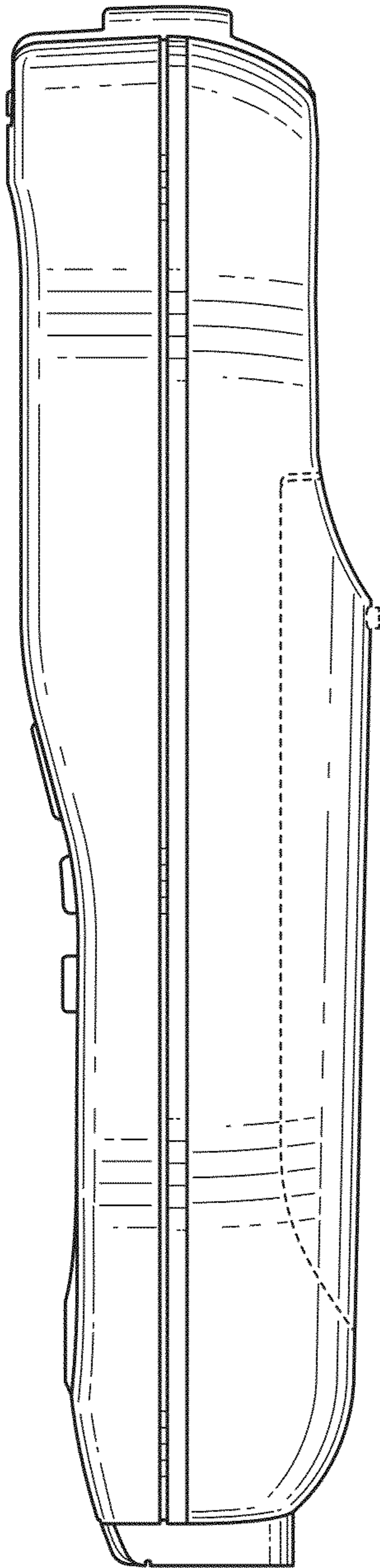


FIG. 25

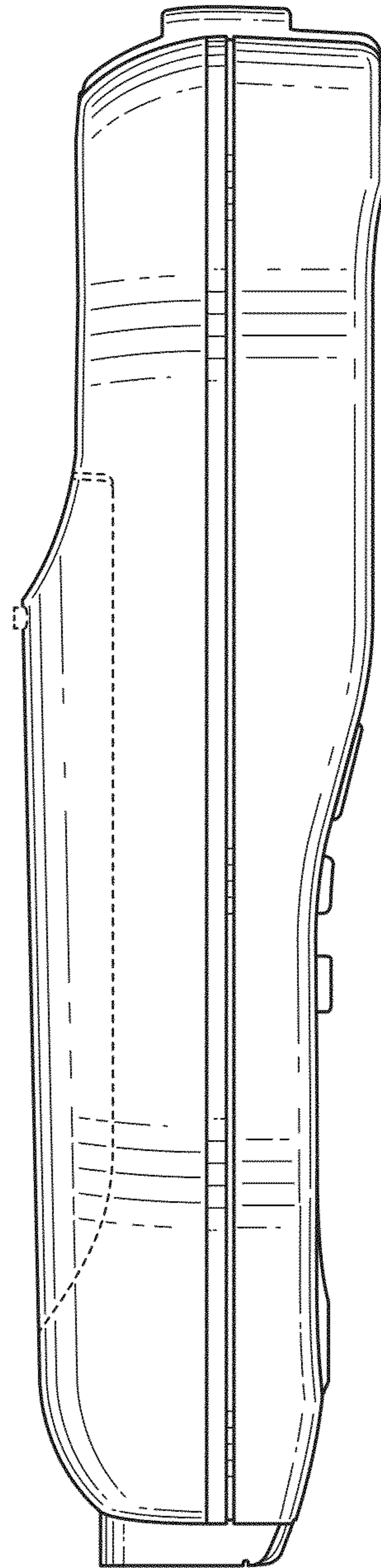


FIG. 26

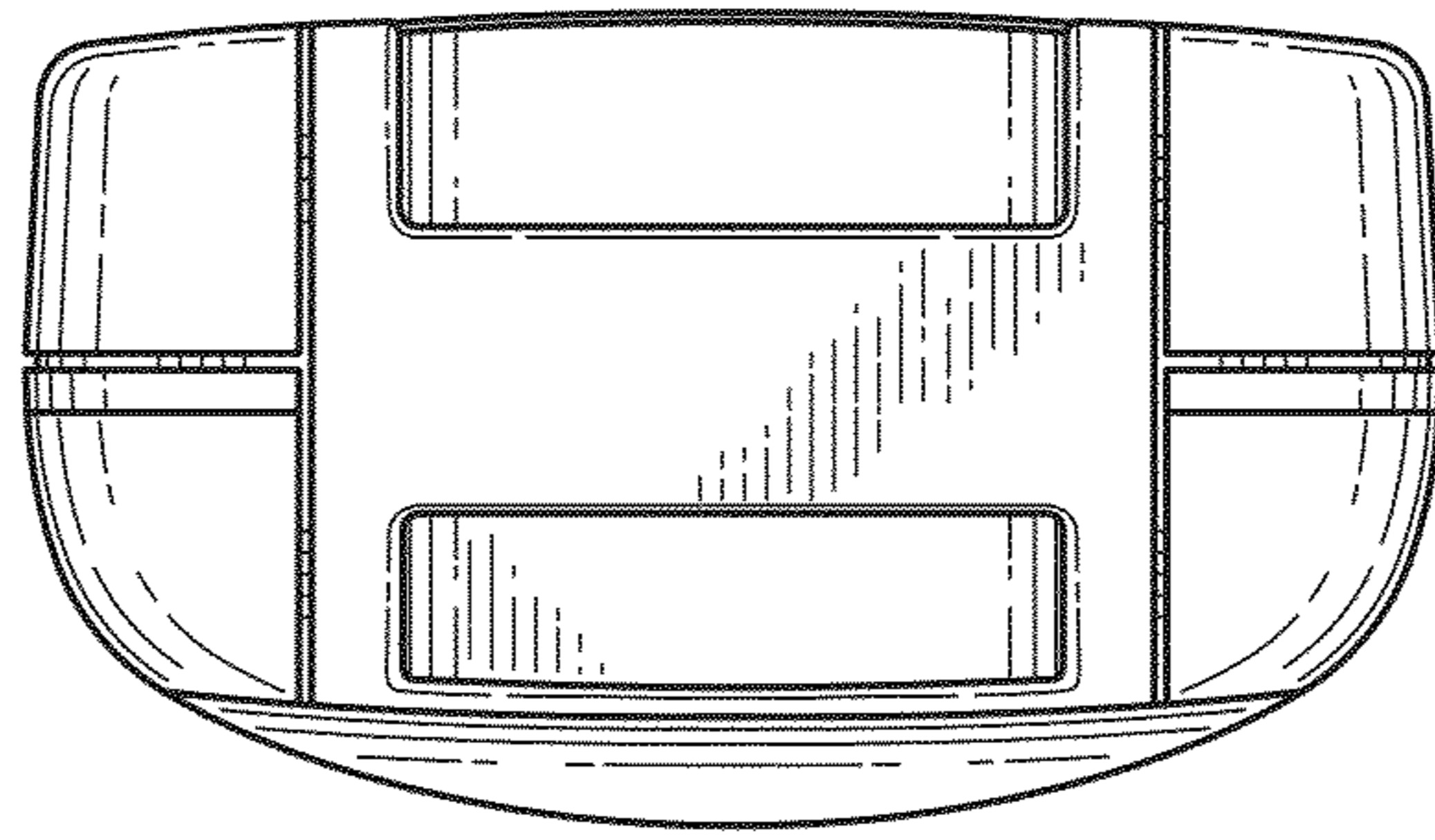


FIG. 27

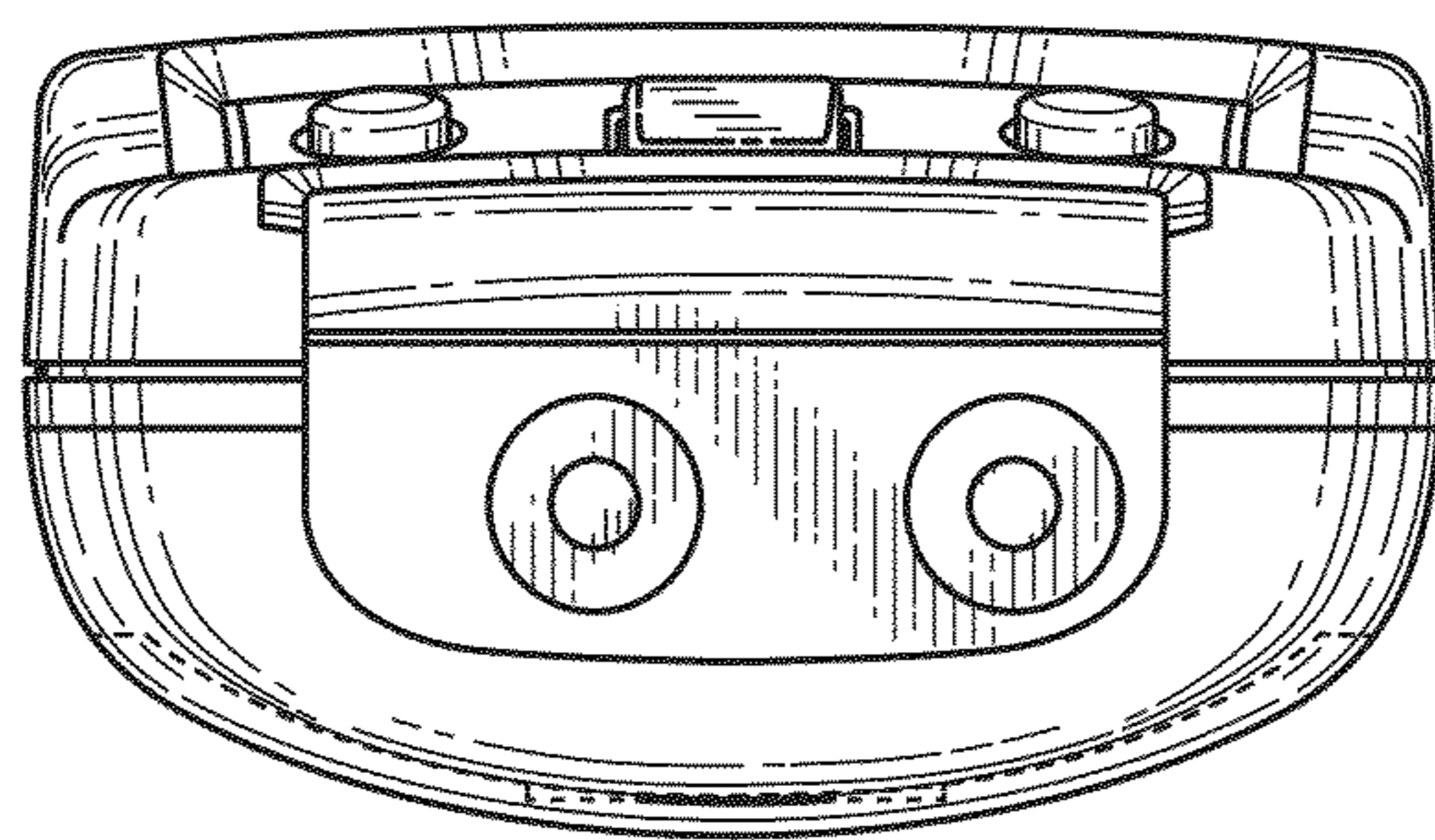


FIG. 28

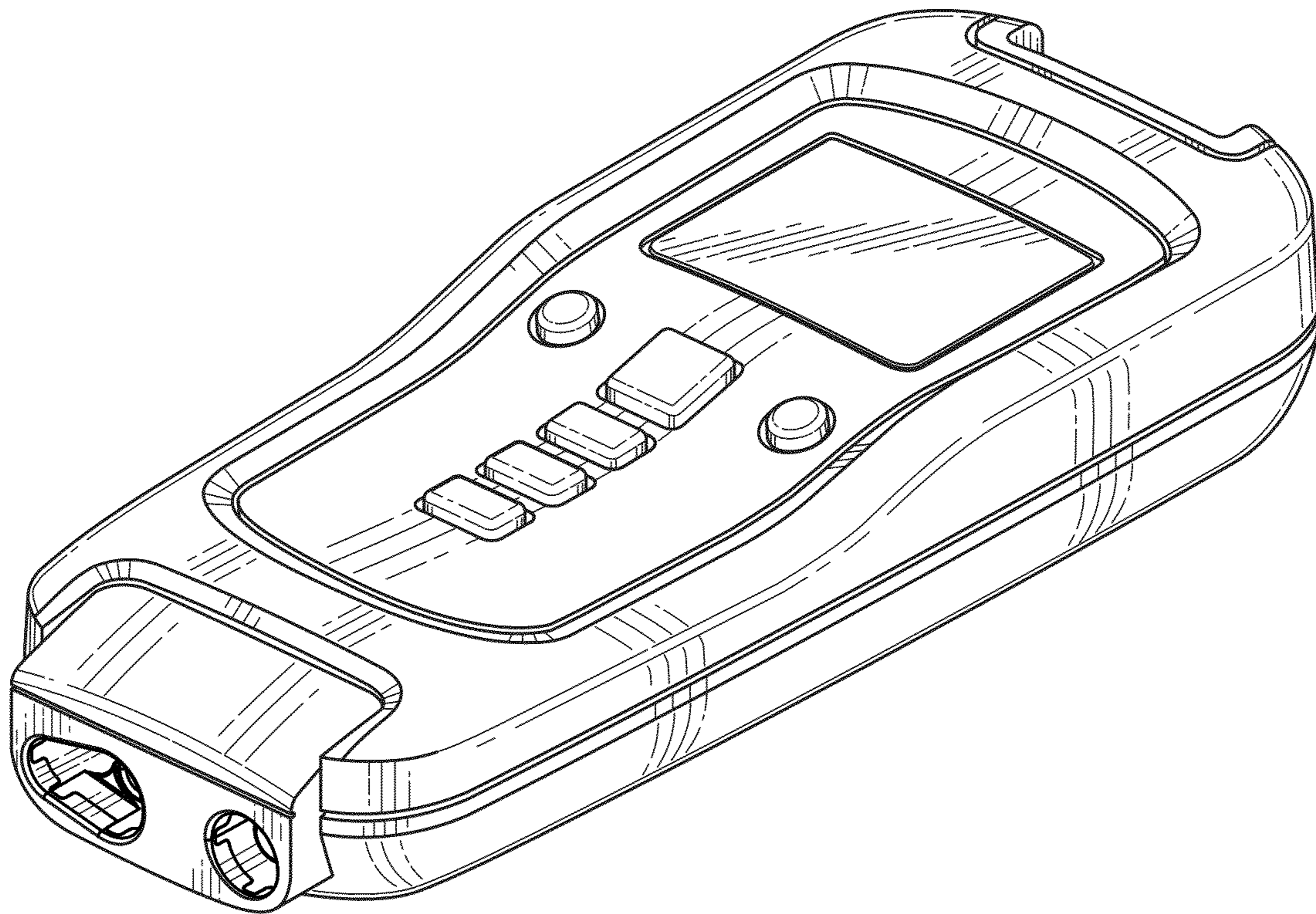


FIG. 29

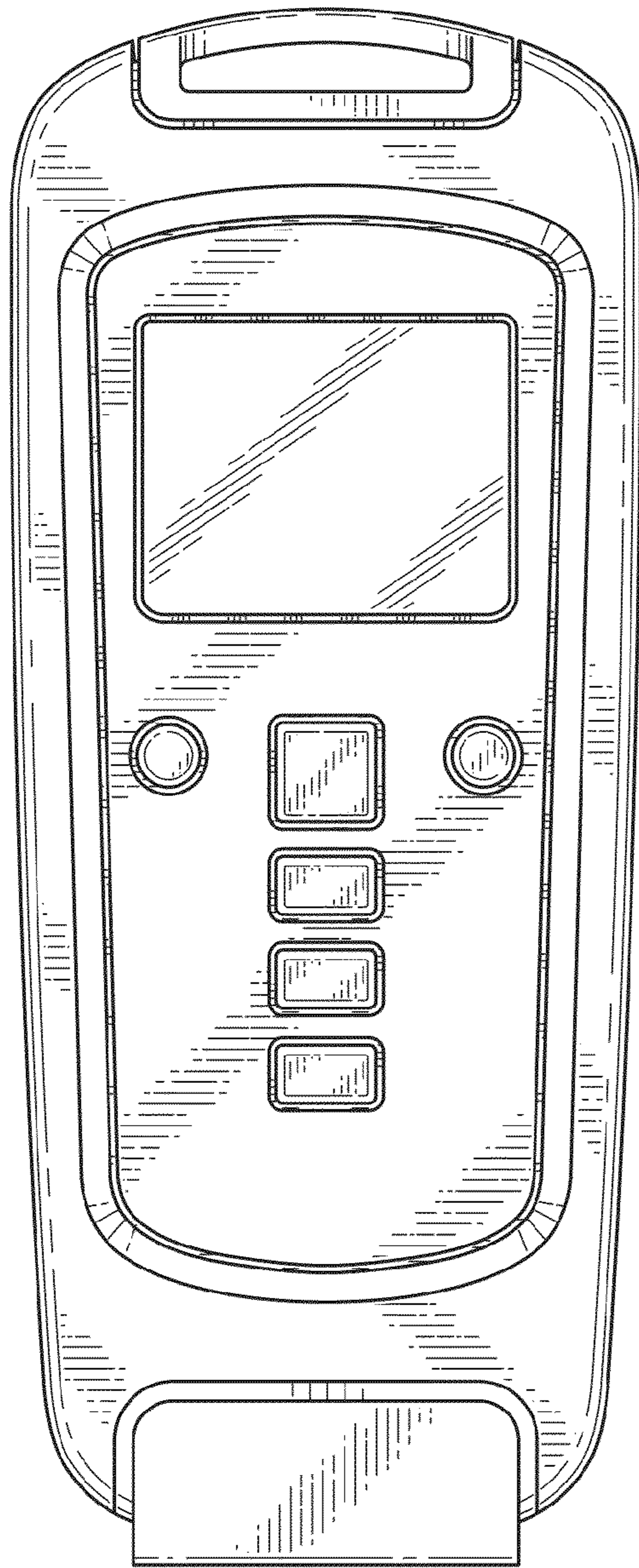


FIG. 30

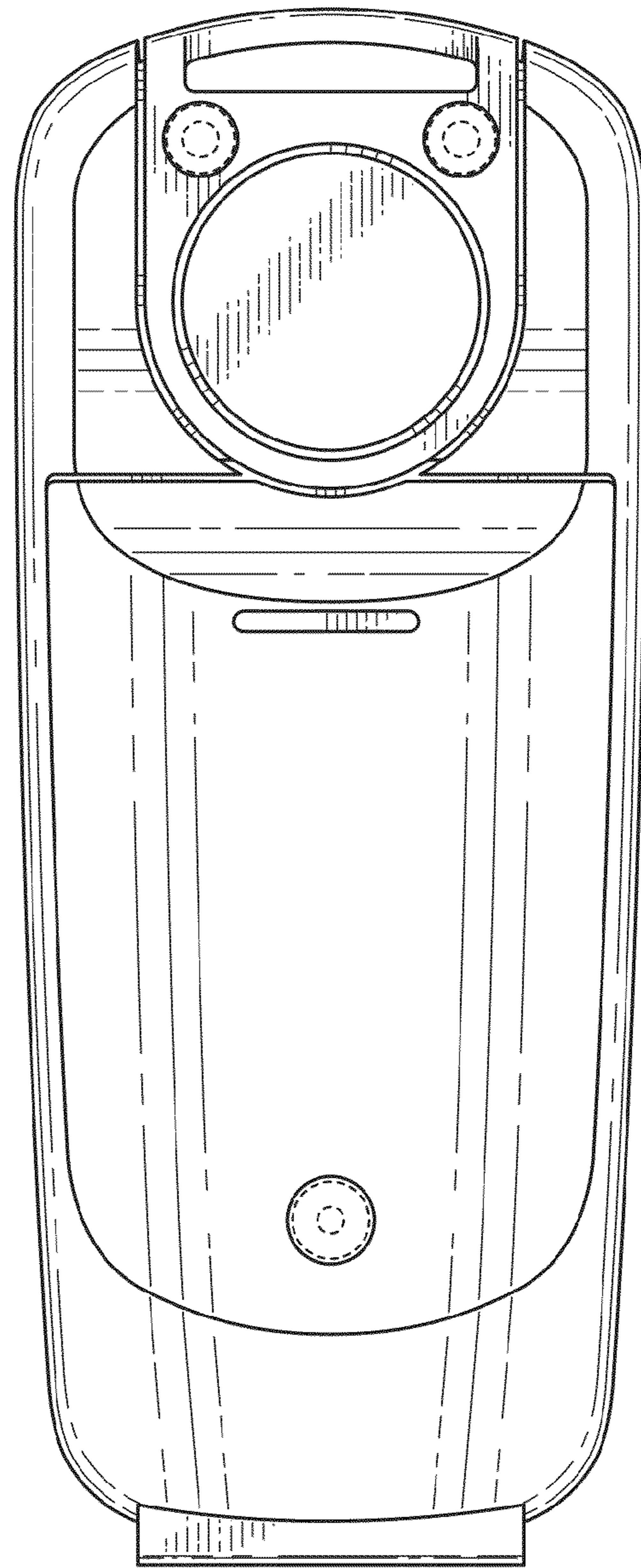


FIG. 31

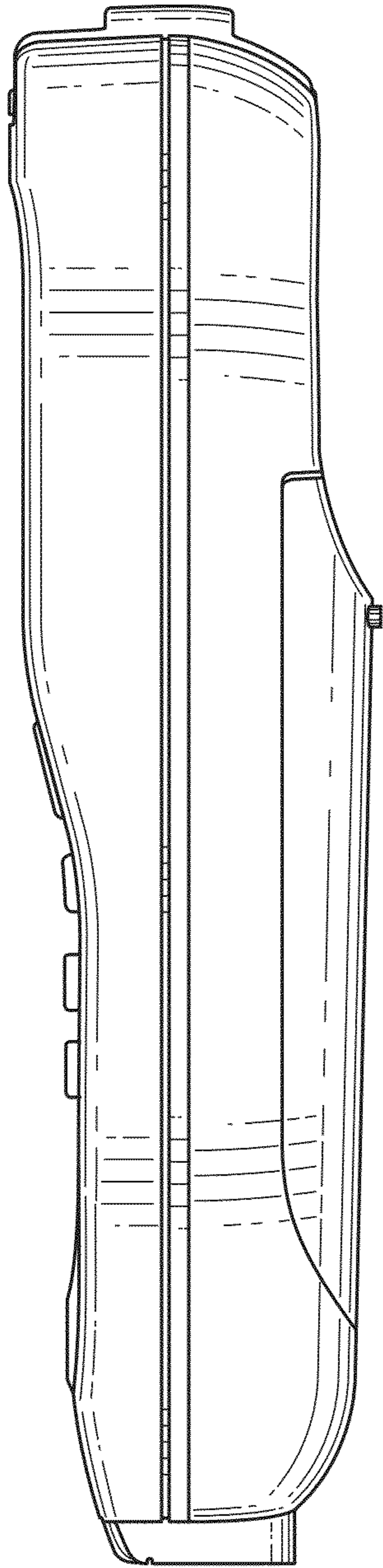


FIG. 32

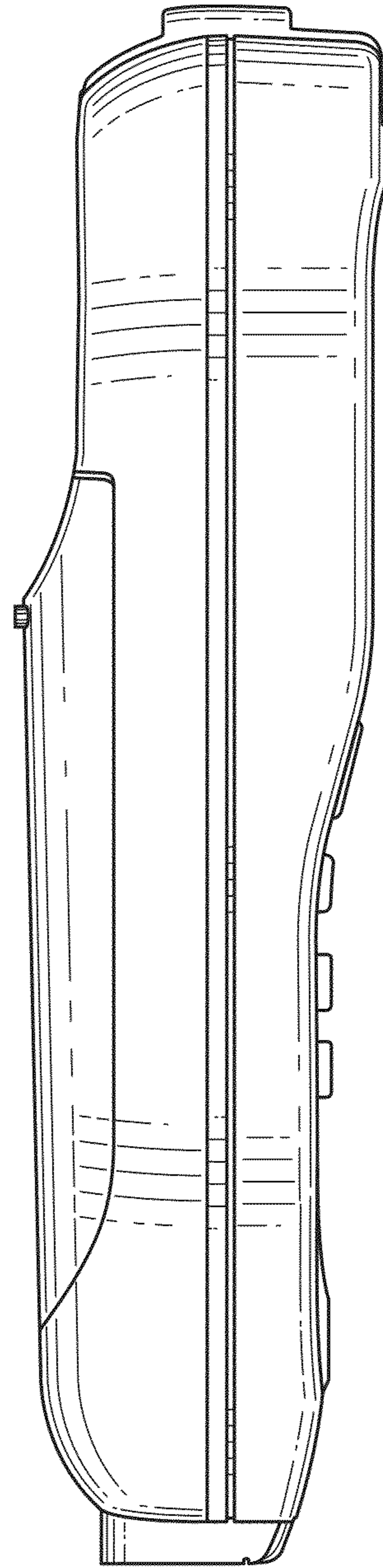


FIG. 33

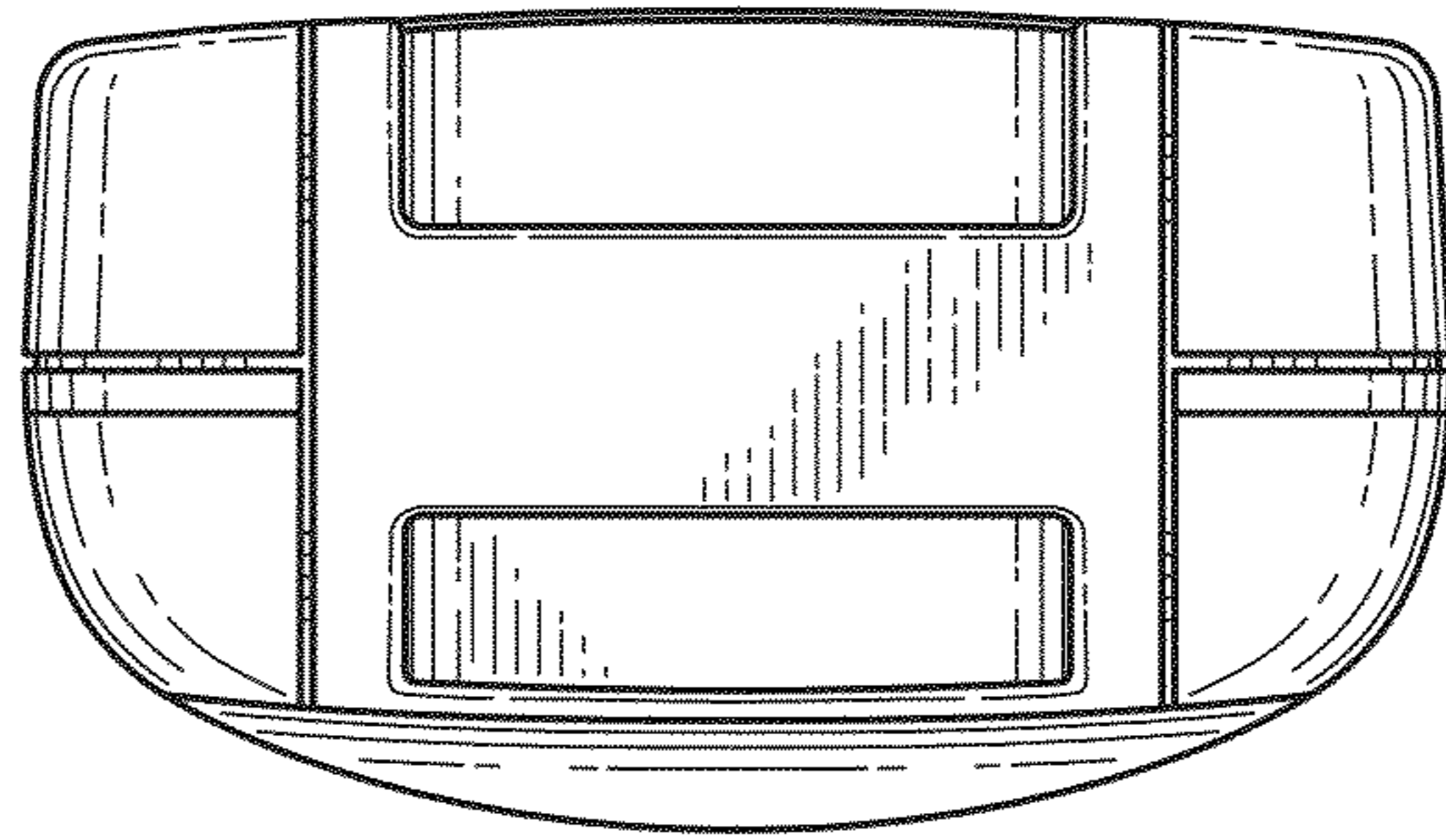


FIG. 34

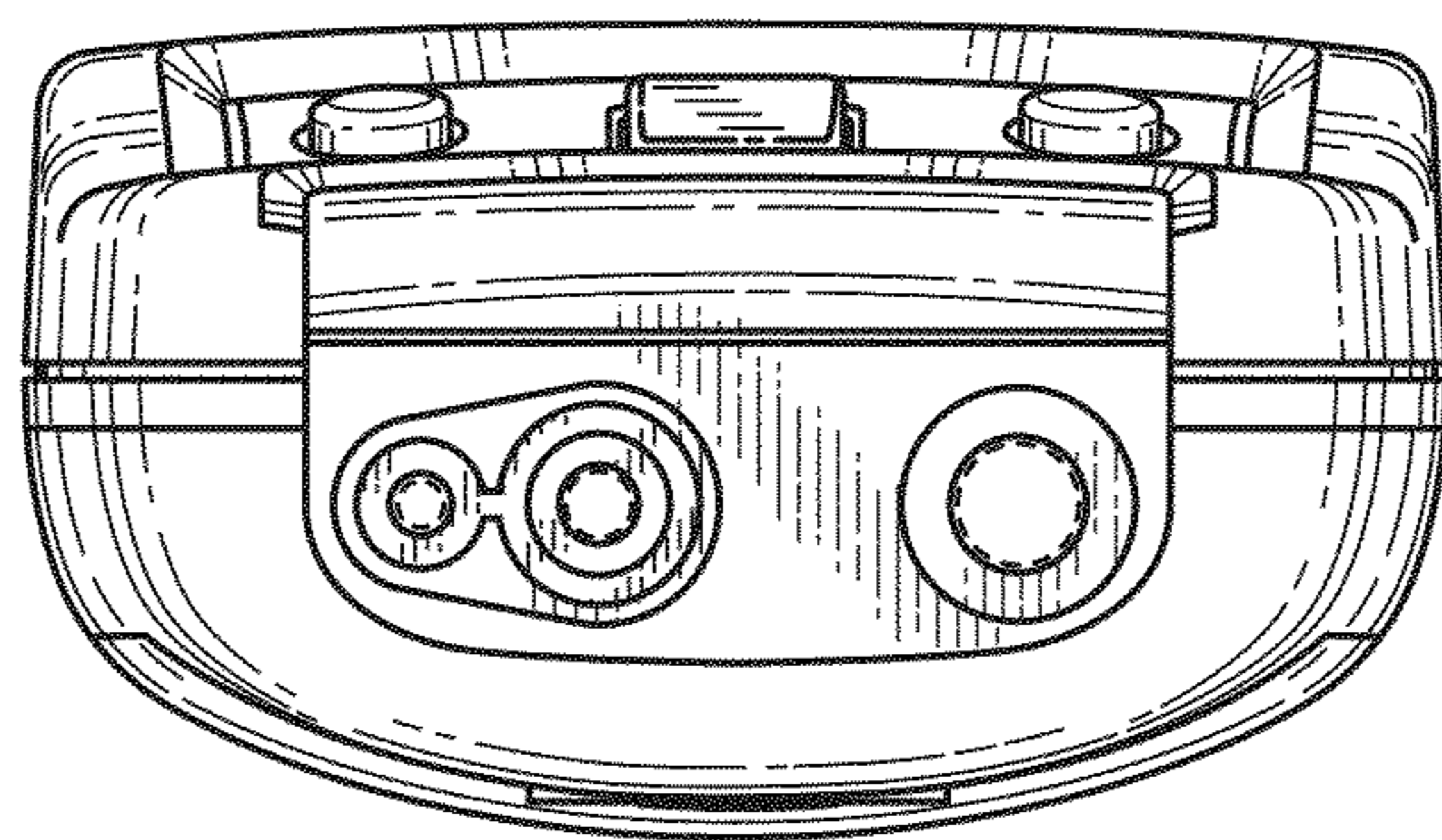


FIG. 35

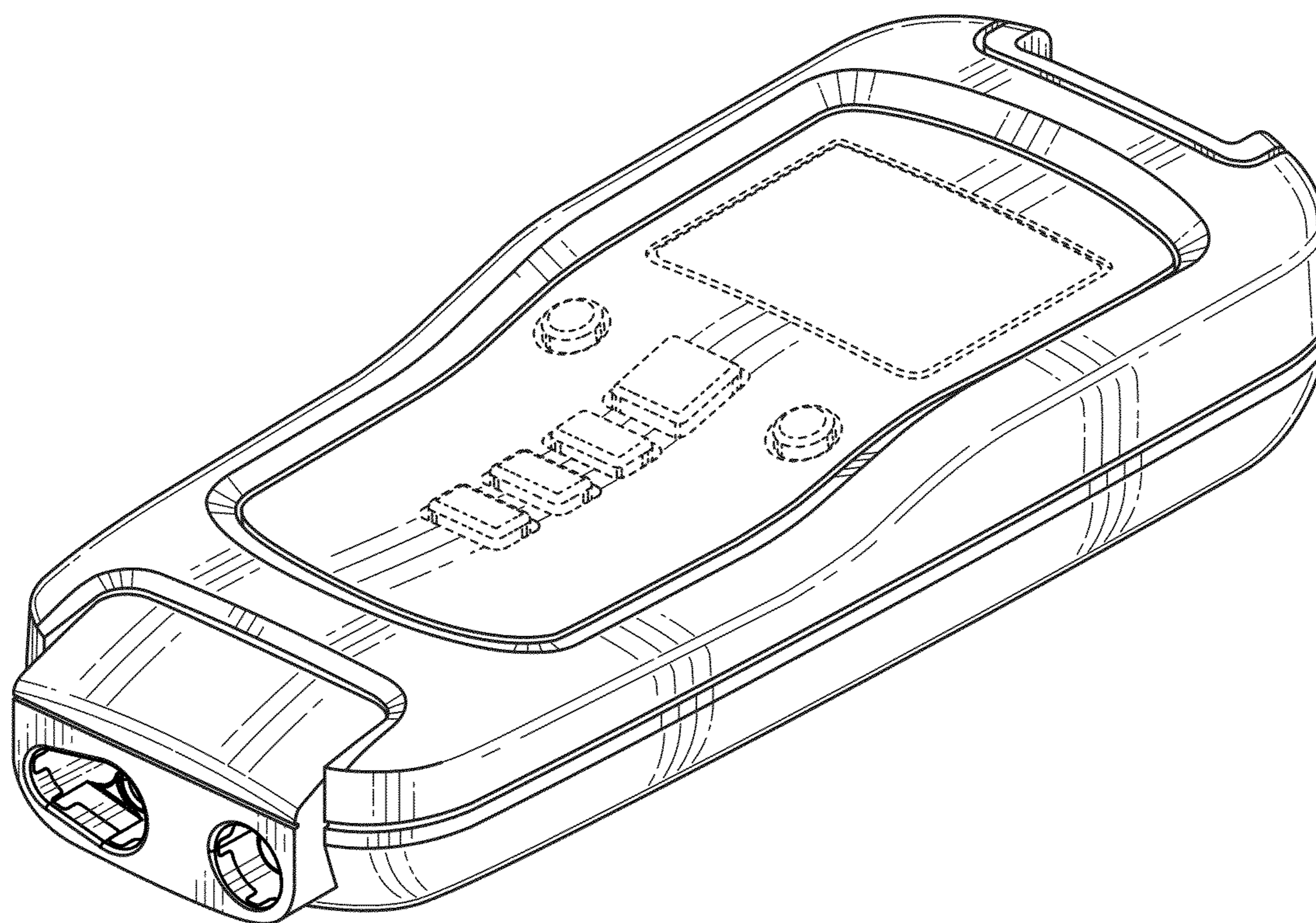


FIG. 36

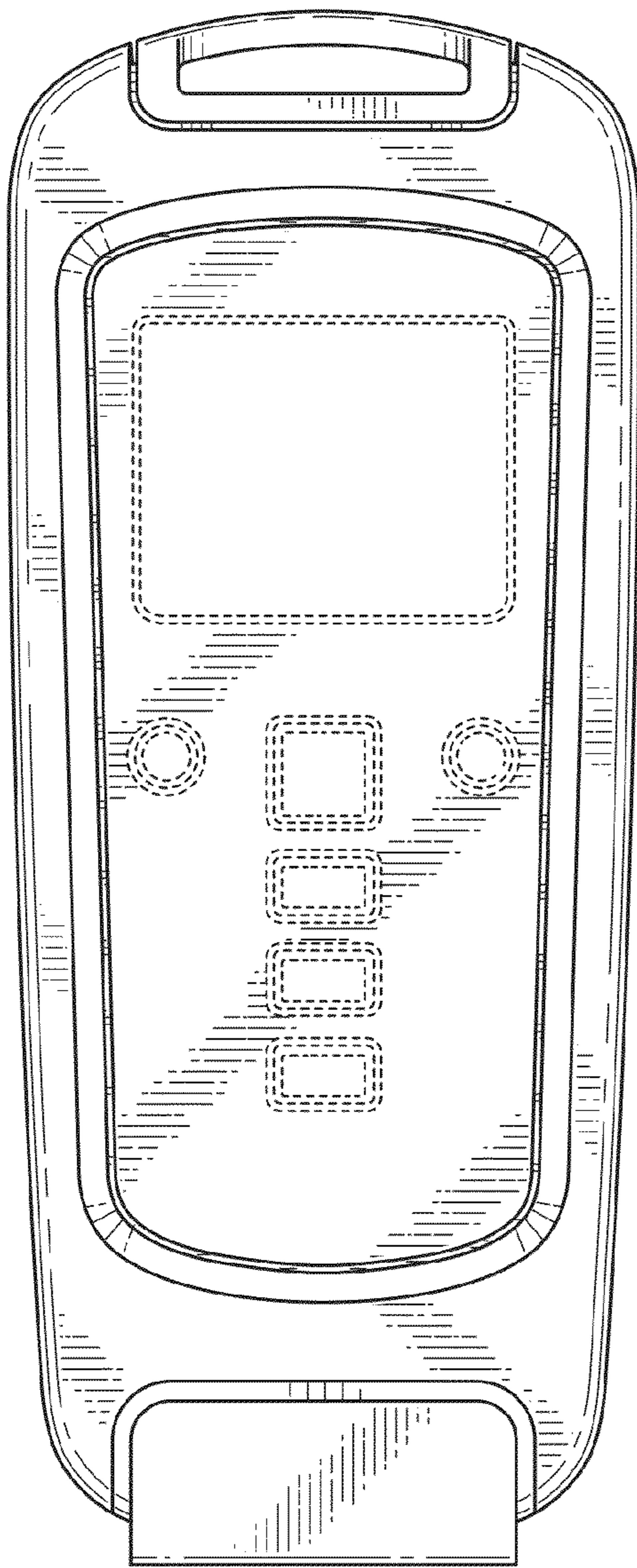


FIG. 37

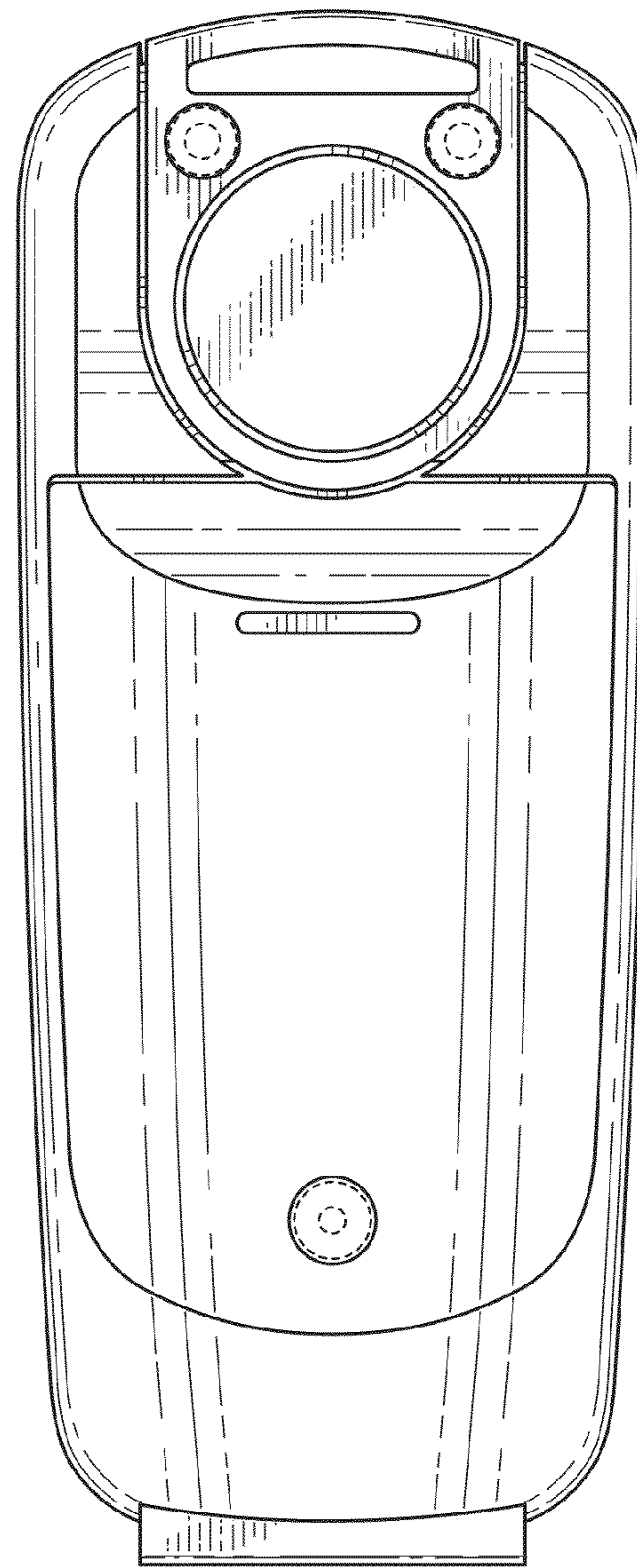


FIG. 38

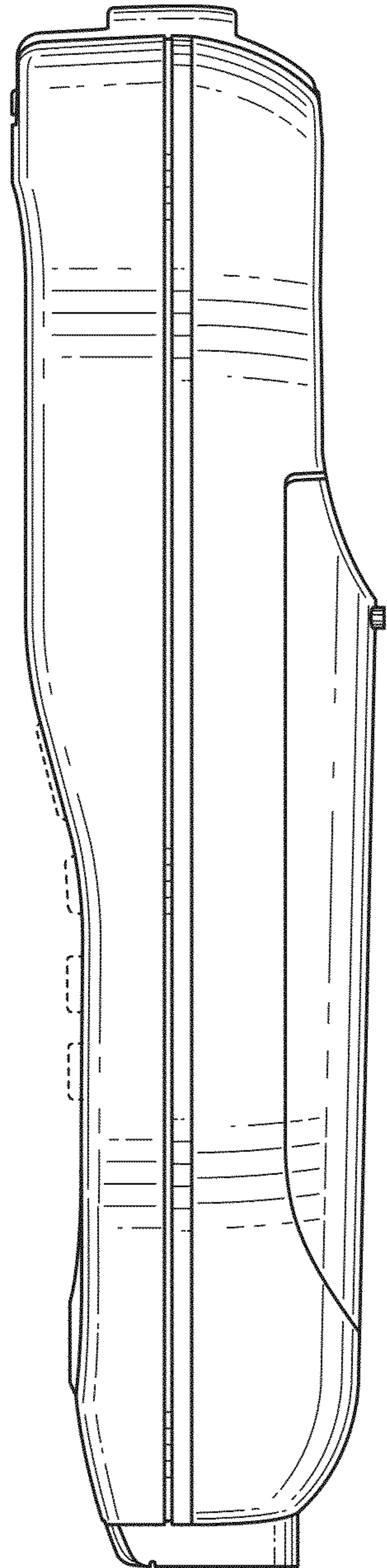


FIG. 39

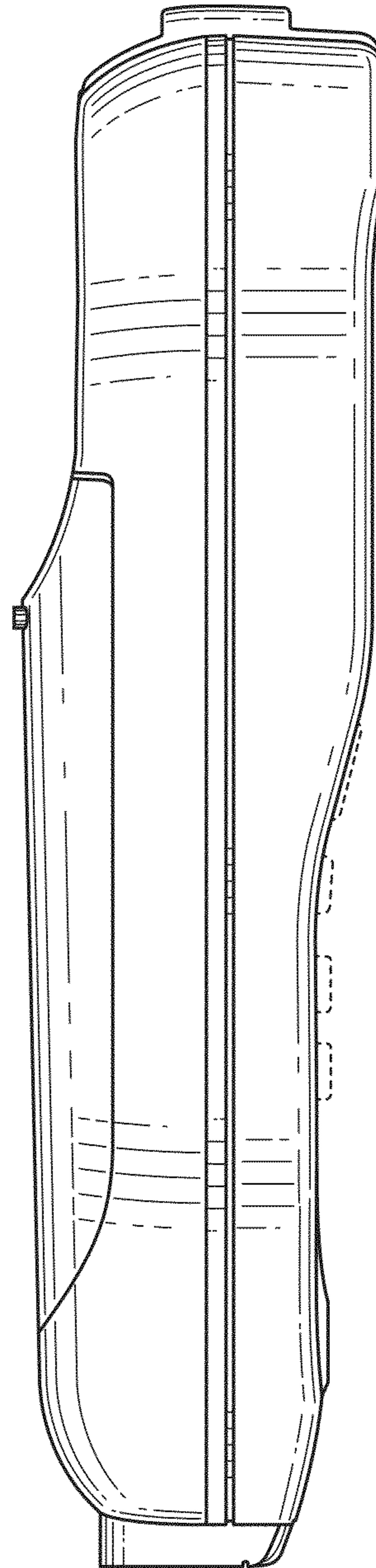


FIG. 40

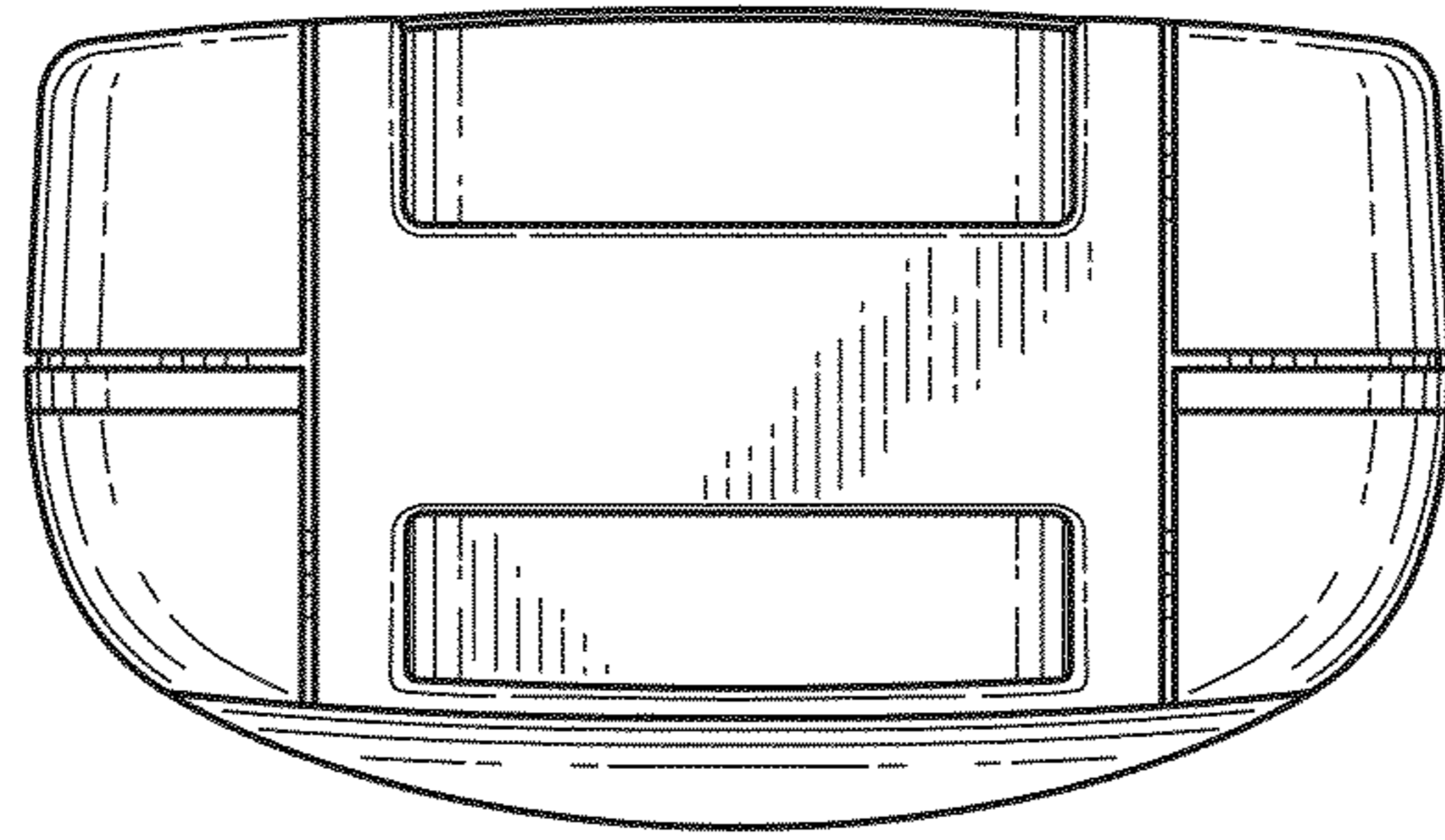


FIG. 41

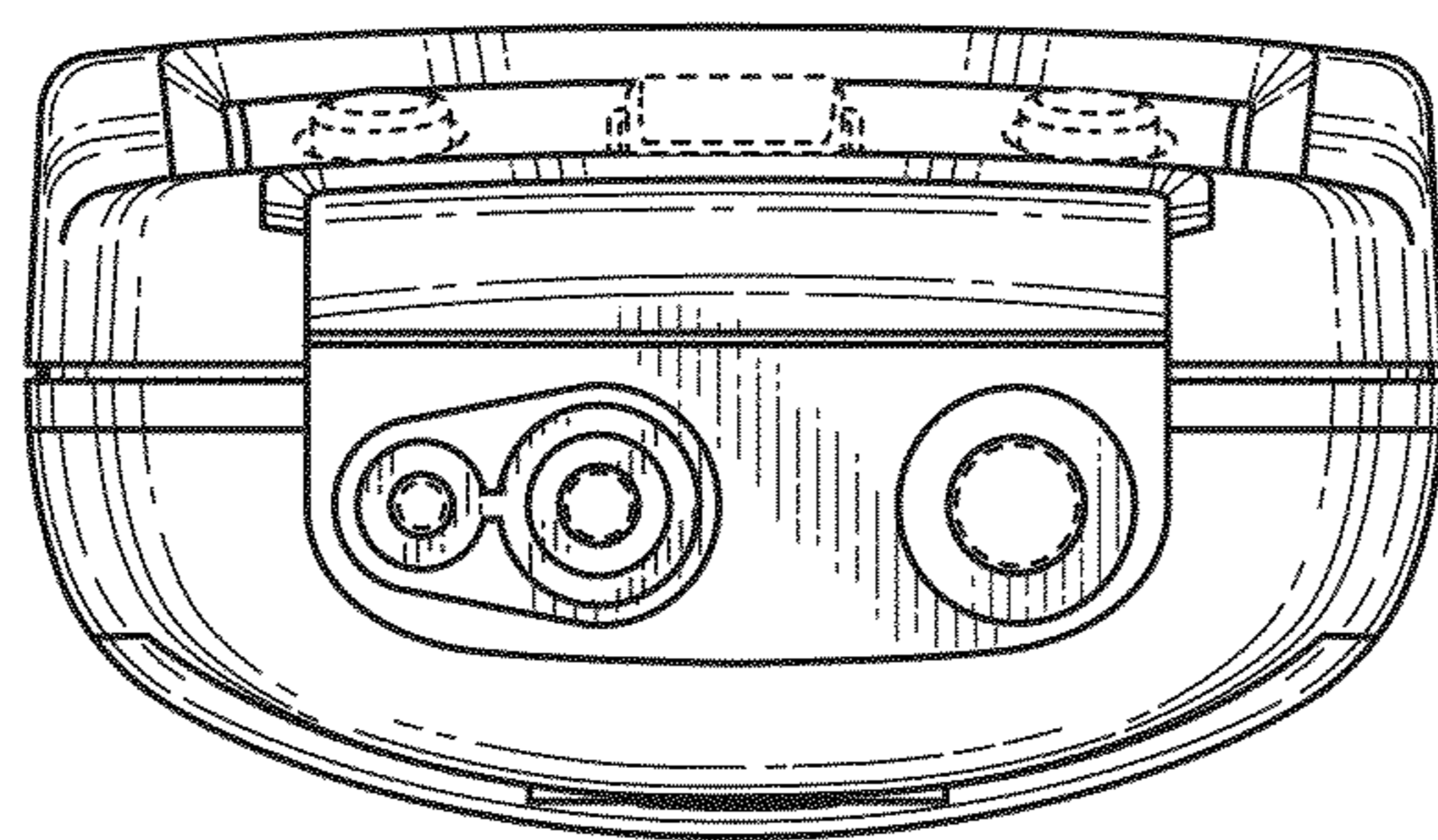


FIG. 42

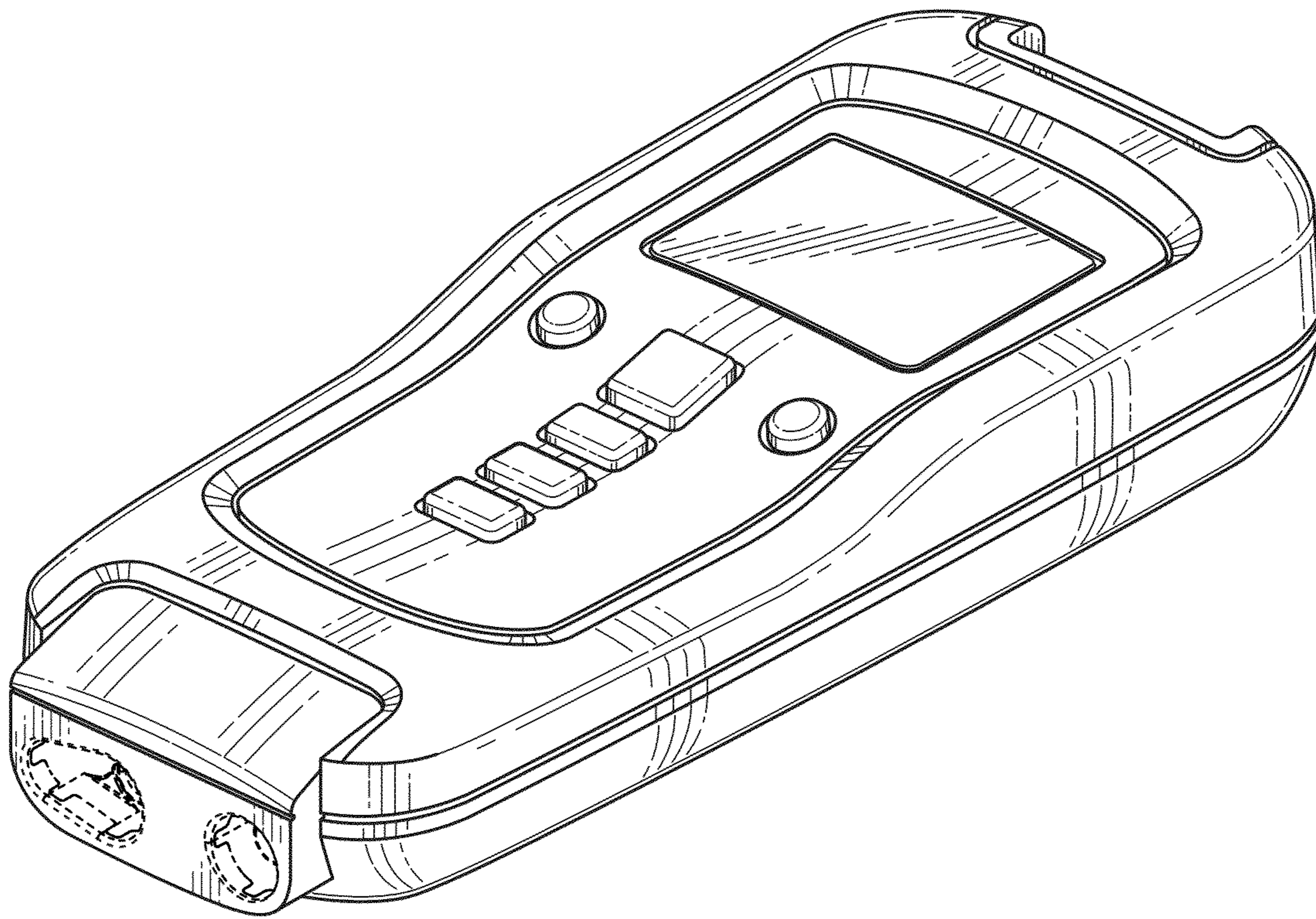


FIG. 43

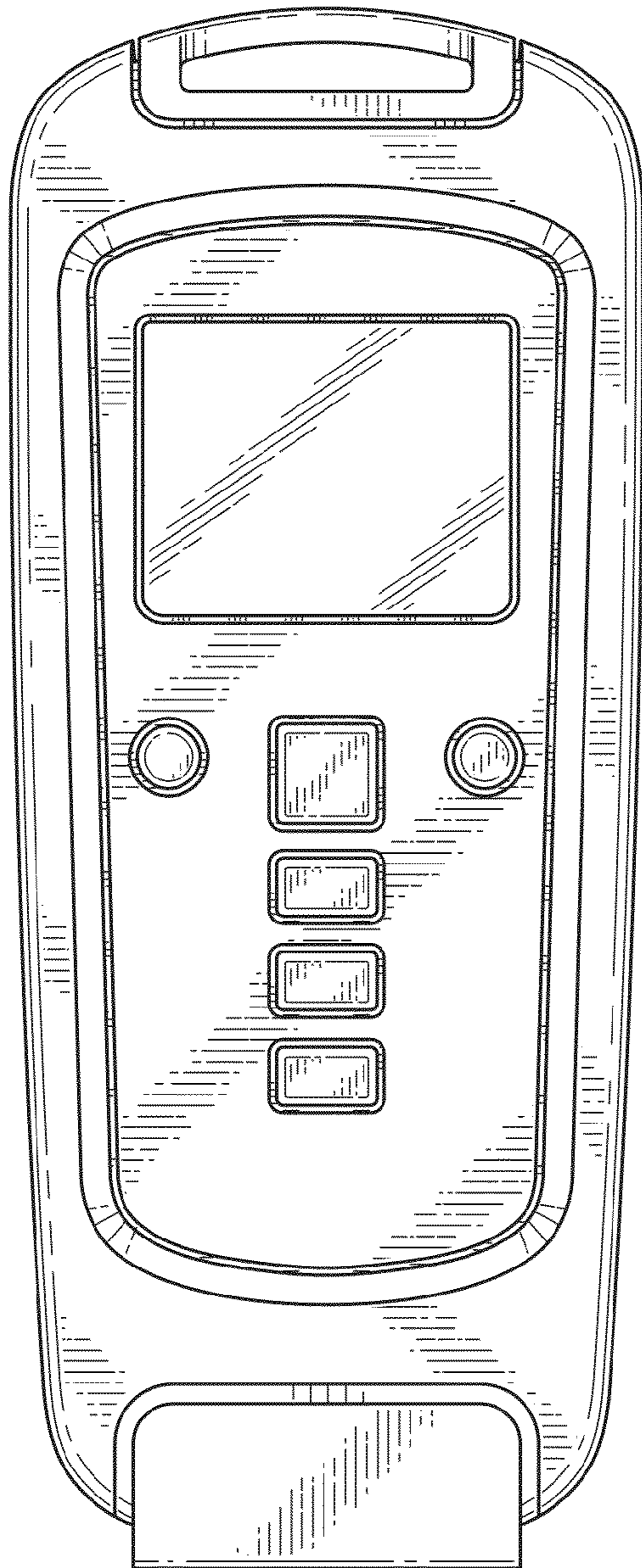


FIG. 44

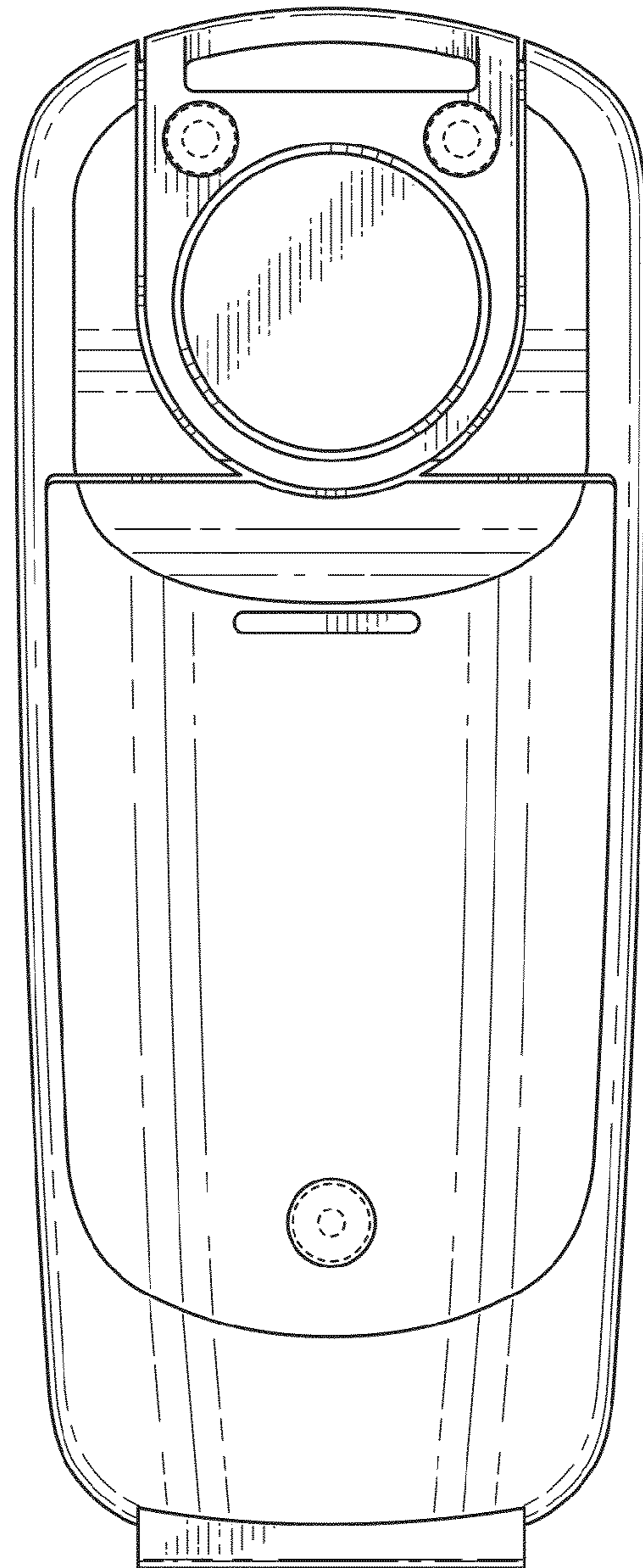


FIG. 45

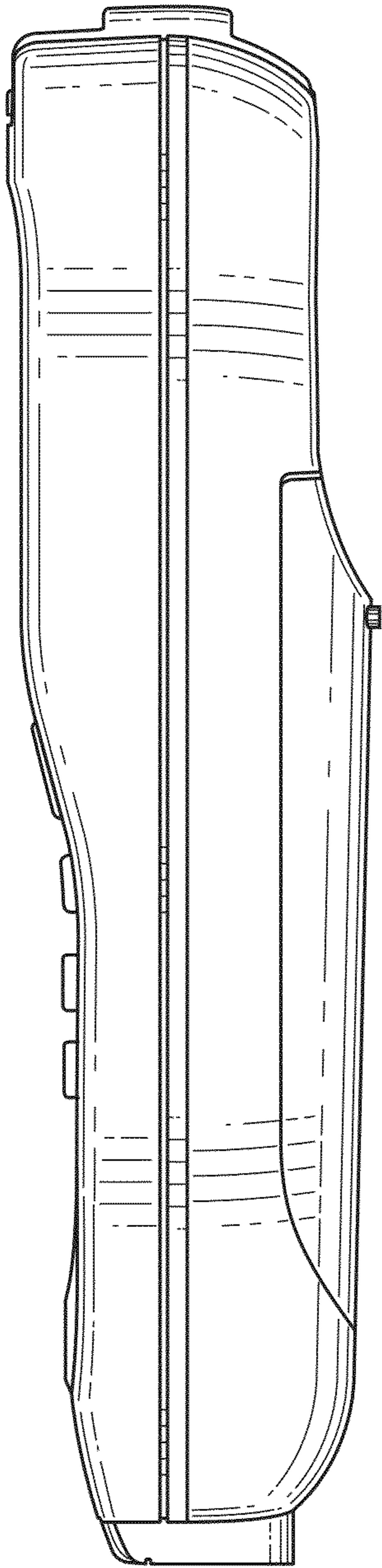


FIG. 46

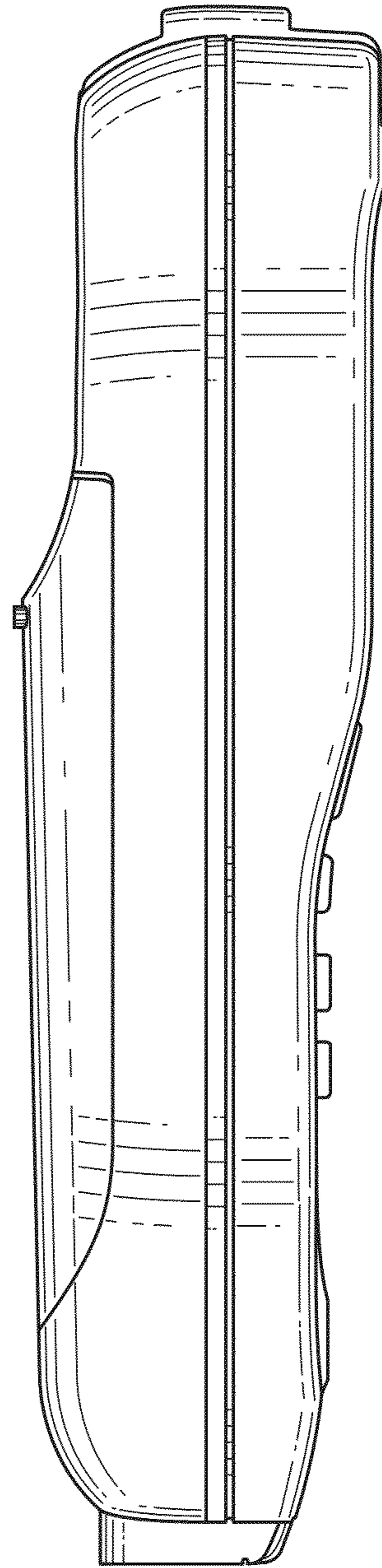


FIG. 47

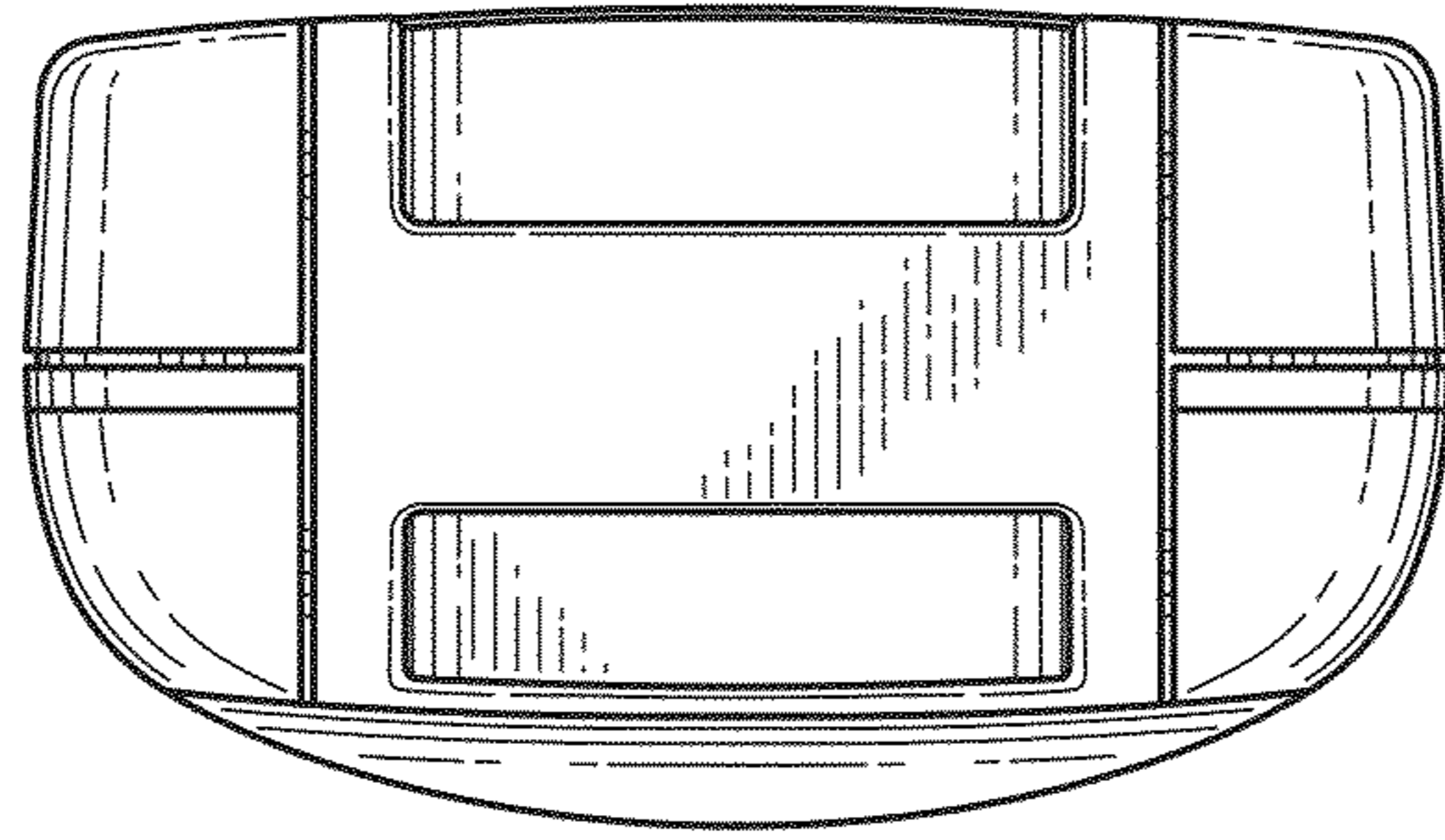


FIG. 48

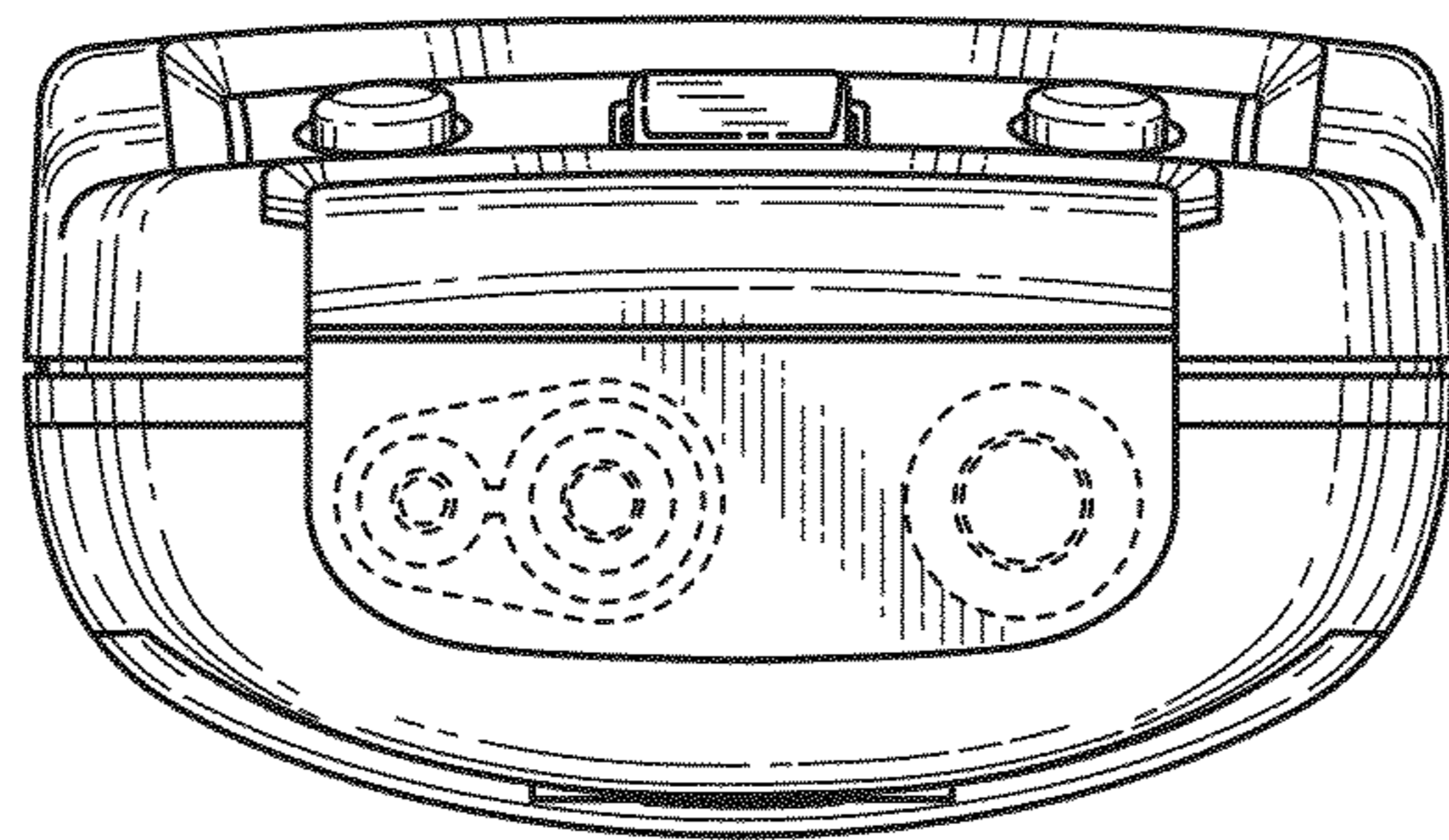


FIG. 49

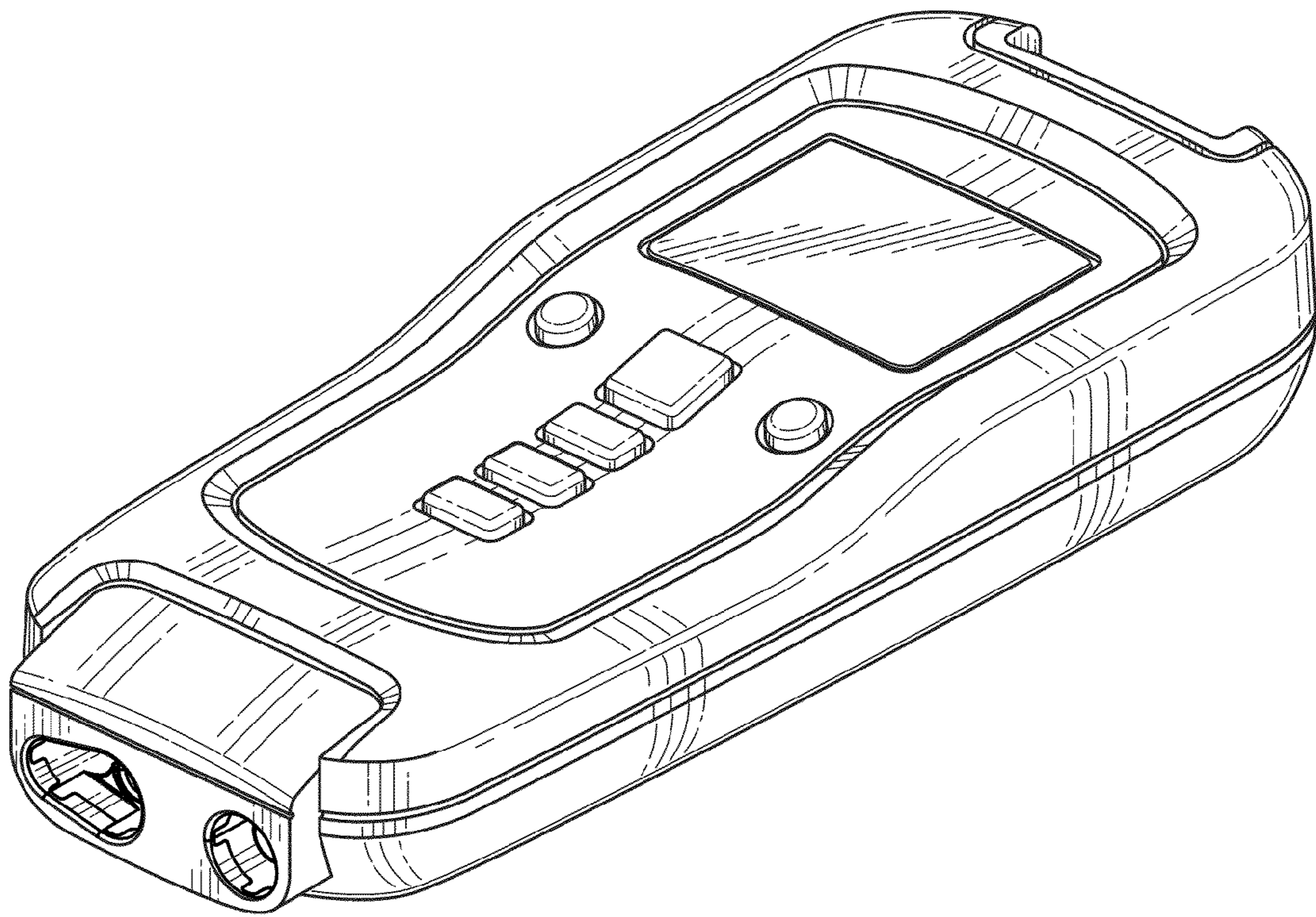


FIG. 50

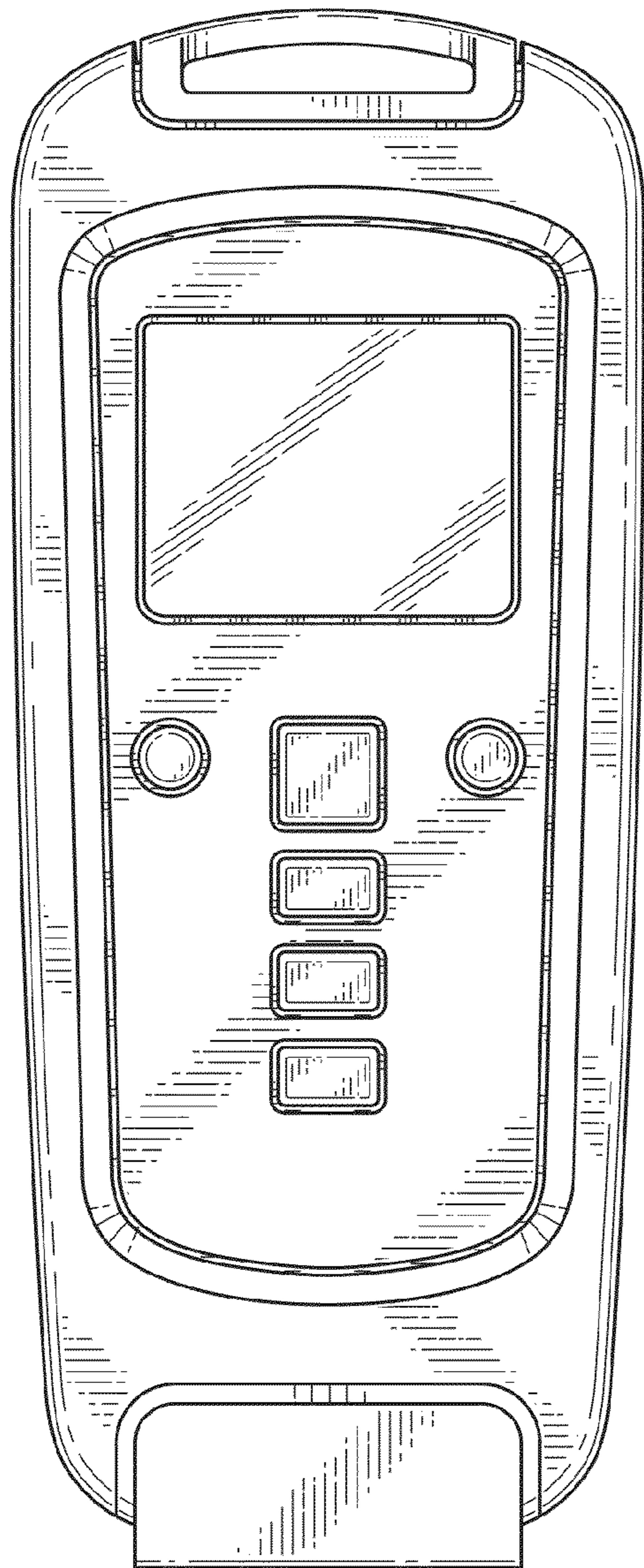


FIG. 51

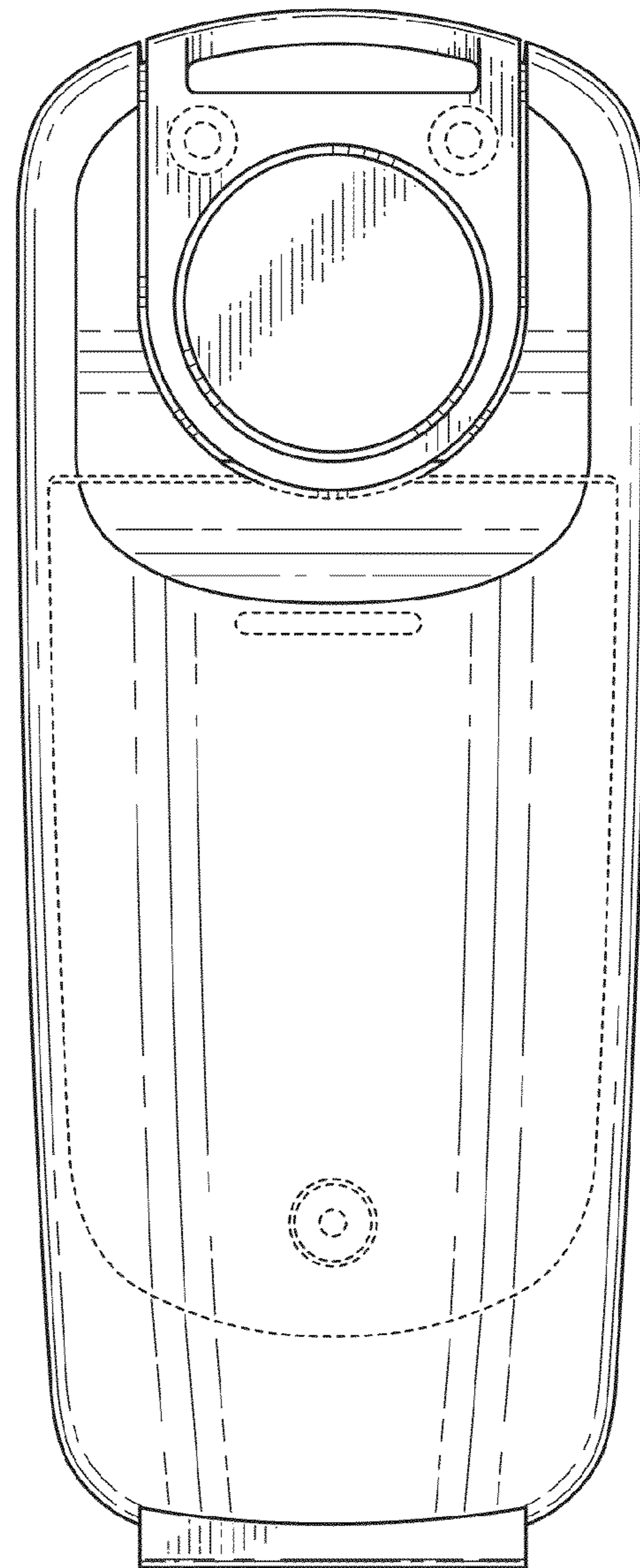


FIG. 52

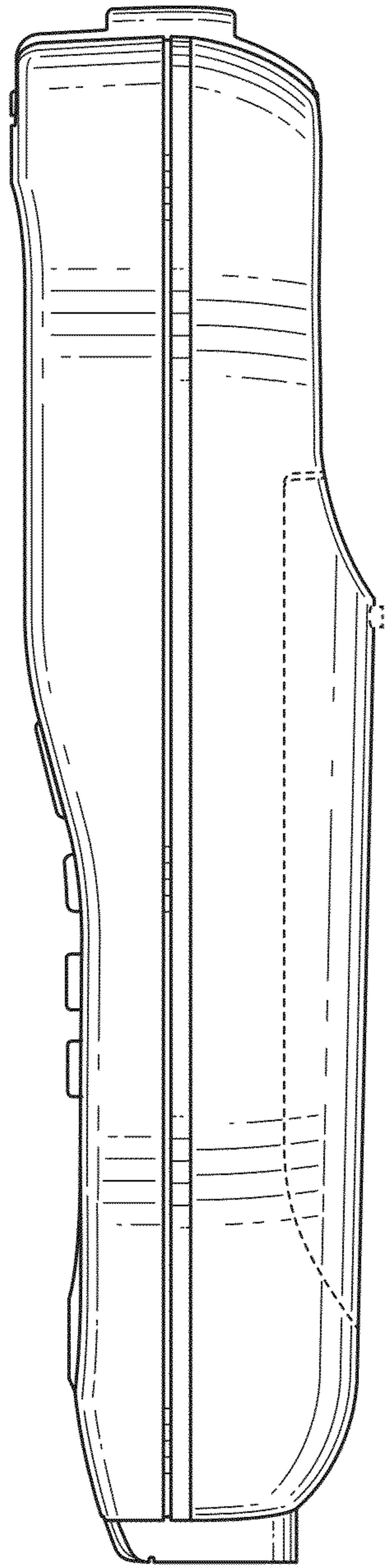


FIG. 53

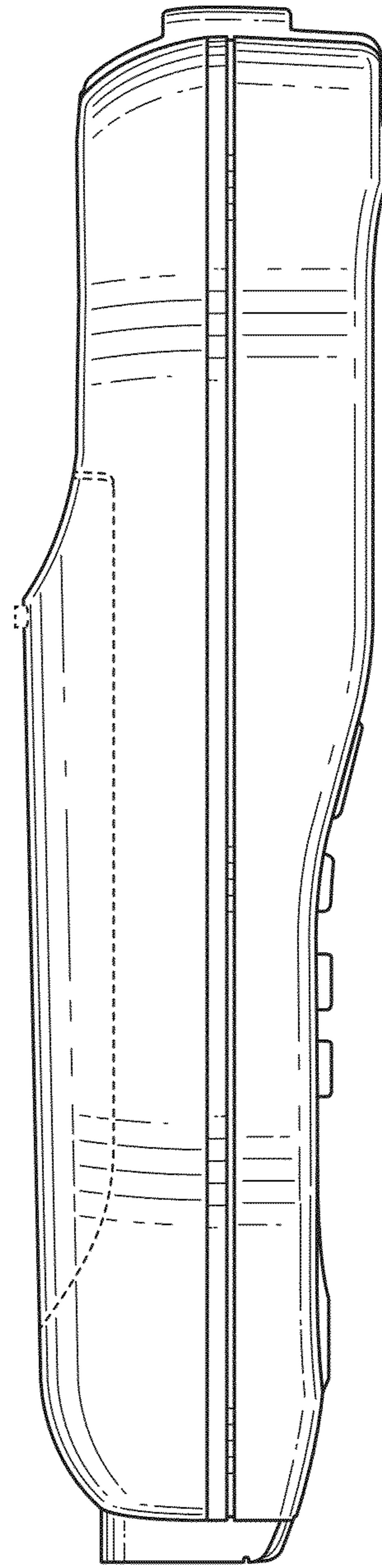


FIG. 54

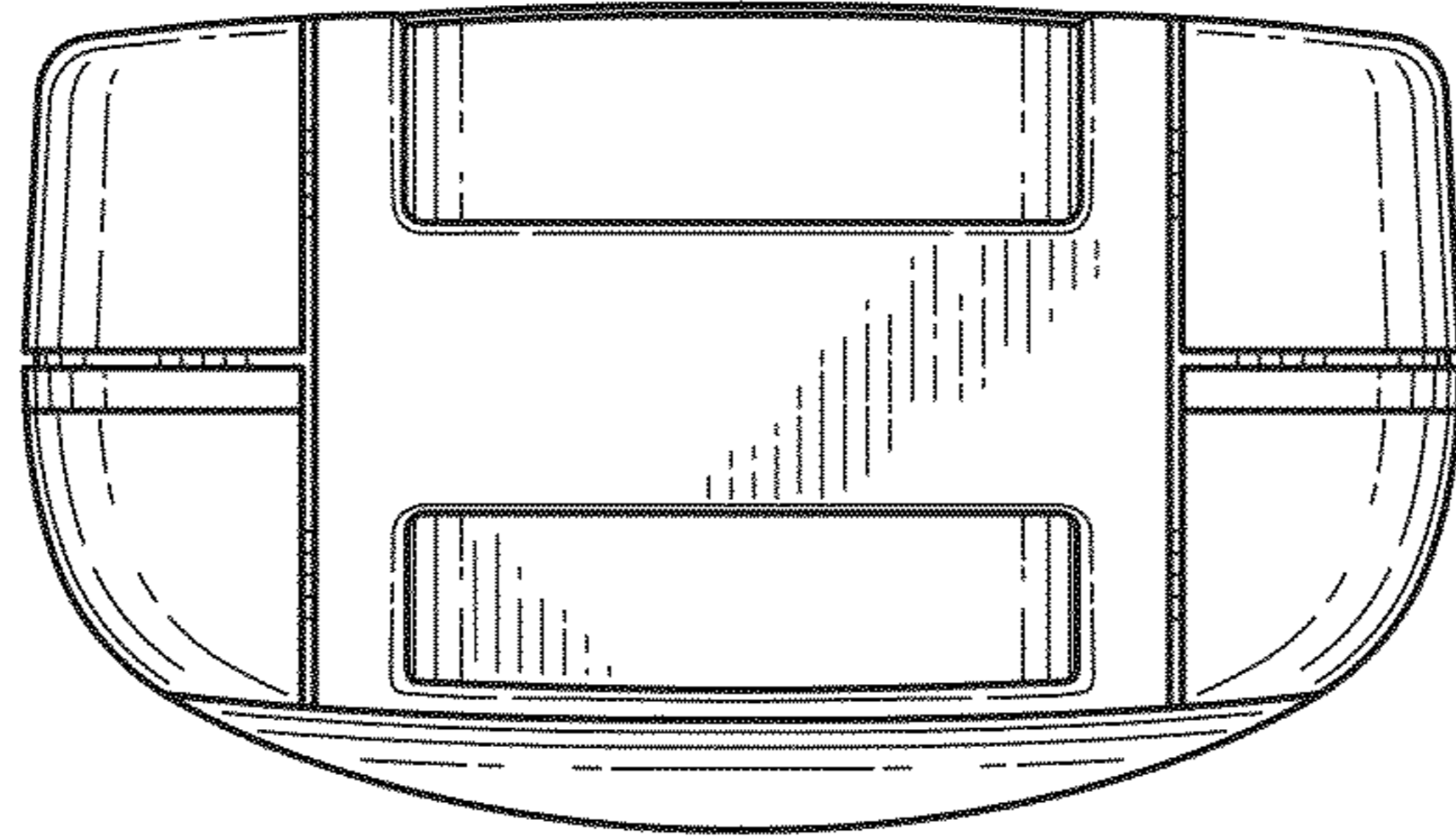


FIG. 55

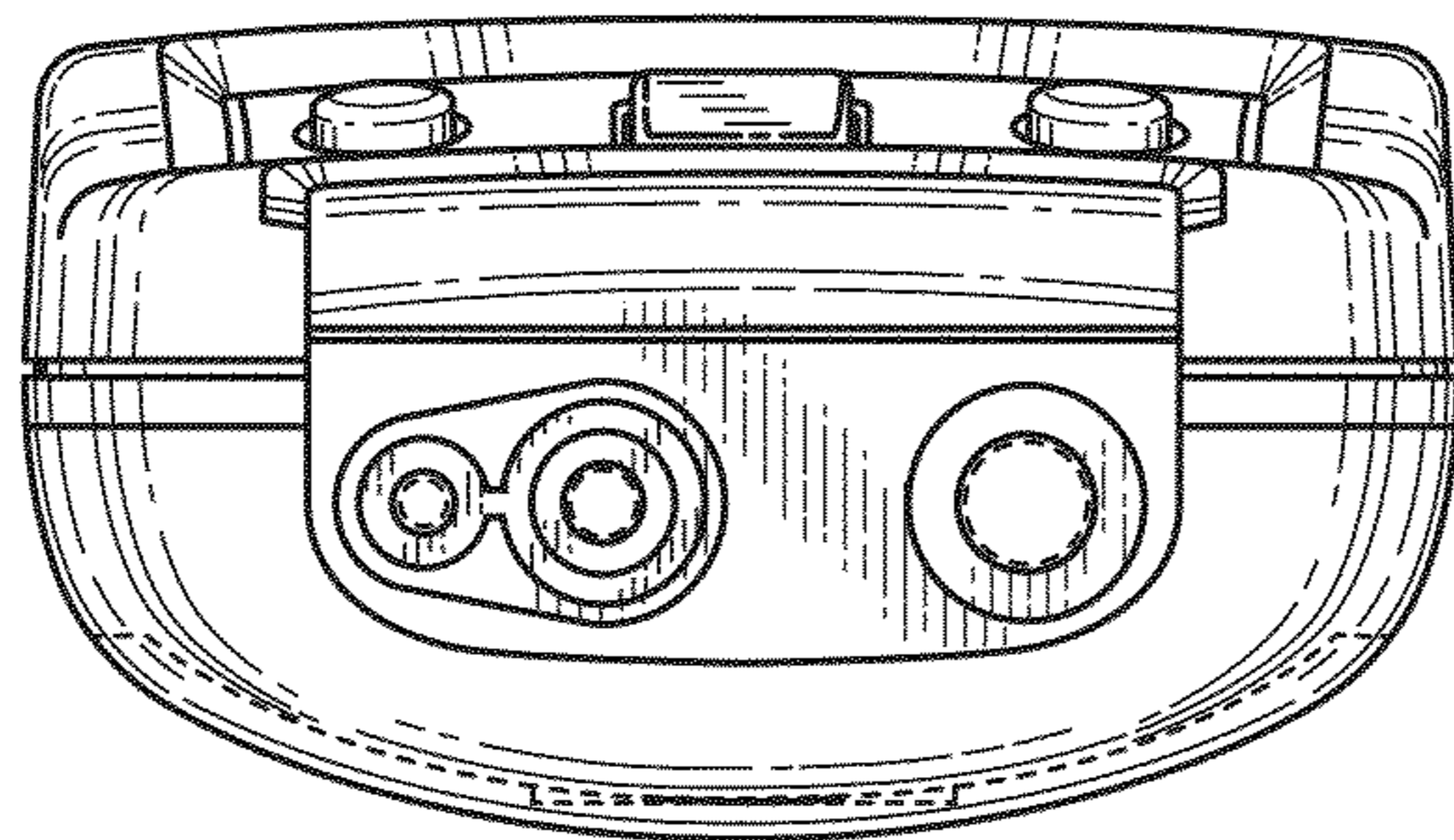


FIG. 56

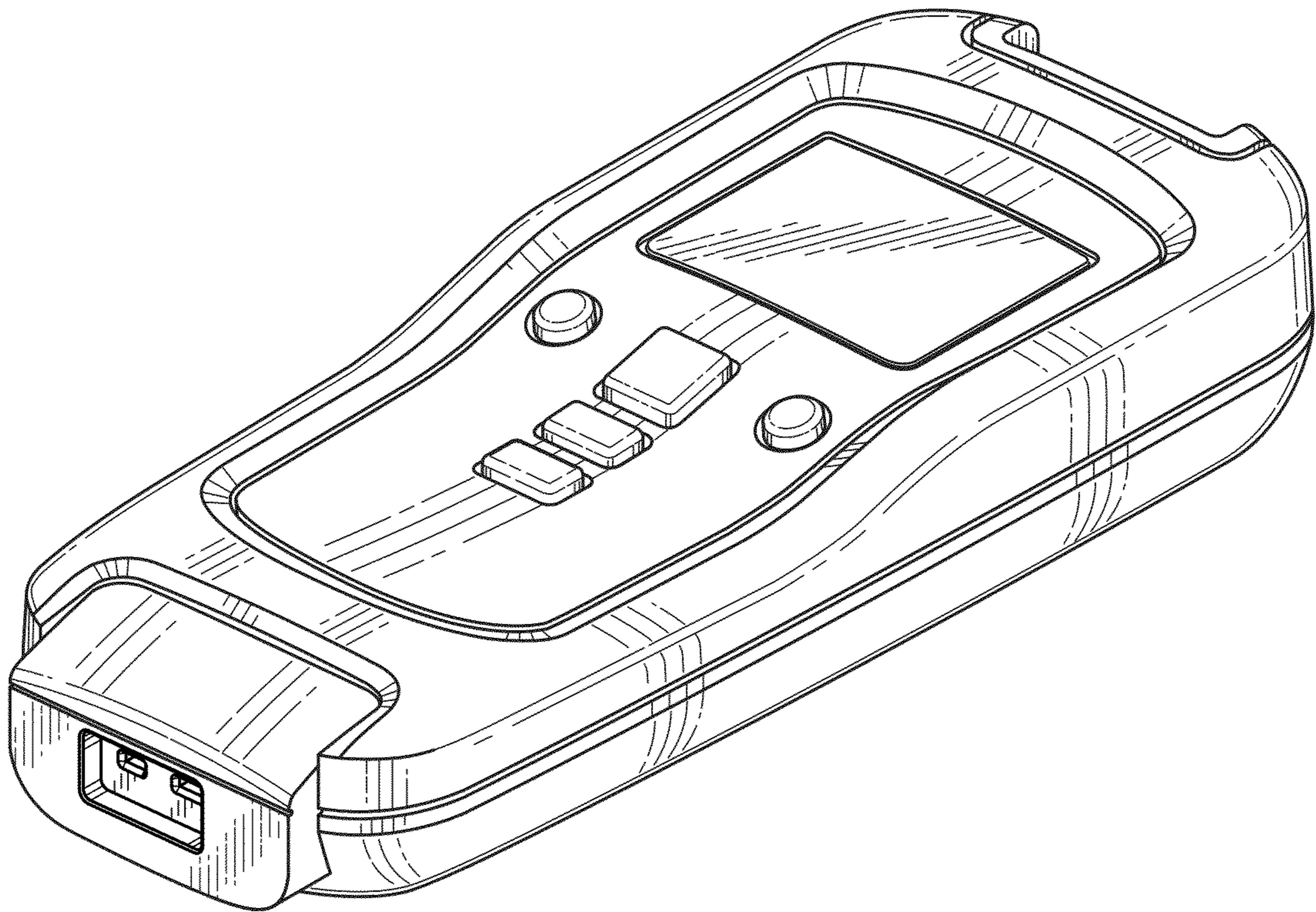


FIG. 57

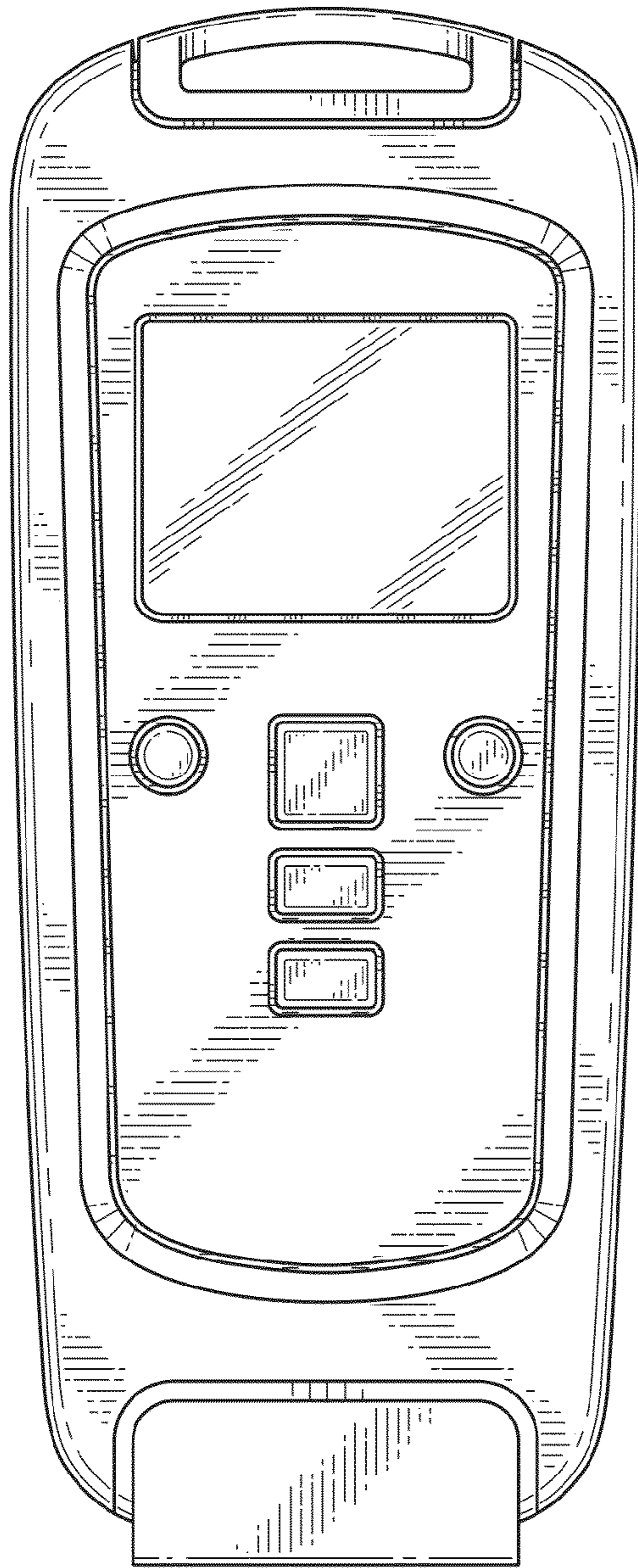


FIG. 58

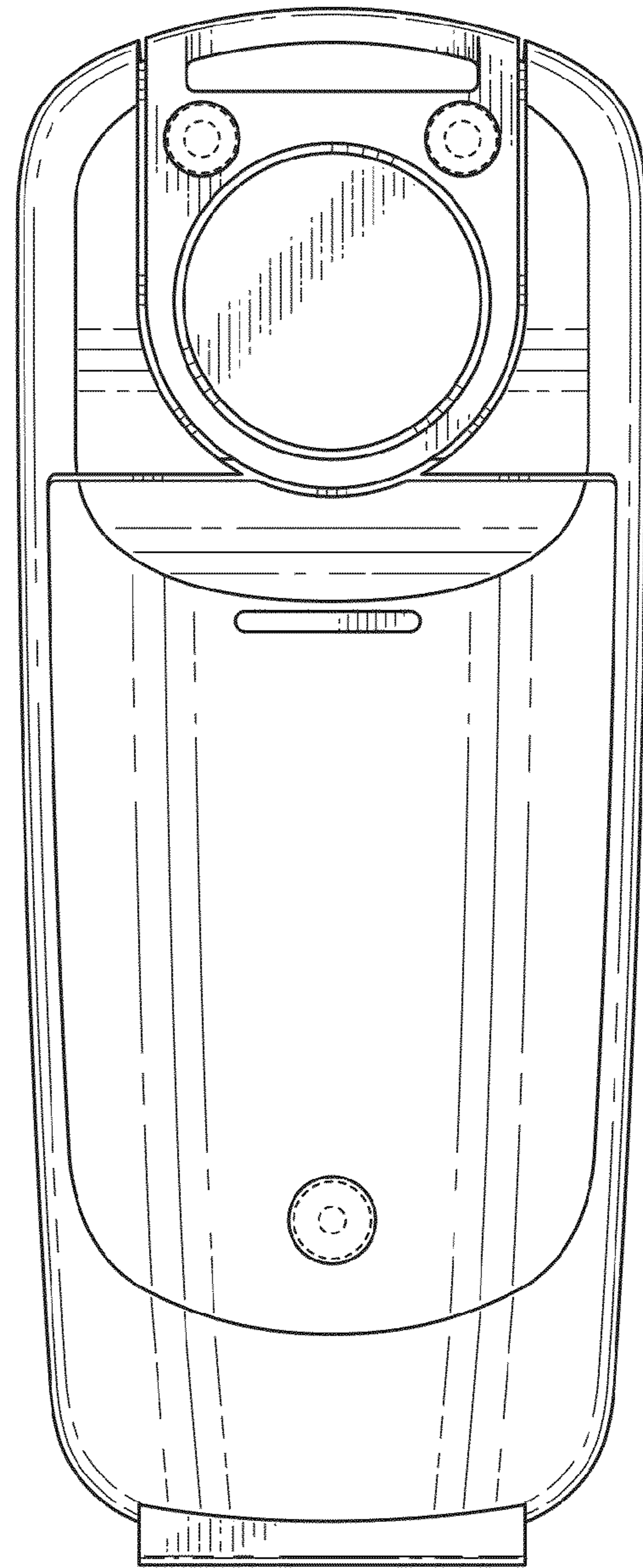


FIG. 59

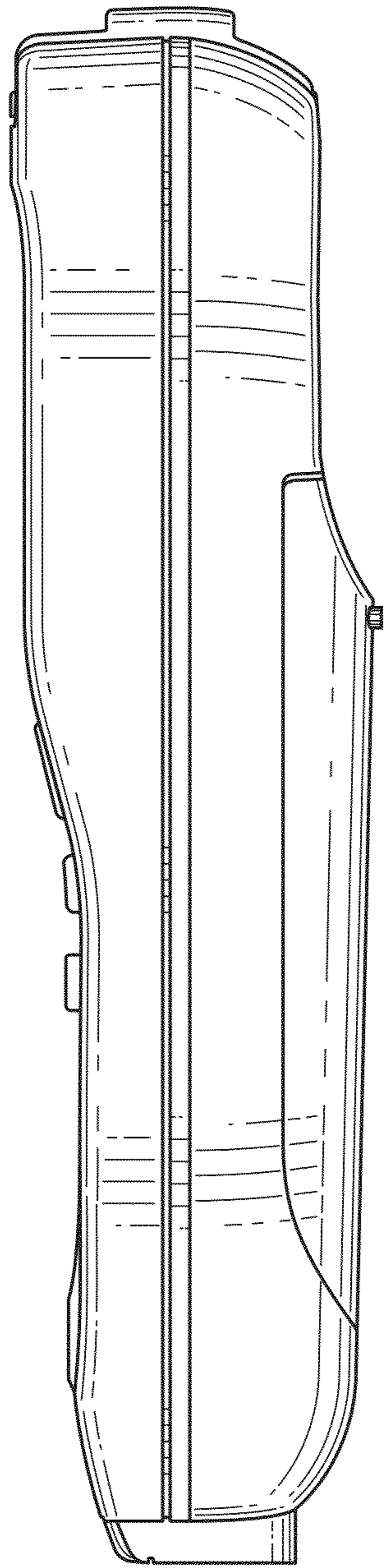


FIG. 60

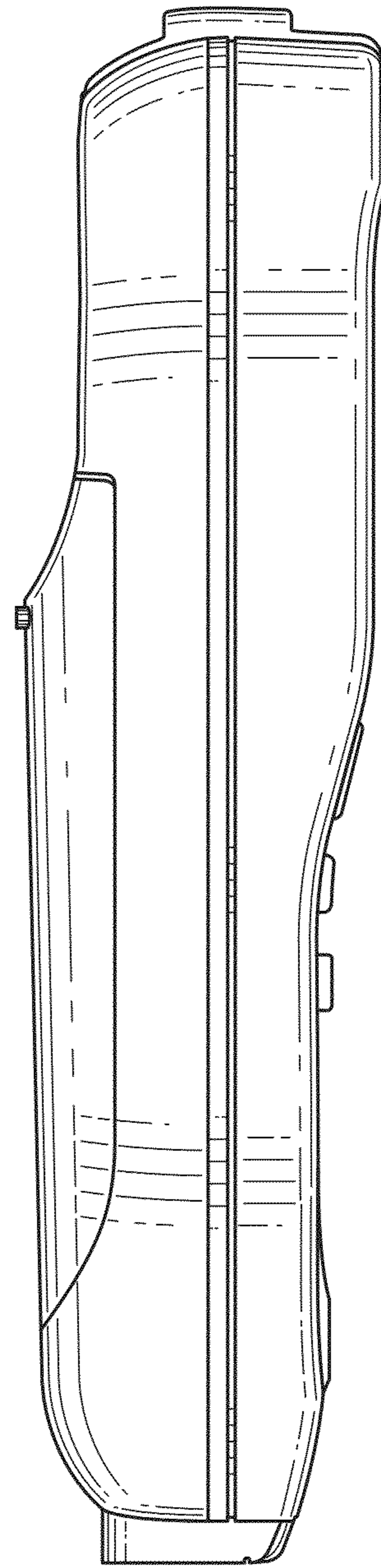


FIG. 61

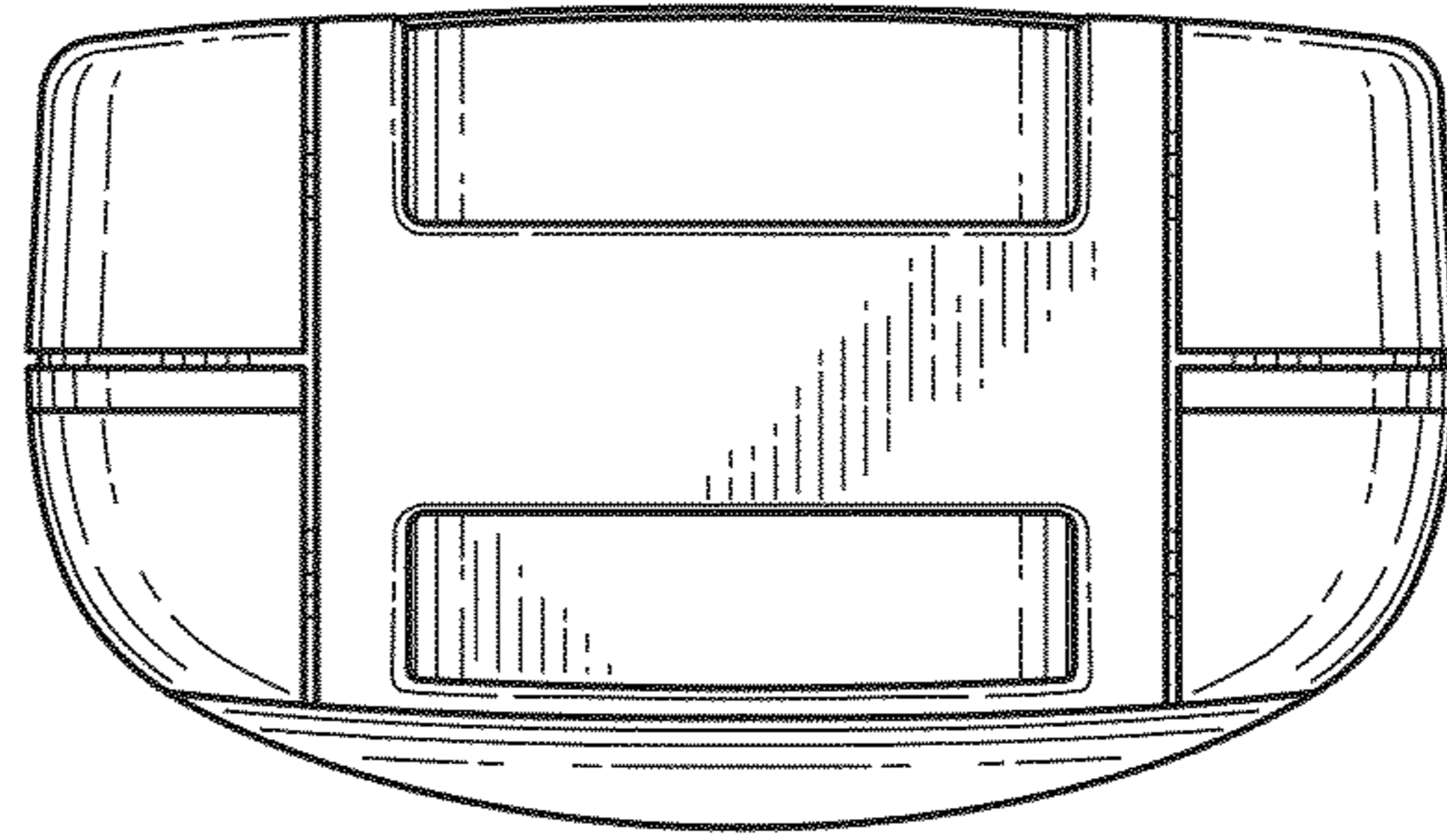


FIG. 62

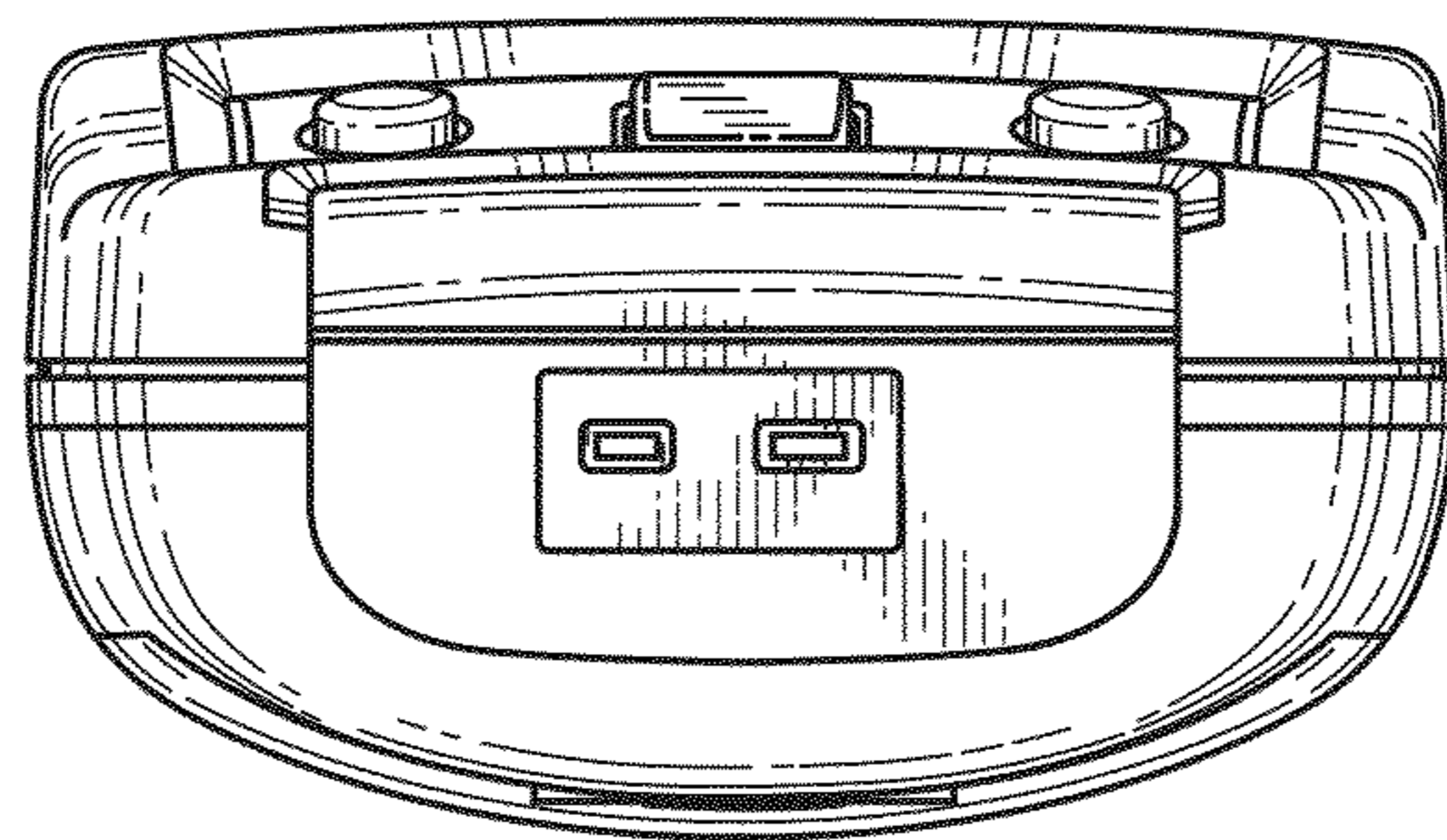


FIG. 63

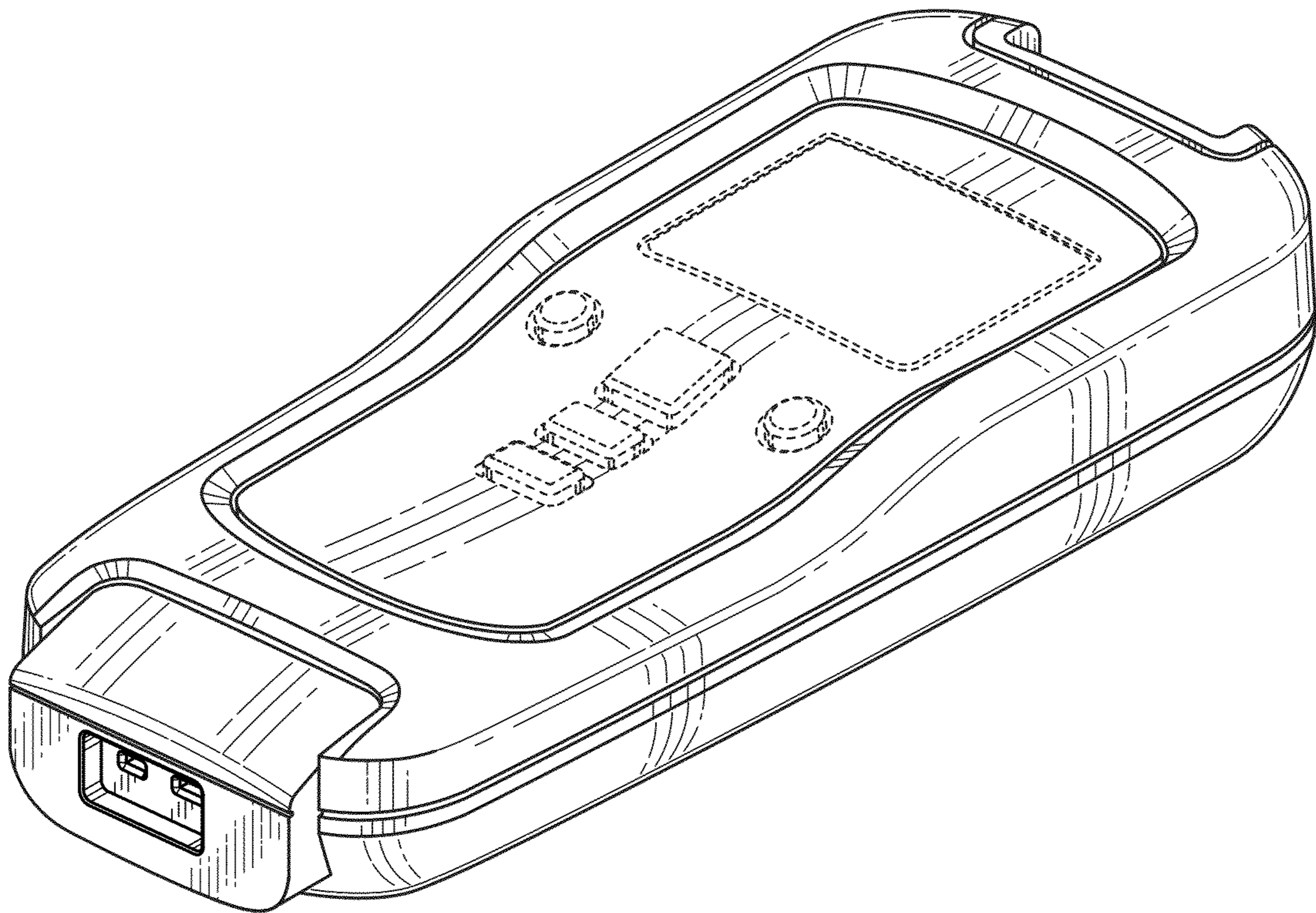


FIG. 64

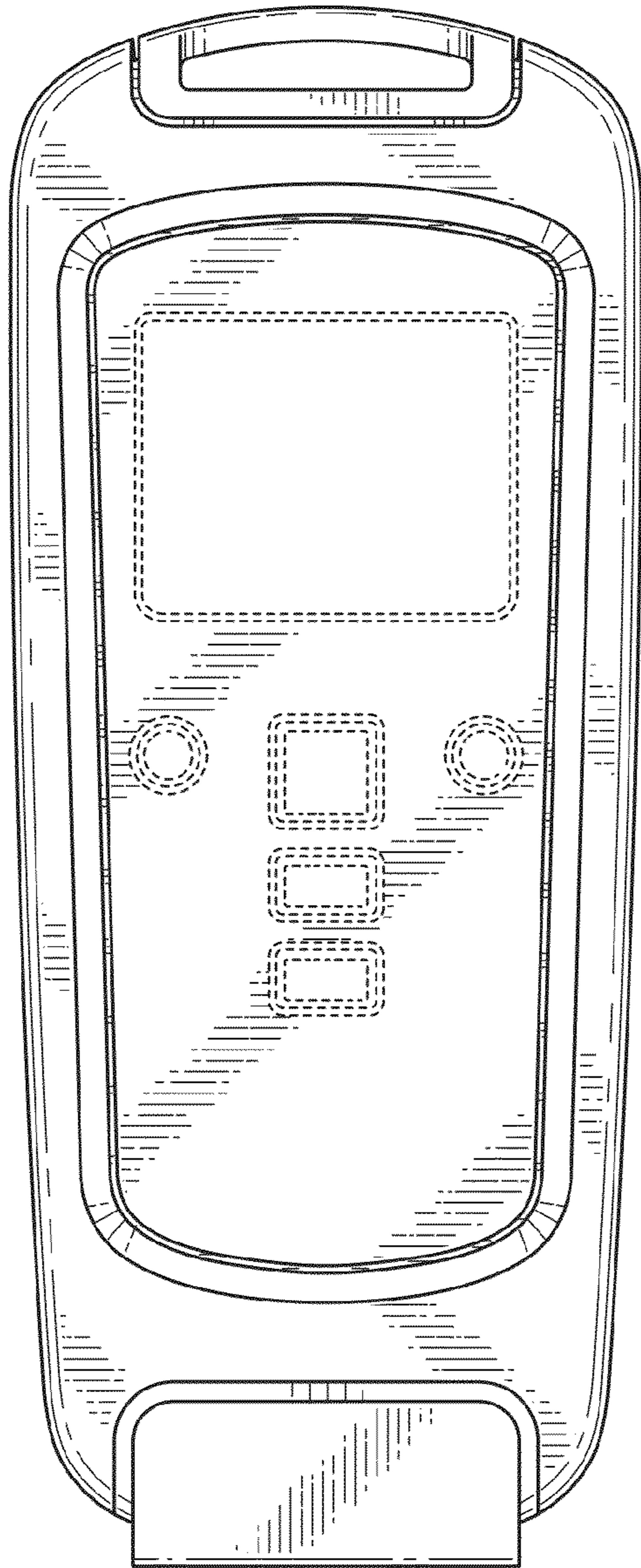


FIG. 65

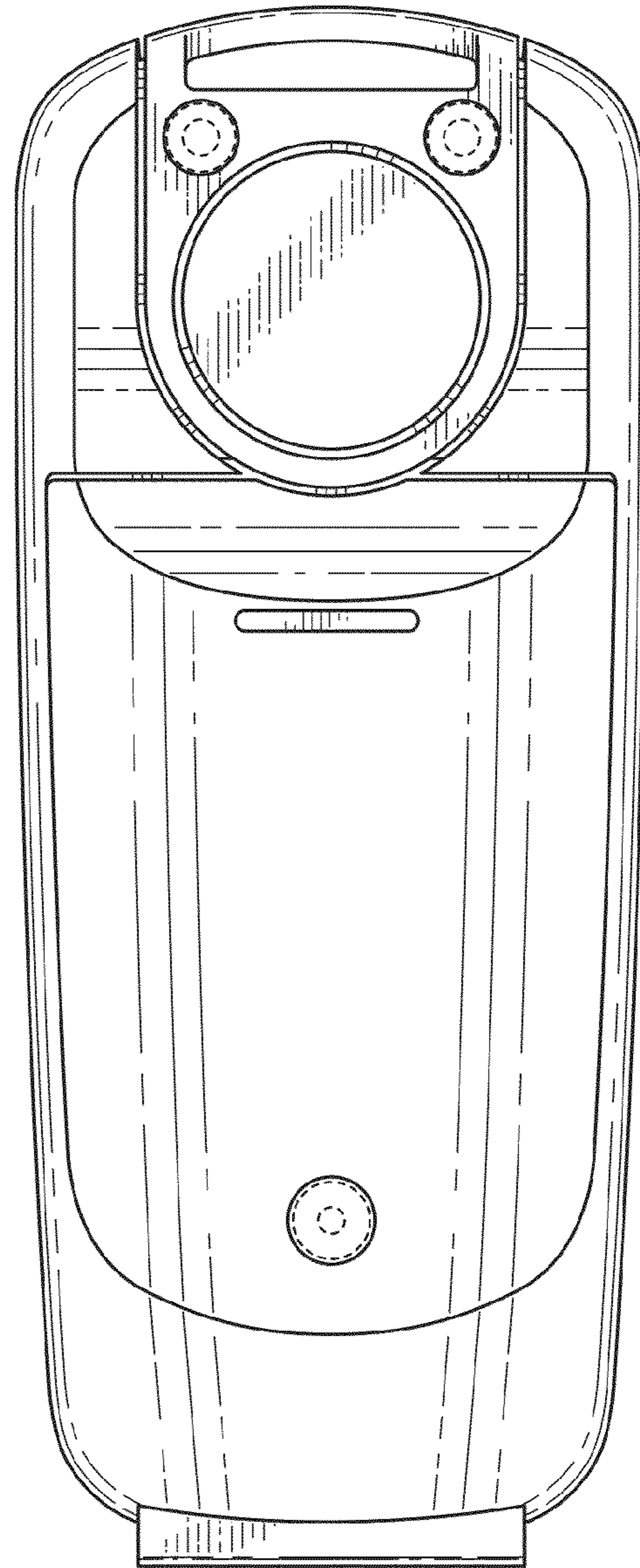


FIG. 66

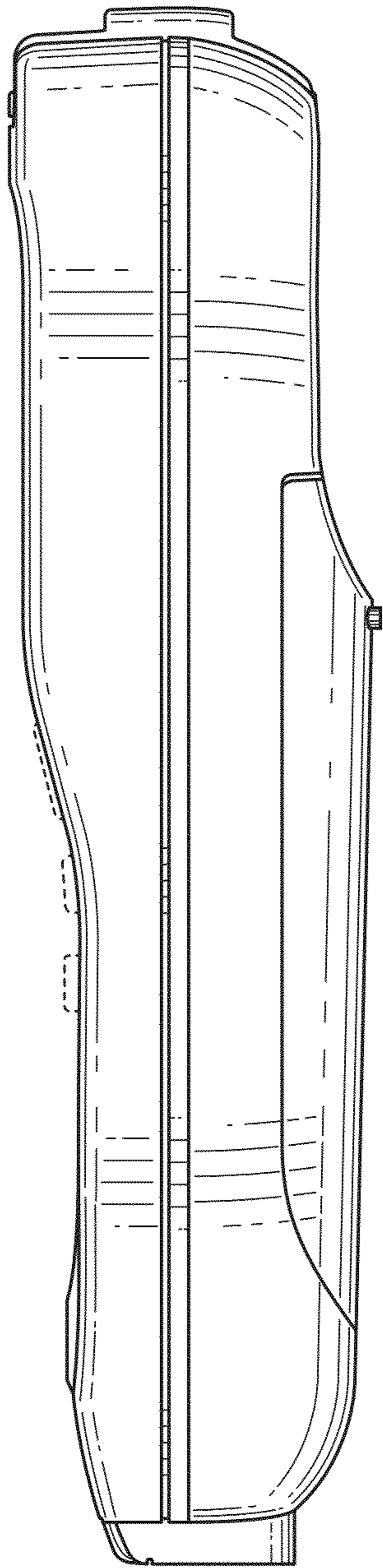


FIG. 67

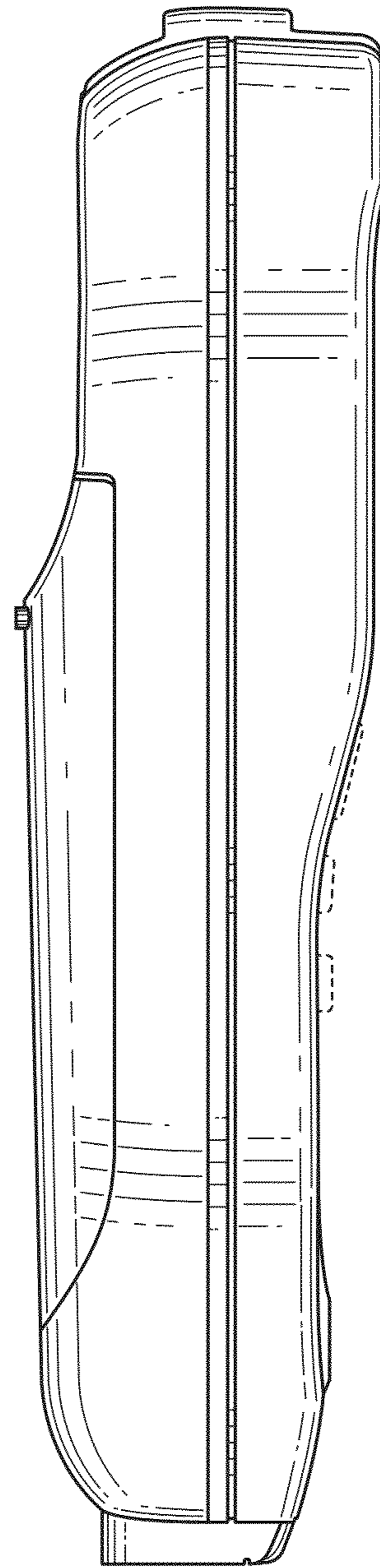


FIG. 68

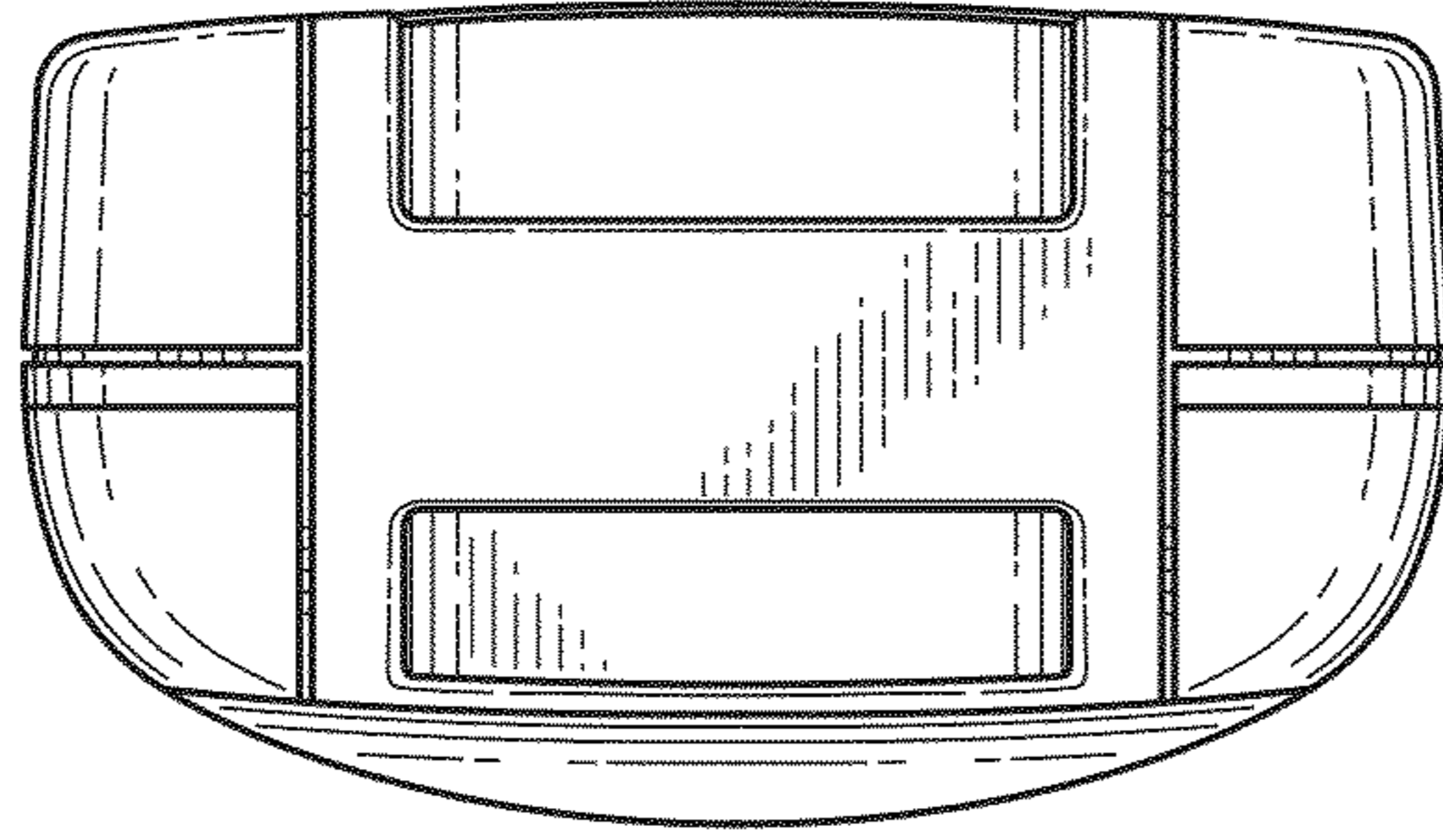


FIG. 69

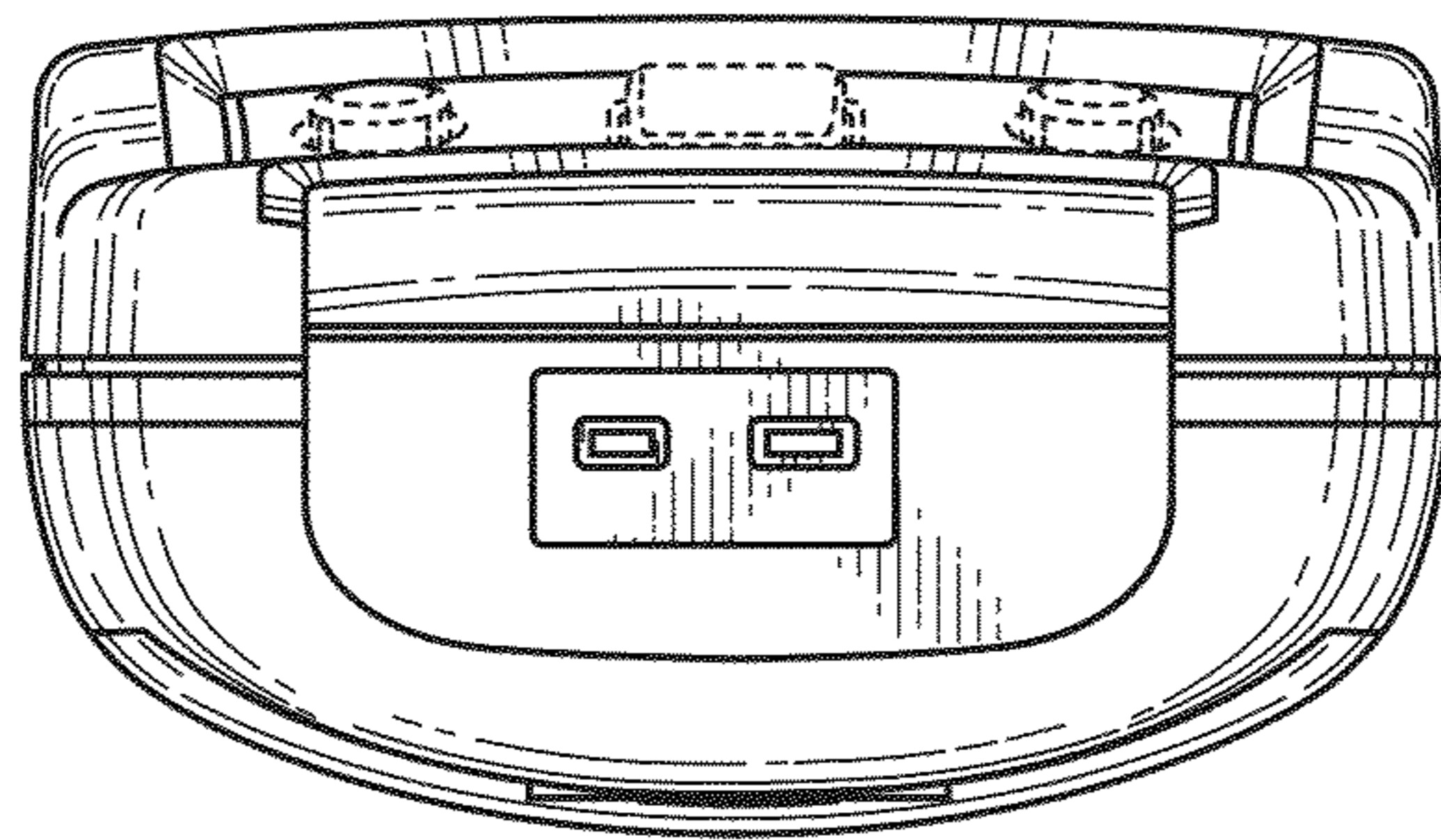


FIG. 70

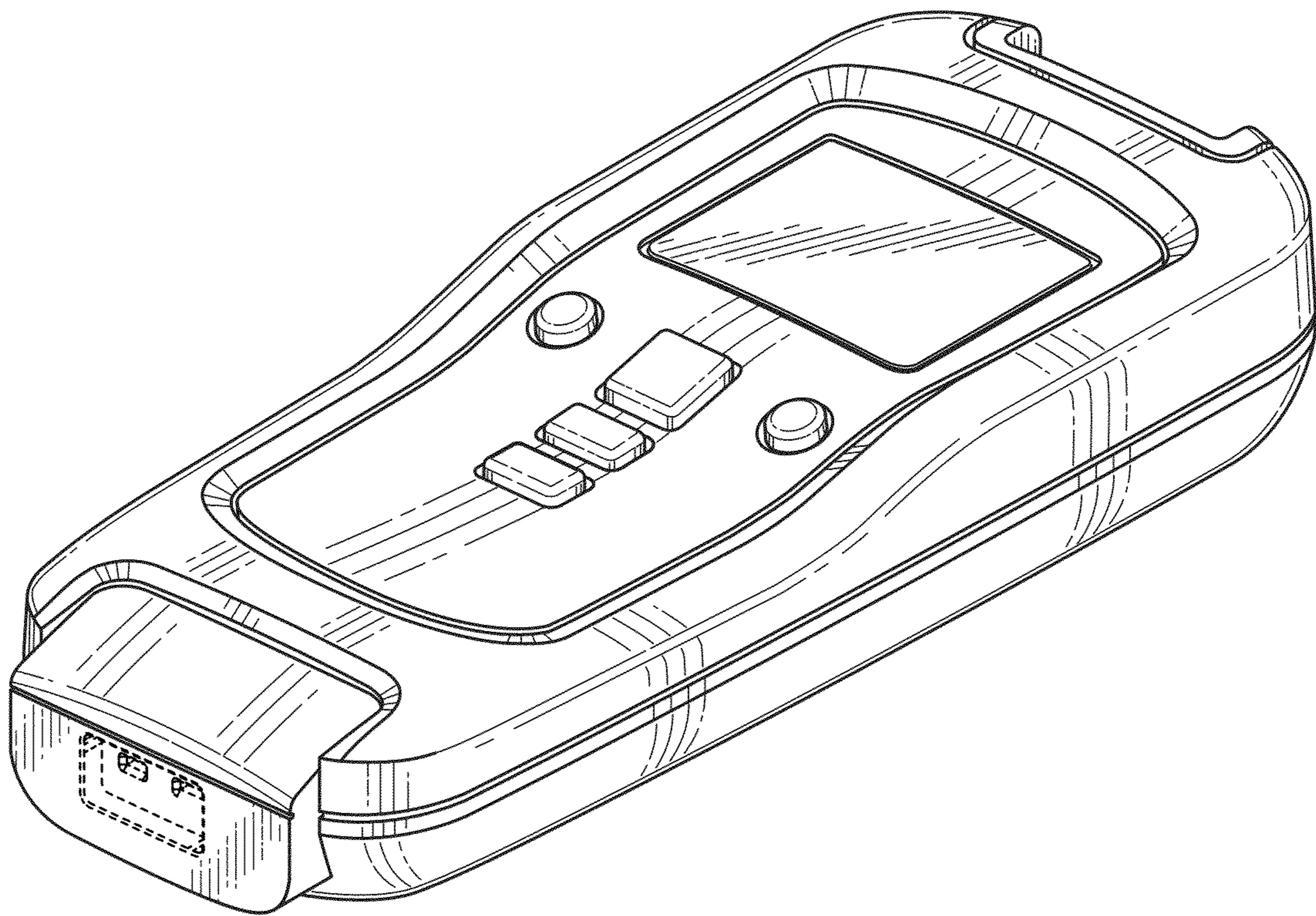


FIG. 71

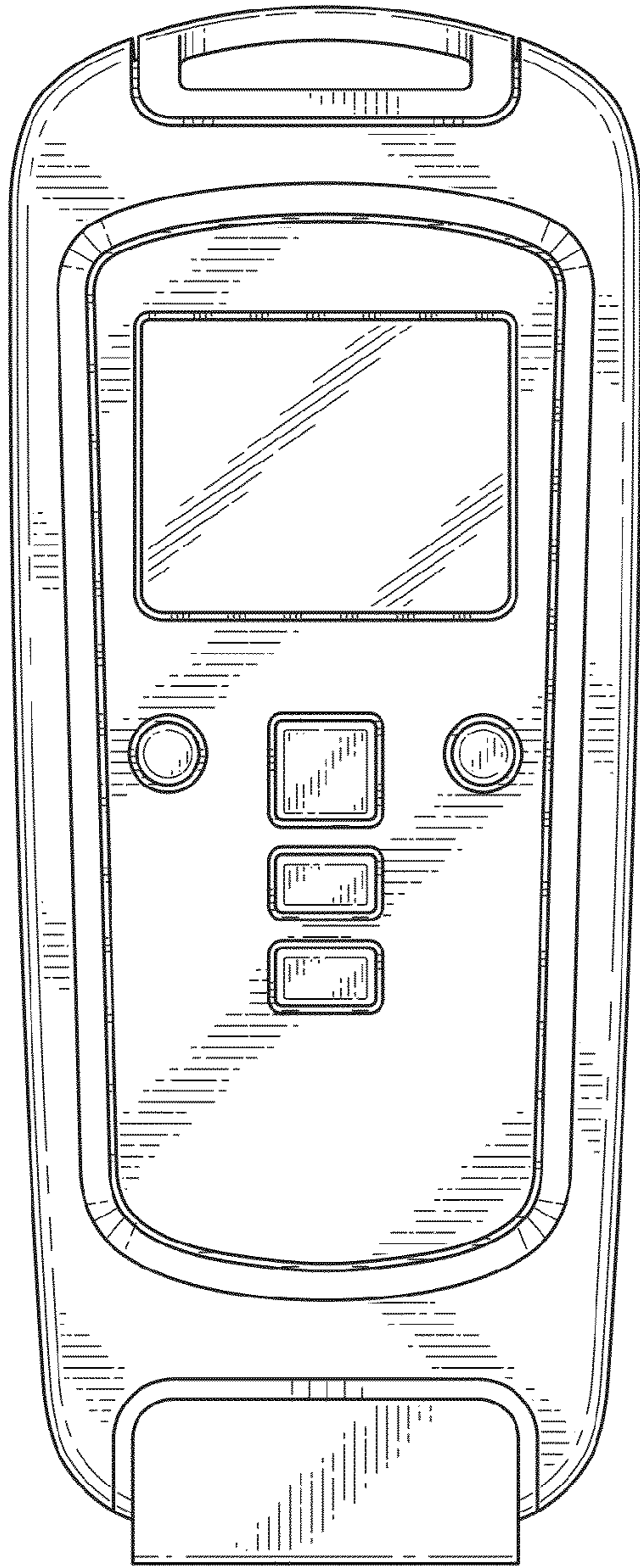


FIG. 72

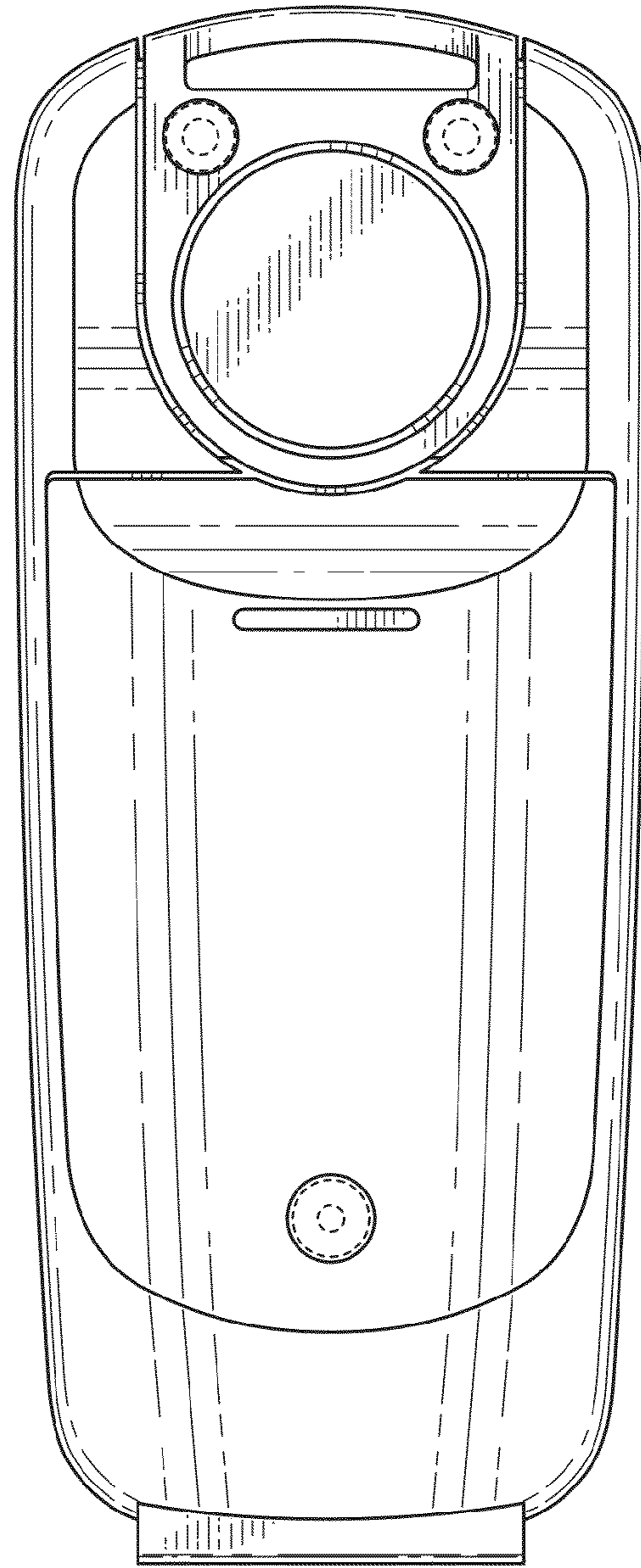


FIG. 73

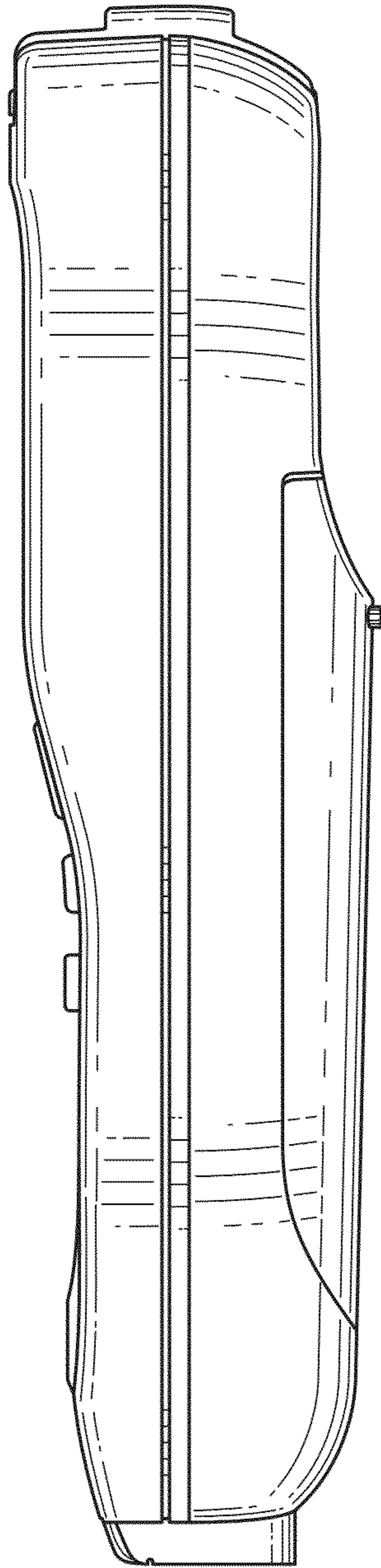


FIG. 74

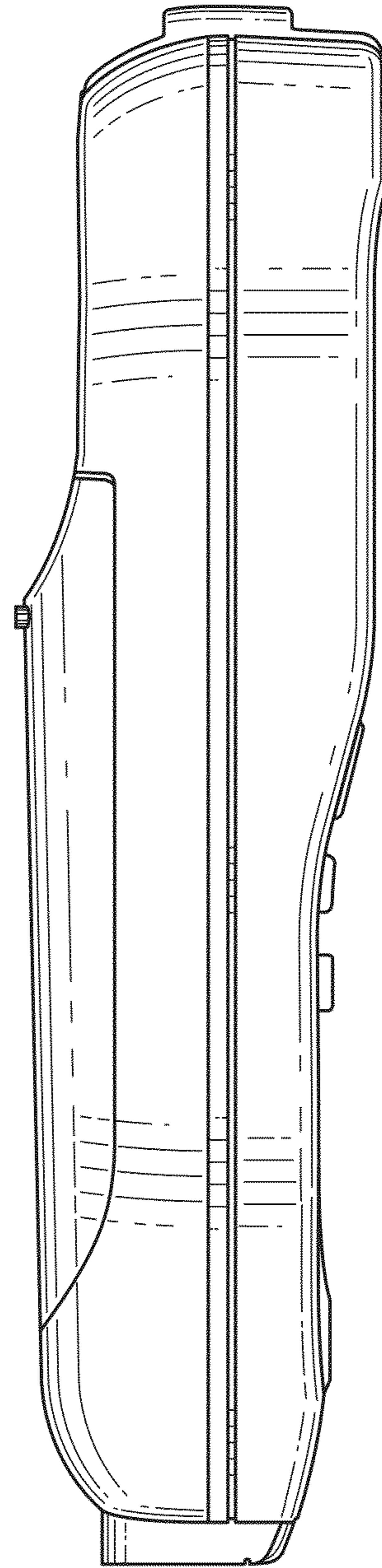


FIG. 75

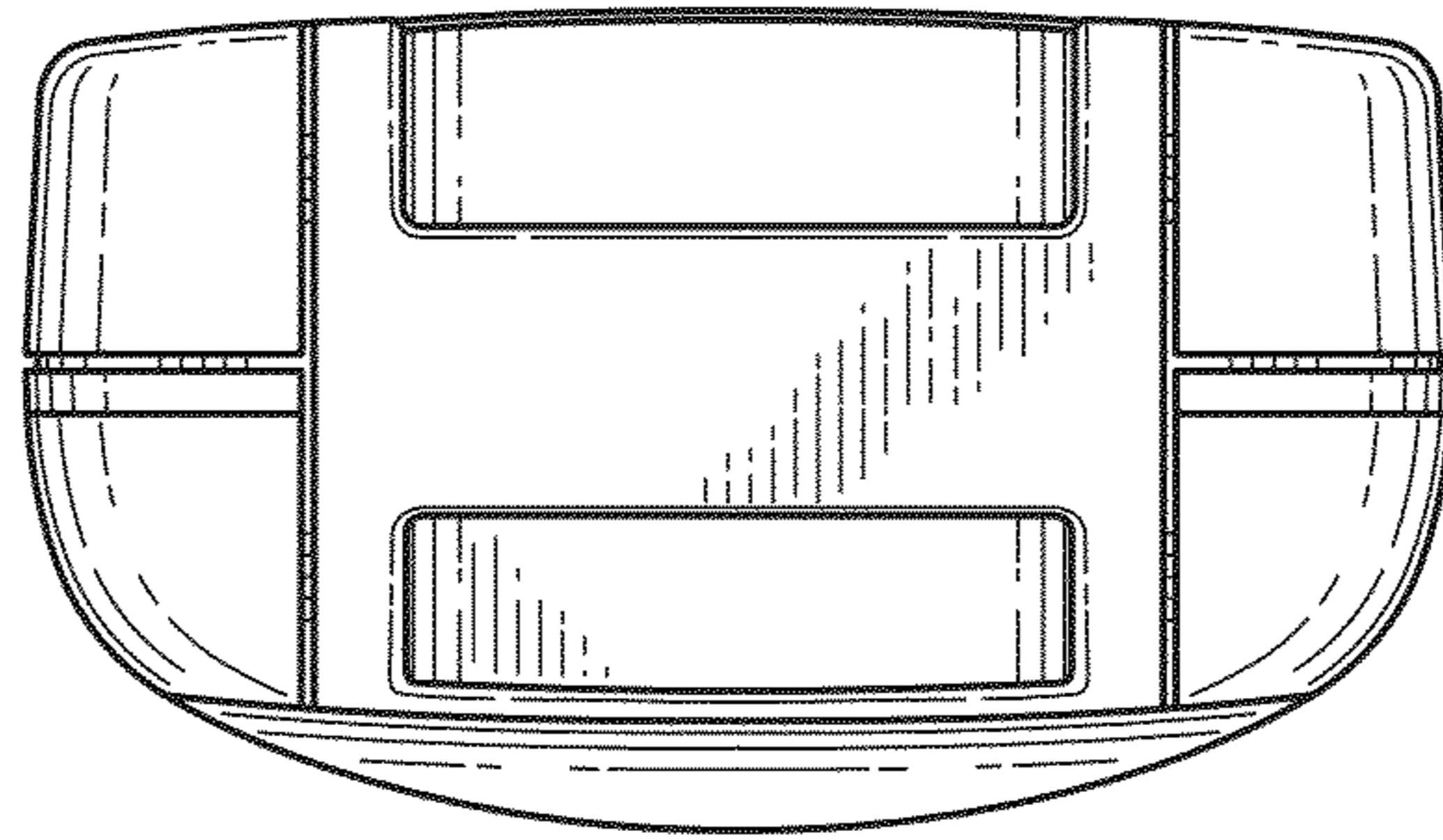


FIG. 76

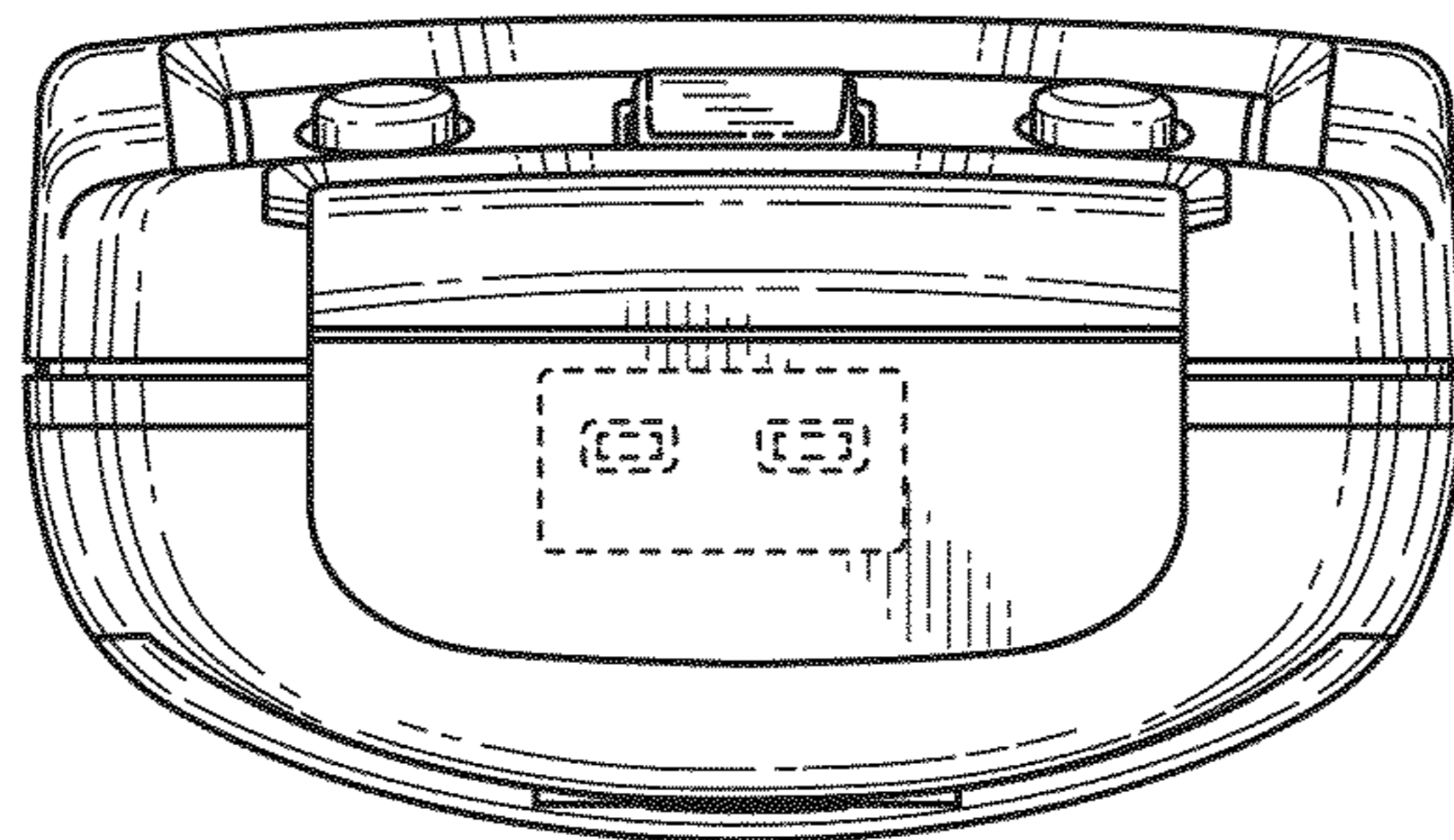


FIG. 77

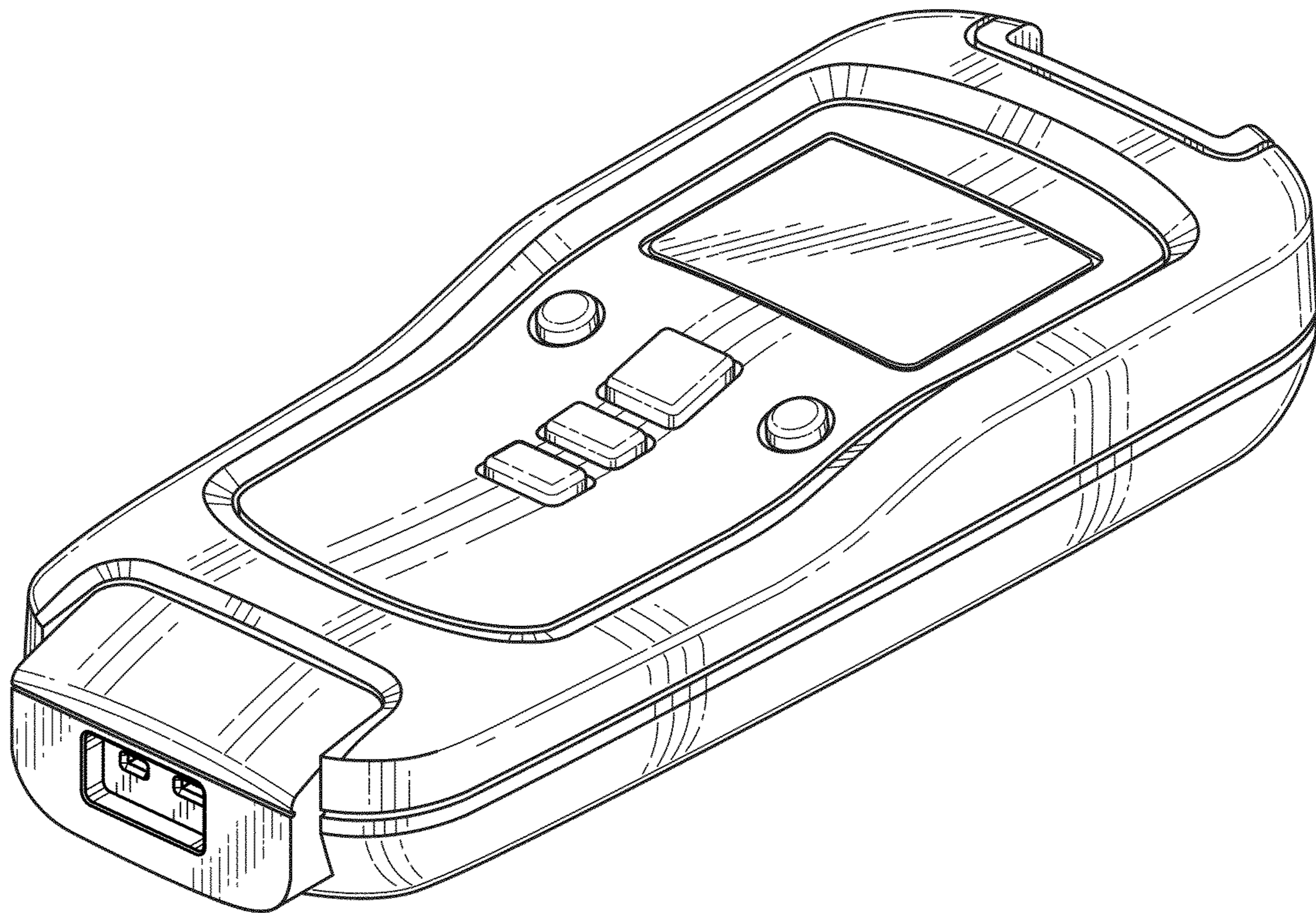


FIG. 78

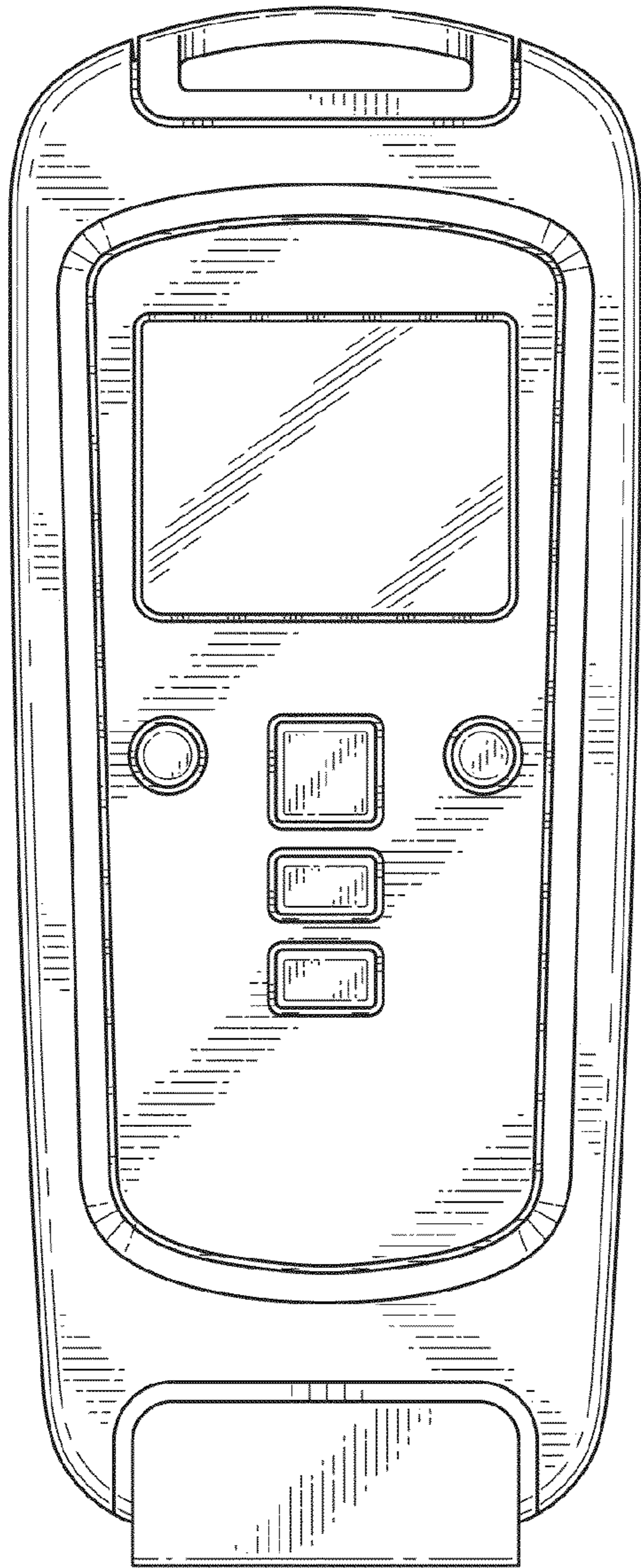


FIG. 79

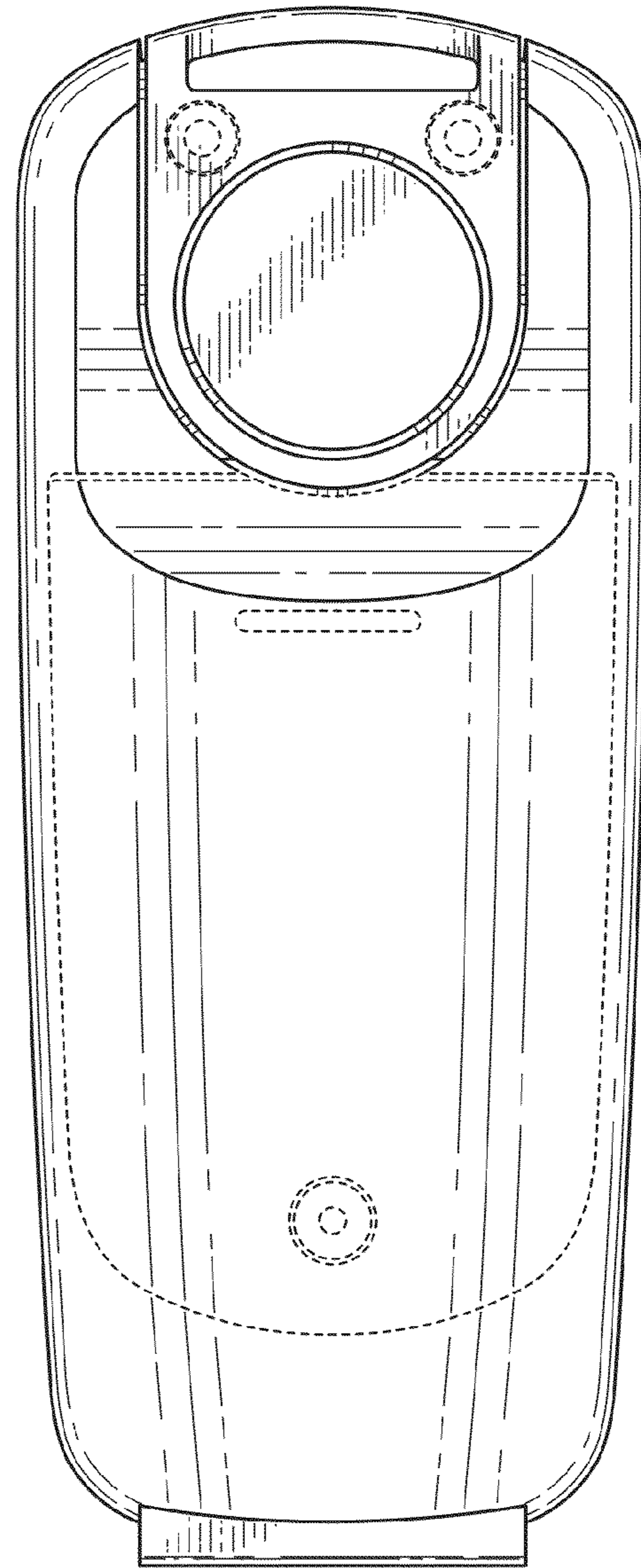


FIG. 80

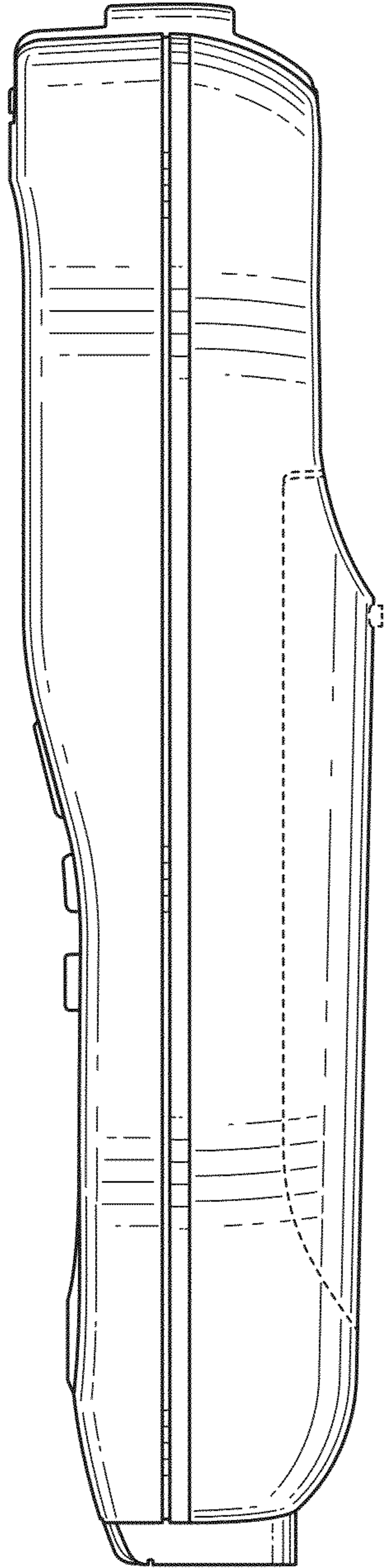


FIG. 81

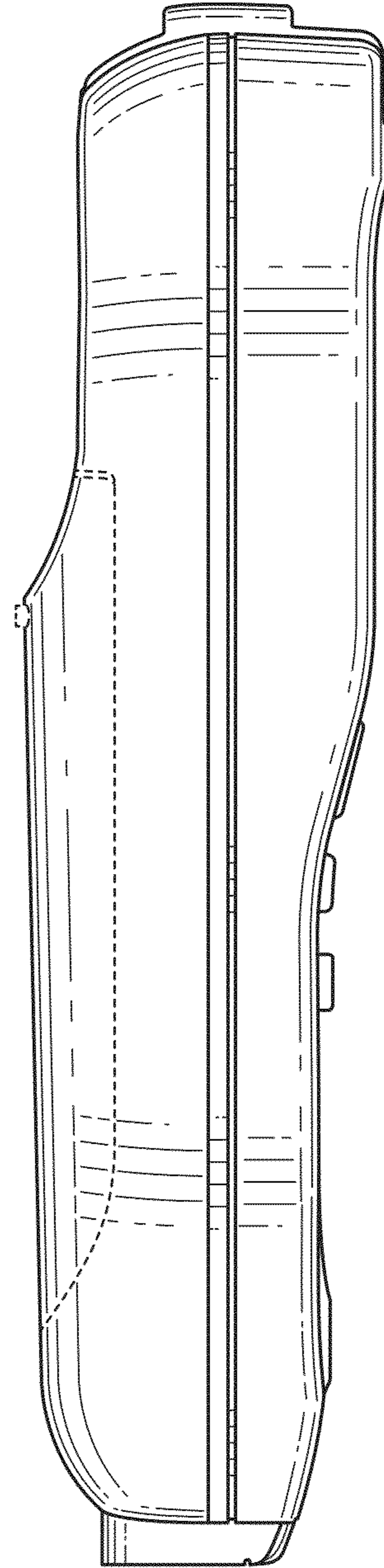


FIG. 82

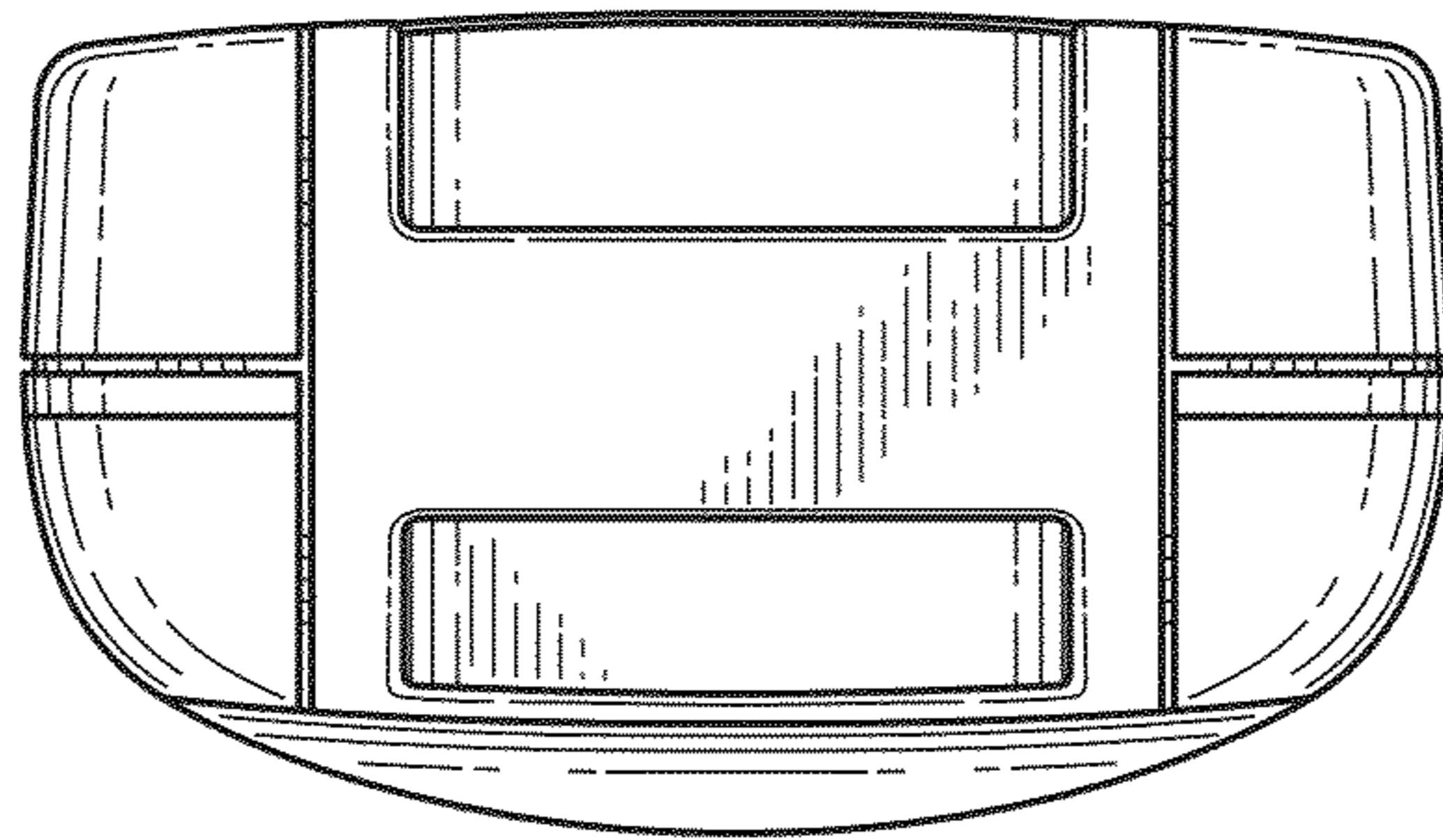


FIG. 83

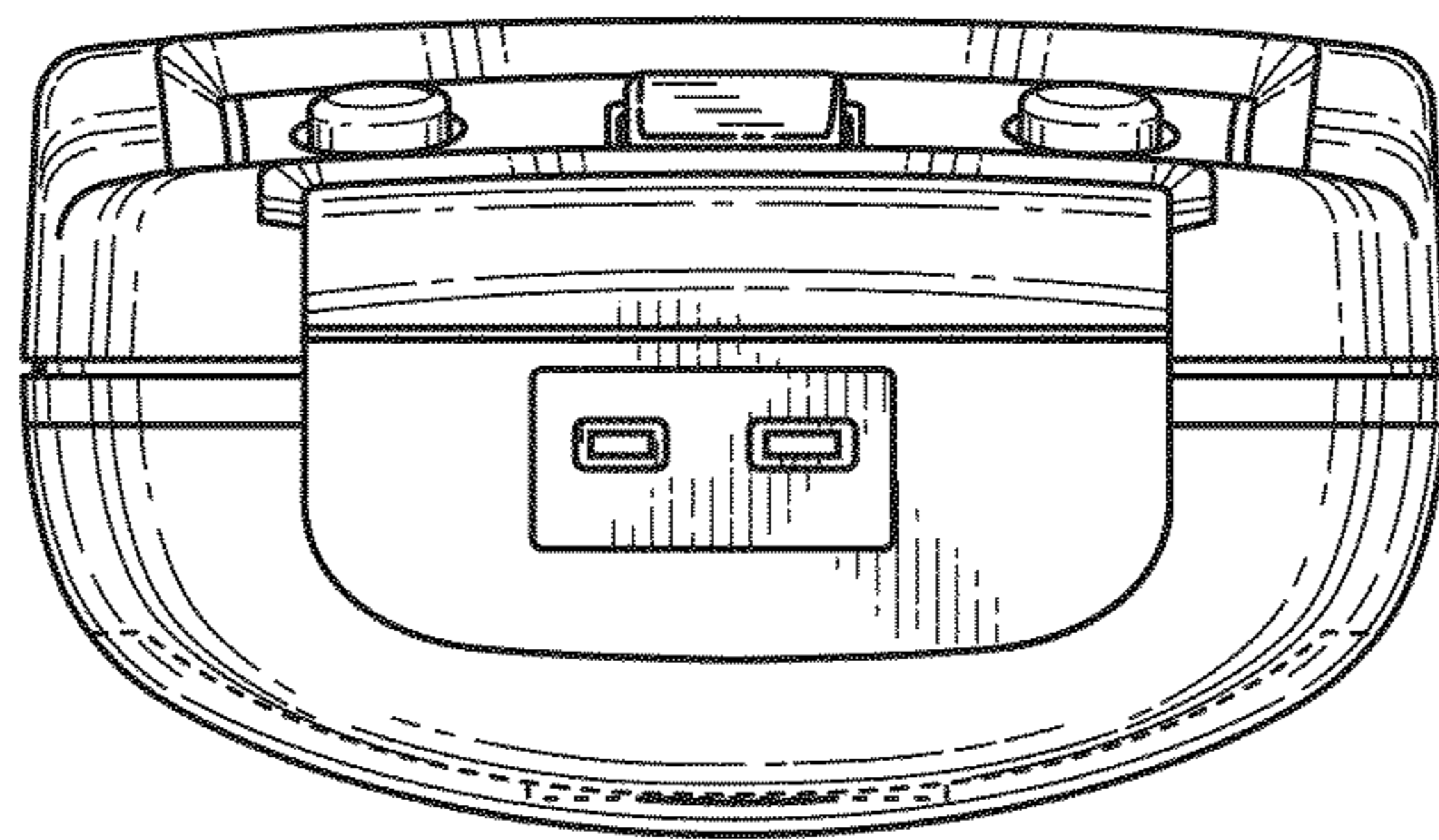


FIG. 84

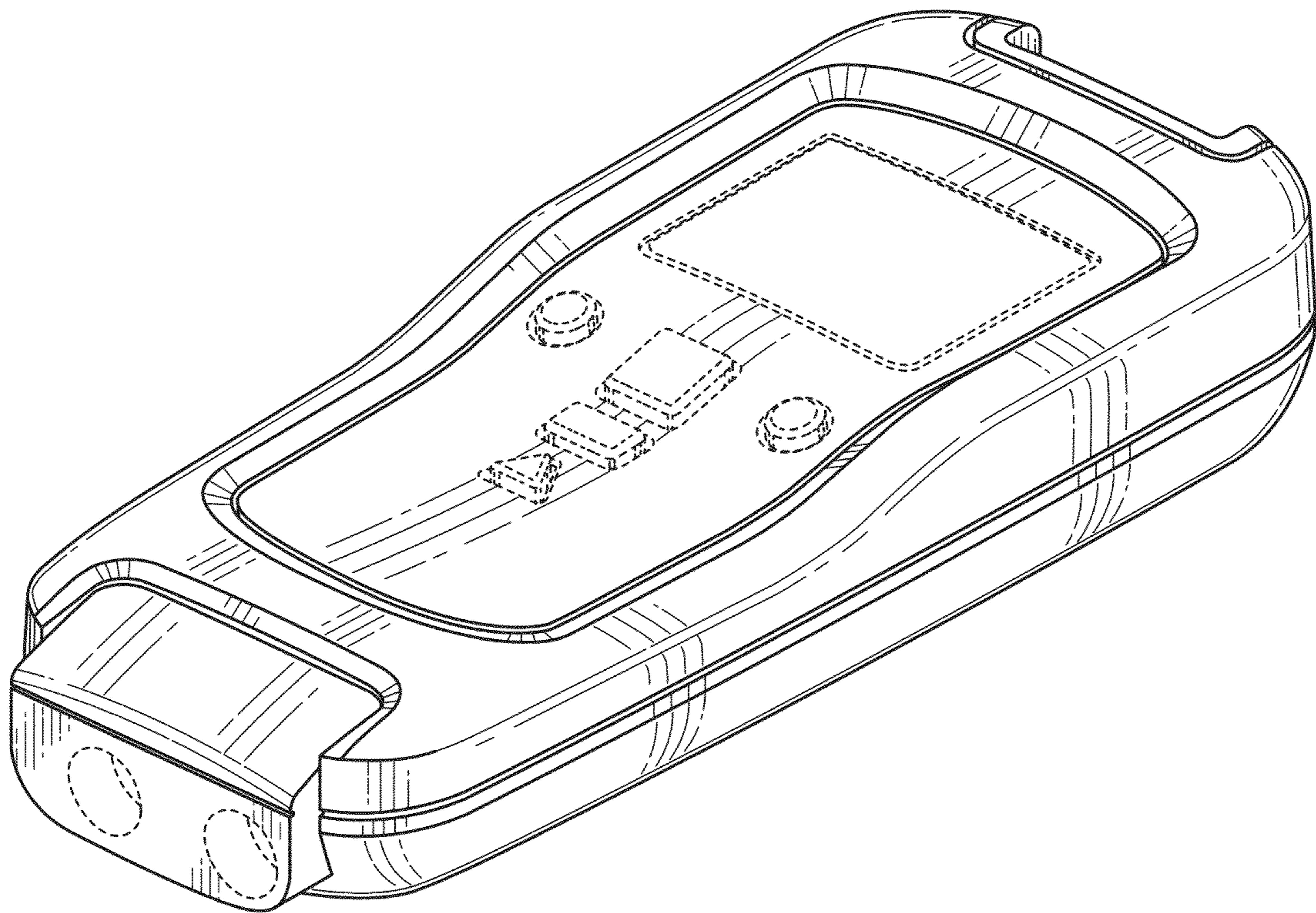


FIG. 85

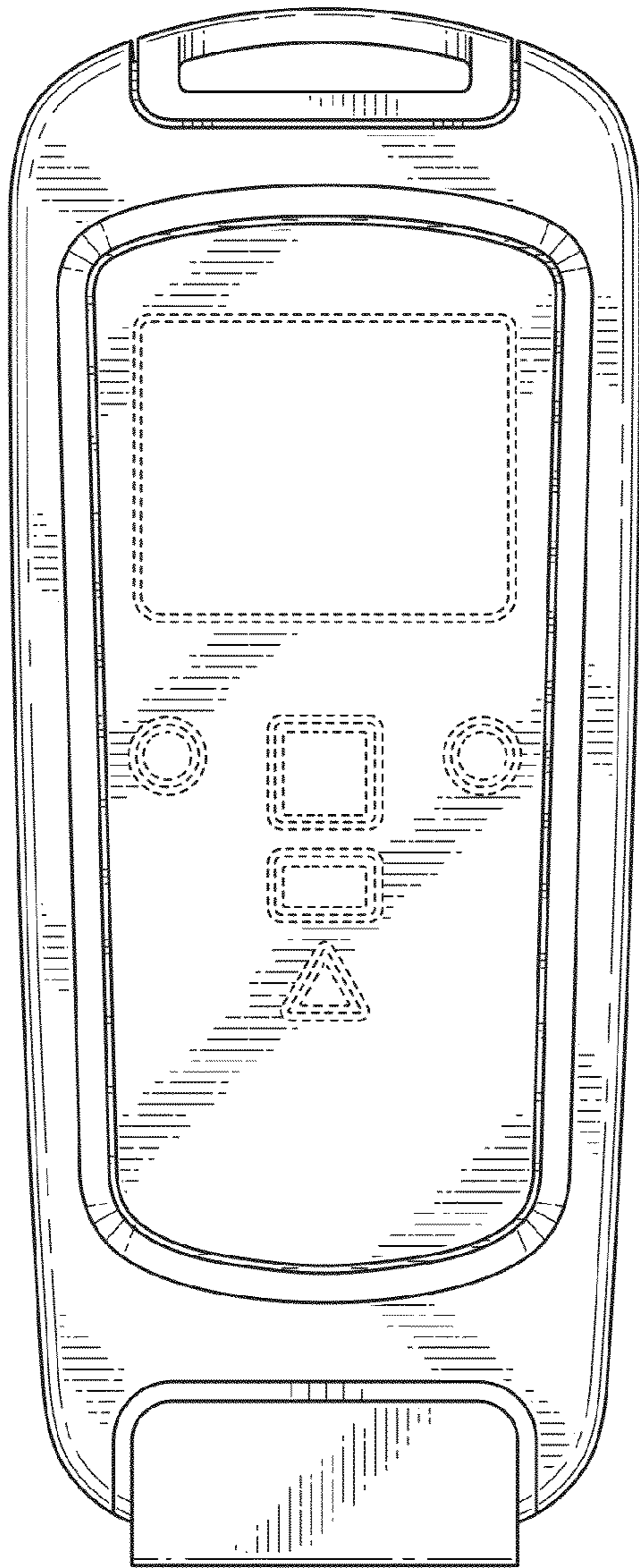


FIG. 86

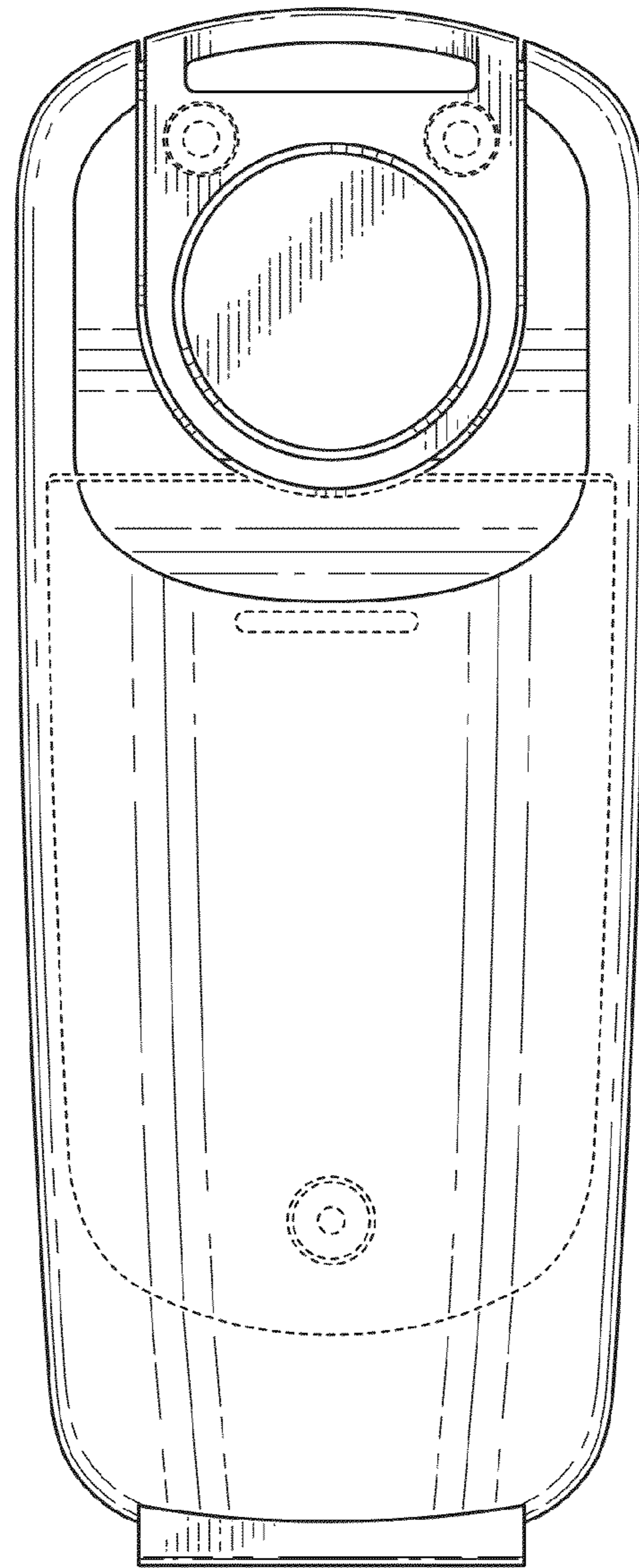


FIG. 87

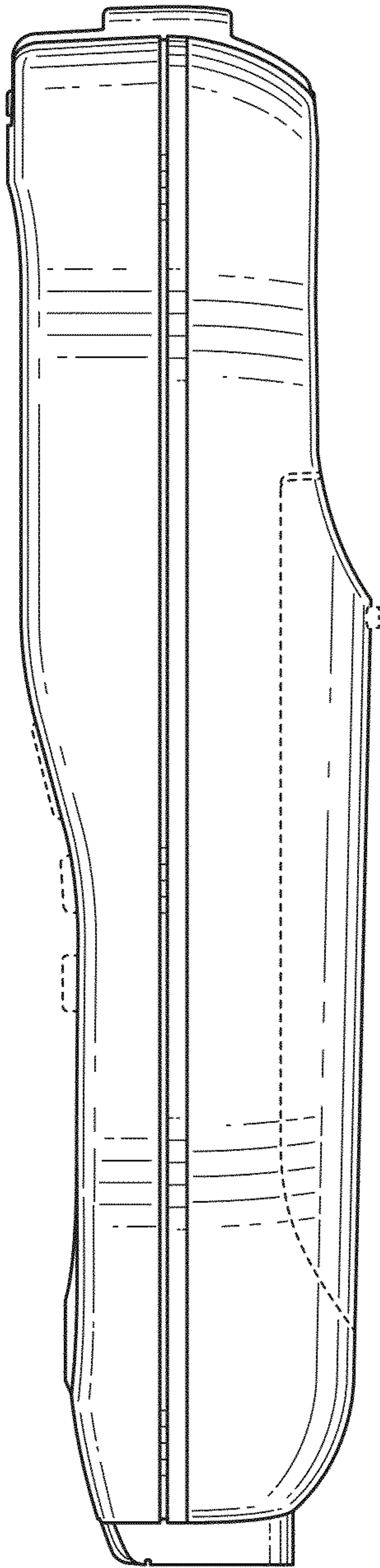


FIG. 88

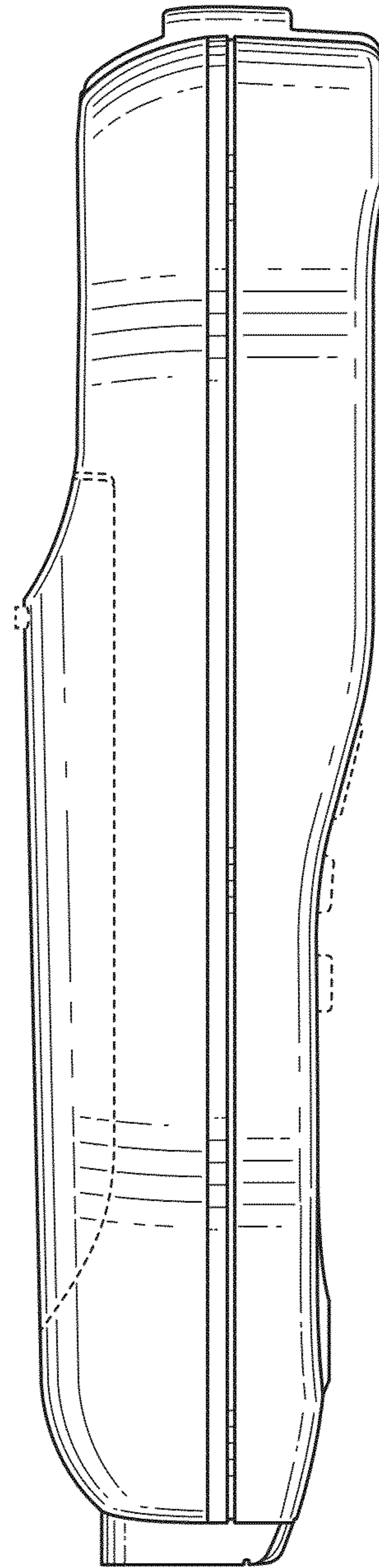


FIG. 89

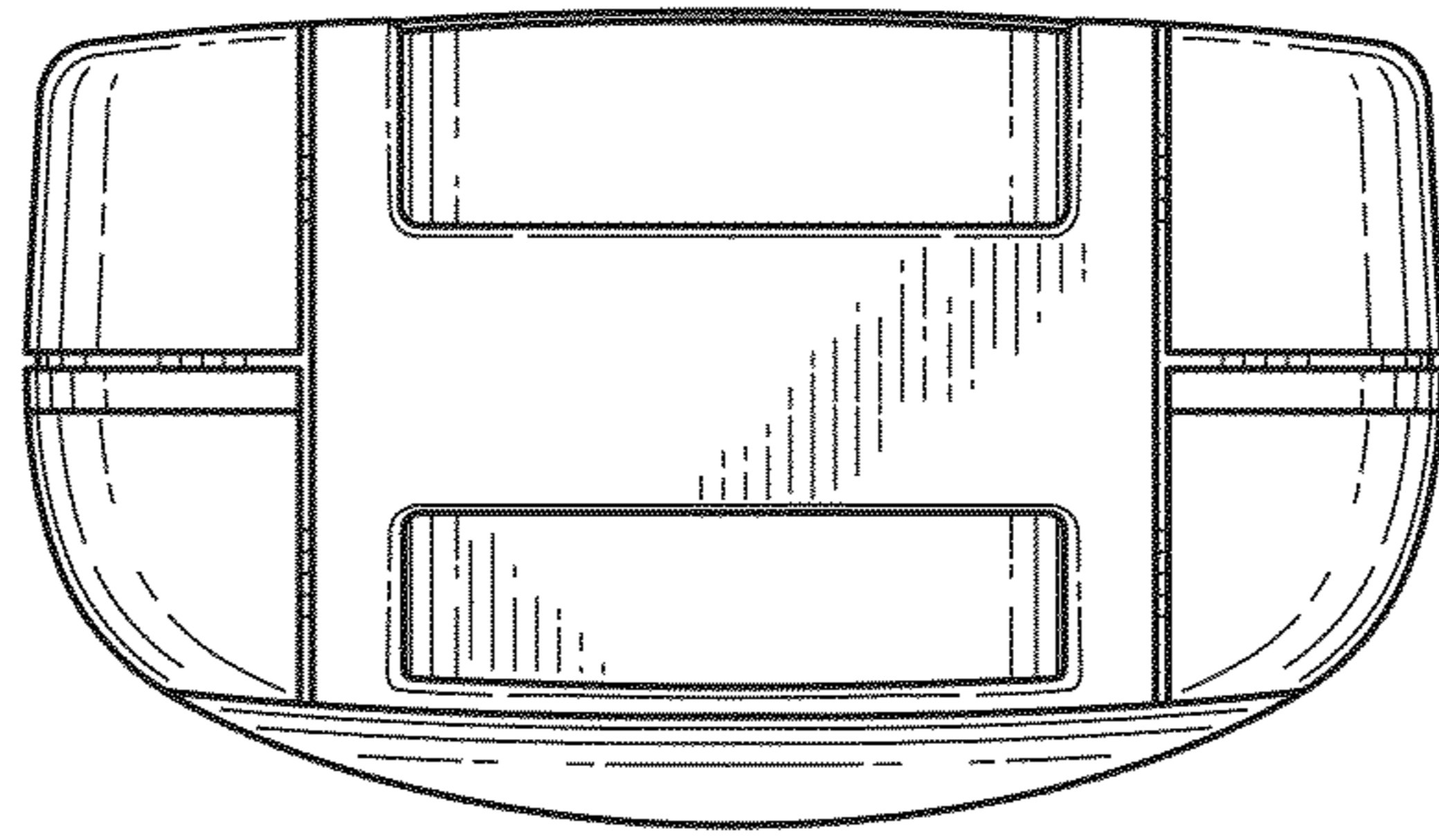


FIG. 90

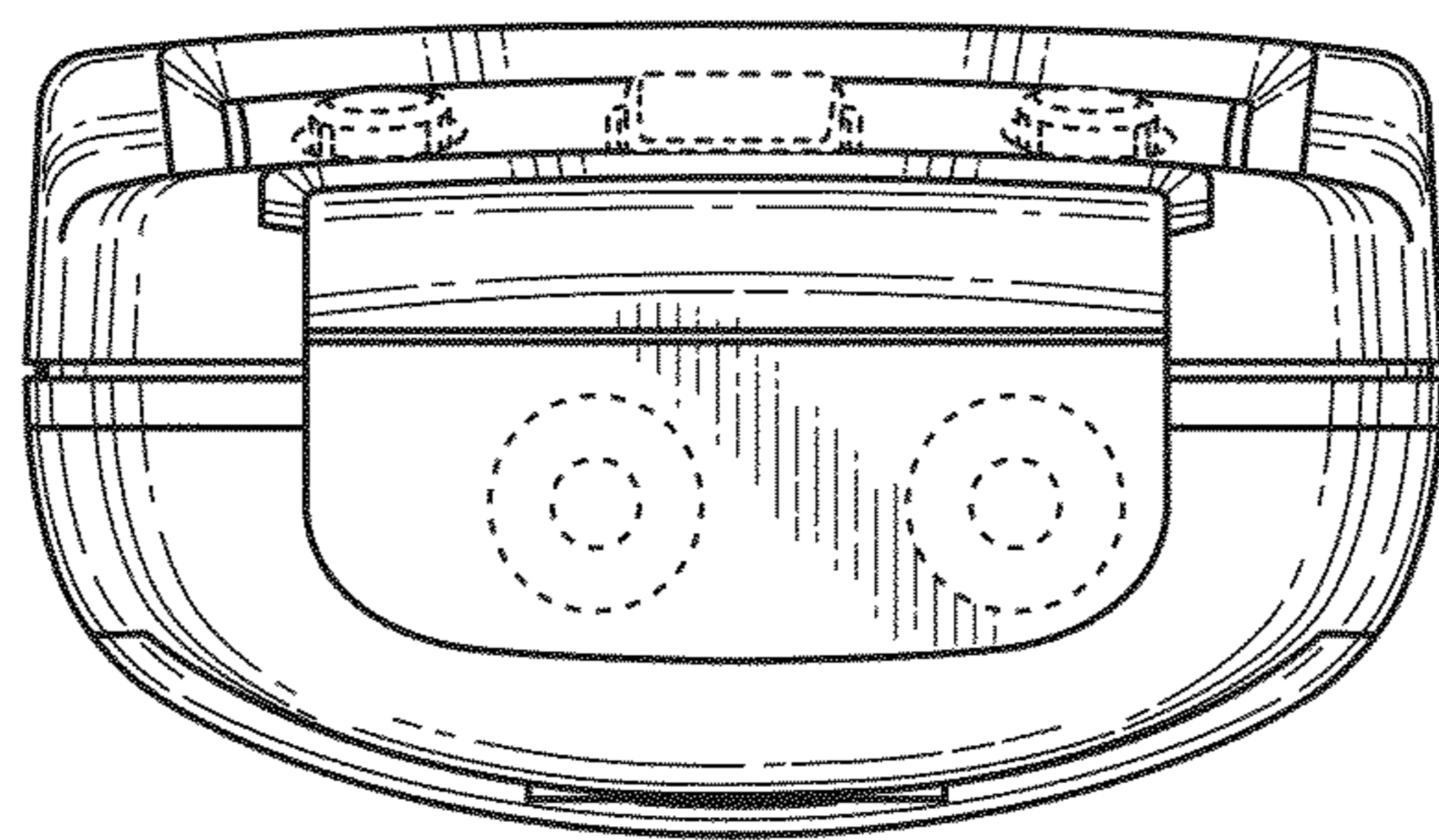


FIG. 91