



US00D683247S

(12) **United States Design Patent**
Baker et al.

(10) **Patent No.:** **US D683,247 S**
(45) **Date of Patent:** **** May 28, 2013**

(54) **CONTAINER**

(75) Inventors: **Gerald J. Baker**, Wauwatosa, WI (US);
Rowdy H. Holstine, Hartford, WI (US);
Jianwen Hu, Nashotah, WI (US)

(73) Assignee: **Silgan Containers LLC**, Woodland Hills, CA (US)

(**) **Term:** **14 Years**

(21) Appl. No.: **29/423,572**

(22) Filed: **Jun. 1, 2012**

(51) **LOC (9) Cl.** **09-01**

(52) **U.S. Cl.**
USPC **D9/773**

(58) **Field of Classification Search**
USPC D9/438, 440, 500, 502, 516, 530,
D9/537, 539, 540, 552, 554, 556-558, 763-783;
215/381-385; 220/660, 662, 669
See application file for complete search history.

(56) **References Cited**

U.S. PATENT DOCUMENTS

2,063,013	A	12/1936	Cooper
D201,400	S	6/1965	Kneeland
3,268,109	A	8/1966	Coppens
4,512,490	A	4/1985	Frei et al.
4,921,116	A	5/1990	Troughton et al.
D323,290	S	1/1992	Keedy, Jr.
5,899,106	A	5/1999	Heurteboust et al.
6,012,601	A	1/2000	Van Dam
D445,030	S	7/2001	Croft et al.
D445,337	S	7/2001	Croft et al.
6,286,357	B1	9/2001	D'Amore et al.
6,354,458	B1	3/2002	Policappelli
D536,262	S	2/2007	Ioannides et al.
D536,263	S	2/2007	Ioannides et al.
D536,264	S	2/2007	Ioannides et al.

D543,845	S	6/2007	Ioannides et al.
D548,111	S	8/2007	Ioannides et al.
D549,596	S	8/2007	Ioannides et al.
D559,120	S	1/2008	Farrow et al.
D559,121	S	1/2008	Farrow et al.
D588,018	S	3/2009	Metzger et al.
D588,936	S	3/2009	Ioannides et al.
D613,617	S *	4/2010	Metzger et al. D9/776
D614,049	S *	4/2010	Diss et al. D9/776
D614,508	S *	4/2010	Hu D9/776
D626,015	S *	10/2010	Diss et al. D9/774
D651,526	S	1/2012	Hu et al.
D653,124	S *	1/2012	Diss D9/776
8,141,741	B2	3/2012	Metzger et al.
D658,078	S *	4/2012	Hu et al. D9/773
D663,210	S *	7/2012	Diss et al. D9/516

(Continued)

Primary Examiner — Keli L Hill

(74) *Attorney, Agent, or Firm* — Reinhart Boerner Van Deuren S.C.

(57) **CLAIM**

We claim the ornamental design for a container, as shown and described.

DESCRIPTION

FIG. 1 is a perspective view of an embodiment of the claimed design;

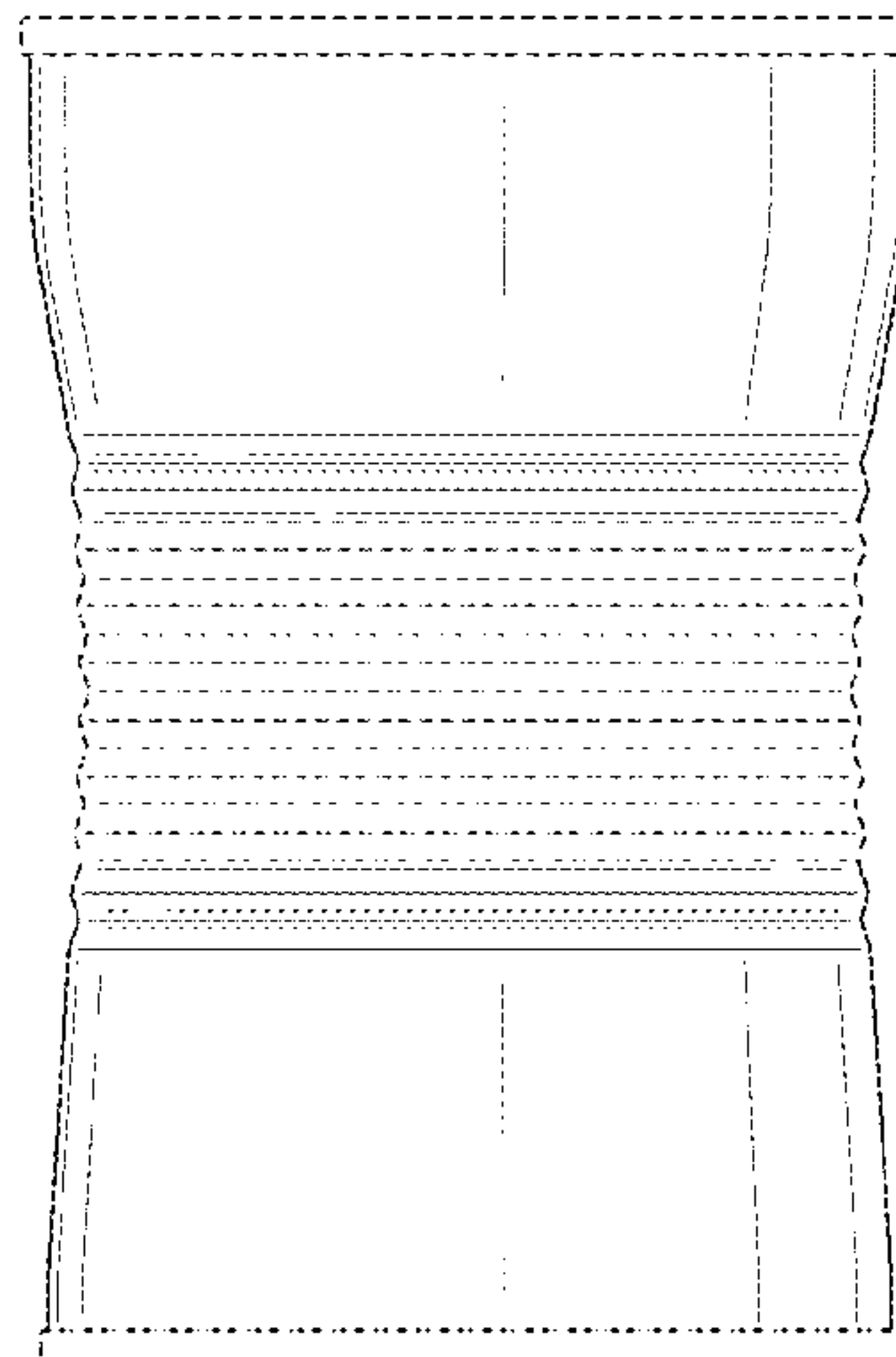
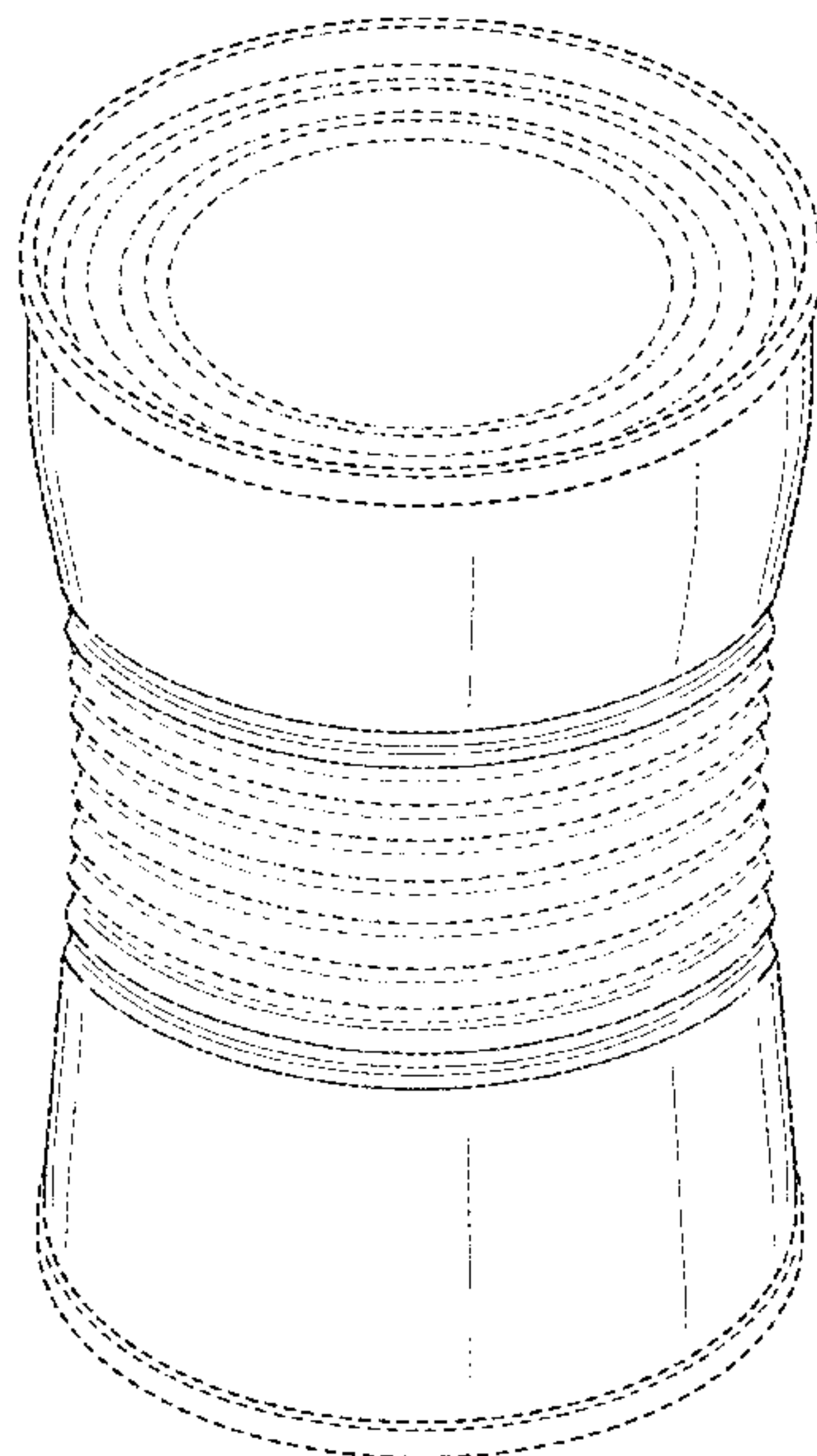
FIG. 2 is a front view of the claimed design of FIG. 1, the rear view, the left side view, and the right side view being the same as the front view;

FIG. 3 is a top view of the claimed design of FIG. 1; and,

FIG. 4 is a bottom view of the claimed design of FIG. 1.

The broken lines immediately adjacent the shaded areas represent the bounds of the claimed design while all other broken lines are included for the purpose of illustrating the unclaimed portions of the container; the broken lines form no part of the claimed design.

1 Claim, 3 Drawing Sheets



US D683,247 S

Page 2

U.S. PATENT DOCUMENTS

2007/0045218 A1 3/2007 Afandyan
2007/0090120 A1 4/2007 Bezek
2009/0218349 A1 9/2009 Metzger et al.

2010/0089924 A1* 4/2010 Rowland et al. 220/270
2012/0043324 A1* 2/2012 Baker et al. 220/270
2012/0145584 A1* 6/2012 Metzger et al. 206/524.8

* cited by examiner

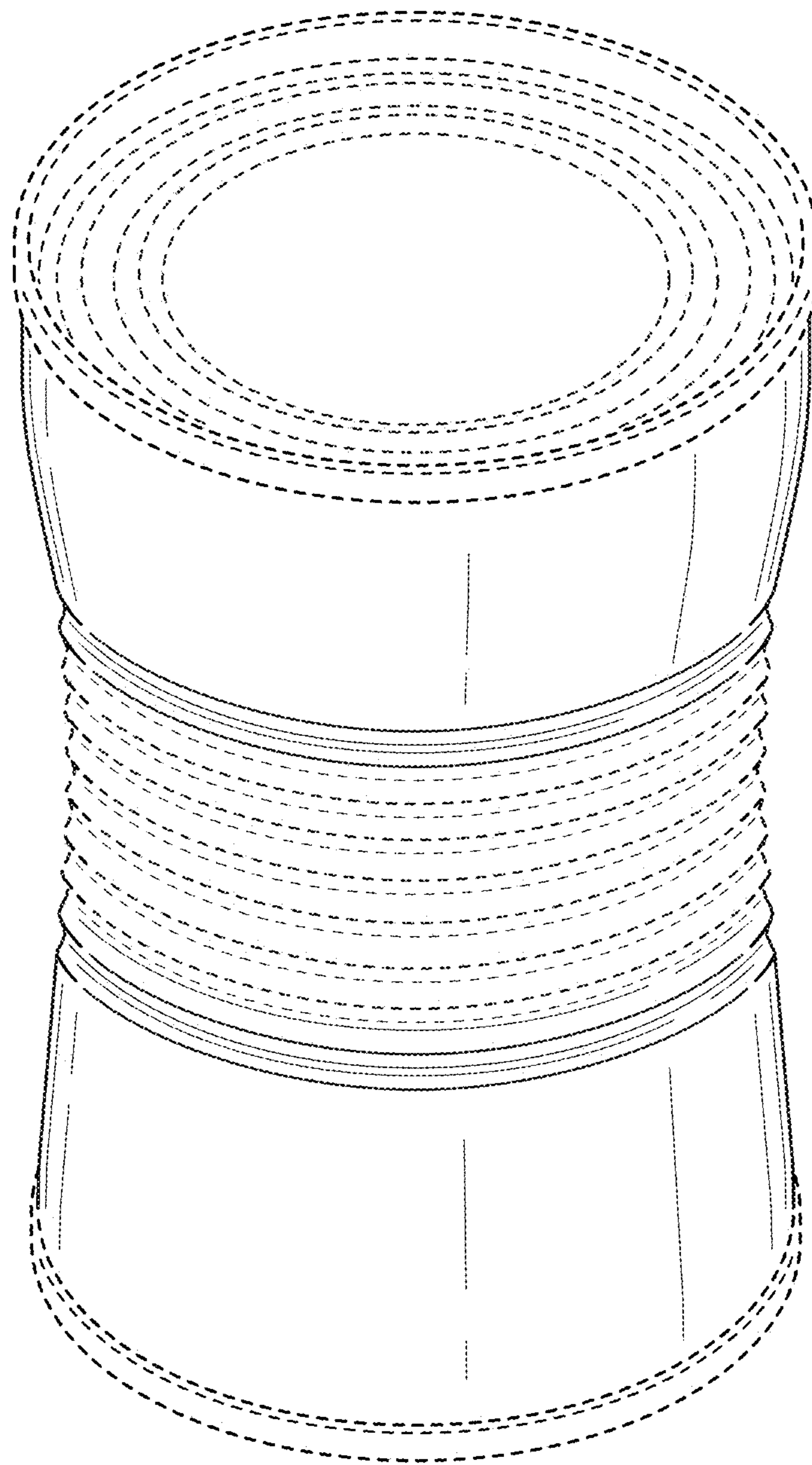


FIG. 1

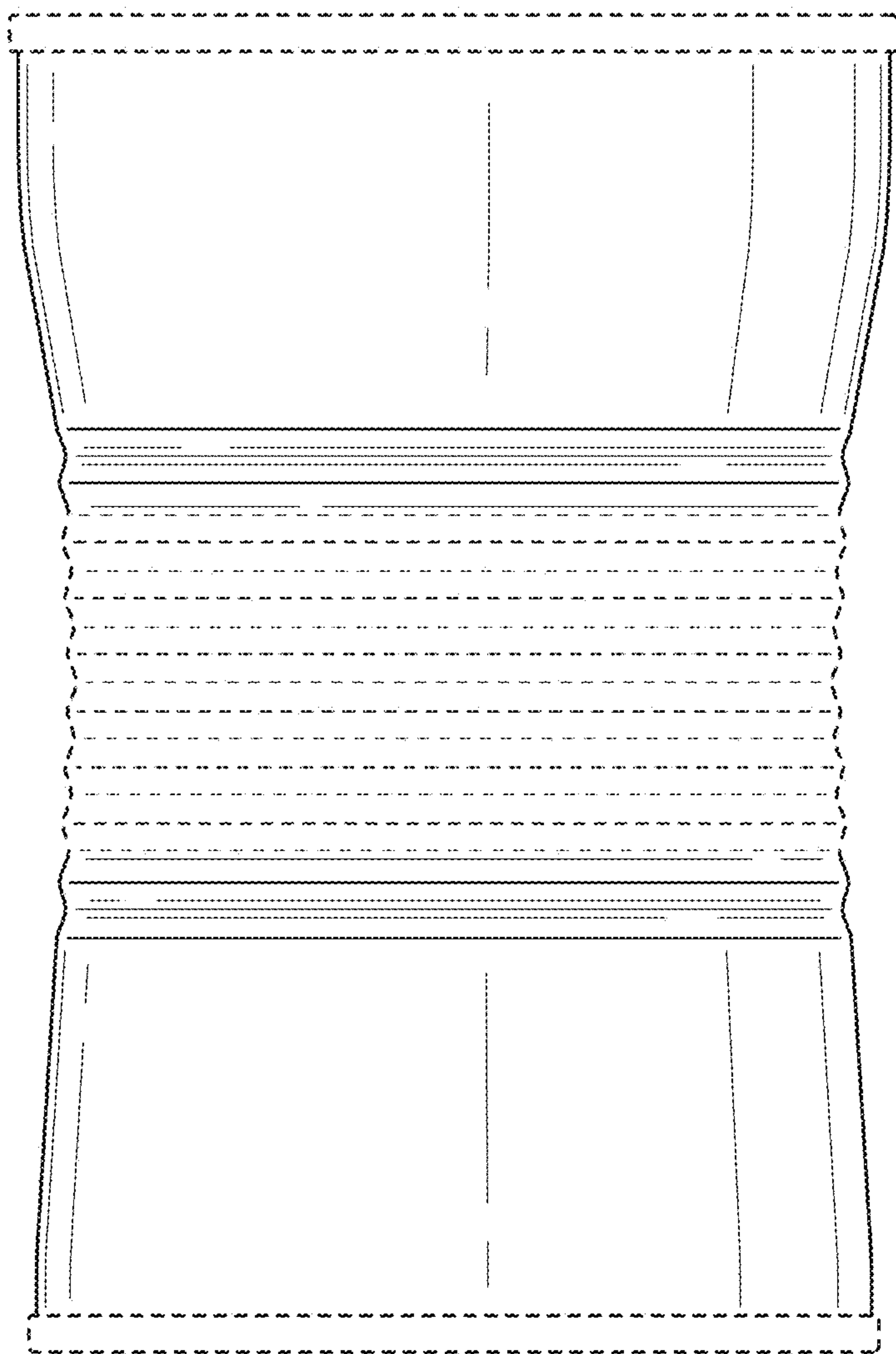


FIG. 2

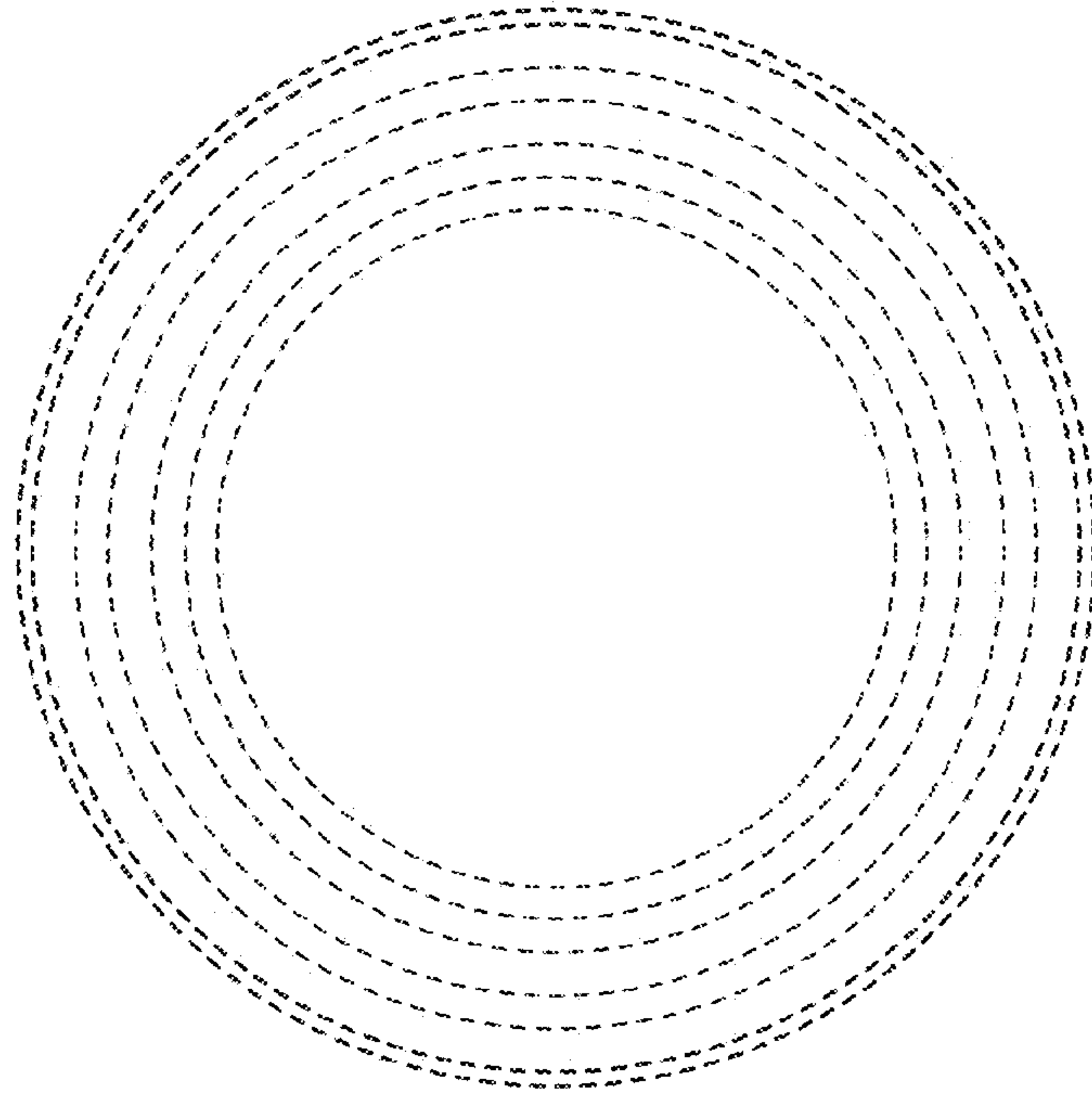


FIG. 3

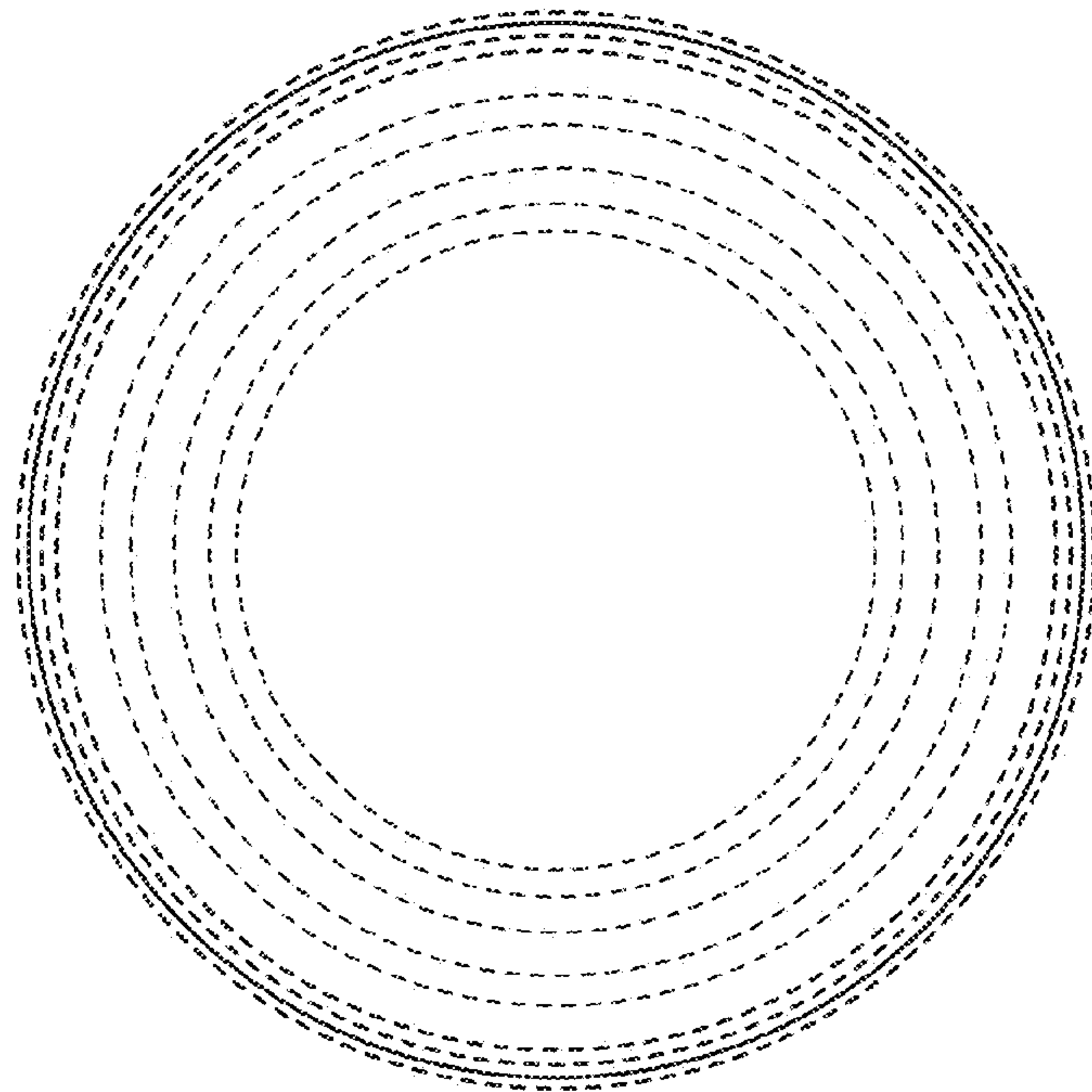


FIG. 4