



US00D683243S

(12) **United States Design Patent**  
**Carson et al.**

(10) **Patent No.:** **US D683,243 S**  
(45) **Date of Patent:** **\*\* May 28, 2013**

(54) **MEDICATION PACKAGING**

(75) Inventors: **Bradley Carson**, Ottawa Hills, OH (US); **Mitchell Mosbacher**, Maumee, OH (US); **Robert E. Napierala, II**, Sylvania, OH (US)

(73) Assignee: **Omnicare Inc.**, Cincinnati, OH (US)

(\*\*) Term: **14 Years**

(21) Appl. No.: **29/397,285**

(22) Filed: **Jul. 14, 2011**

(51) **LOC (9) Cl.** ..... **09-01**

(52) **U.S. Cl.**

USPC ..... **D9/732**

(58) **Field of Classification Search** ..... D9/416, D9/418, 419, 424, 427, 428, 437, 501, 644, D9/653, 658, 696, 707, 731, 736-762, 902; 206/365, 206/461-471, 484, 485, 486, 493, 528, 531, 206/532, 534, 538, 539, 775-783; D24/121, D24/227, 229, 224; D7/538, 541, 546, 549, D7/553.6, 553.3, 557, 586, 628; D3/203.2, D3/203.3, 310, 309, 311, 312, 313; D26/9, D26/11, 22, 23, 39, 101

See application file for complete search history.

(56) **References Cited**

U.S. PATENT DOCUMENTS

3,303,927 A \* 2/1967 Ballard ..... 206/533  
3,433,352 A 3/1969 Haigh  
3,494,322 A 2/1970 Dubbels  
3,497,982 A 3/1970 Schulz  
3,737,026 A 6/1973 Whitecar

D250,880 S \* 1/1979 Stone et al. .... D9/707  
4,261,468 A \* 4/1981 Krebs ..... 206/538  
4,340,141 A 7/1982 Fischer

(Continued)

FOREIGN PATENT DOCUMENTS

JP 8295367 A 11/1996  
WO 2010103658 A1 9/2010

OTHER PUBLICATIONS

Office Action issued in related U.S. Appl. No. 13/153,900 dated Oct. 3, 2012.

(Continued)

*Primary Examiner* — Derrick Holland

*Assistant Examiner* — Lauren Calve

(74) *Attorney, Agent, or Firm* — Wood, Herron & Evans, LLP

(57) **CLAIM**

The ornamental design for a medication packaging, as shown and described.

**DESCRIPTION**

FIG. 1 is a top perspective view of the medication packaging showing our new design;

FIG. 2 is a bottom perspective view of the medication packaging;

FIG. 3 is a top view of the medication packaging;

FIG. 4 is a cross-sectional view of the medication packaging taken along line 4-4 in FIG. 3;

FIG. 5 is a front view of the medication packaging;

FIG. 6 is a right side view of the medication packaging;

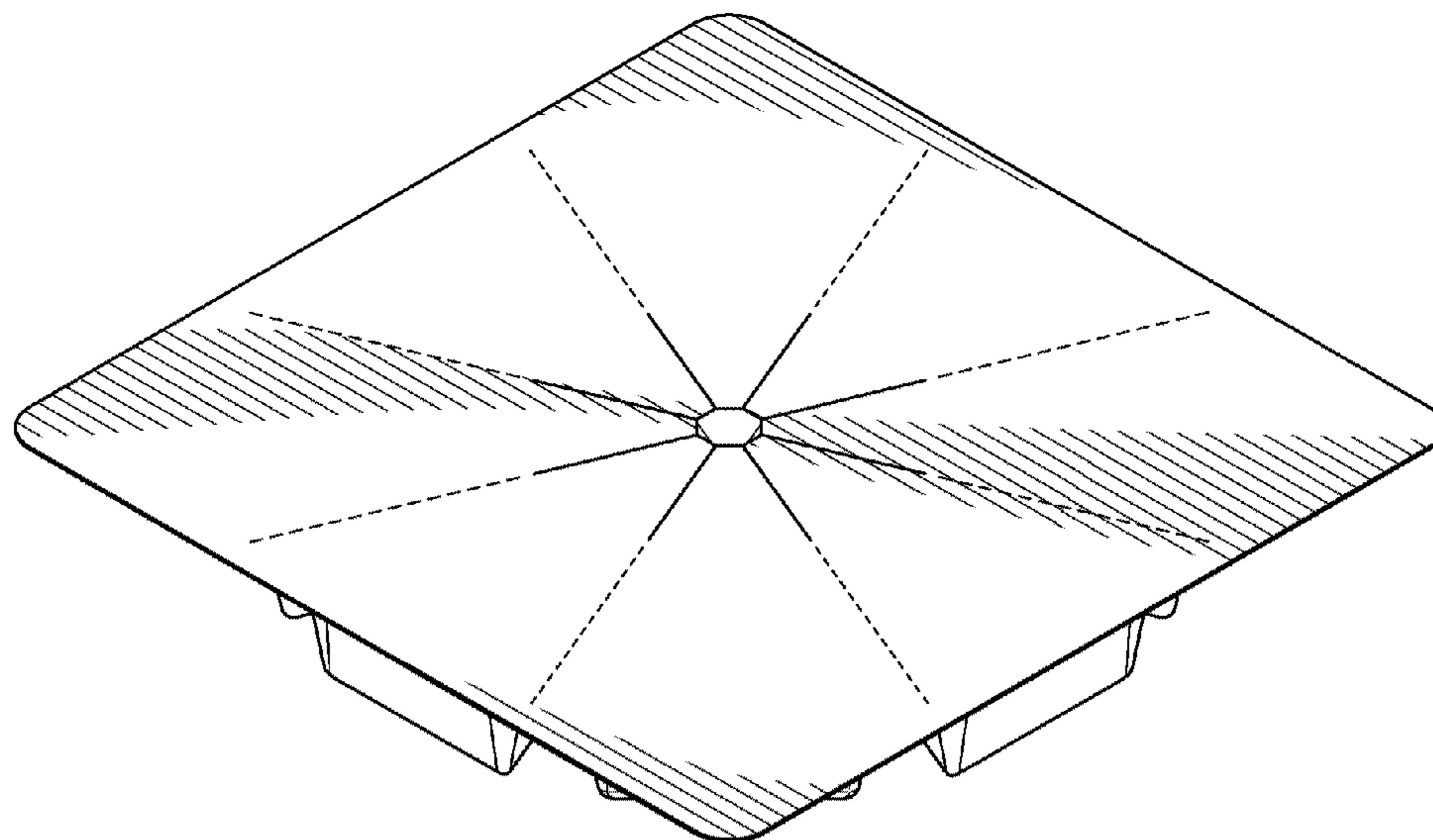
FIG. 7 is a rear view of the medication packaging;

FIG. 8 is a left side view of the medication packaging; and,

FIG. 9 is a bottom view of the medication packaging.

The broken dash lines in FIGS. 1 and 3 represent claimed perforated tear lines. The broken dash lines in FIGS. 2, 4, 5, 6, 7, 8 and 9 are directed to environment, are for illustrative purposes only, and form no part of the claimed design.

**1 Claim, 4 Drawing Sheets**



# US D683,243 S

## U.S. PATENT DOCUMENTS

|           |     |         |                   |          |              |     |         |                           |
|-----------|-----|---------|-------------------|----------|--------------|-----|---------|---------------------------|
| 4,444,310 | A   | 4/1984  | Odell             |          | 7,584,846    | B2  | 9/2009  | Senter                    |
| 4,473,156 | A   | 9/1984  | Martin            |          | 7,624,872    | B2  | 12/2009 | Elliott                   |
| 4,474,294 | A   | 10/1984 | Koppelmans        |          | 7,644,822    | B2  | 1/2010  | Elliott                   |
| 4,653,644 | A   | 3/1987  | Sullivan et al.   |          | 7,690,173    | B2  | 4/2010  | Luciano, Jr. et al.       |
| 4,799,590 | A   | 1/1989  | Furman            |          | 7,699,173    | B2  | 4/2010  | Hession                   |
| 4,958,731 | A   | 9/1990  | Calcerano         |          | 7,758,936    | B2  | 7/2010  | Spallek et al.            |
| 5,014,851 | A   | 5/1991  | Wick              |          | 7,770,732    | B2  | 8/2010  | Stroppolo et al.          |
| D321,788  | S * | 11/1991 | Chen .....        | D3/295   | D628,471     | S * | 12/2010 | Golota et al. .... D9/425 |
| D321,826  | S * | 11/1991 | Page .....        | D9/707   | D629,702     | S   | 12/2010 | Caldwell et al.           |
| D336,216  | S * | 6/1993  | Rohrbeck .....    | D7/553.6 | 7,866,476    | B2  | 1/2011  | McGonagle et al.          |
| 5,325,968 | A   | 7/1994  | Sowden            |          | D670,178     | S * | 11/2012 | Carson .....              |
| 5,368,187 | A   | 11/1994 | Poncetta et al.   |          | 2003/0209461 | A1  | 11/2003 | French et al.             |
| 5,377,839 | A   | 1/1995  | Relyea et al.     |          | 2005/0109656 | A1  | 5/2005  | Ishizaki                  |
| 5,393,032 | A   | 2/1995  | Cederroth         |          | 2005/0112194 | A1  | 5/2005  | Gervais et al.            |
| 5,425,474 | A   | 6/1995  | Dalea et al.      |          | 2005/0161364 | A1  | 7/2005  | DeJonge                   |
| 5,542,539 | A   | 8/1996  | Early             |          | 2006/0086640 | A1  | 4/2006  | Luciano et al.            |
| 5,624,036 | A   | 4/1997  | Roulin et al.     |          | 2006/0219577 | A1  | 10/2006 | Newman                    |
| D392,562  | S   | 3/1998  | Lo                |          | 2006/0219595 | A1  | 10/2006 | Peters                    |
| 5,775,505 | A   | 7/1998  | Vasquez et al.    |          | 2007/0131576 | A1  | 6/2007  | Ehling et al.             |
| 5,788,079 | A   | 8/1998  | Bouthiette        |          | 2007/0184078 | A1  | 8/2007  | Chen                      |
| 5,899,335 | A   | 5/1999  | Boyer et al.      |          | 2007/0267430 | A1  | 11/2007 | Luciano et al.            |
| 5,988,367 | A   | 11/1999 | Gemma, Jr. et al. |          | 2008/0047867 | A1  | 2/2008  | Holmberg                  |
| 6,041,932 | A   | 3/2000  | Holmberg          |          | 2008/0190809 | A1  | 8/2008  | Simon et al.              |
| D429,149  | S * | 8/2000  | Humphrey .....    | D9/418   | 2008/0312957 | A1  | 12/2008 | Luciano, Jr. et al.       |
| 6,155,423 | A   | 12/2000 | Katzner et al.    |          | 2009/0078606 | A1  | 3/2009  | Conley et al.             |
| 6,158,585 | A   | 12/2000 | Labat et al.      |          | 2009/0230013 | A1  | 9/2009  | Born et al.               |
| D440,871  | S   | 4/2001  | Lo                |          | 2009/0277815 | A1  | 11/2009 | Kohl                      |
| 6,247,590 | B1  | 6/2001  | Baker             |          | 2009/0283437 | A1  | 11/2009 | Angelucci et al.          |
| 6,293,403 | B1  | 9/2001  | Holmberg          |          | 2009/0321296 | A1  | 12/2009 | Luciano, Jr. et al.       |
| D451,666  | S * | 12/2001 | Zastrow .....     | D3/203.3 | 2010/0065464 | A1  | 3/2010  | Elliott                   |
| 6,375,956 | B1  | 4/2002  | Hermelin et al.   |          | 2010/0072104 | A1  | 3/2010  | Kohl                      |
| 6,564,945 | B1  | 5/2003  | Weinstein et al.  |          | 2010/0108559 | A1  | 5/2010  | Kohl                      |
| 6,681,935 | B1  | 1/2004  | Lewis             |          | 2010/0108677 | A1  | 5/2010  | Loftin et al.             |
| 6,776,285 | B2  | 8/2004  | Shibata           |          | 2010/0147734 | A1  | 6/2010  | Luciano, Jr. et al.       |
| 6,830,153 | B2  | 12/2004 | French et al.     |          | 2010/0154365 | A1  | 6/2010  | Williams-Hartman          |
| 6,988,619 | B2  | 1/2006  | Klatt             |          | 2011/0049003 | A1  | 3/2011  | Bellamah et al.           |
| 7,055,294 | B1  | 6/2006  | Lewis             |          | 2011/0068040 | A1  | 3/2011  | Kendig et al.             |
| D528,434  | S   | 9/2006  | Wolpow            |          |              |     |         |                           |
| D533,464  | S   | 12/2006 | Wolpow            |          |              |     |         |                           |
| D537,734  | S   | 3/2007  | Wolpow            |          |              |     |         |                           |
| 7,210,580 | B2  | 5/2007  | Elliott           |          |              |     |         |                           |
| 7,228,970 | B2  | 6/2007  | Holmberg          |          |              |     |         |                           |
| 7,293,653 | B2  | 11/2007 | Von Falkenhausen  |          |              |     |         |                           |
| D563,095  | S   | 3/2008  | Sabbag            |          |              |     |         |                           |
| D575,148  | S * | 8/2008  | Sagel .....       | D9/761   |              |     |         |                           |

## OTHER PUBLICATIONS

European Patent Office, extended European search report issued in related European Application No. 12169648.8 dated Oct. 1, 2012.  
 European Patent Office, extended European search report issued in related European application No. 12169645.4 dated Oct. 5, 2012.

\* cited by examiner

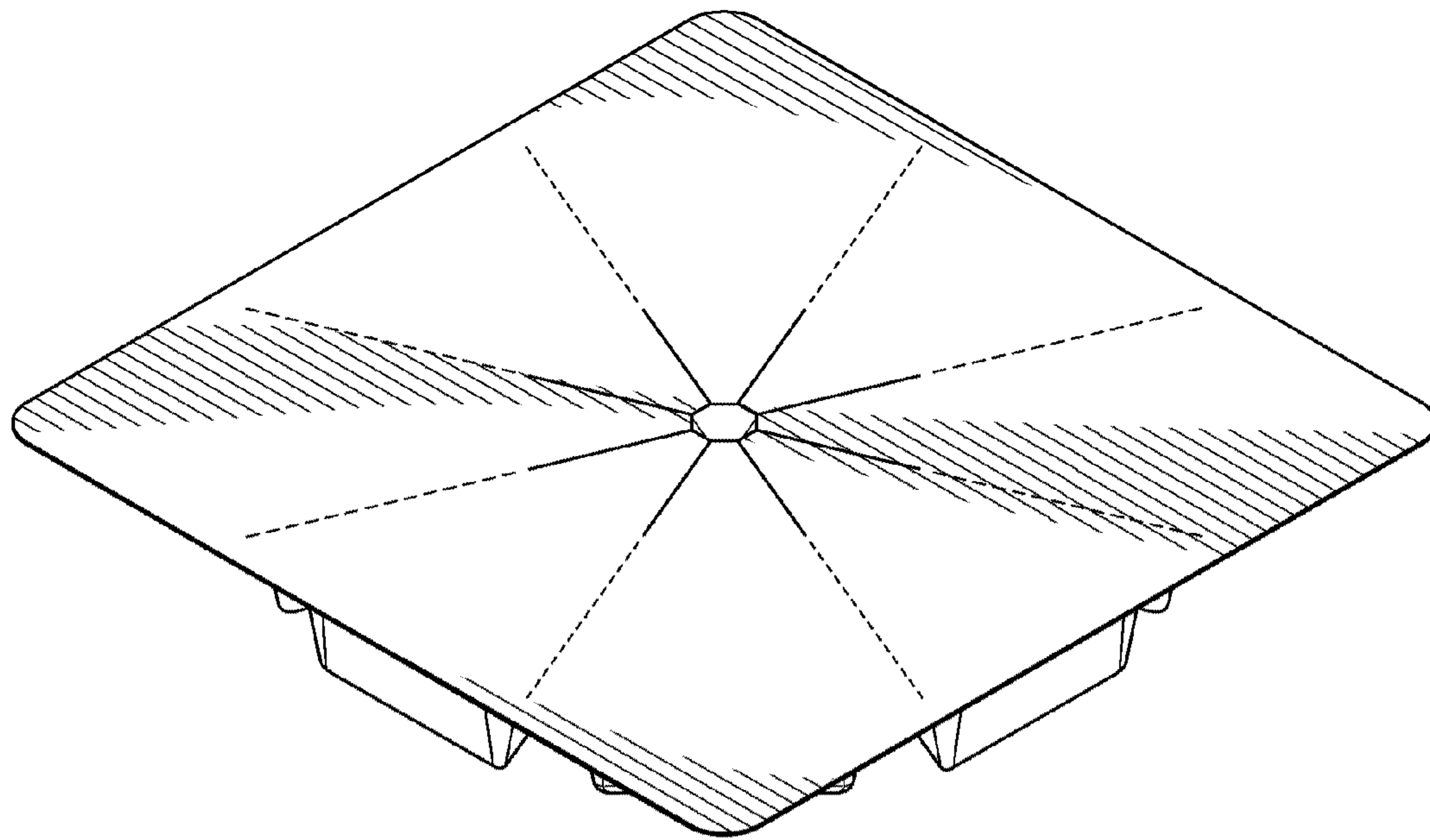


FIG. 1

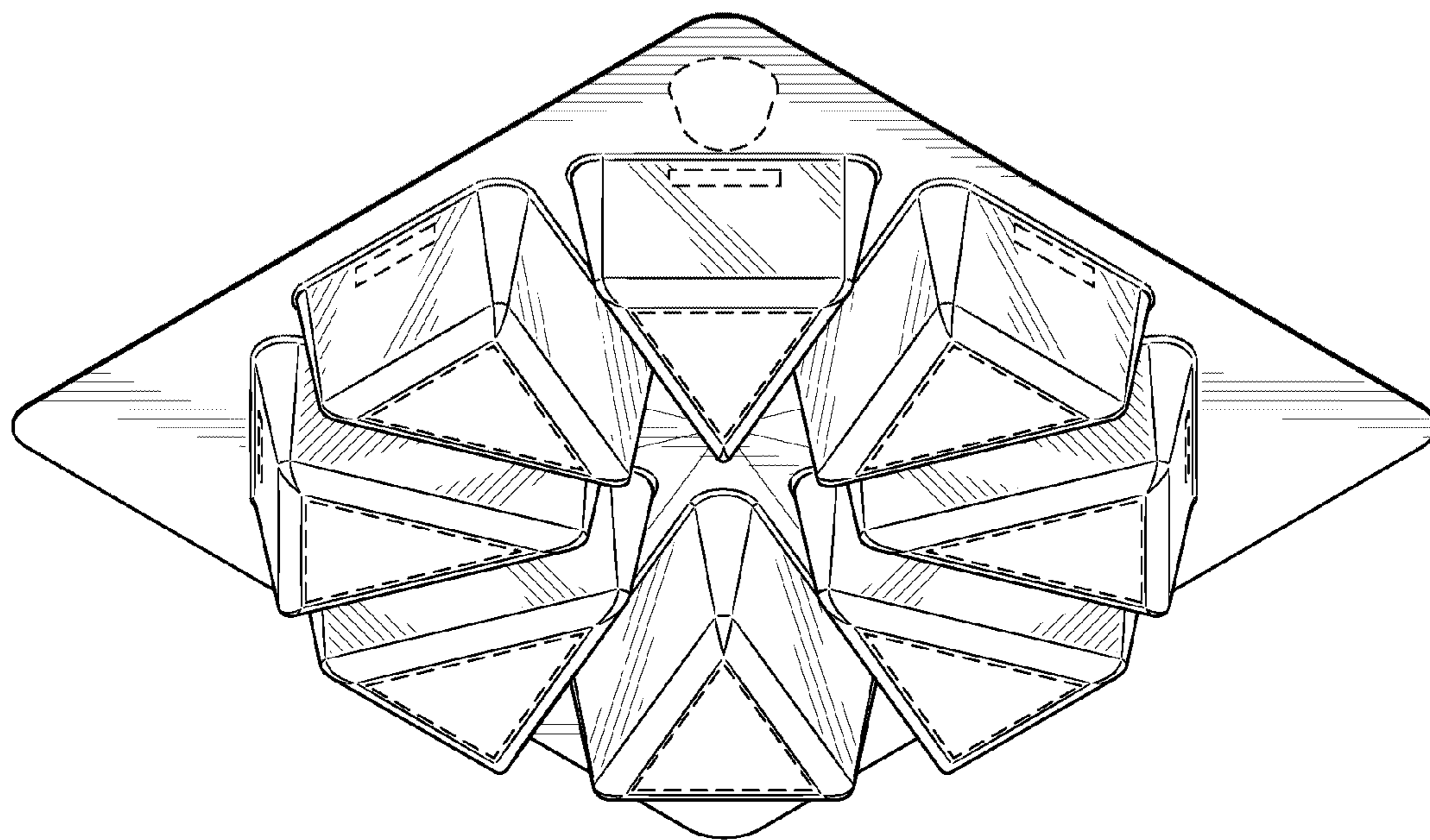


FIG. 2

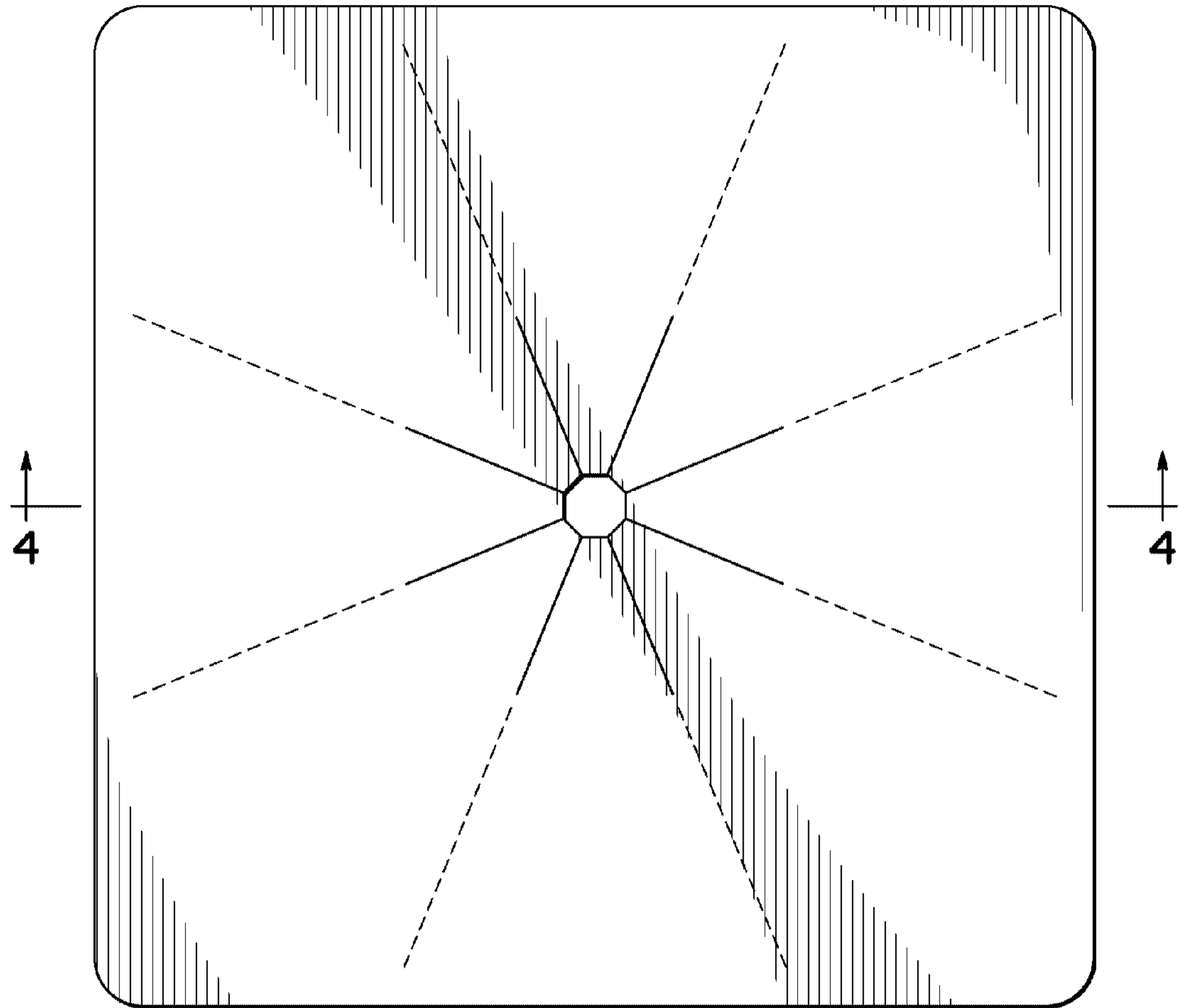


FIG. 3

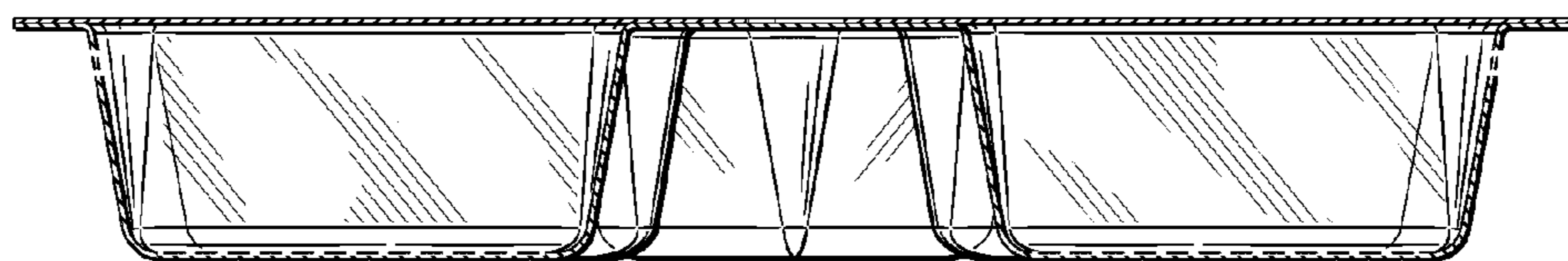


FIG. 4

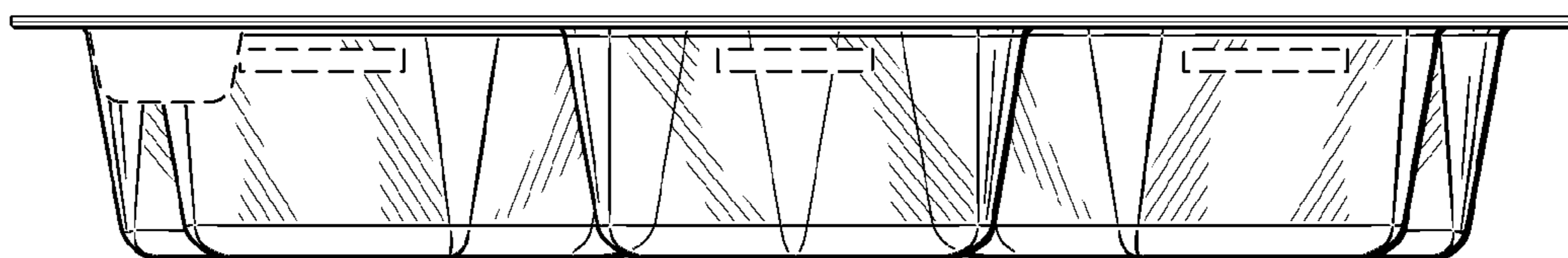


FIG. 5

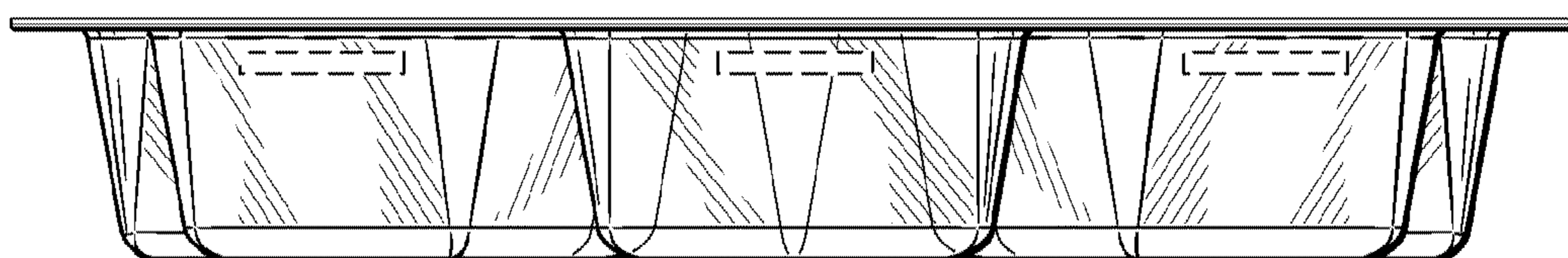


FIG. 6

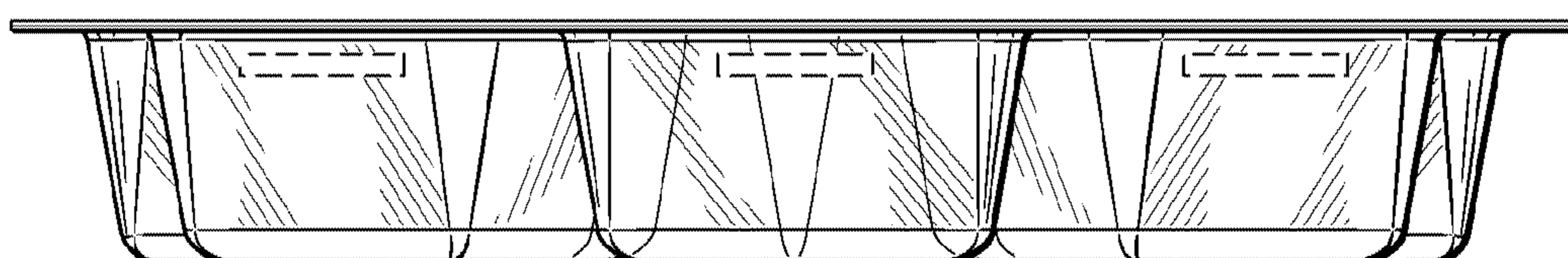


FIG. 7

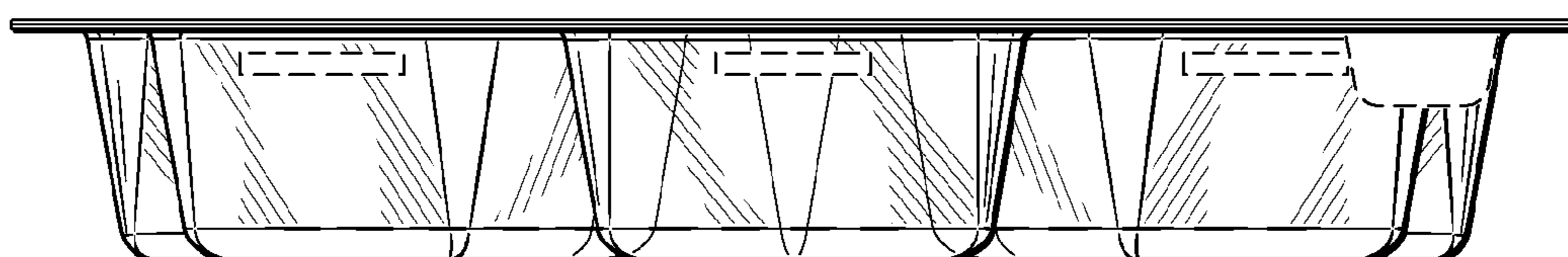


FIG. 8

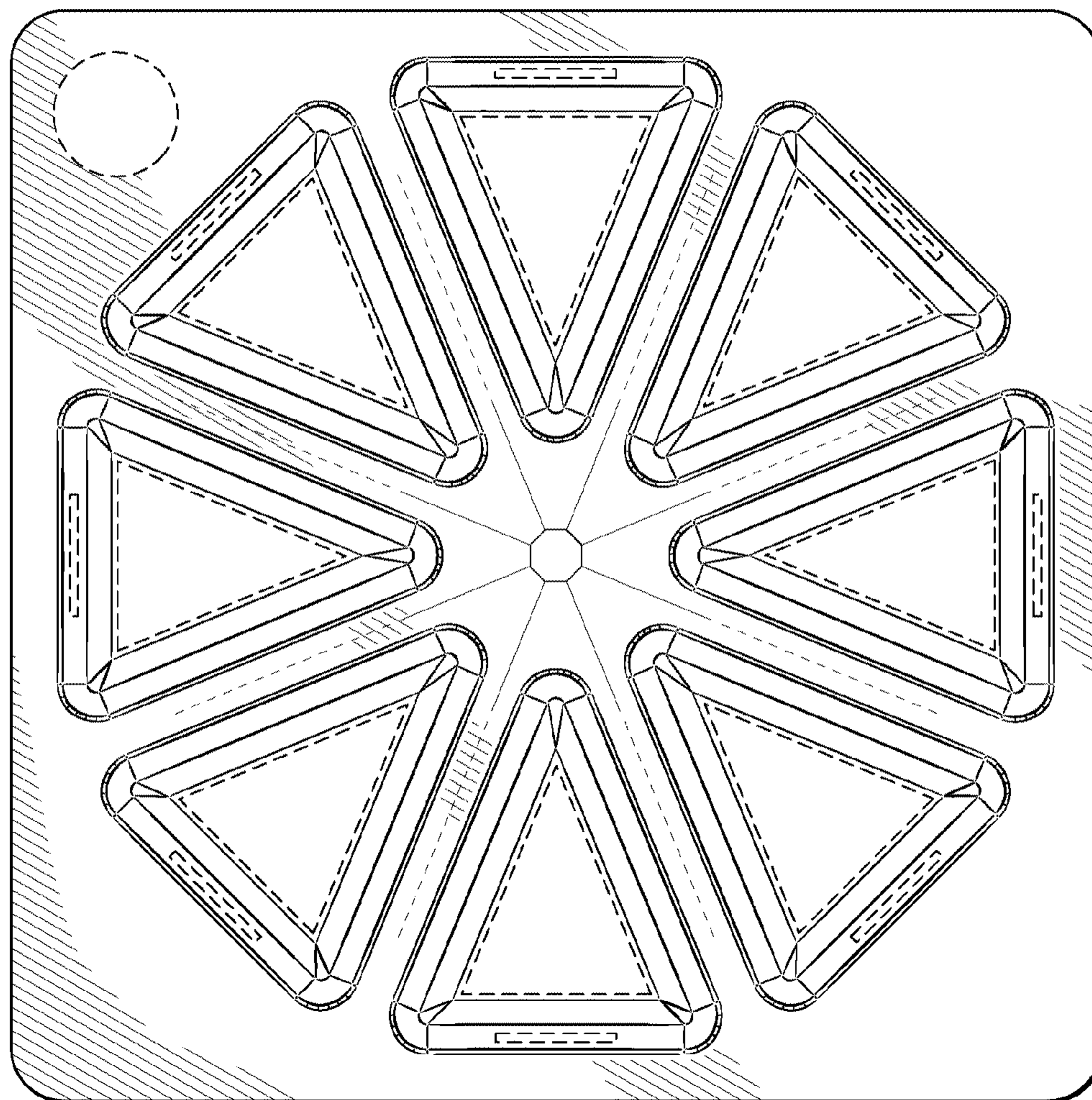


FIG. 9