



US00D683242S

(12) **United States Design Patent**
Logue

(10) **Patent No.:** **US D683,242 S**

(45) **Date of Patent:** **** May 28, 2013**

(54) **MEDICAMENT PACKAGE**

(75) **Inventor:** **Anthony Thomas Logue**, Yowie Bay (AU)

(73) **Assignee:** **Logue & Co. Pty**, Yowie Bay (AU), as trustee for A.T. & L.M. Logue Family Trust

(**) **Term:** **14 Years**

(21) **Appl. No.:** **29/415,816**

(22) **Filed:** **Mar. 14, 2012**

(30) **Foreign Application Priority Data**

Sep. 14, 2011 (AU) 14076/2011

(51) **LOC (9) Cl.** **09-03**

(52) **U.S. Cl.**
USPC **D9/721**

(58) **Field of Classification Search**
USPC D9/414, 416, 418, 421, 423, 426, D9/430, 432, 433, 715, 716, 730, 728, 737, D9/761, 755, 742, 740, 743, 744, 745; 229/100, 229/103.1, 103.3, 120.01, 120.011, 120.15, 229/122.1, 123.1, 123.2, 186, 221, 242, 901; 221/231, 242, 282, 303, 305

See application file for complete search history.

(56) **References Cited**

U.S. PATENT DOCUMENTS

2,625,315	A *	1/1953	Fehrenkamp	229/155
3,058,644	A *	10/1962	Zastrow	229/120.011
4,170,298	A *	10/1979	Dorn	206/326
5,533,667	A *	7/1996	Gale	229/120.01
6,209,718	B1 *	4/2001	Mollstam et al.	206/222
D629,701	S *	12/2010	Eissner	D9/733
2007/0108259	A1 *	5/2007	Daikyo et al.	229/103.1

* cited by examiner

Primary Examiner — Derrick Holland

Assistant Examiner — Lauren Calve

(74) *Attorney, Agent, or Firm* — Sughrue Mion, PLLC

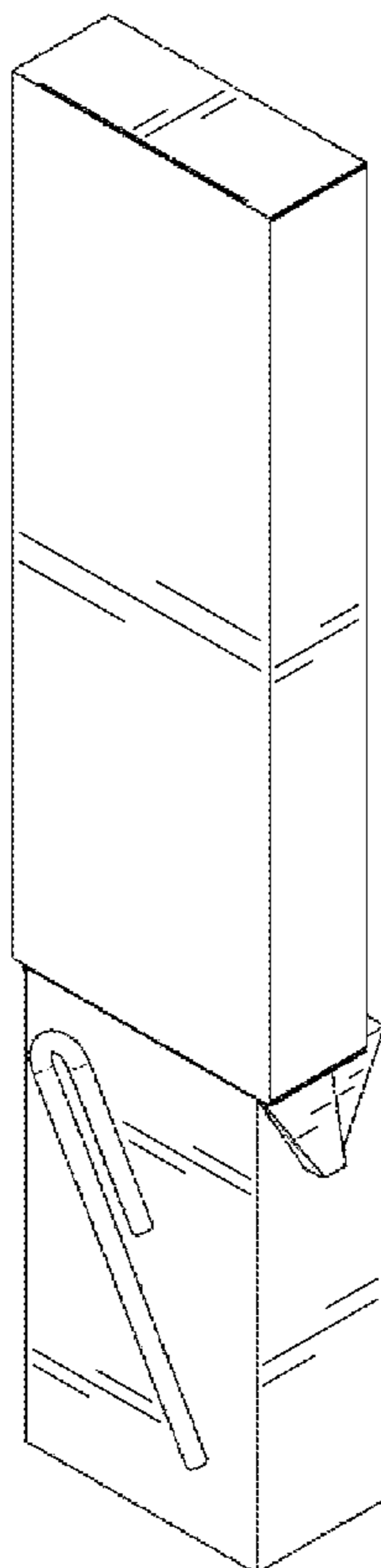
(57) **CLAIM**

The ornamental design for a medicament package, as shown and described.

DESCRIPTION

FIG. 1 is a front perspective view of the medicament package; FIG. 2 is a left side view of thereof; FIG. 3 is a right side view thereof; FIG. 4 is a front view thereof; FIG. 5 is a rear view thereof; FIG. 6 is a top view thereof; and, FIG. 7 is a bottom view thereof.

1 Claim, 3 Drawing Sheets



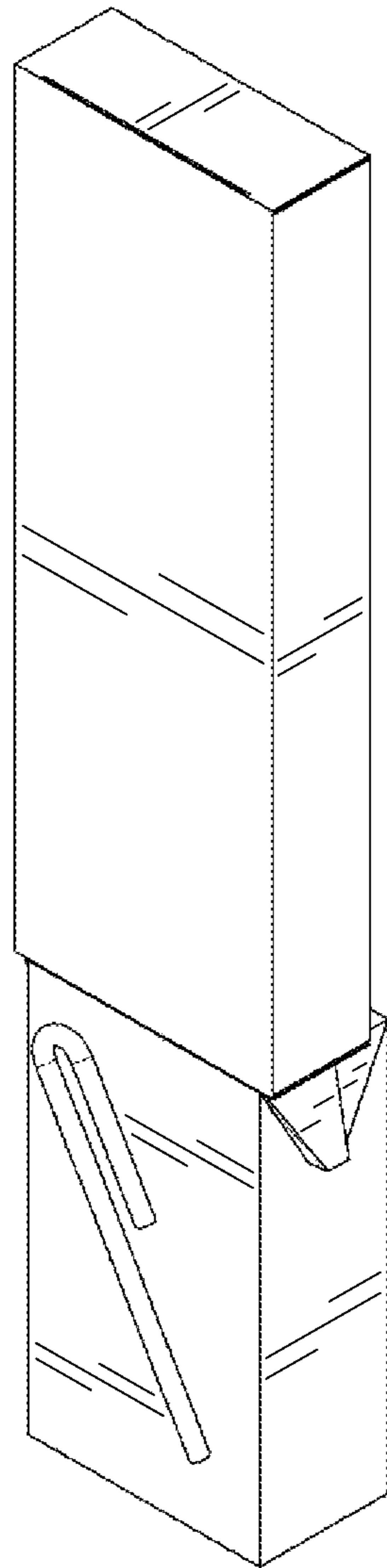


FIG. 1

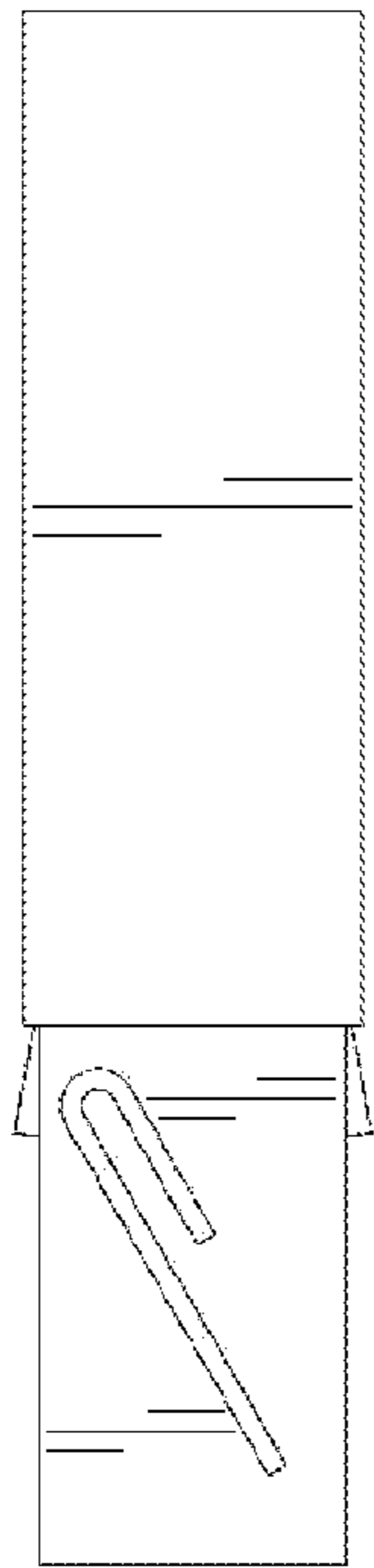


FIG. 2

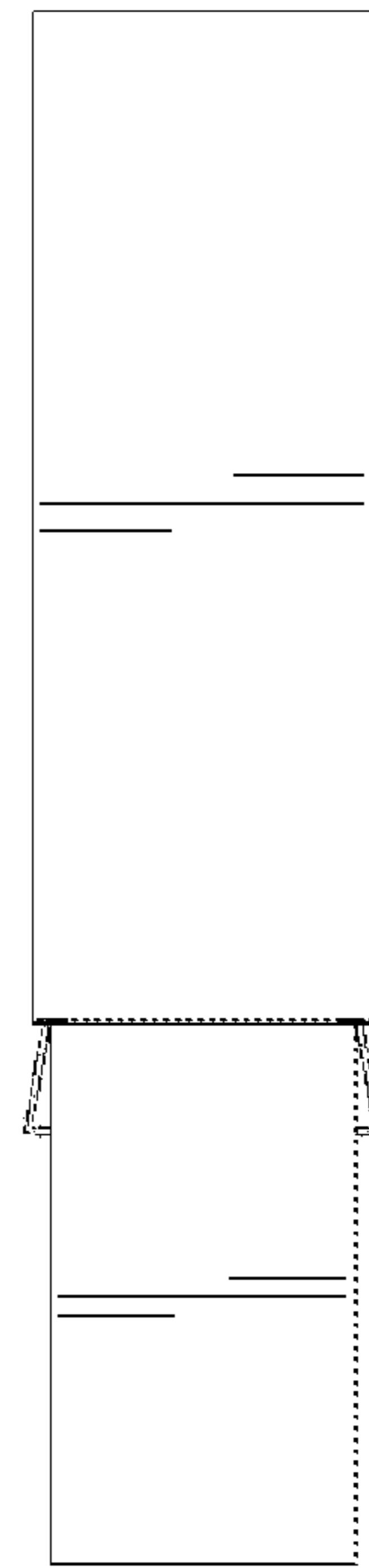


FIG. 3

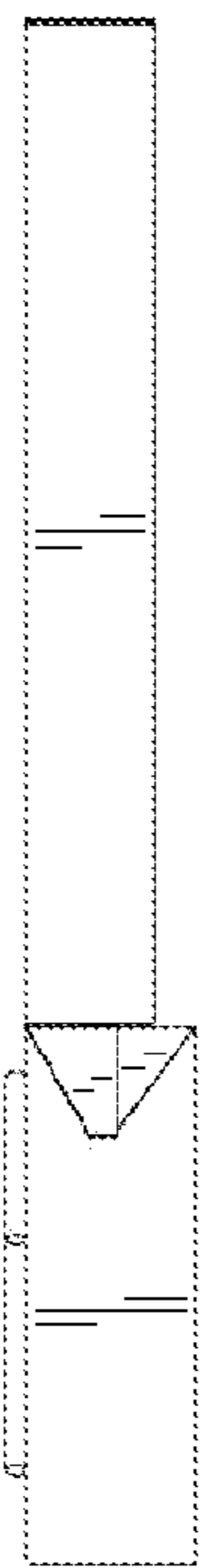


FIG. 4

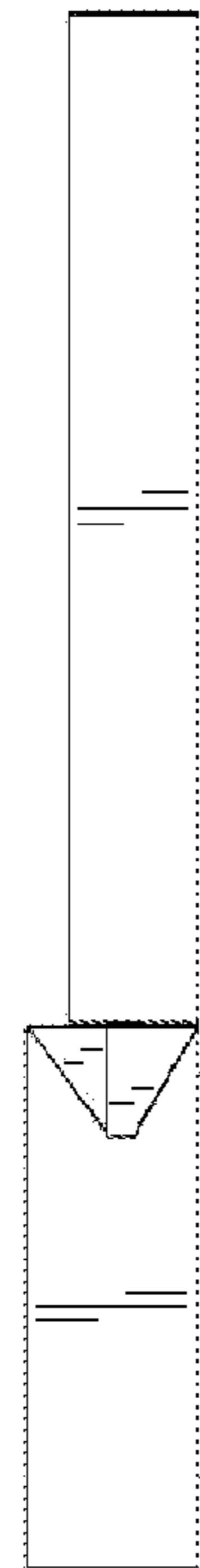


FIG. 5

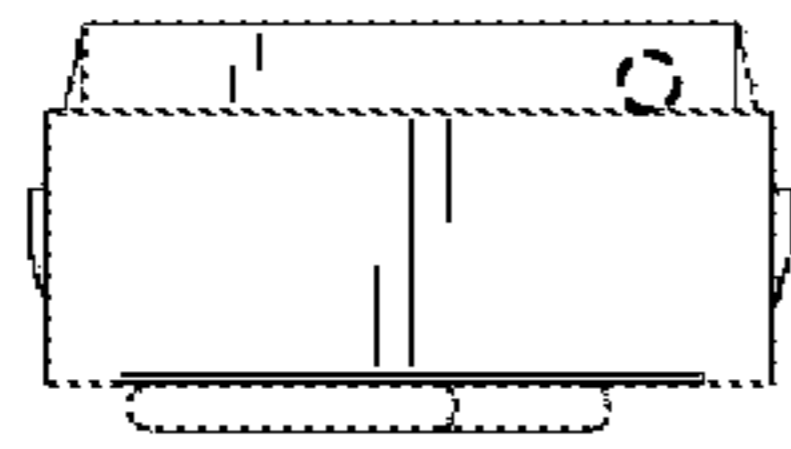


FIG. 6

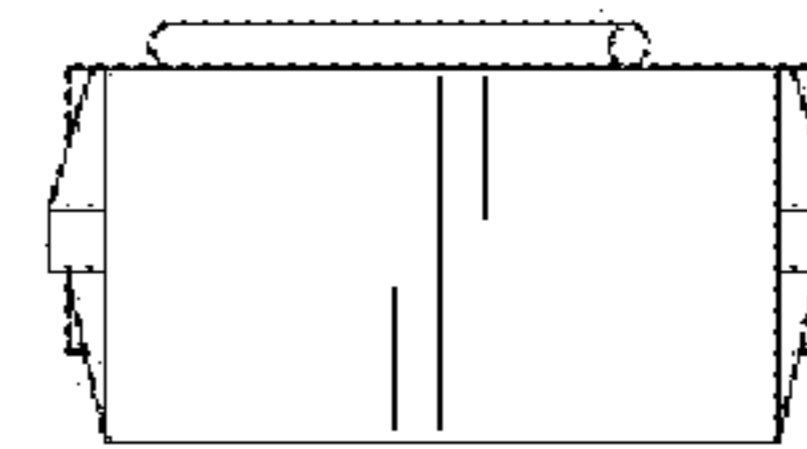


FIG. 7