



US00D683241S

(12) **United States Design Patent**
Ghini et al.

(10) **Patent No.:** **US D683,241 S**

(45) **Date of Patent:** **** May 28, 2013**

(54) **TEA CADDY**

(75) Inventors: **Marco Ghini**, Monte San Pietro (IT);
Roberto Polloni, Modigliana (IT)

(73) Assignee: **Azionaria Construzioni Macchine**
Automatiche A.C.M.A. S.p.A. (IT)

(**) Term: **14 Years**

(21) Appl. No.: **29/415,527**

(22) Filed: **Mar. 12, 2012**

(30) **Foreign Application Priority Data**

Sep. 13, 2011 (EM) 001293021

(51) **LOC (9) Cl.** **09-03**

(52) **U.S. Cl.**
USPC **D9/721**

(58) **Field of Classification Search**
USPC D9/414, 418, 420, 421, 423, 704,
D9/711, 715, 718, 721, 722, 756, 759; 206/215,
206/218, 223, 256, 322, 323, 324, 325, 497,
206/521, 575, 576, 583, 733; 220/3.8; 229/4.5,
229/103.2, 103.3, 162.1, 193; D3/202, 205,
D3/208, 230, 272, 274; D27/187, 189; 426/77,
426/81

See application file for complete search history.

(56) **References Cited**

U.S. PATENT DOCUMENTS

348,924	A *	9/1886	Munson	229/120.18
788,703	A *	5/1905	Casterline	221/58
2,773,589	A *	12/1956	Hennessey	206/733
2,978,889	A *	4/1961	Atchley	431/152
D202,133	S *	8/1965	Marchant	D9/424
3,877,573	A *	4/1975	Scott et al.	206/236
D279,507	S *	7/1985	Schechter et al.	D27/189
D329,140	S *	9/1992	Maricle	D3/225

D355,275	S *	2/1995	Focke	D27/189
D397,825	S *	9/1998	Segawa	D27/159
D405,007	S *	2/1999	Naas, Sr.	D9/414
D429,371	S *	8/2000	Matoba	D27/141
D438,101	S *	2/2001	Koster	D9/721
6,435,342	B1 *	8/2002	Agnes	206/268
D495,950	S *	9/2004	Cotert et al.	D9/721
D548,396	S *	8/2007	Chen	D27/157
D550,455	S *	9/2007	Barnhart	D3/247
D591,900	S *	5/2009	McKenzie et al.	D27/189
D591,901	S *	5/2009	Tearle	D27/189
D607,317	S *	1/2010	Collins	D9/423
D610,303	S *	2/2010	Valle	D27/189
D616,146	S *	5/2010	Holford	D27/189
D656,094	S *	3/2012	Wu	D13/108
2008/0035501	A1 *	2/2008	Yin	206/268
2011/0180432	A1 *	7/2011	Blick et al.	206/265

* cited by examiner

Primary Examiner — Derrick Holland

Assistant Examiner — Lauren Calve

(74) *Attorney, Agent, or Firm* — Timothy J. Klima;
Shuttleworth & Ingersoll, PLC

(57) **CLAIM**

The ornamental design for a tea caddy, as shown and described.

DESCRIPTION

FIG. 1 is a perspective view of a first embodiment of a tea caddy according to the present invention;

FIG. 2 is a perspective view of the tea caddy of FIG. 1, shown with the lid open;

FIG. 3 is a perspective view of a second embodiment of a tea caddy according to the present invention; and,

FIG. 4 is a perspective view of the tea caddy of FIG. 3, shown with the lid open.

The broken line showing of the tea caddy represents unclaimed subject matter and forms no part of the claimed design.

1 Claim, 2 Drawing Sheets

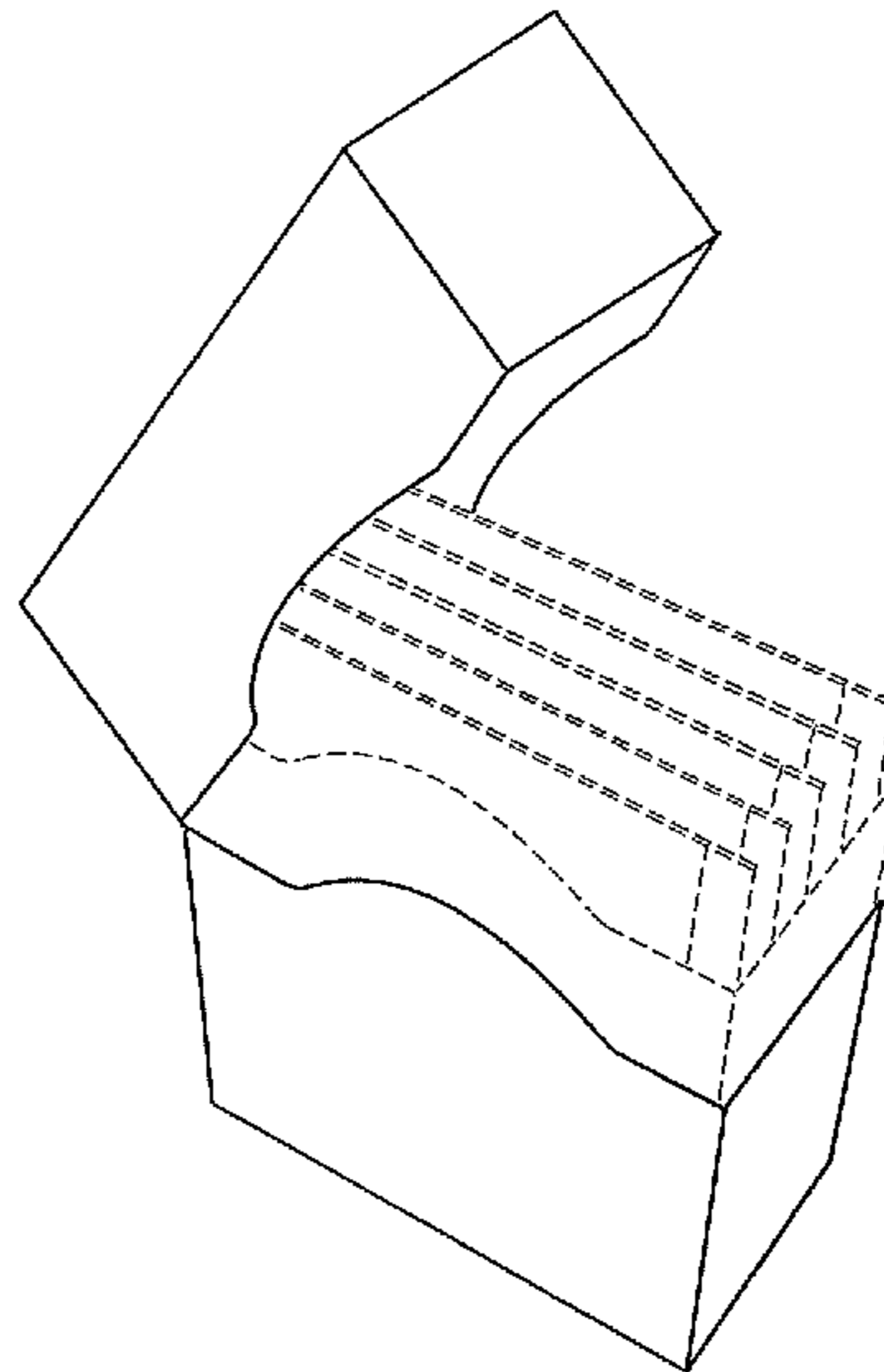
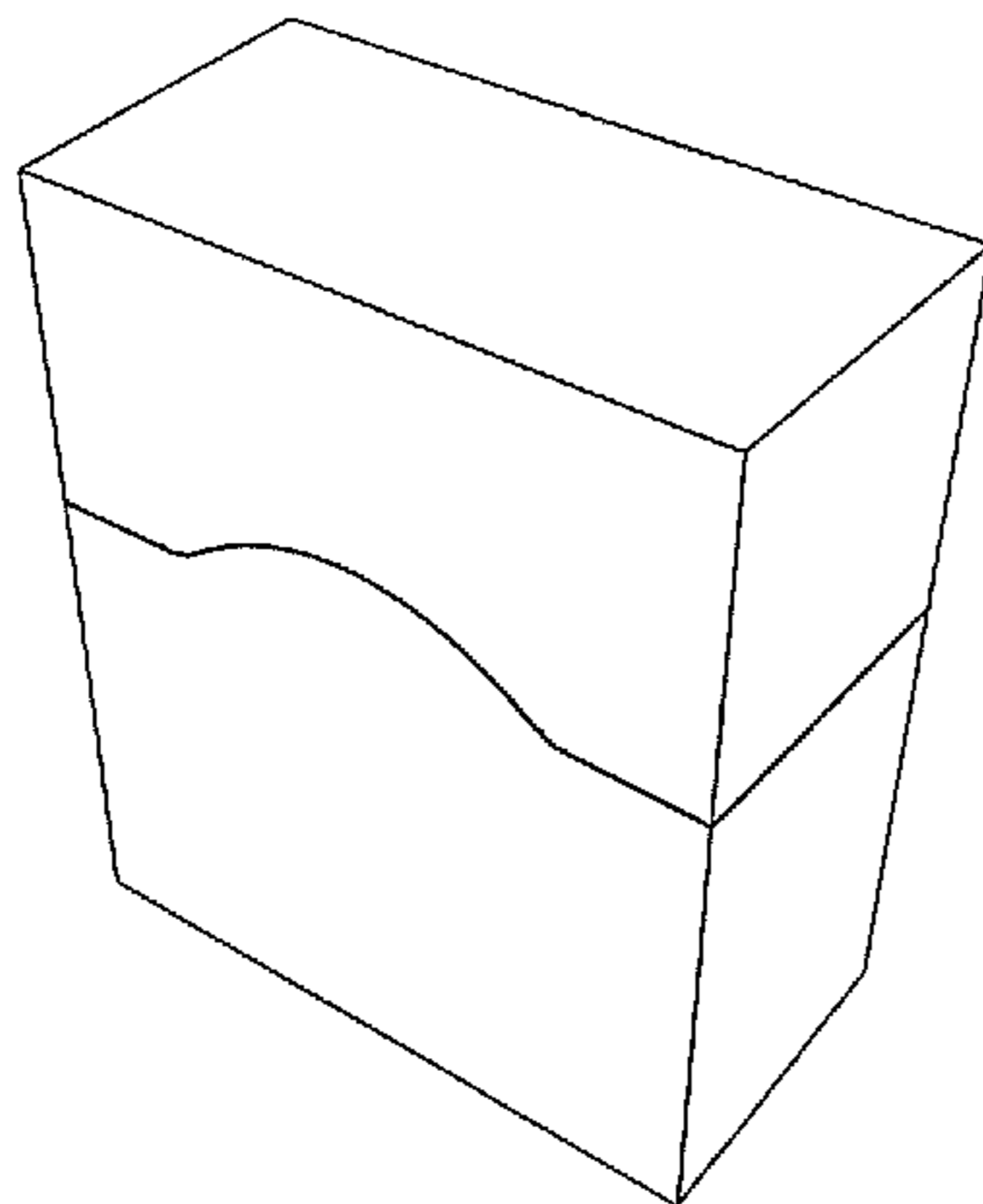


FIG. 1

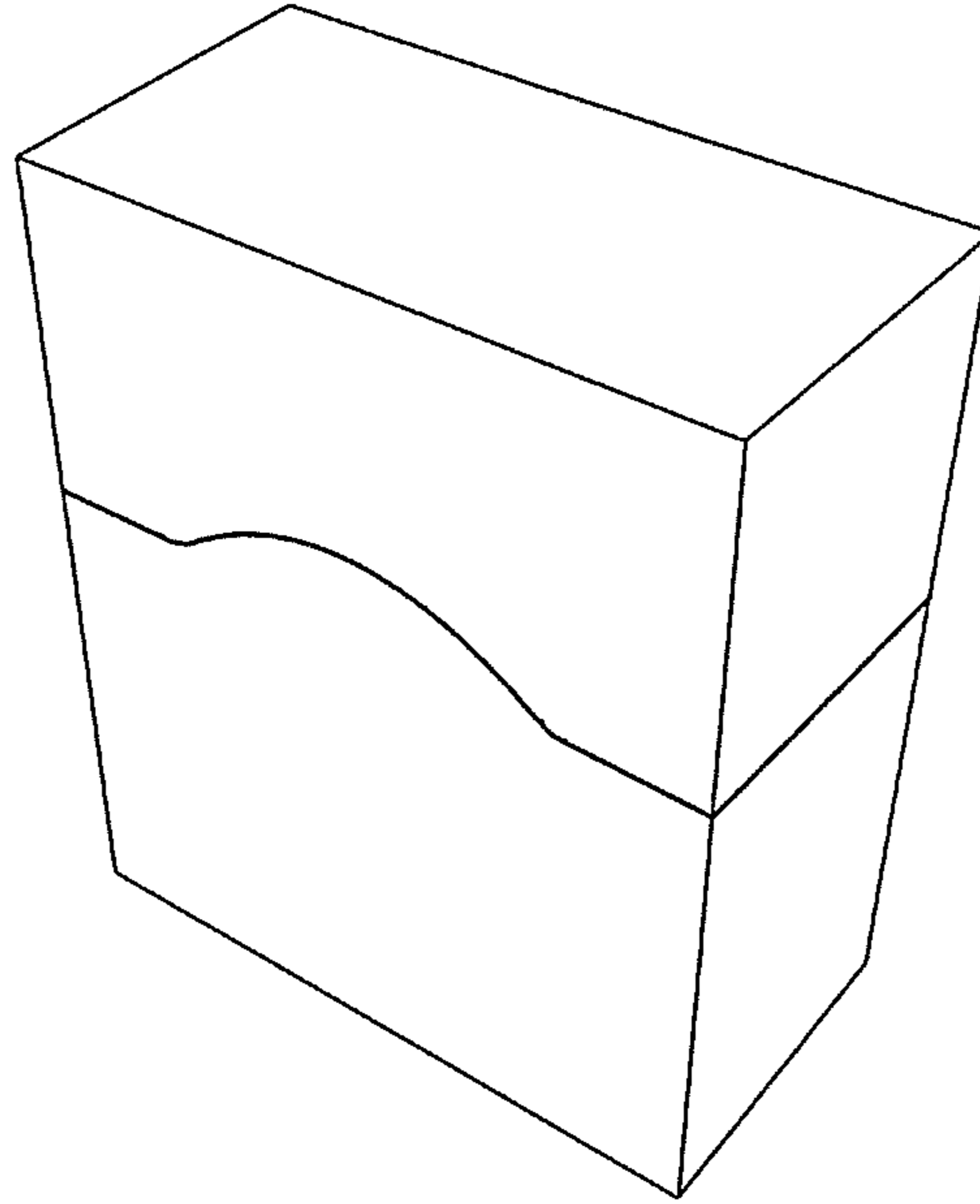


FIG. 2

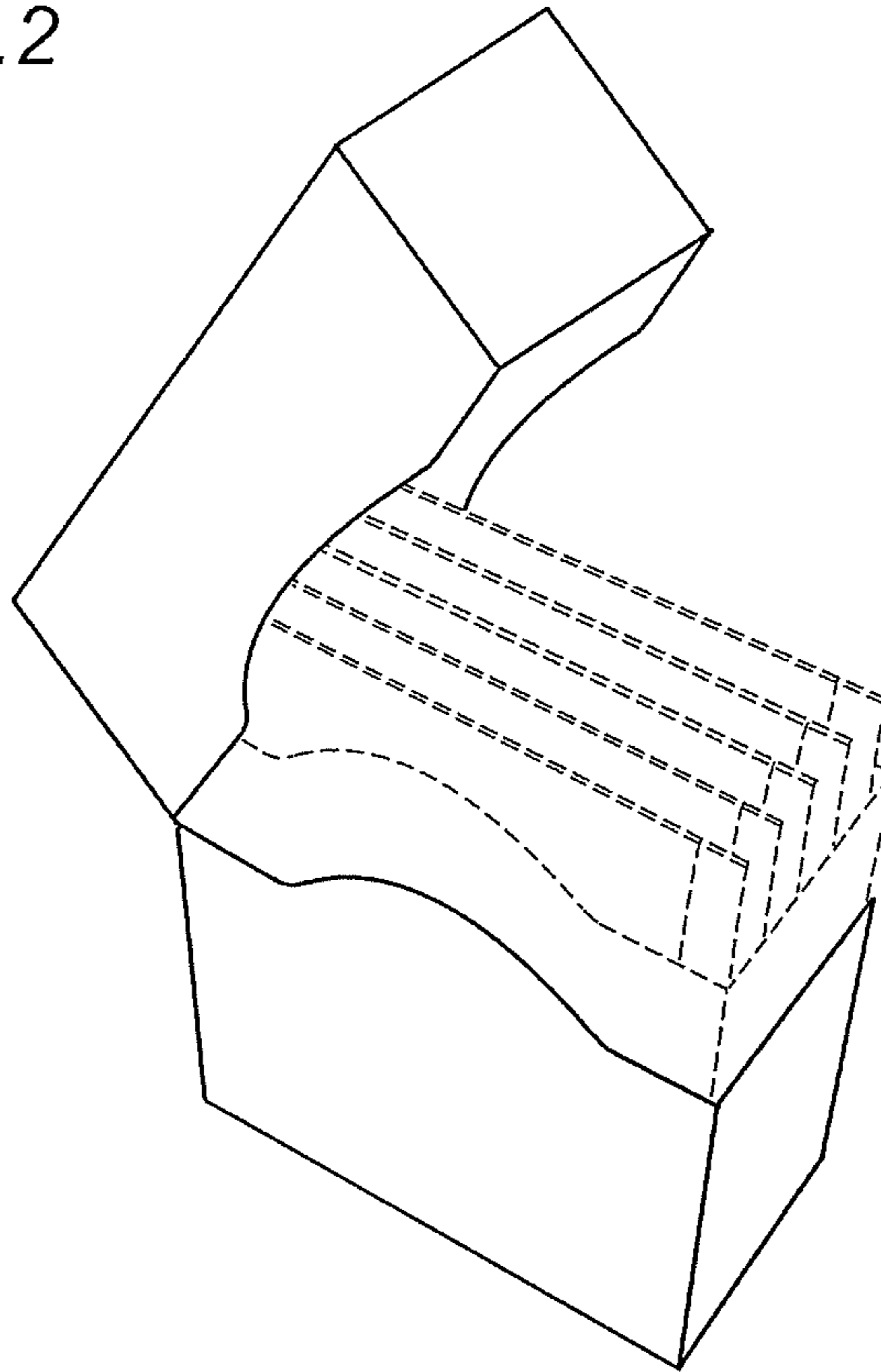


FIG.3

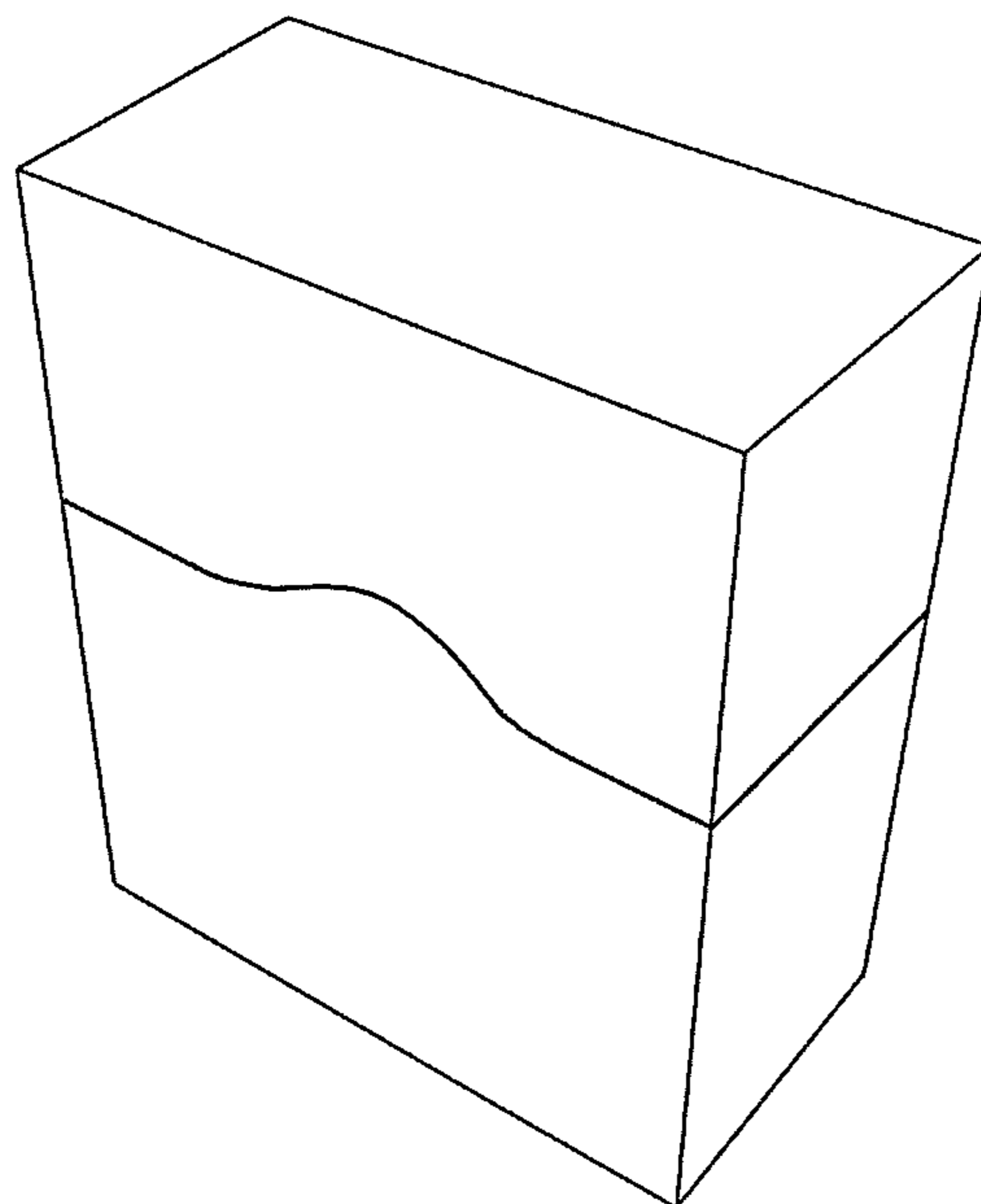


FIG.4

