



US00D683238S

(12) **United States Design Patent**  
**You**

(10) **Patent No.:** **US D683,238 S**  
(45) **Date of Patent:** **\*\* May 28, 2013**

(54) **COSMETIC CONTAINER**

(75) Inventor: **Injung You**, Seoul (KR)

(73) Assignee: **Amorepacific Corporation**, Seoul (KR)

(\*\*) Term: **14 Years**

(21) Appl. No.: **29/408,722**

(22) Filed: **Dec. 15, 2011**

(30) **Foreign Application Priority Data**

Oct. 18, 2011 (KR) ..... 30-2011-0043215

(51) **LOC (9) Cl.** ..... **09-01**

(52) **U.S. Cl.**  
USPC ..... **D9/688**

(58) **Field of Classification Search** ..... D9/600-681,  
D9/682-694, 500-505, 719, 723-729, 516-548,  
D9/549-575, 434-454; D28/5, 76, 77, 91.1;  
215/379-385; 220/662, 665, 669-675; 222/129,  
222/135, 153.01, 153.03, 153.04, 153.09,  
222/153.11-153.14, 182, 631, 635, 209,  
222/211-213, 215, 321.7-321.9, 372, 373,  
222/378, 379, 383.1, 384-386, 398, 400.7,  
222/400.8, 401, 402.1-402.25

See application file for complete search history.

(56) **References Cited**

U.S. PATENT DOCUMENTS

D92,169 S \* 5/1934 Gage ..... D28/88  
D253,221 S \* 10/1979 Flower et al. .... D9/529  
D364,669 S \* 11/1995 Winner ..... D22/117  
D365,759 S \* 1/1996 Otani et al. .... D9/504  
D400,783 S \* 11/1998 de Mourgues ..... D9/691  
D405,358 S \* 2/1999 Dapsanse ..... D9/663  
D406,054 S \* 2/1999 Wagner ..... D9/725  
5,950,880 A \* 9/1999 Garcia ..... 222/321.7  
D422,902 S \* 4/2000 Kikuchi ..... D9/689

D437,212 S \* 2/2001 Adachi et al. .... D9/686  
D465,410 S \* 11/2002 Kikuchi ..... D9/691  
6,648,244 B2 \* 11/2003 Yu ..... 239/323  
D521,386 S \* 5/2006 Priestman ..... D9/529  
D532,936 S \* 11/2006 Bakic ..... D28/76  
D570,707 S \* 6/2008 Blasko et al. .... D9/689  
D615,874 S \* 5/2010 Nagata ..... D9/689  
D637,910 S \* 5/2011 Yeung ..... D9/504  
D639,166 S \* 6/2011 Carreno ..... D9/504

FOREIGN PATENT DOCUMENTS

JP D1385746 \* 4/2010  
KR 300432188.0000 \* 12/2006  
KR 300440157.0001 \* 2/2007  
KR 300496257.0000 \* 6/2008  
KR 300524537.0000 \* 3/2009  
KR 300528803.0001 \* 5/2009  
KR 300544812.0001 \* 11/2009  
KR 300556441.0000 \* 3/2010  
KR 300569502.0000 \* 8/2010  
KR 300609207.0000 \* 8/2011

\* cited by examiner

*Primary Examiner* — Catherine Tuttle

(74) *Attorney, Agent, or Firm* — Maxon IP LLC.; Justin H. Kim

(57) **CLAIM**

The ornamental design for a cosmetic container, as shown and described.

**DESCRIPTION**

FIG. 1 is a perspective view of a cosmetic container;  
FIG. 2 is a front view of the cosmetic container of FIG. 1;  
FIG. 3 is a left-side view of the cosmetic container of FIG. 1;  
FIG. 4 is a top view of the cosmetic container of FIG. 1;  
FIG. 5 is a bottom view of the cosmetic container of FIG. 1;  
and,  
FIG. 6 is a perspective view of the cosmetic container of FIG. 1 when the lid is detached.

**1 Claim, 5 Drawing Sheets**

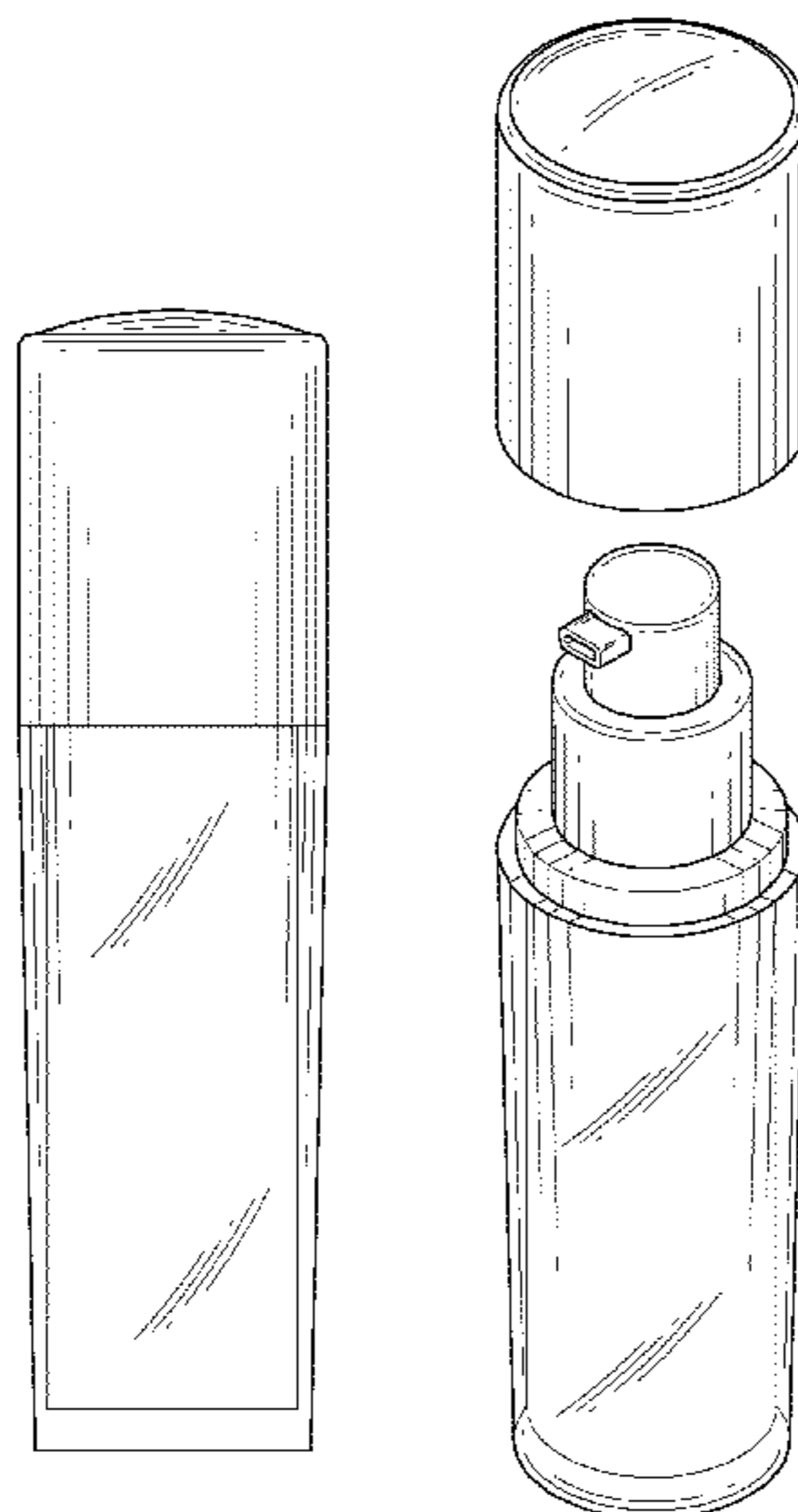


FIG. 1

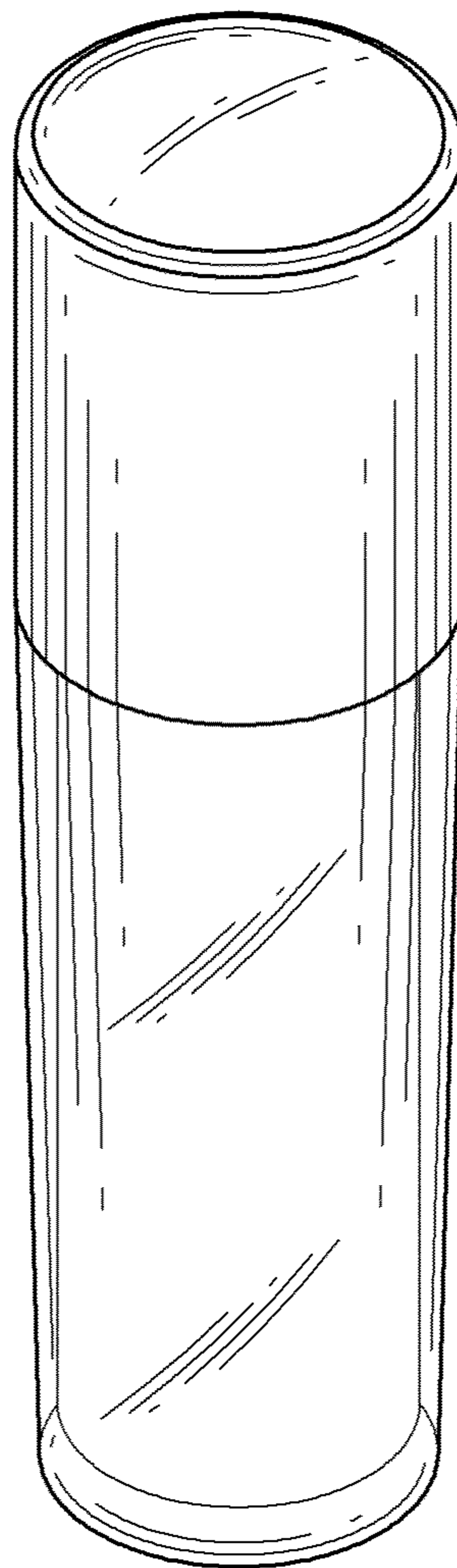


FIG. 2

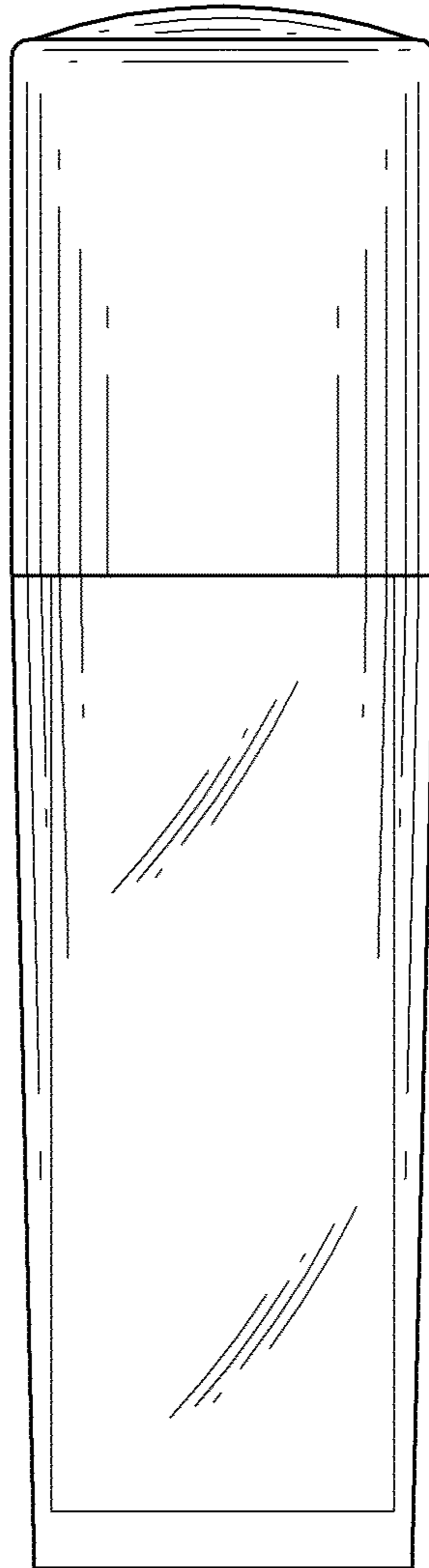


FIG. 3

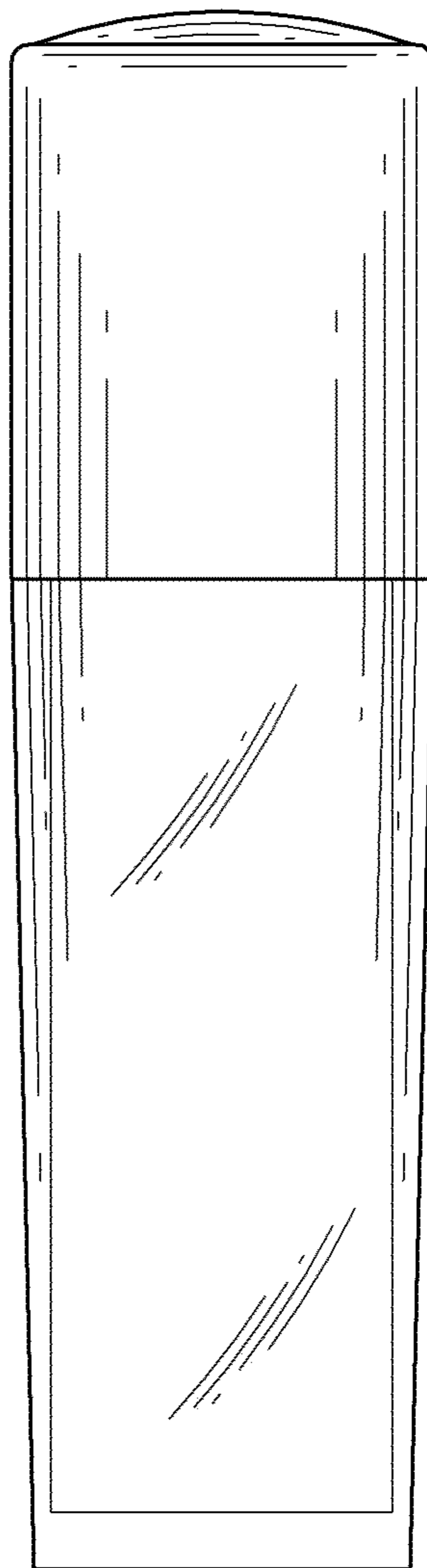


FIG. 4

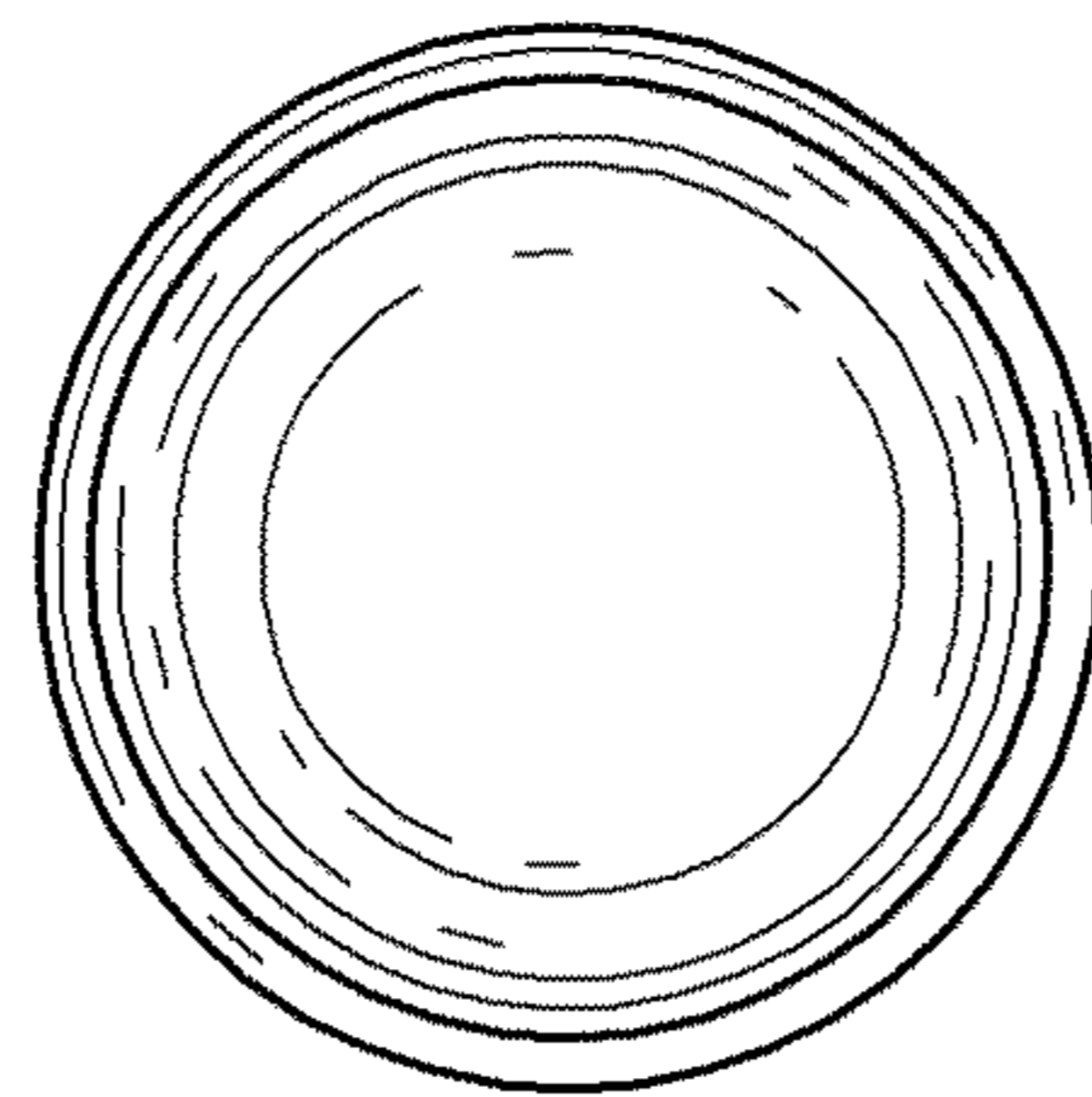


FIG. 5

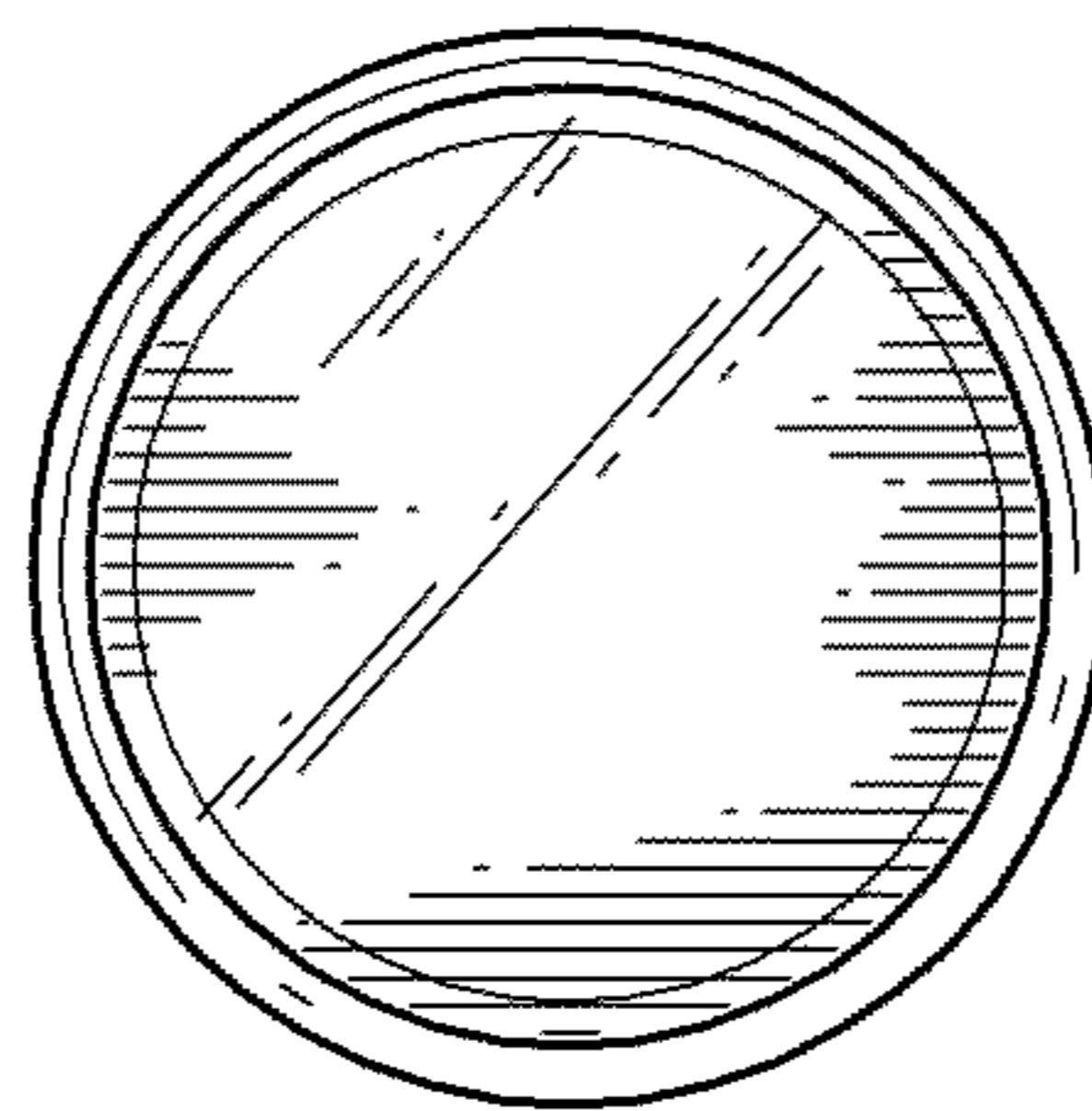


FIG. 6

