



US00D683226S

(12) **United States Design Patent**  
**Baldrige et al.**

(10) **Patent No.:** **US D683,226 S**

(45) **Date of Patent:** **\*\* May 28, 2013**

(54) **BOTTLE WITH CAP**

(71) Applicant: **The Procter & Gamble Company,**  
Cincinnati, OH (US)

(72) Inventors: **Devin William Baldrige,** Cincinnati,  
OH (US); **Ian Andrew Carnduff,** New  
York, NY (US); **Paul Frank Diehl,**  
Brooklyn, NY (US)

(73) Assignee: **The Procter & Gamble Company,**  
Cincinnati, OH (US)

(\*\*) Term: **14 Years**

(21) Appl. No.: **29/438,169**

(22) Filed: **Nov. 27, 2012**

**Related U.S. Application Data**

(62) Division of application No. 29/389,585, filed on Apr.  
13, 2011.

(51) **LOC (9) Cl.** ..... **09-01**

(52) **U.S. Cl.**  
USPC ..... **D9/542; D9/558; D9/449**

(58) **Field of Classification Search**  
USPC ..... D9/516, 521-522, 529-530, 537,  
D9/540, 543-544, 549, 558, 571-575, 695,  
D9/435, 444-445, 449; 215/382-384; 220/660,  
220/669, 675  
See application file for complete search history.

(56) **References Cited**

**U.S. PATENT DOCUMENTS**

D220,248 S \* 3/1971 Blumenthal ..... D9/542  
5,816,451 A \* 10/1998 Renault ..... 222/215

D446,121 S *	8/2001	Maddy .....	D9/545 X
D448,678 S *	10/2001	Bakic .....	D9/574
D467,807 S *	12/2002	Bakic .....	D9/521
D502,400 S *	3/2005	Cinquino et al. ....	D9/521
D505,079 S *	5/2005	Mulder et al. ....	D9/542
D525,872 S *	8/2006	Haubert et al. ....	D9/558 X
D525,873 S *	8/2006	Haubert et al. ....	D9/529
D527,637 S *	9/2006	Bakic .....	D9/521
D528,005 S *	9/2006	Bakic .....	D9/529
D529,388 S *	10/2006	Bakic .....	D9/529
D529,810 S *	10/2006	Davies et al. ....	D9/529
D533,784 S *	12/2006	Bakic .....	D9/529
D601,425 S *	10/2009	Miller et al. ....	D9/522
D608,648 S *	1/2010	Rhodes et al. ....	D9/529
D641,633 S *	7/2011	Carnduff et al. ....	D9/521
D644,106 S *	8/2011	Almstead et al. ....	D9/522
D646,170 S *	10/2011	Carnduff et al. ....	D9/521
D660,181 S *	5/2012	Nowacek et al. ....	D9/729
D660,704 S *	5/2012	Simmons et al. ....	D9/449 X
D660,705 S *	5/2012	Simmons et al. ....	D9/449 X

\* cited by examiner

*Primary Examiner* — Carol P Rademaker

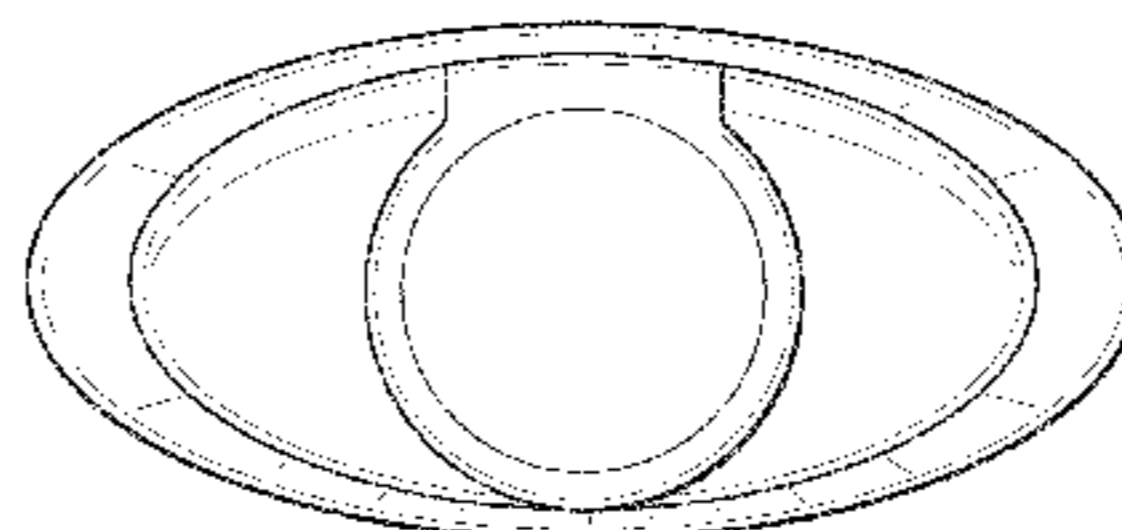
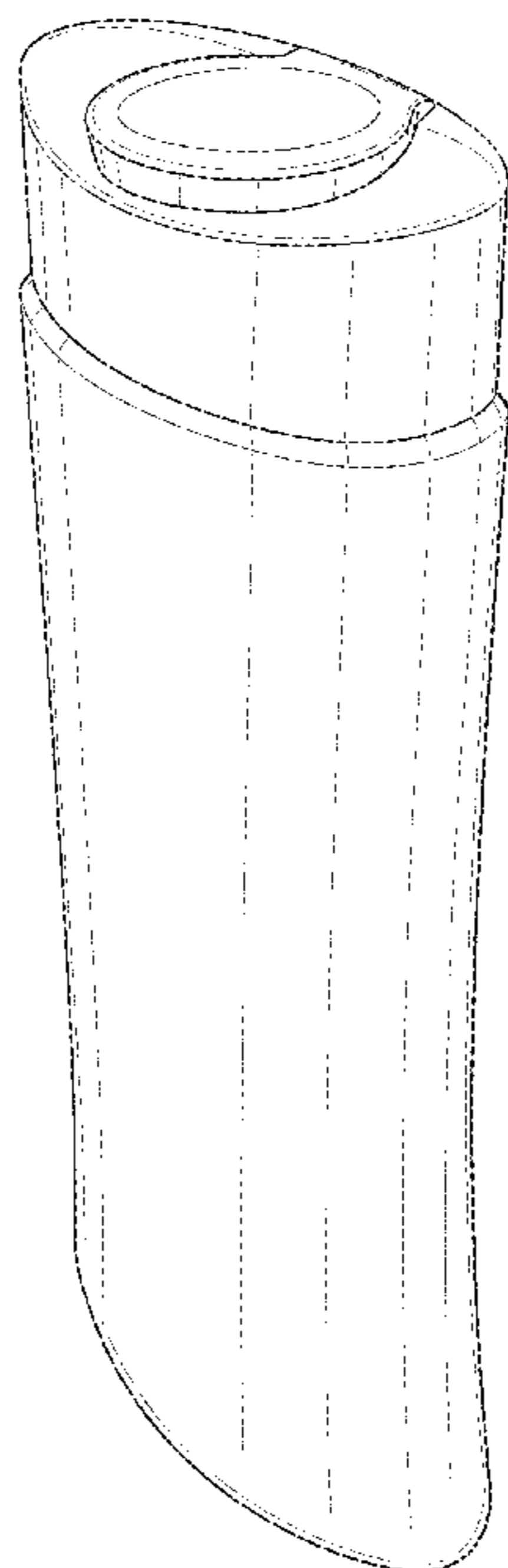
(57) **CLAIM**

The ornamental design for a bottle with cap, as shown and described.

**DESCRIPTION**

FIG. 1 is a top, front, right side perspective view of a bottle with cap embodying our new design;  
FIG. 2 is a front elevational view thereof;  
FIG. 3 is a left side elevational view thereof;  
FIG. 4 is a right side elevational view thereof;  
FIG. 5 is a rear elevational view thereof;  
FIG. 6 is a top plan view thereof; and,  
FIG. 7 is a bottom plan view thereof.

**1 Claim, 5 Drawing Sheets**



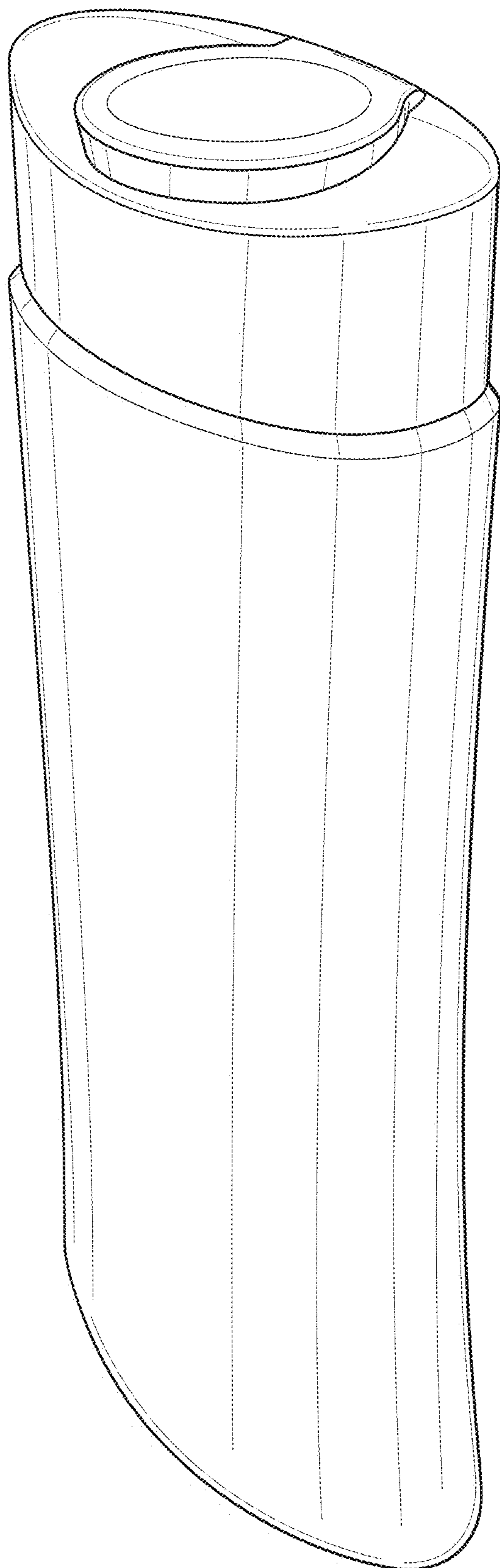


Fig. 1

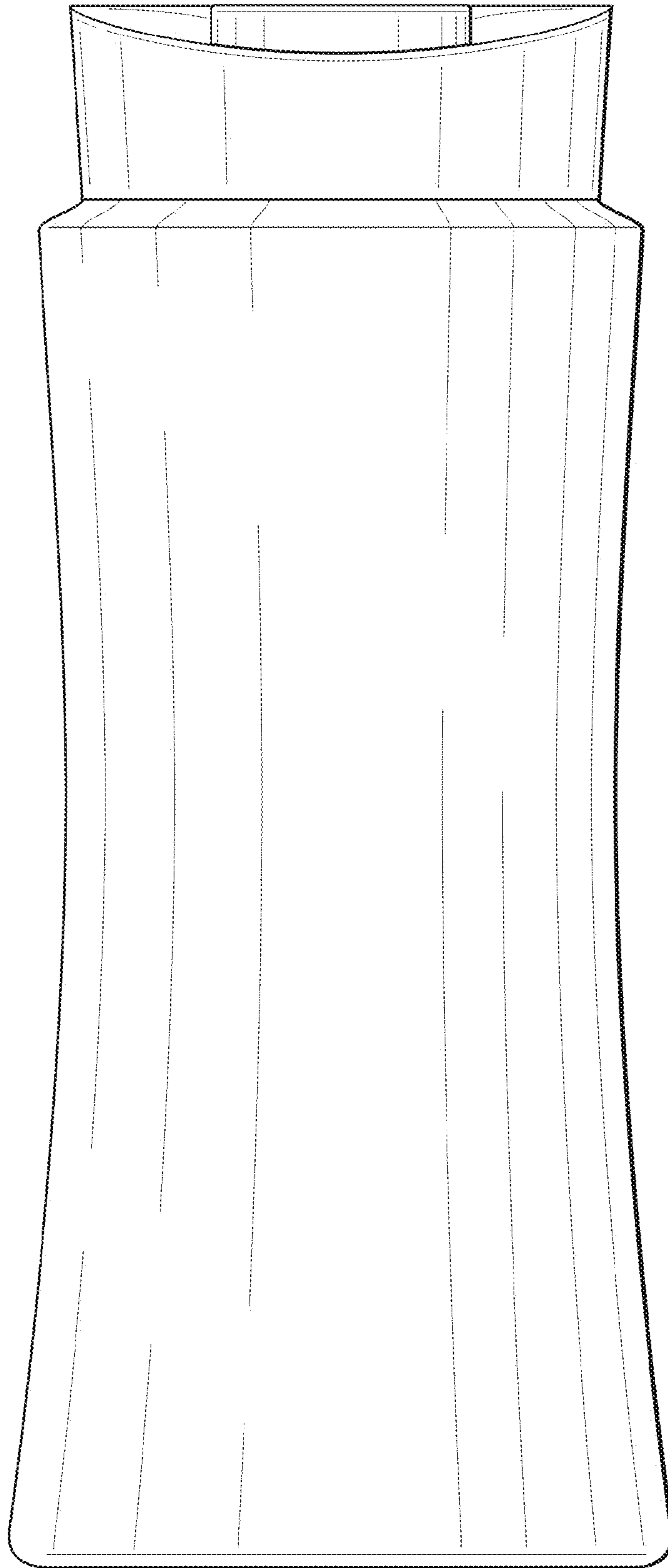


Fig. 2

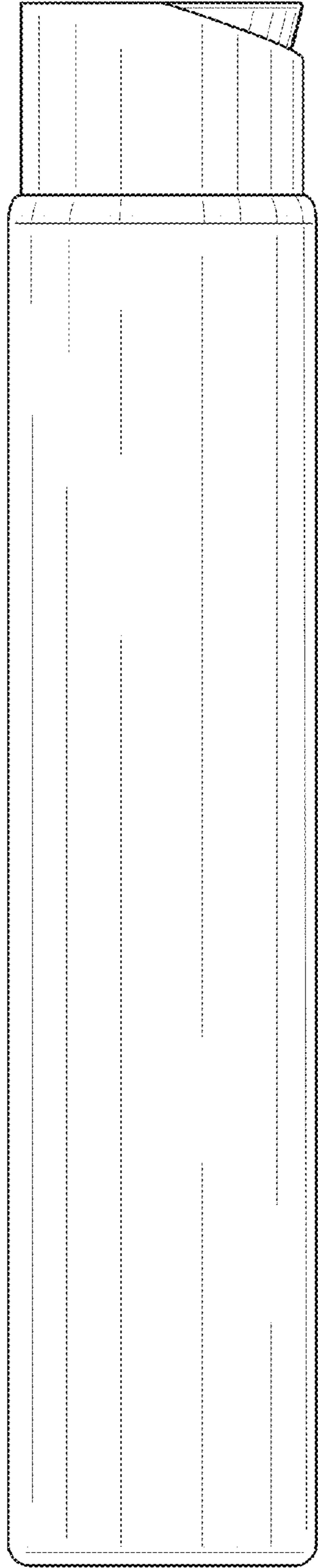


Fig. 3

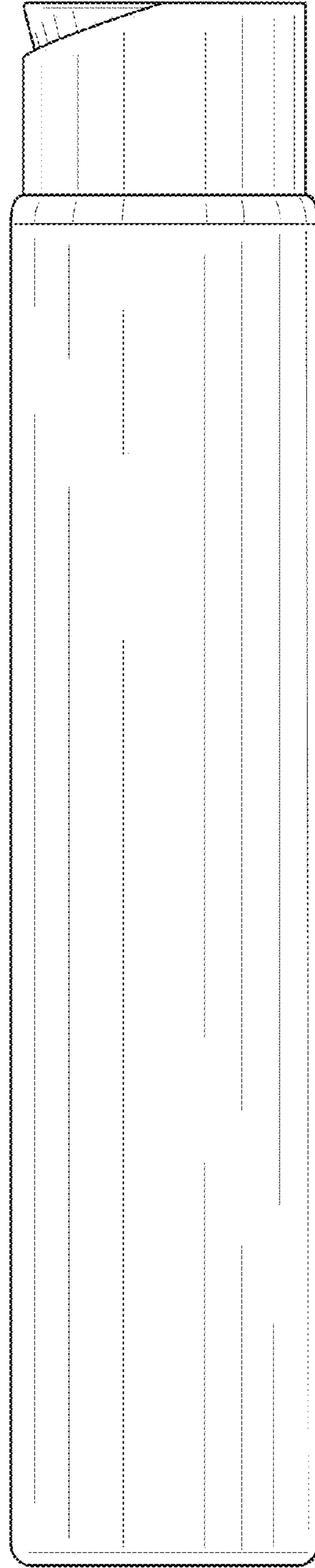


Fig. 4

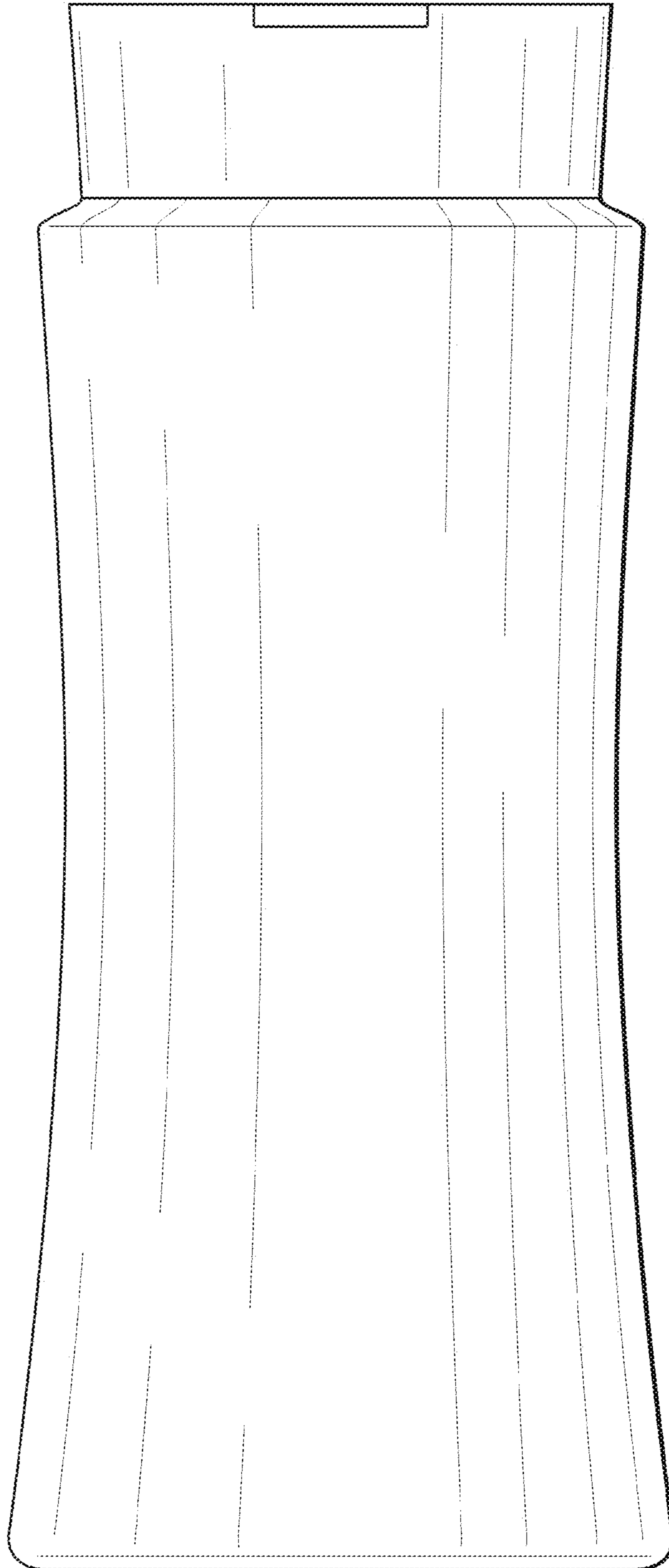


Fig. 5



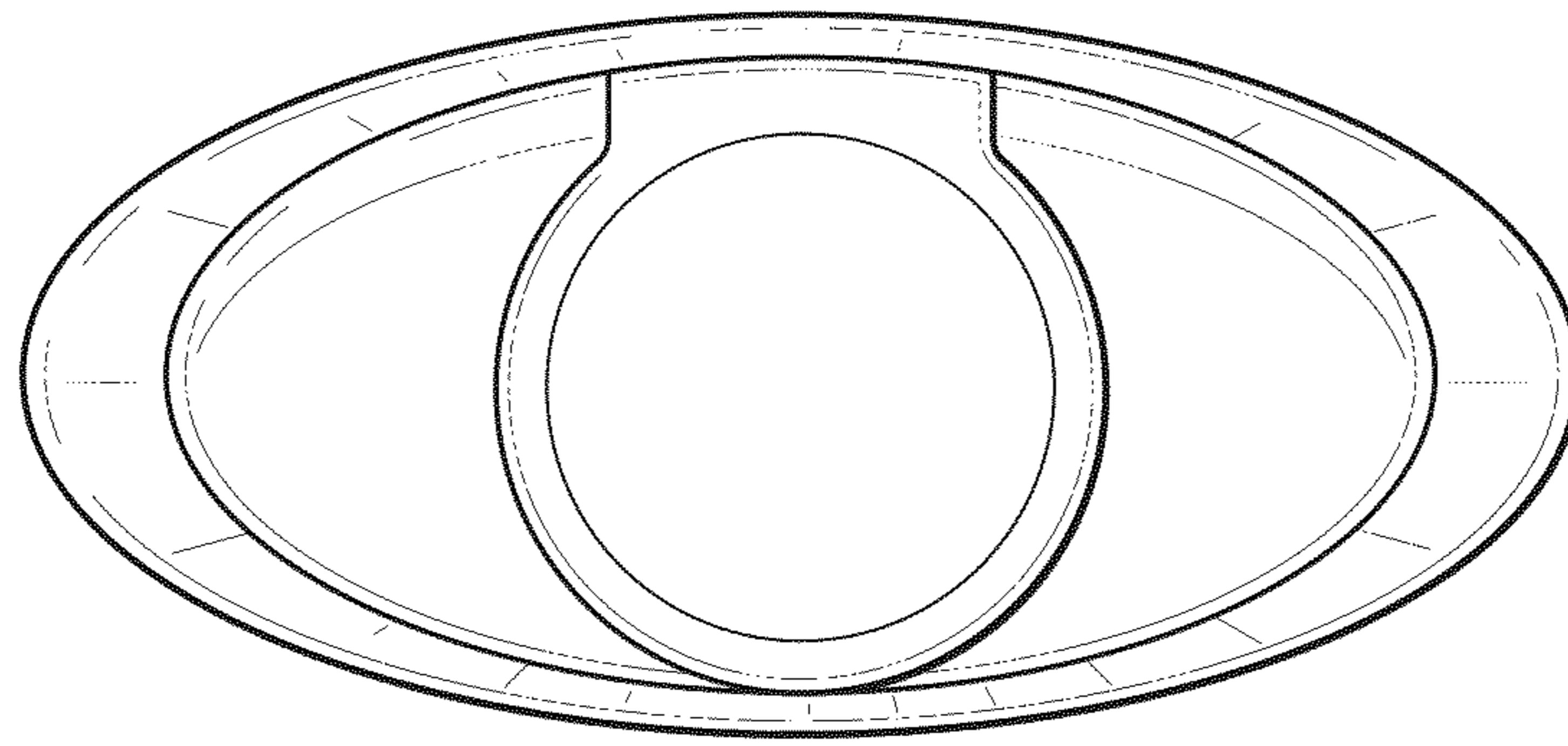


Fig. 6

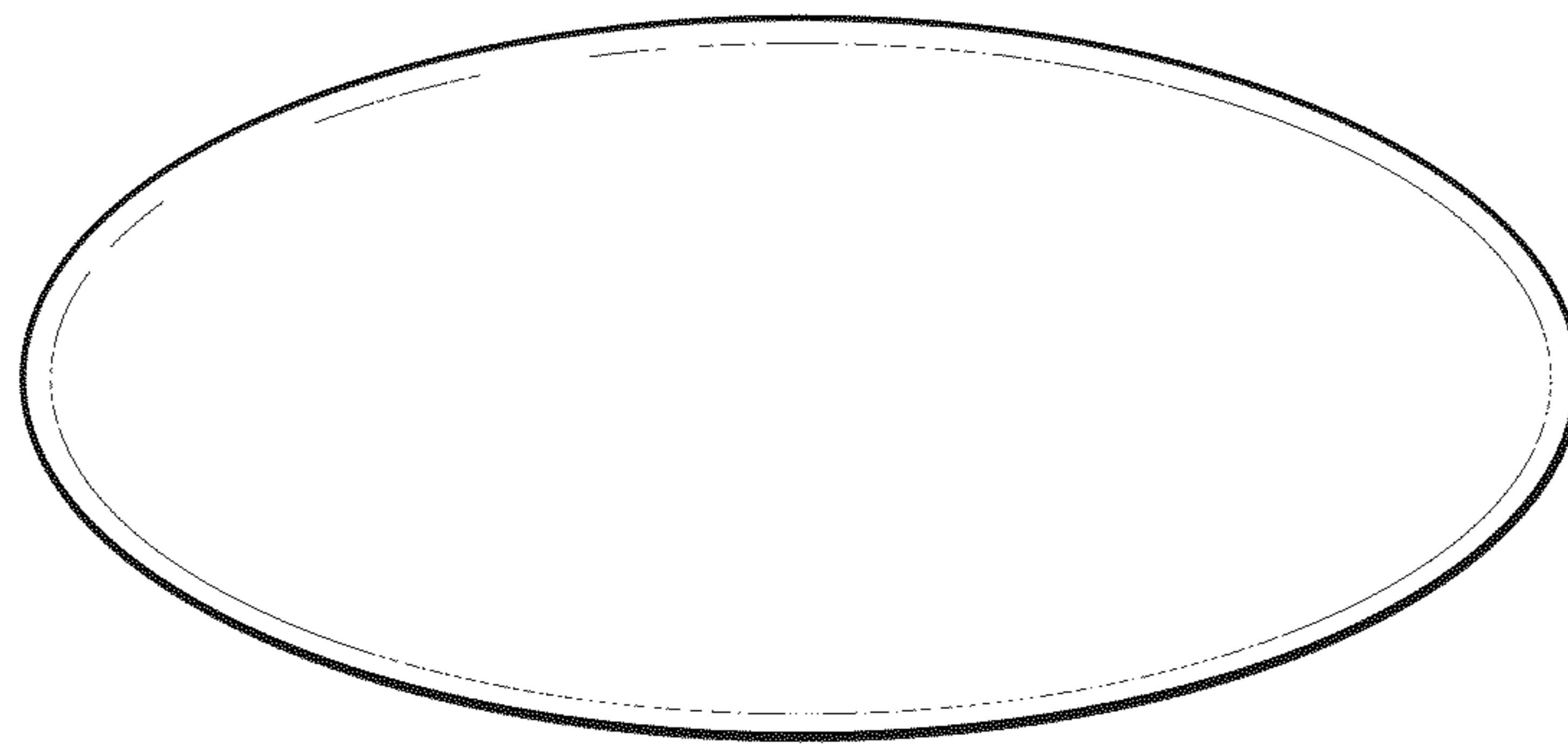


Fig. 7