

US00D683223S

(12) **United States Design Patent**
Haupt

(10) **Patent No.:** **US D683,223 S**

(45) **Date of Patent:** **** May 28, 2013**

(54) **BOTTLE**

(71) Applicant: **Orochemie GmbH & Co. KG,**
Kornwestheim (DE)

(72) Inventor: **Christian Haupt,** Esslingen (DE)

(73) Assignee: **Orochemie GmbH & Co. KG,**
Kornwestheim (DE)

(**) Term: **14 Years**

(21) Appl. No.: **29/444,349**

(22) Filed: **Jan. 30, 2013**

Related U.S. Application Data

(62) Division of application No. 29/394,285, filed on Jun. 15, 2011.

(30) **Foreign Application Priority Data**

Dec. 16, 2010 (EM) 001794470

(51) **LOC (9) Cl.** **09-01**

(52) **U.S. Cl.**
USPC **D9/522; D9/523; D9/575**

(58) **Field of Classification Search**
USPC D9/516, 522-523, 529-530, 541-543,
D9/552, 559, 565, 571, 574-575; 215/379,
215/381-385

See application file for complete search history.

(56) **References Cited**

U.S. PATENT DOCUMENTS

D86,460 S * 3/1932 Keating D9/522
D277,363 S * 1/1985 Drummond et al. D9/543 X
D284,835 S * 7/1986 Banks D9/572
D305,980 S * 2/1990 Binder et al. D9/543
D333,618 S * 3/1993 Patel et al. D9/523 X
D346,555 S * 5/1994 Binder D9/523 X

D355,125 S * 2/1995 Patel et al. D9/522
D355,126 S * 2/1995 Paulovich et al. D9/522
D409,090 S * 5/1999 Lai et al. D9/543 X
D415,687 S * 10/1999 Lai et al. D9/523
D432,920 S * 10/2000 Johnson et al. D9/543
D439,156 S * 3/2001 Hall et al. D9/743
D536,981 S * 2/2007 Toth et al. D9/522
D552,479 S * 10/2007 Mongeon et al. D9/565
D562,140 S * 2/2008 Crabtree et al. D9/575 X
D579,778 S * 11/2008 De Gopegui et al. D9/543 X
D606,411 S * 12/2009 Mongeon et al. D9/575 X
D606,412 S * 12/2009 Schwartz et al. D9/530
D615,411 S * 5/2010 Kuzma et al. D9/565 X
D617,646 S * 6/2010 Kuzma et al. D9/575 X
D619,465 S * 7/2010 Synder D9/571 X
D619,466 S * 7/2010 Synder D9/571 X
D623,532 S * 9/2010 Kuzma et al. D9/574 X
D649,467 S * 11/2011 Sheridan et al. D9/541
D649,474 S * 11/2011 Toh et al. D9/542 X
D658,500 S * 5/2012 Haupt D9/561 X

* cited by examiner

Primary Examiner — Carol P Rademaker

(74) *Attorney, Agent, or Firm* — Harness, Dickey & Pierce, P.L.C.

(57) **CLAIM**

The ornamental design for a bottle, as shown and described.

DESCRIPTION

FIG. 1 is a top, front, left side perspective view of my new design;

FIG. 2 is a front elevational view thereof;

FIG. 3 is a rear elevational view thereof;

FIG. 4 is a right side elevational view thereof;

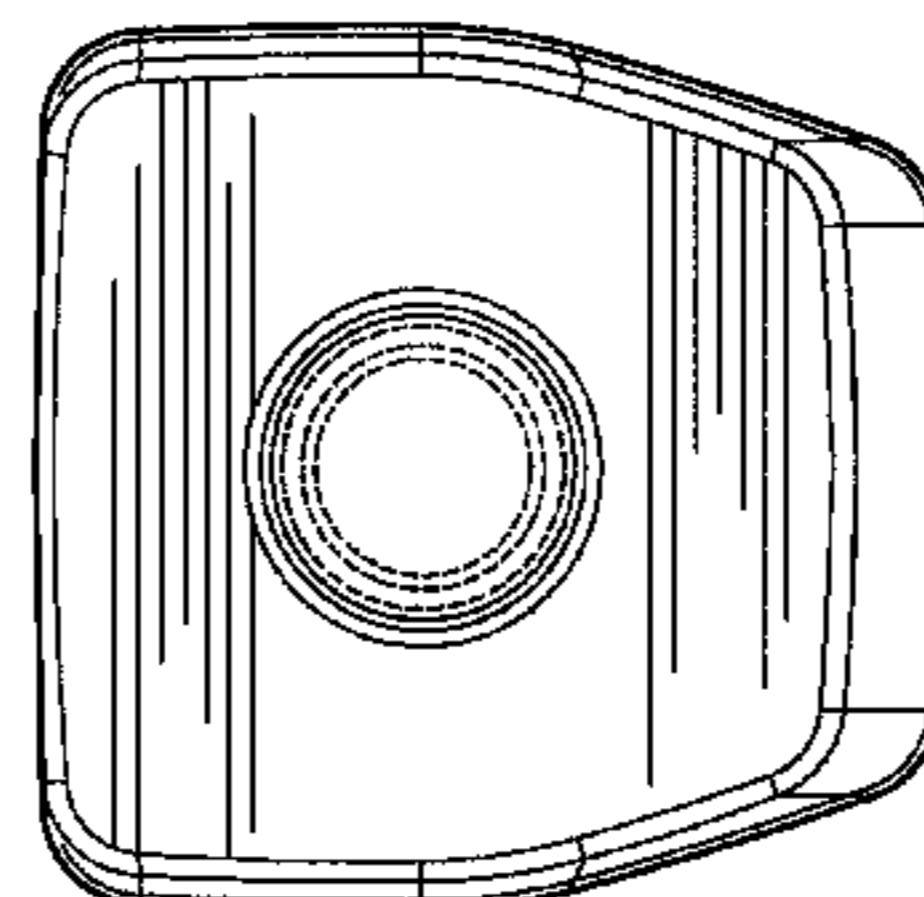
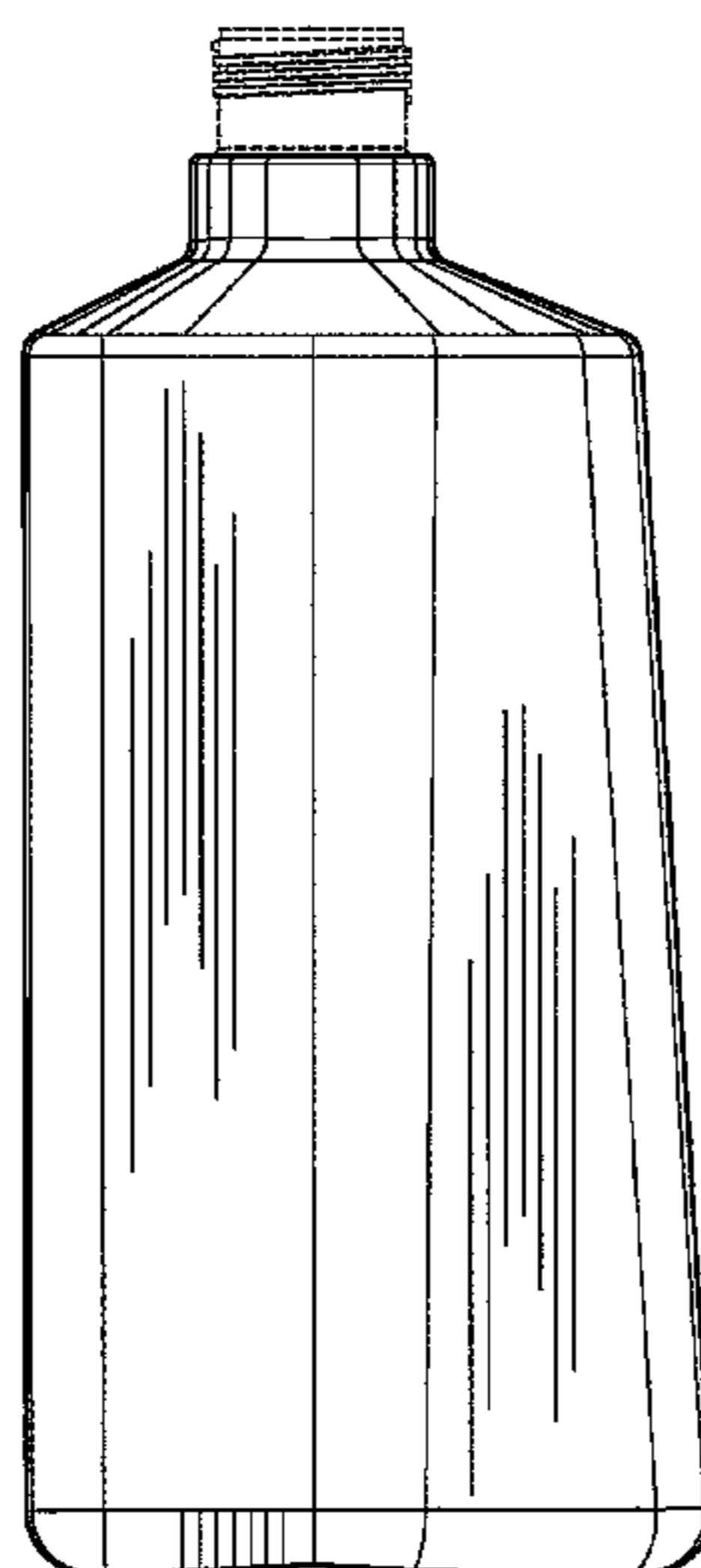
FIG. 5 is a left side elevational view thereof;

FIG. 6 is a top plan view thereof; and,

FIG. 7 is a bottom plan view thereof.

The broken lines shown in the drawing views are included for the purpose of illustrating environmental structure and form no part of the claimed design.

1 Claim, 6 Drawing Sheets



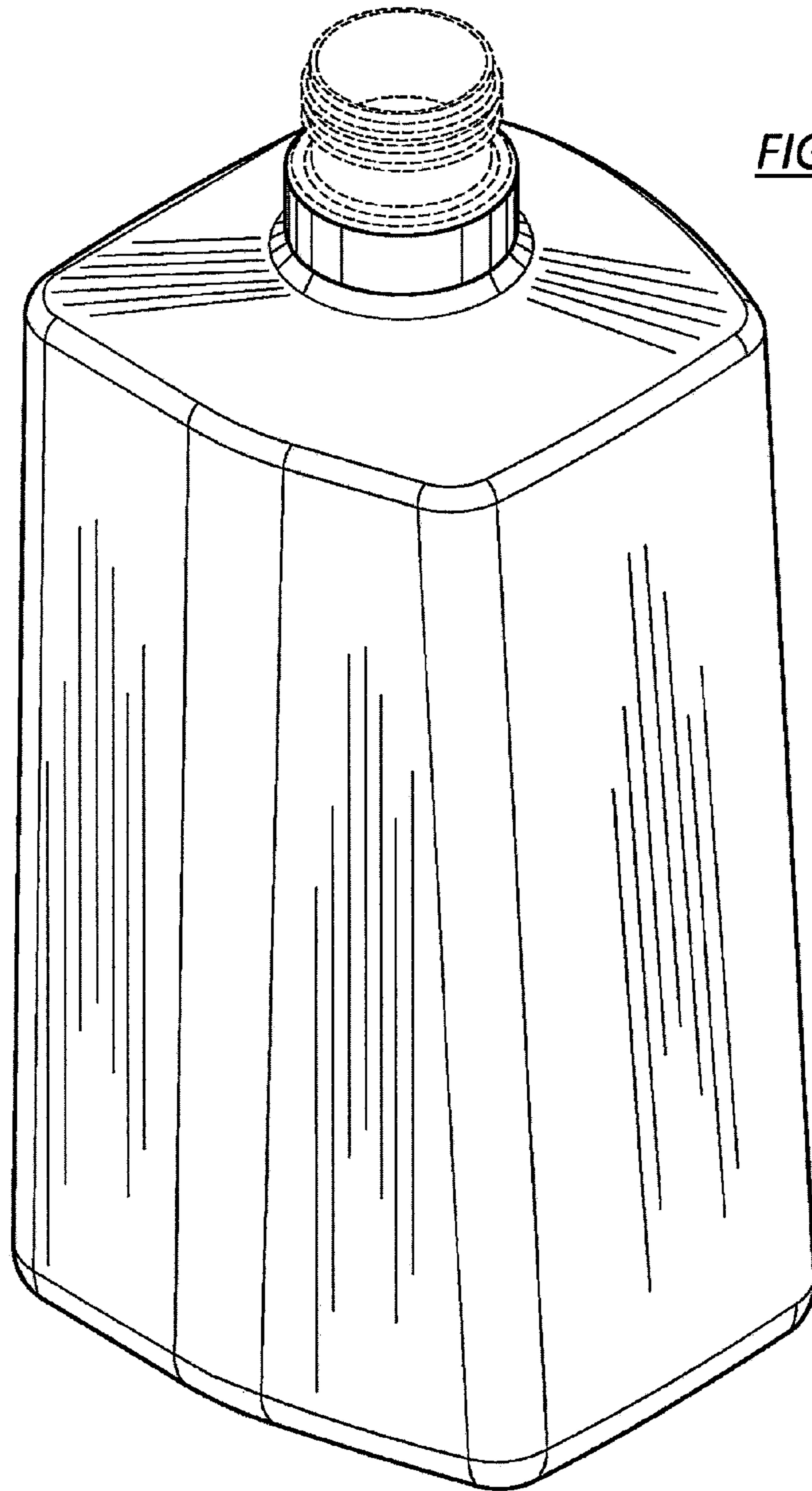


FIG - 1

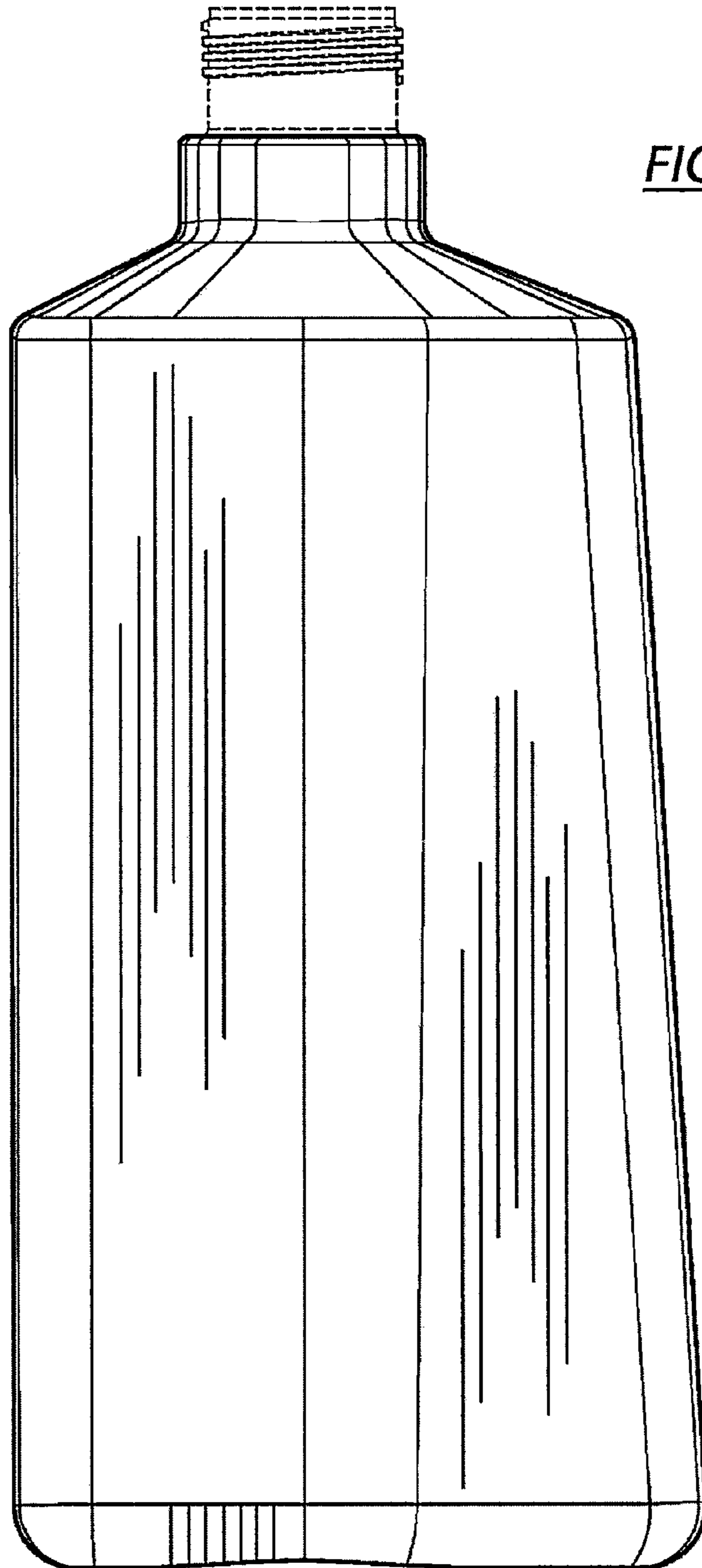
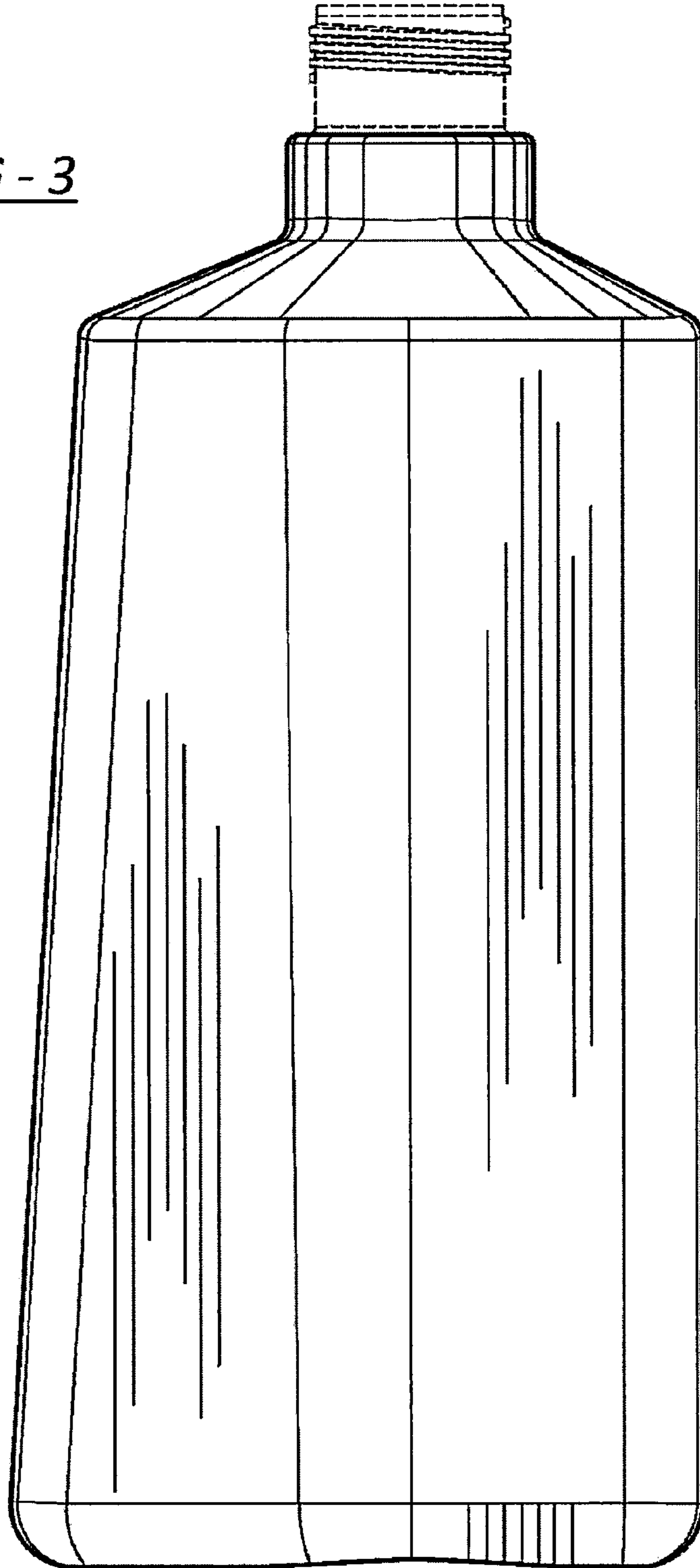


FIG - 2

FIG - 3



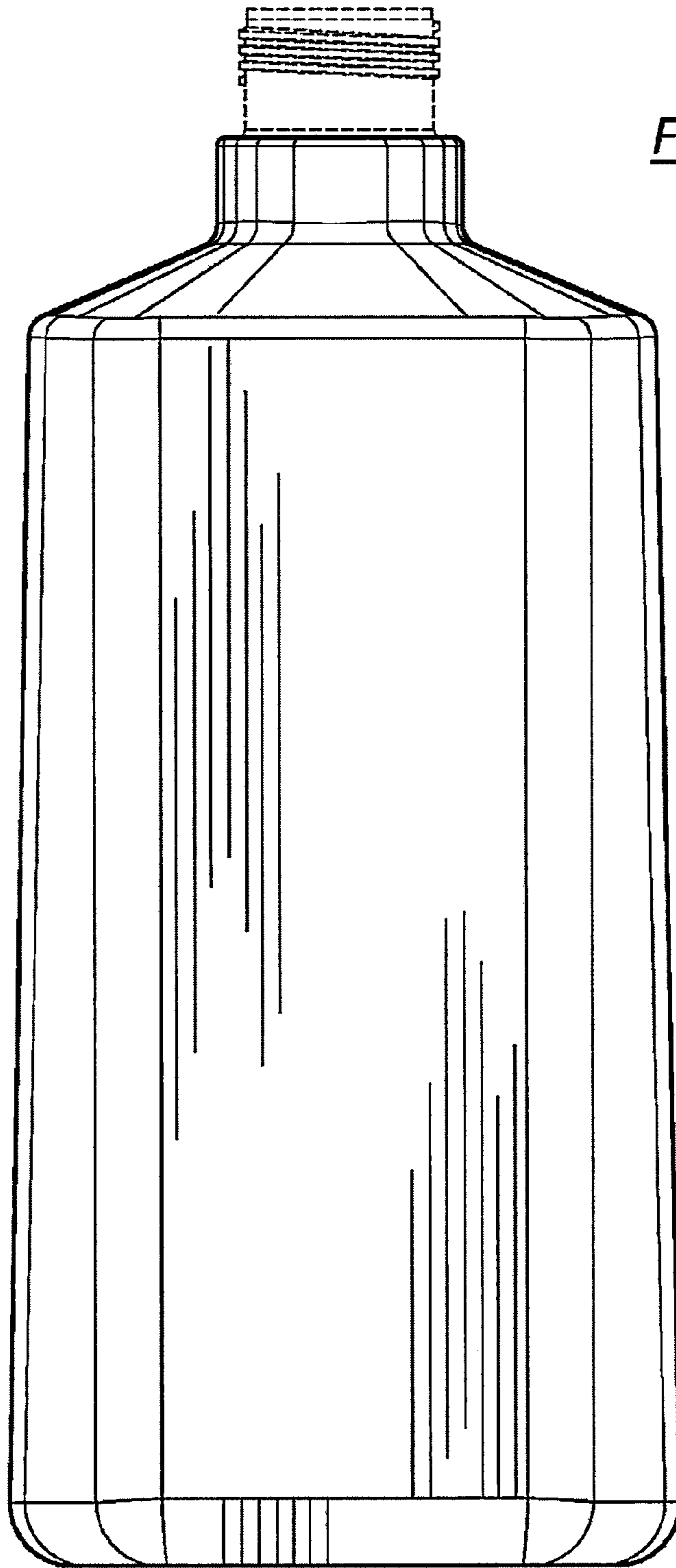


FIG - 4

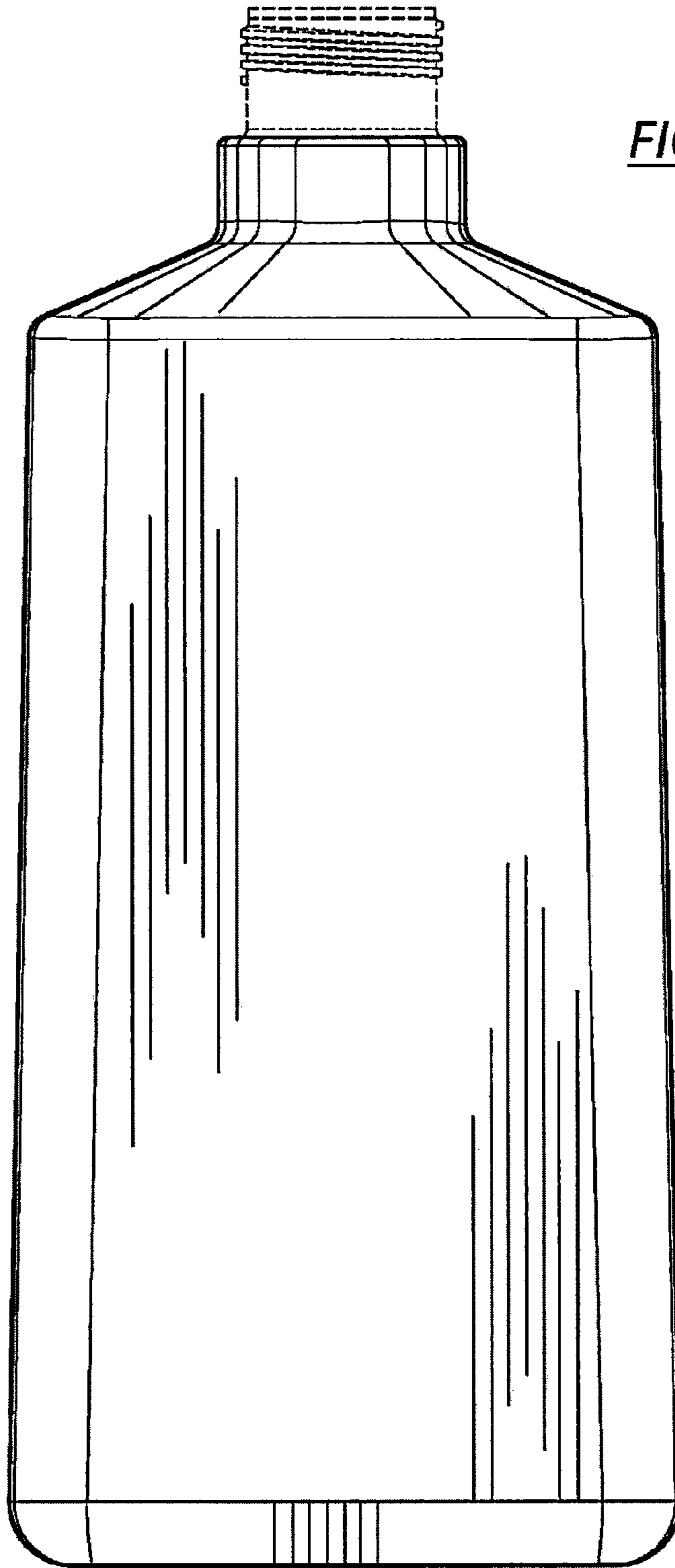


FIG - 5

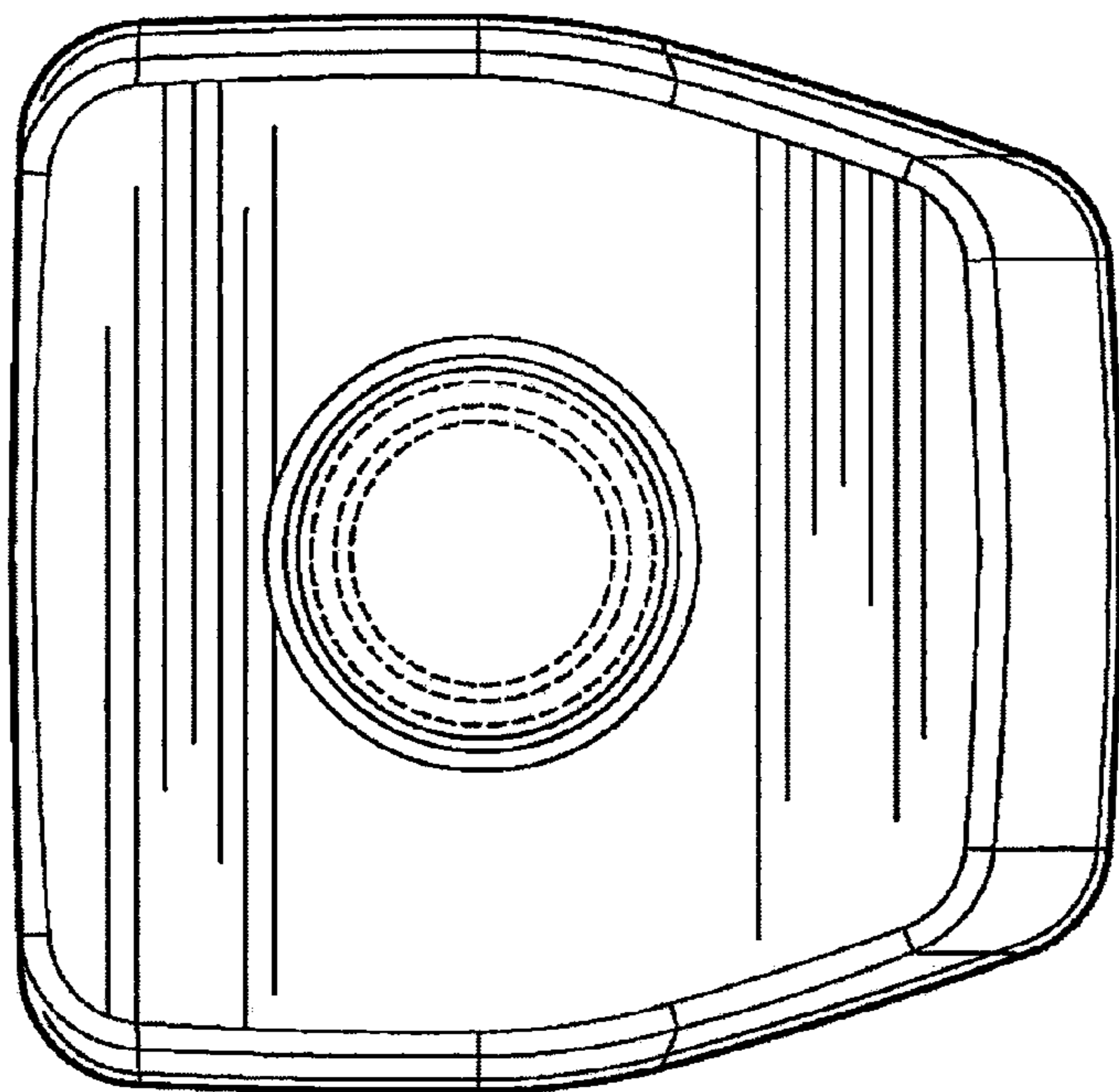


FIG - 6

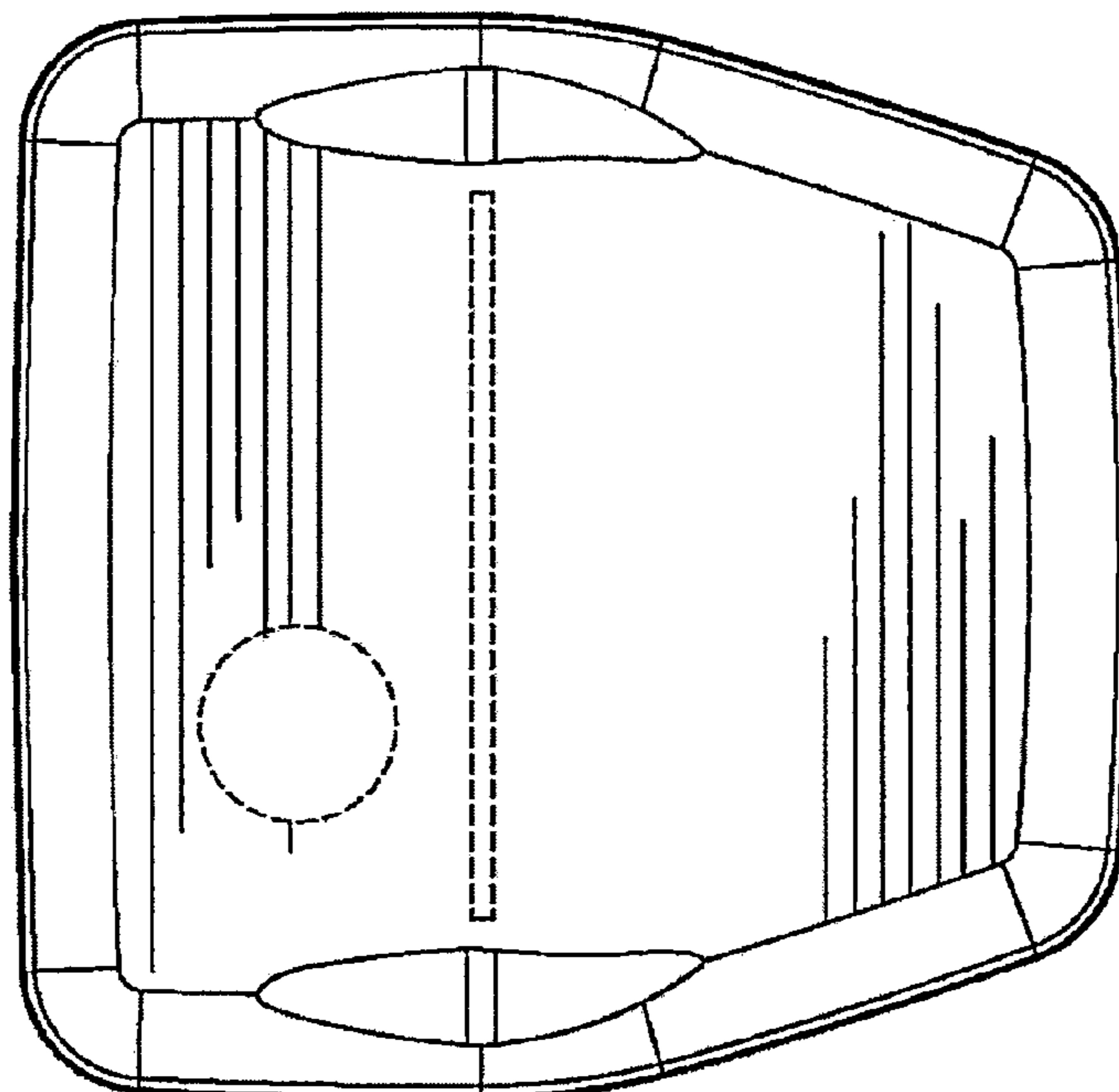


FIG - 7