



US00D683219S

(12) **United States Design Patent**
Schick

(10) **Patent No.:** **US D683,219 S**

(45) **Date of Patent:** **** May 28, 2013**

(54) **SPOUT**

(75) Inventor: **Werner Schick**, Neuenkirchen (DE)

(73) Assignee: **Poppelmann Holding GmbH & Co. KG**, Lohne (DE)

(**) Term: **14 Years**

(21) Appl. No.: **29/396,941**

(22) Filed: **Jul. 8, 2011**

(30) **Foreign Application Priority Data**

Jan. 10, 2011 (EM) 001254007

(51) **LOC (9) Cl.** **09-07**

(52) **U.S. Cl.**
USPC **D9/435; D9/447**

(58) **Field of Classification Search** ... D23/213; D9/435,
D9/447, 450; 222/566; 493/87
See application file for complete search history.

(56) **References Cited**

U.S. PATENT DOCUMENTS

D261,212 S * 10/1981 Mills D7/700
D489,978 S * 5/2004 Brown D9/440
6,958,033 B1 * 10/2005 Malin 493/102

D566,547 S * 4/2008 Lacov D9/435
D580,758 S * 11/2008 Lacov D9/447
7,850,044 B2 * 12/2010 Hildebrand et al. 222/107

* cited by examiner

Primary Examiner — Robin V Webster

(74) *Attorney, Agent, or Firm* — Husch Blackwell LLP;
Robert Haldiman; H. Frederick Rusche

(57) **CLAIM**

I claim the ornamental design for a spout, as shown and described.

DESCRIPTION

FIG. 1 is a front elevation view of a spout according to a first embodiment of the new design;

FIG. 2 is a rear elevation view of the first embodiment;

FIG. 3 is a left side elevation view of the first embodiment. This left side elevation view is substantially similar to the right side view (not shown);

FIG. 4 is a front elevation view of a spout according to a second embodiment;

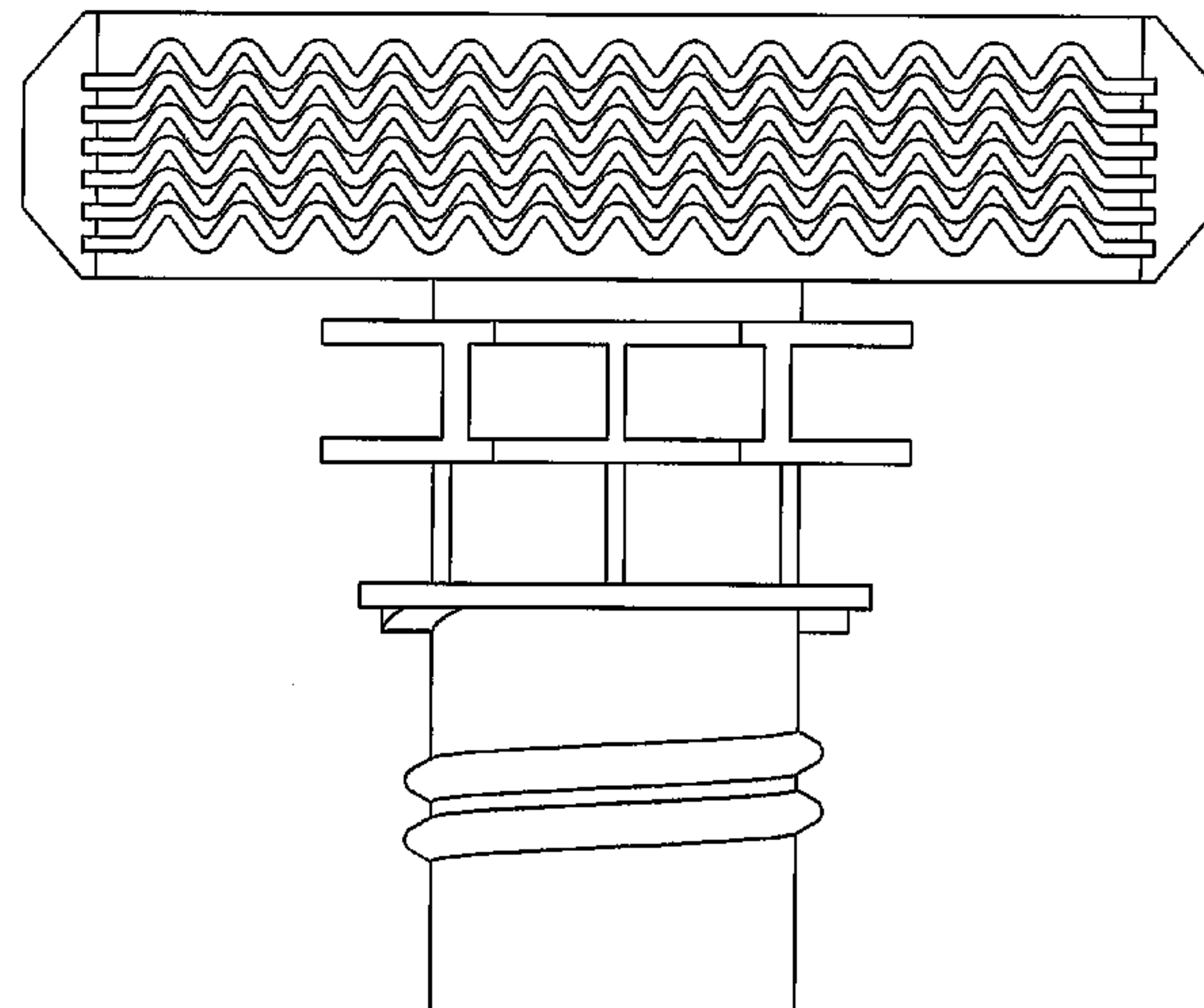
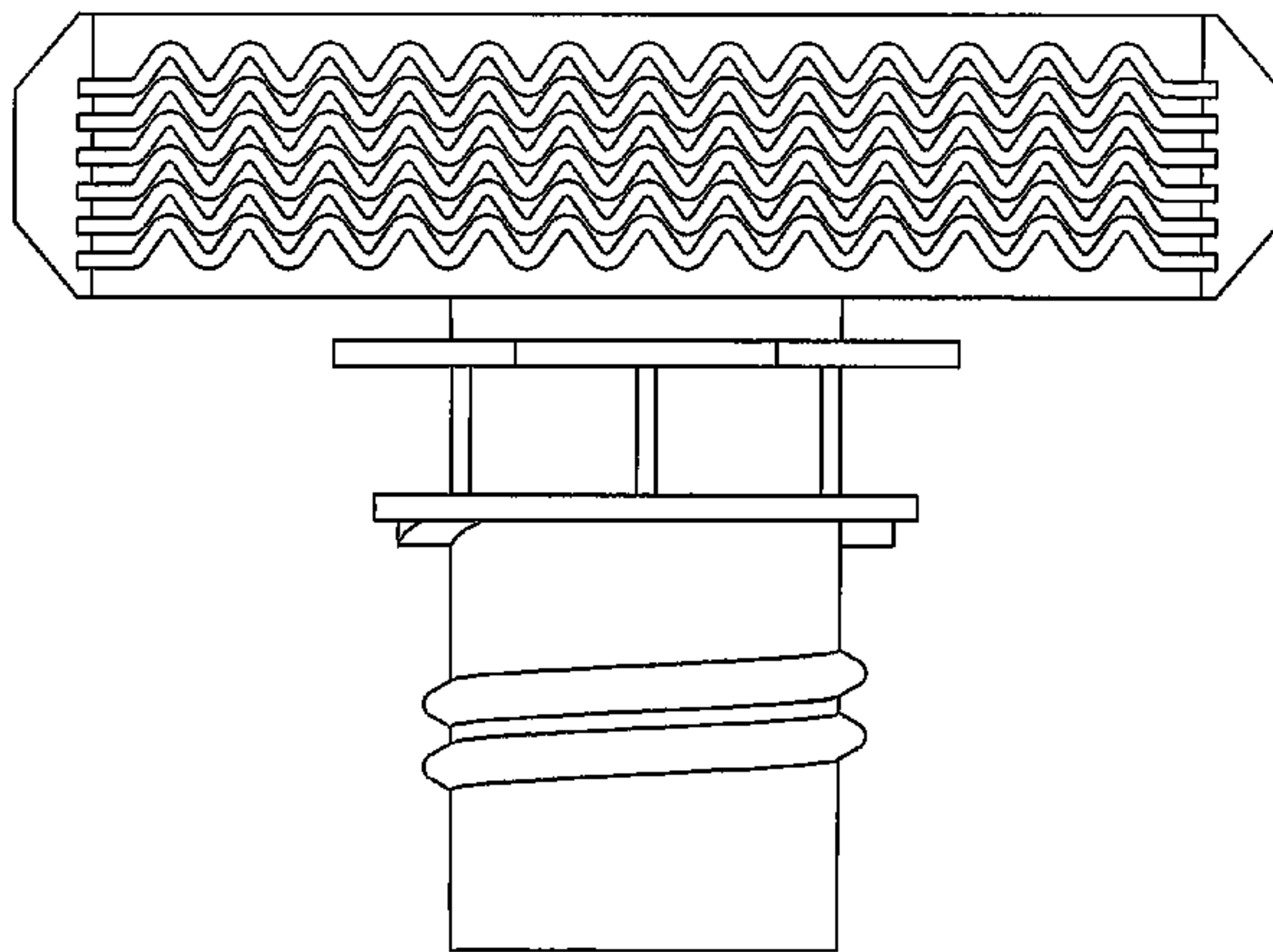
FIG. 5 is a rear elevation view of the second embodiment;

FIG. 6 is a left side elevation view of the second embodiment. This left side elevation view is substantially similar to the right side view (not shown);

FIG. 7 is a front elevation view of a spout according to a third embodiment; and,

FIG. 8 is a front elevation view of a spout according to a fourth embodiment.

1 Claim, 8 Drawing Sheets



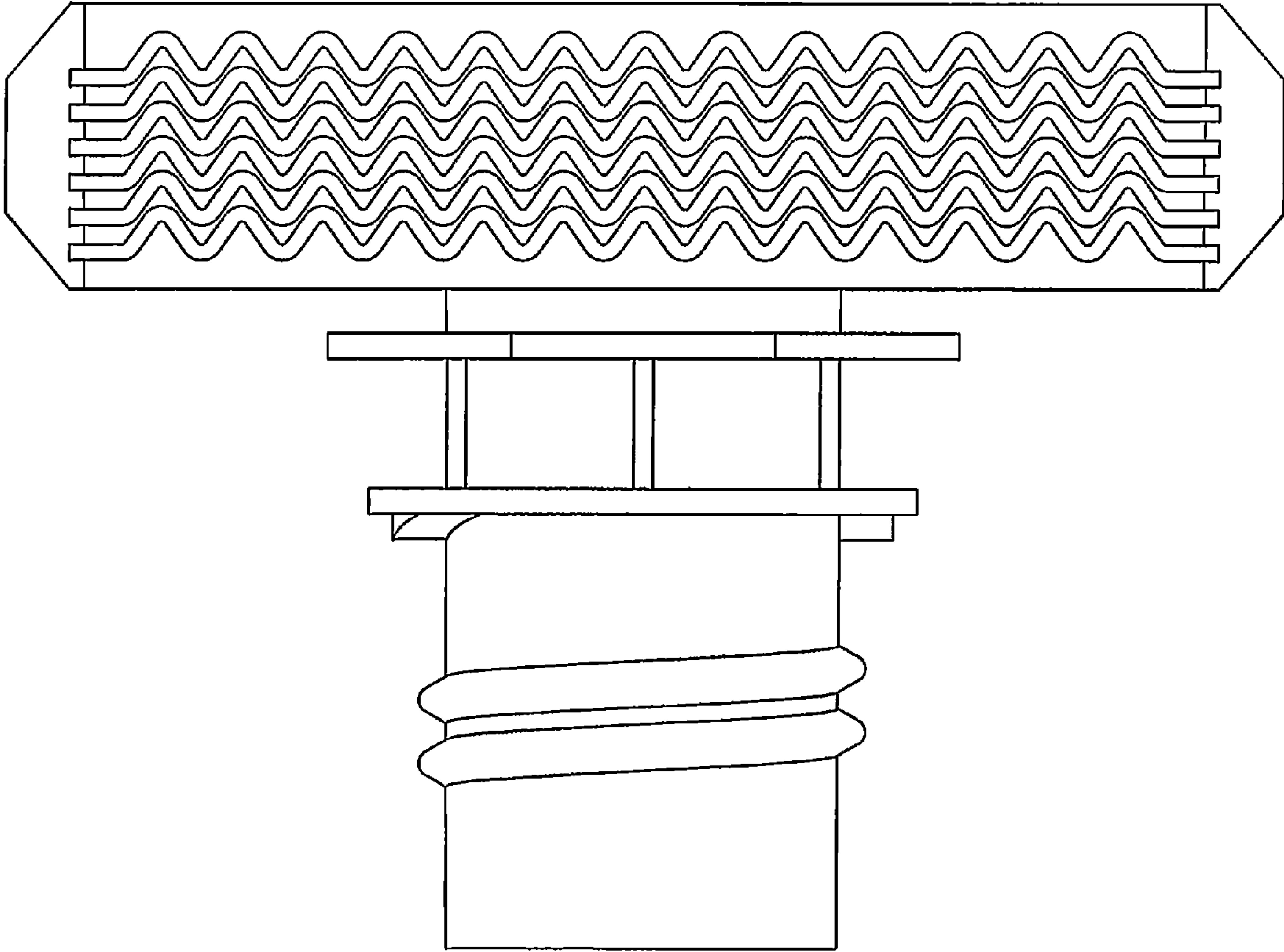


FIG. 1

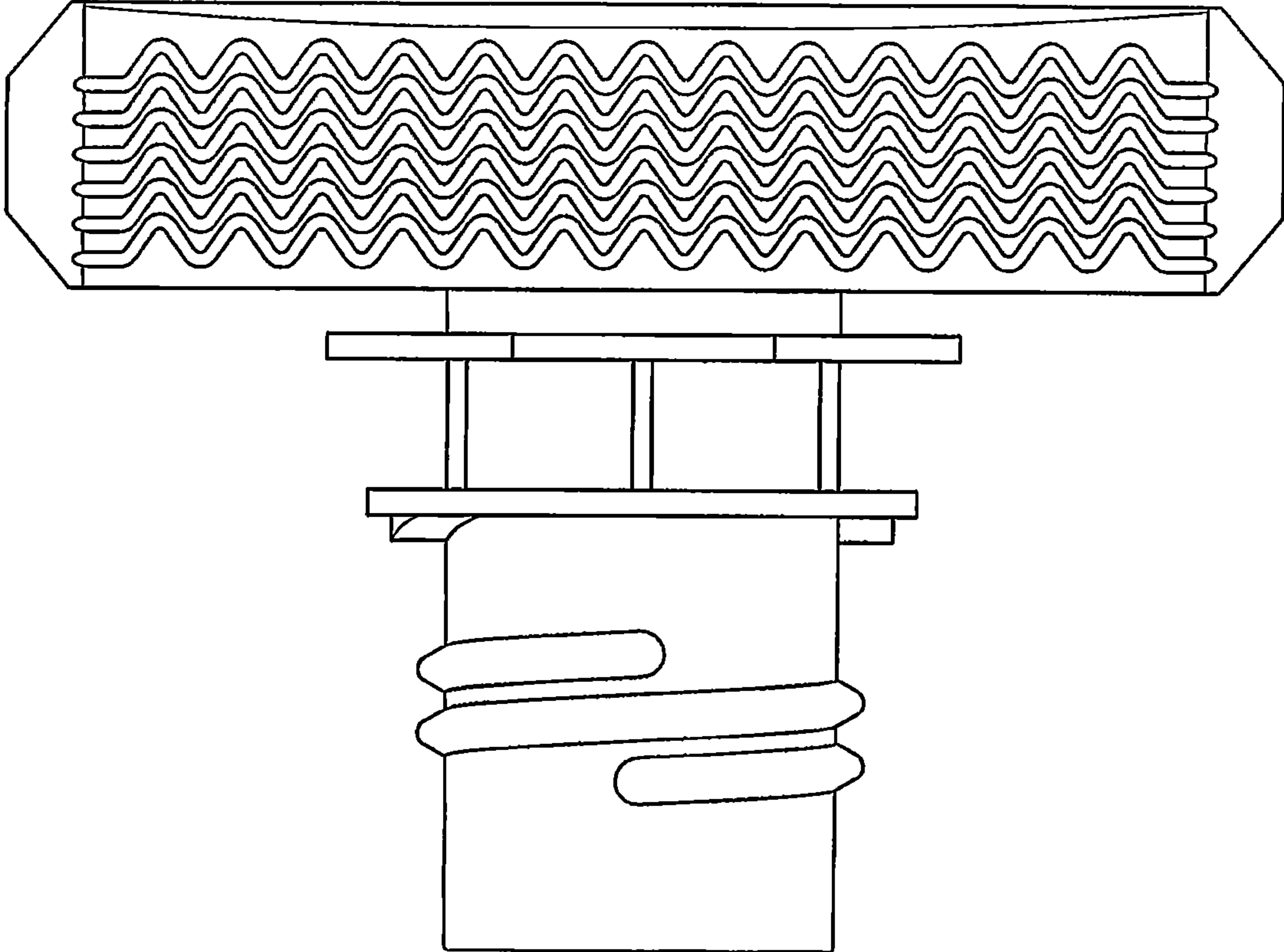


FIG. 2

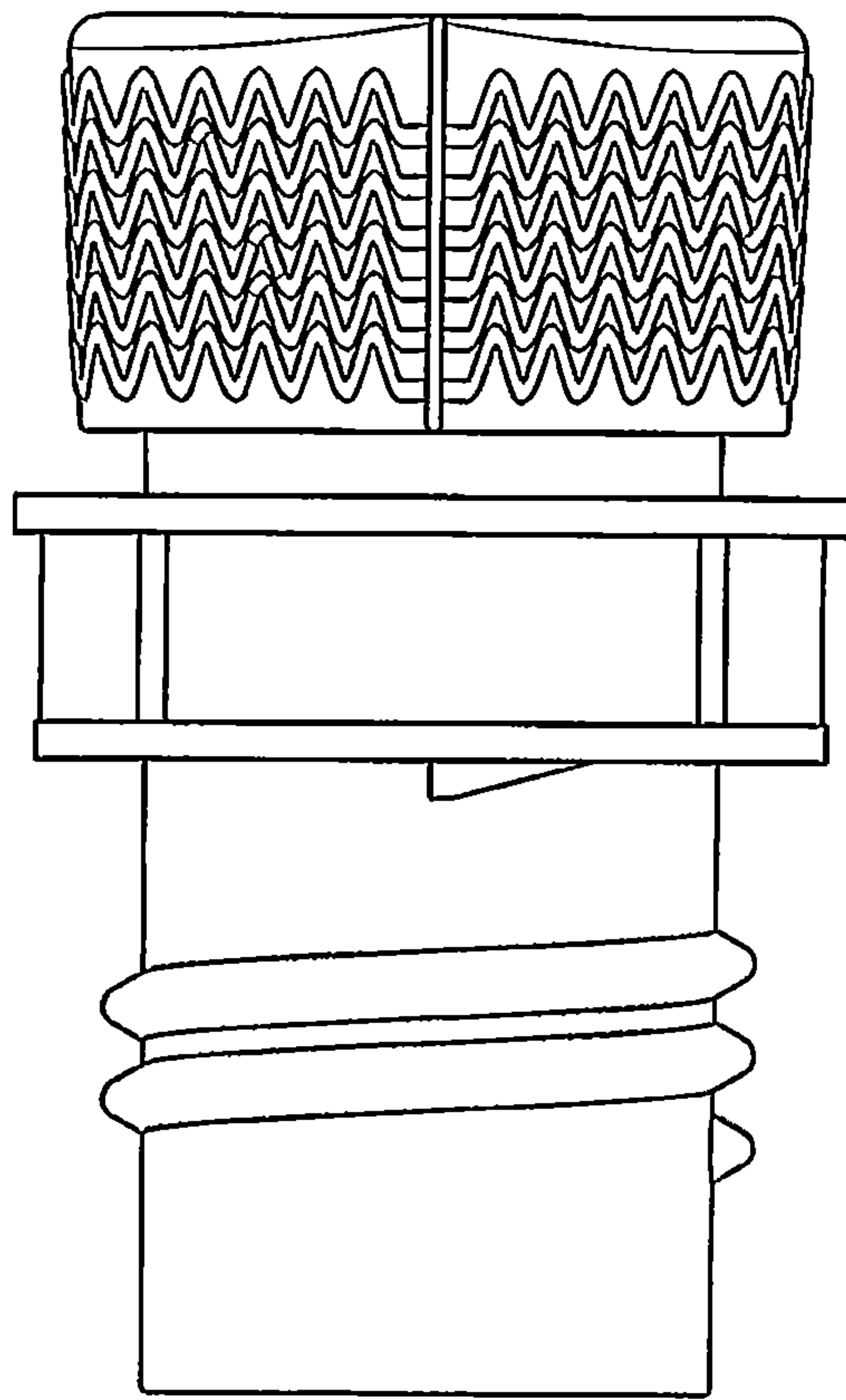


FIG. 3

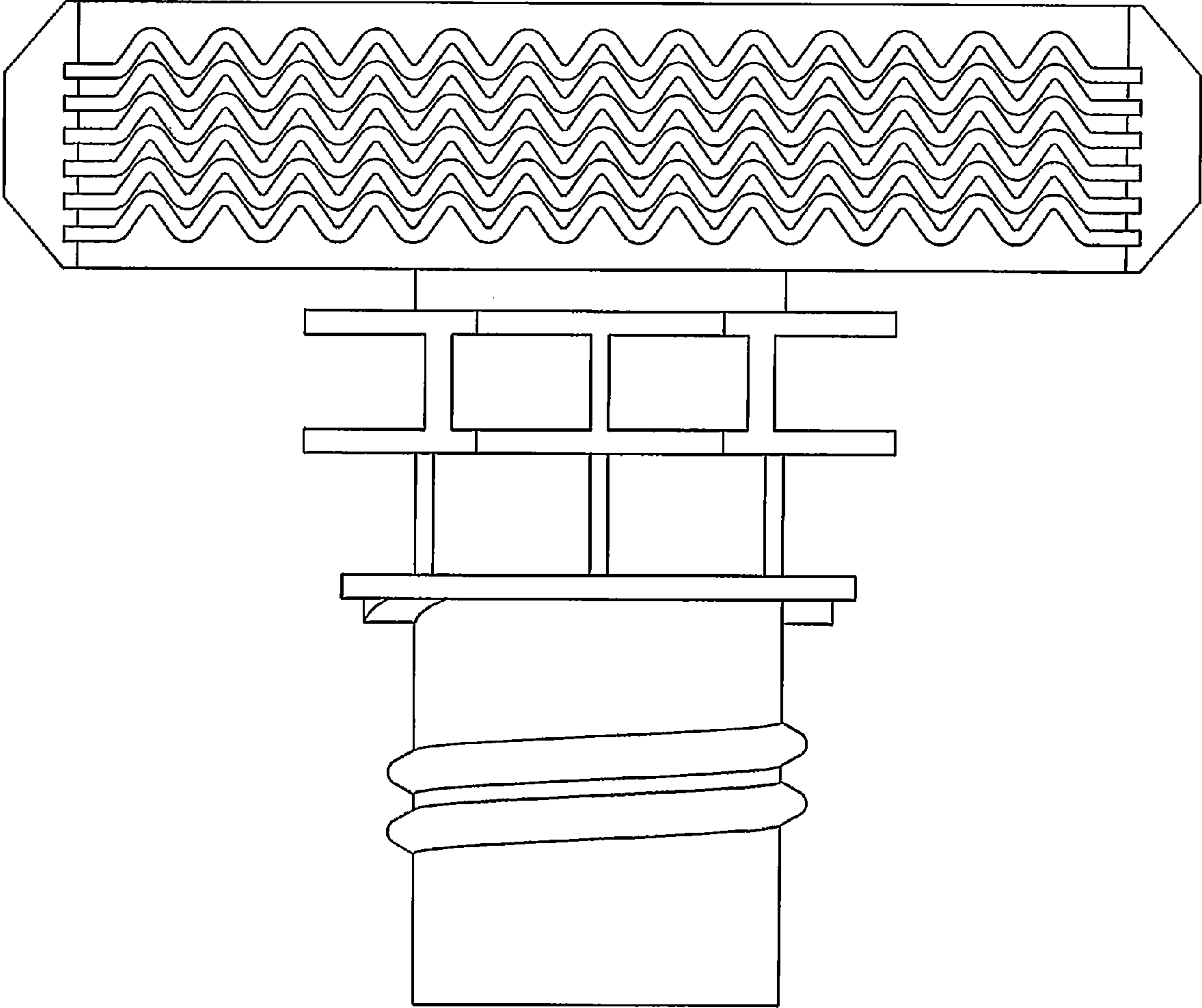


FIG. 4

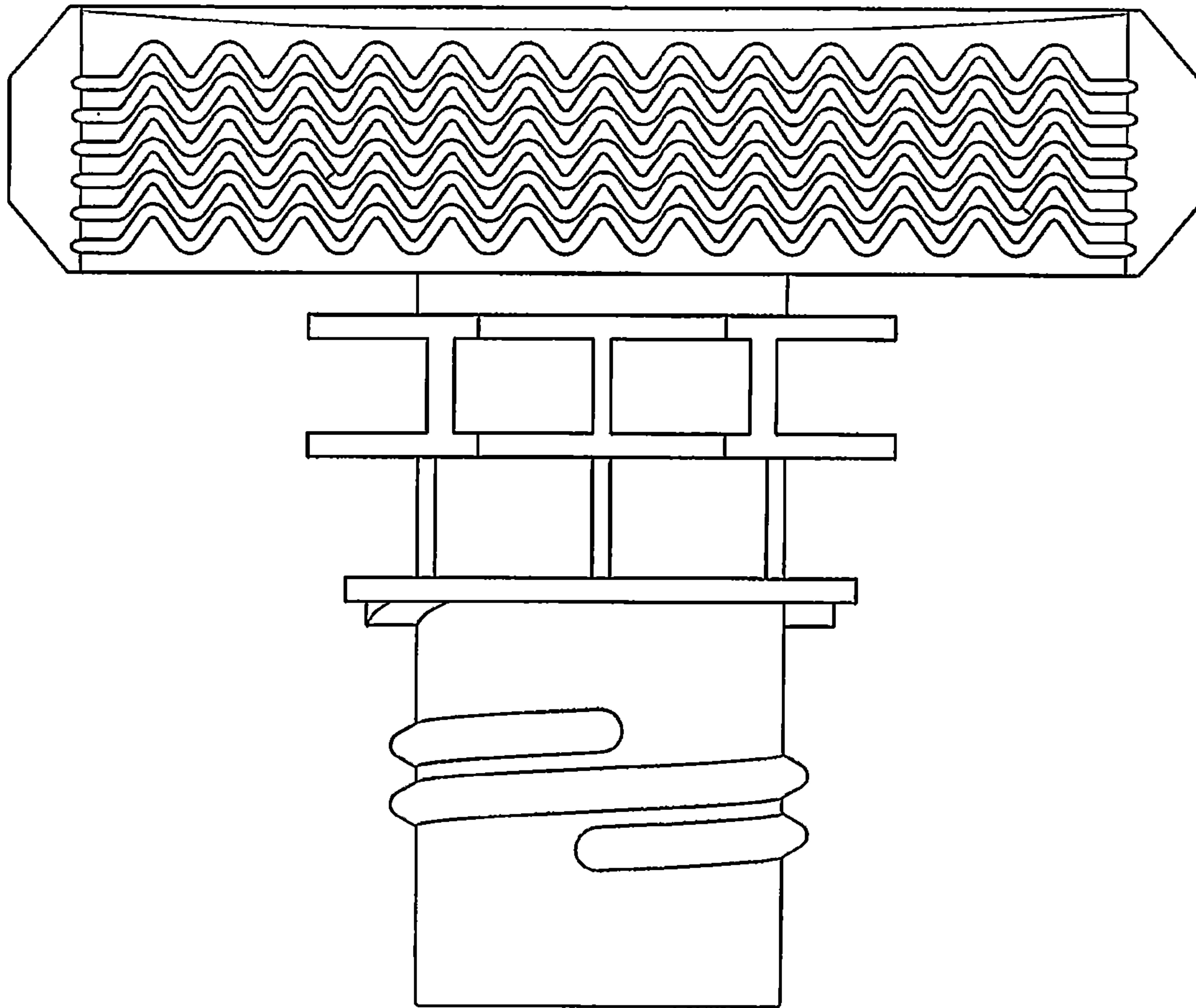


FIG. 5

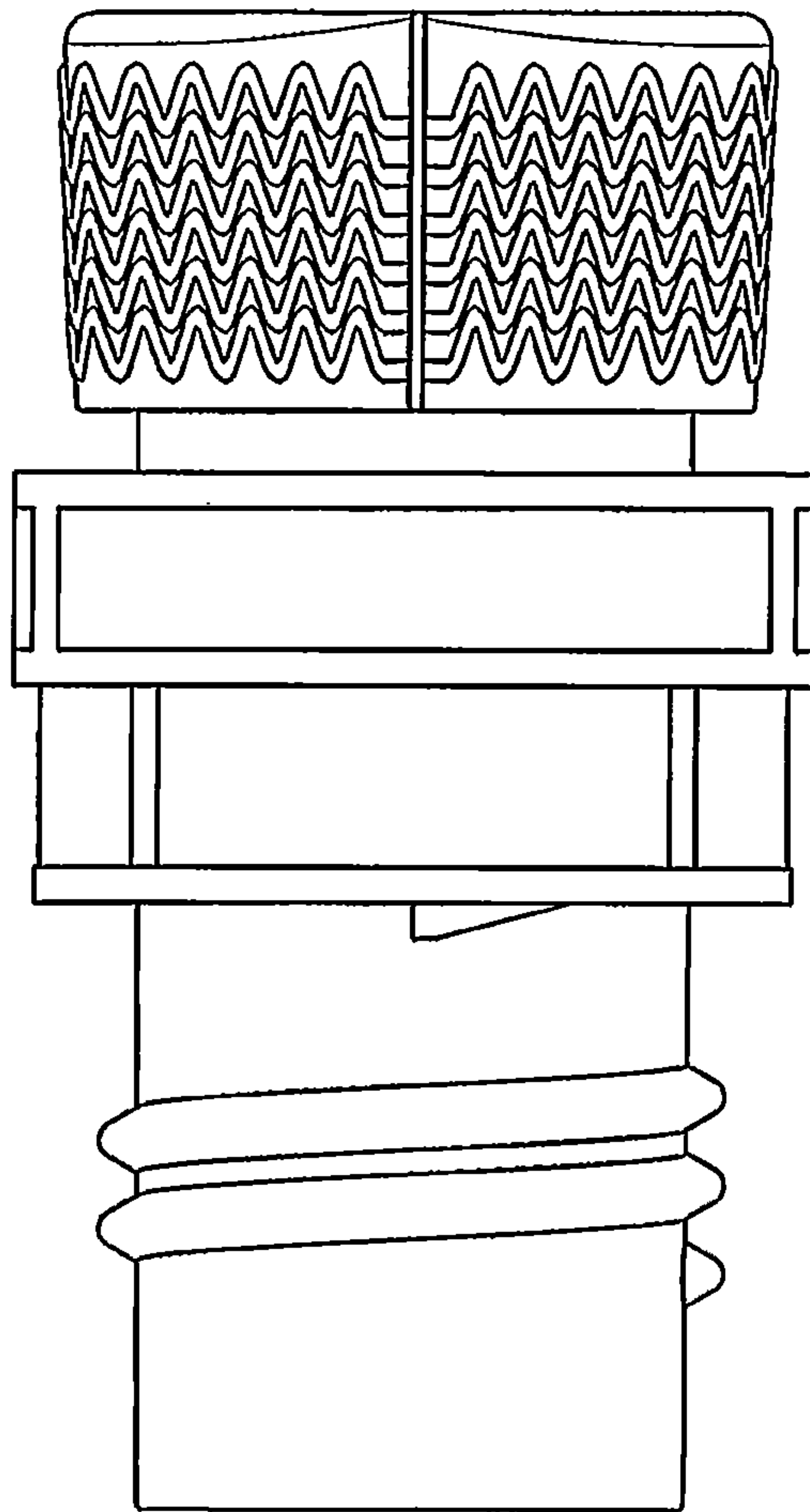


FIG. 6

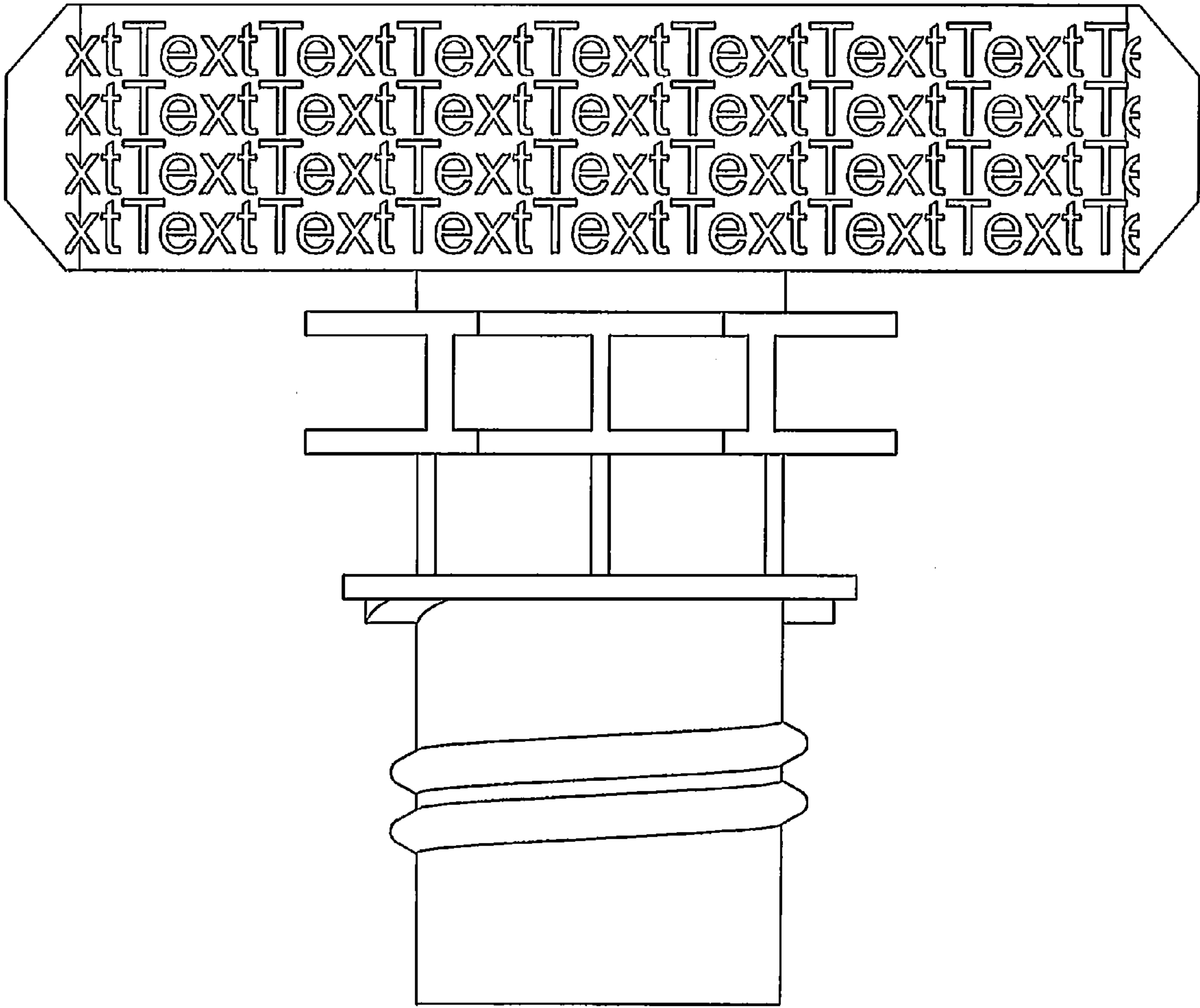


FIG. 7

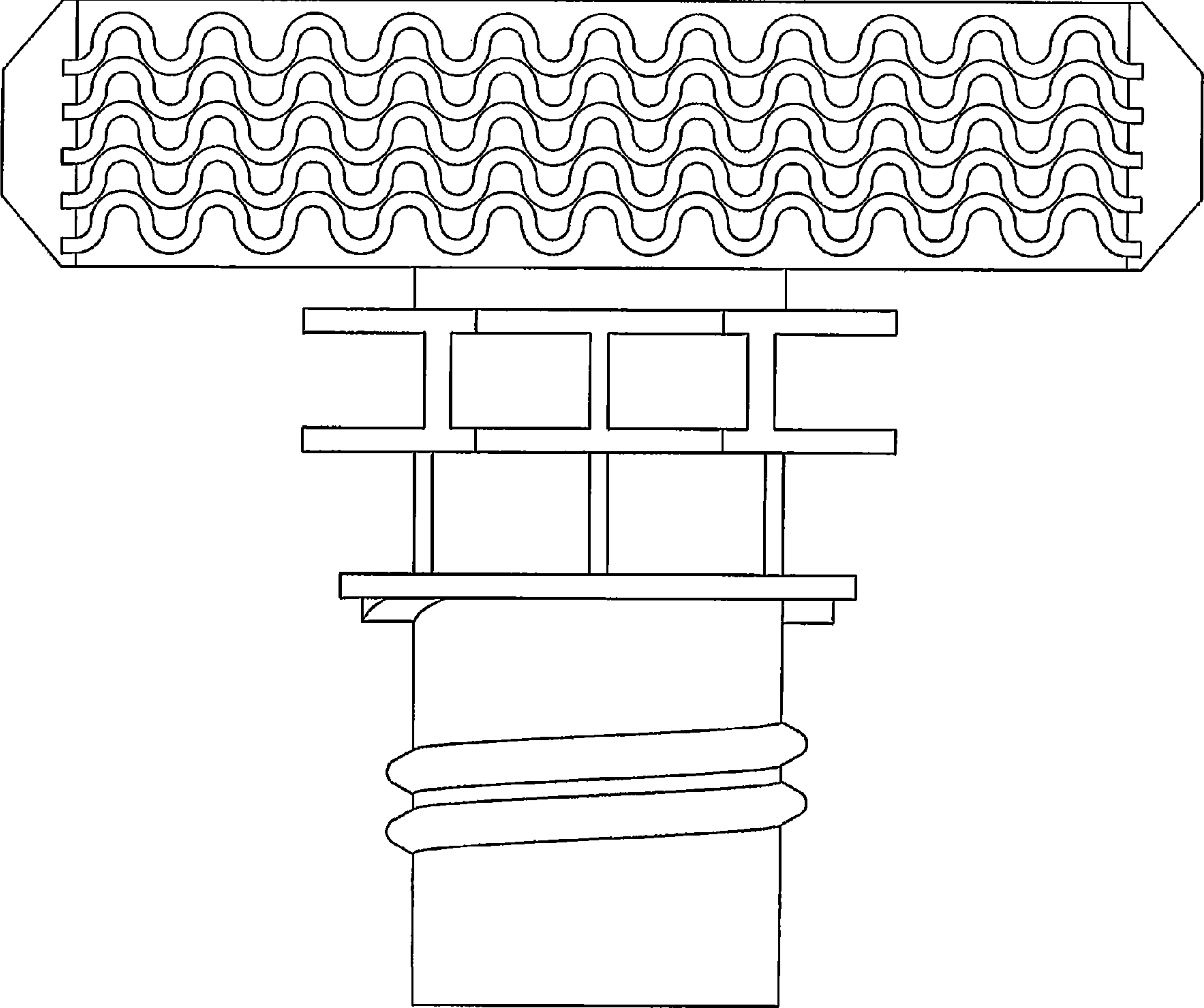


FIG. 8

UNITED STATES PATENT AND TRADEMARK OFFICE
CERTIFICATE OF CORRECTION

PATENT NO. : D683,219 S
APPLICATION NO. : 29/396941
DATED : May 28, 2013
INVENTOR(S) : Werner Schick

Page 1 of 8

It is certified that error appears in the above-identified patent and that said Letters Patent is hereby corrected as shown below:

Delete Title Page, and substitute new Title Page, showing the corrected descriptions and number of drawing sheets in patent. (Attached)

Delete Drawing Sheets 1-8 and substitute therefore with the attached Drawing Sheet 1-6. Figs 7 and 8 have been deleted.

Signed and Sealed this
Twelfth Day of November, 2013



Teresa Stanek Rea
Deputy Director of the United States Patent and Trademark Office

(12) **United States Design Patent**
Schick

(10) **Patent No.:** **US D683,219 S**

(45) **Date of Patent:** **** May 28, 2013**

(54) **SPOUT**

D566,547 S * 4/2008 Lacov D9/435
 D580,758 S * 11/2008 Lacov D9/447
 7,850,044 B2 * 12/2010 Hildebrand et al. 222/107

(75) **Inventor:** **Werner Schick, Neuenkirchen (DE)**

* cited by examiner

(73) **Assignee:** **Poppelmann Holding GmbH & Co. KG, Lohne (DE)**

Primary Examiner — Robin V Webster
 (74) *Attorney, Agent, or Firm* — Husch Blackwell LLP;
 Robert Haldiman; H. Frederick Rusche

(**) **Term:** **14 Years**

(57) **CLAIM**

(21) **Appl. No.:** **29/396,941**

I claim the ornamental design for a spout, as shown and described.

(22) **Filed:** **Jul. 8, 2011**

DESCRIPTION

(30) **Foreign Application Priority Data**

Jan. 10, 2011 (EM) 001254007

(51) **LOC (9) CL.** **09-07**

(52) **U.S. CL.**
 USPC **D9/435; D9/447**

(58) **Field of Classification Search** ... D23/213; D9/435,
 D9/447, 450; 222/566; 493/87

See application file for complete search history.

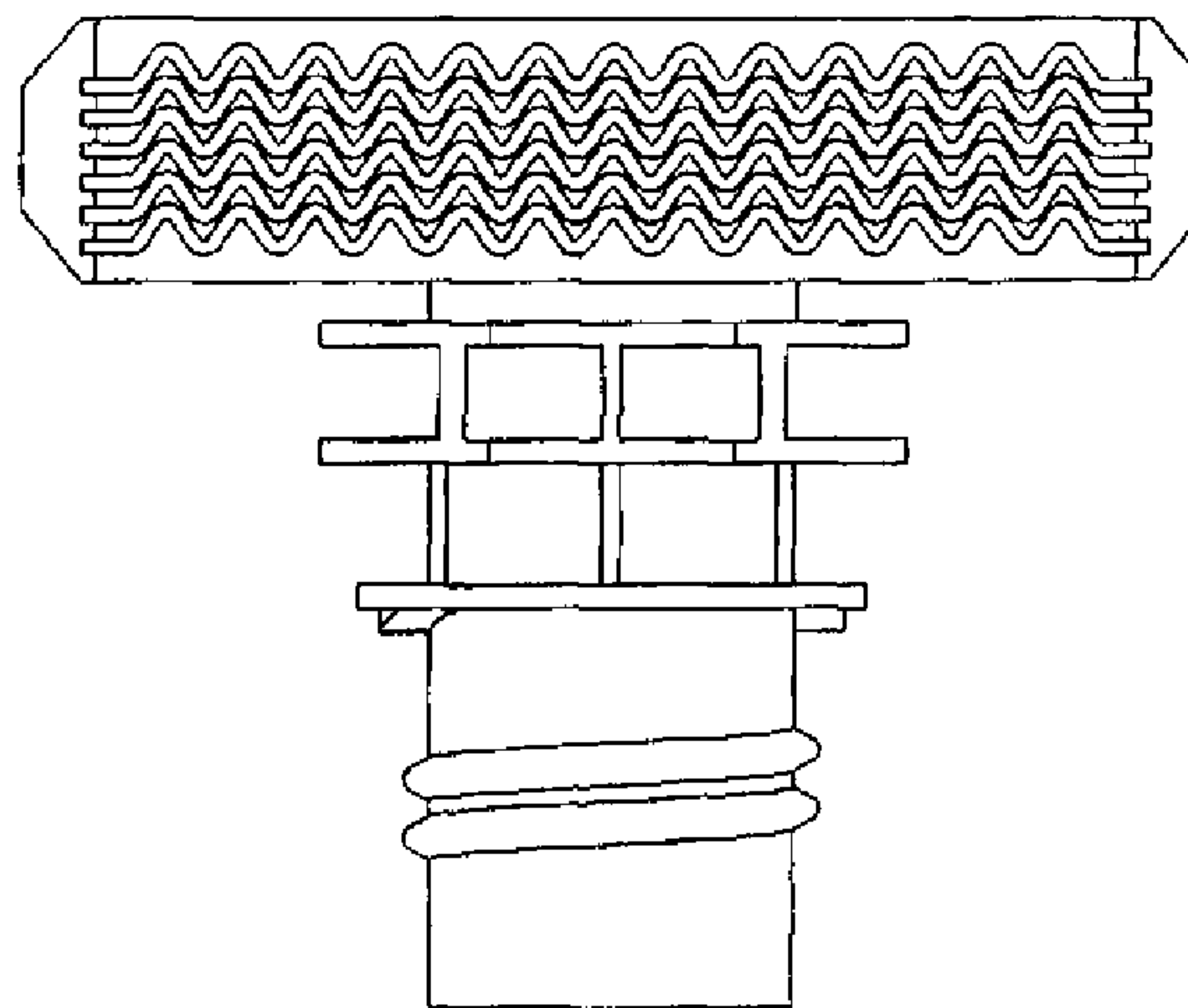
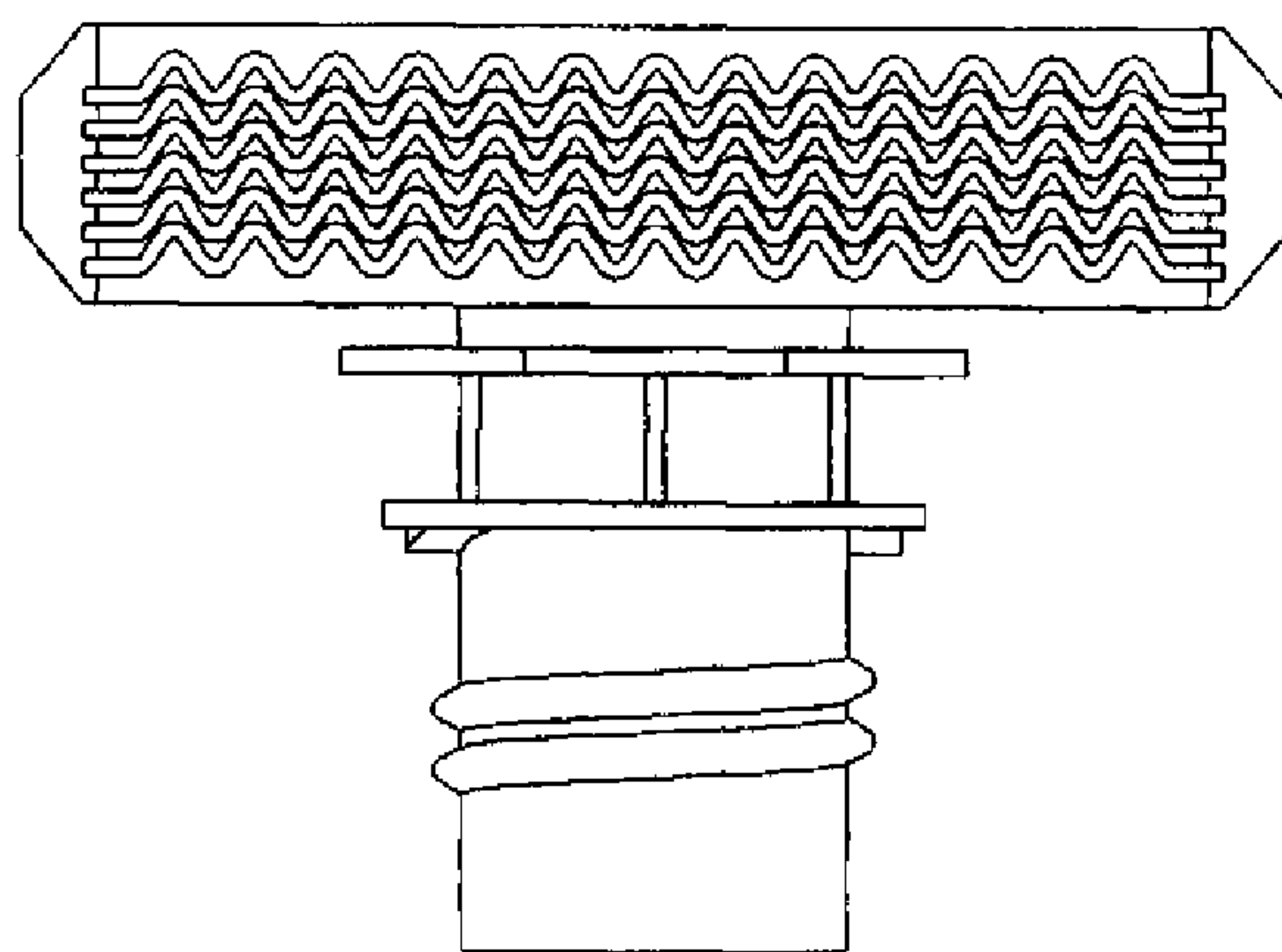
FIG. 1 is a front elevation view of a spout according to a first embodiment of the new design;
 FIG. 2 is a rear elevation view of the first embodiment;
 FIG. 3 is a left side elevation view of the first embodiment. This left side elevation view is substantially similar to the right side view (not shown);
 FIG. 4 is a front elevation view of a spout according to a second embodiment;
 FIG. 5 is a rear elevation view of the second embodiment;
 FIG. 6 is a left side elevation view of the second embodiment. This left side elevation view is substantially similar to the right side view (not shown);

(56) **References Cited**

U.S. PATENT DOCUMENTS

D261,212 S * 10/1981 Mills D7/700
 D489,978 S * 5/2004 Brown D9/440
 6,958,033 B1 * 10/2005 Malin 493/102

1 Claim, 6 Drawing Sheets



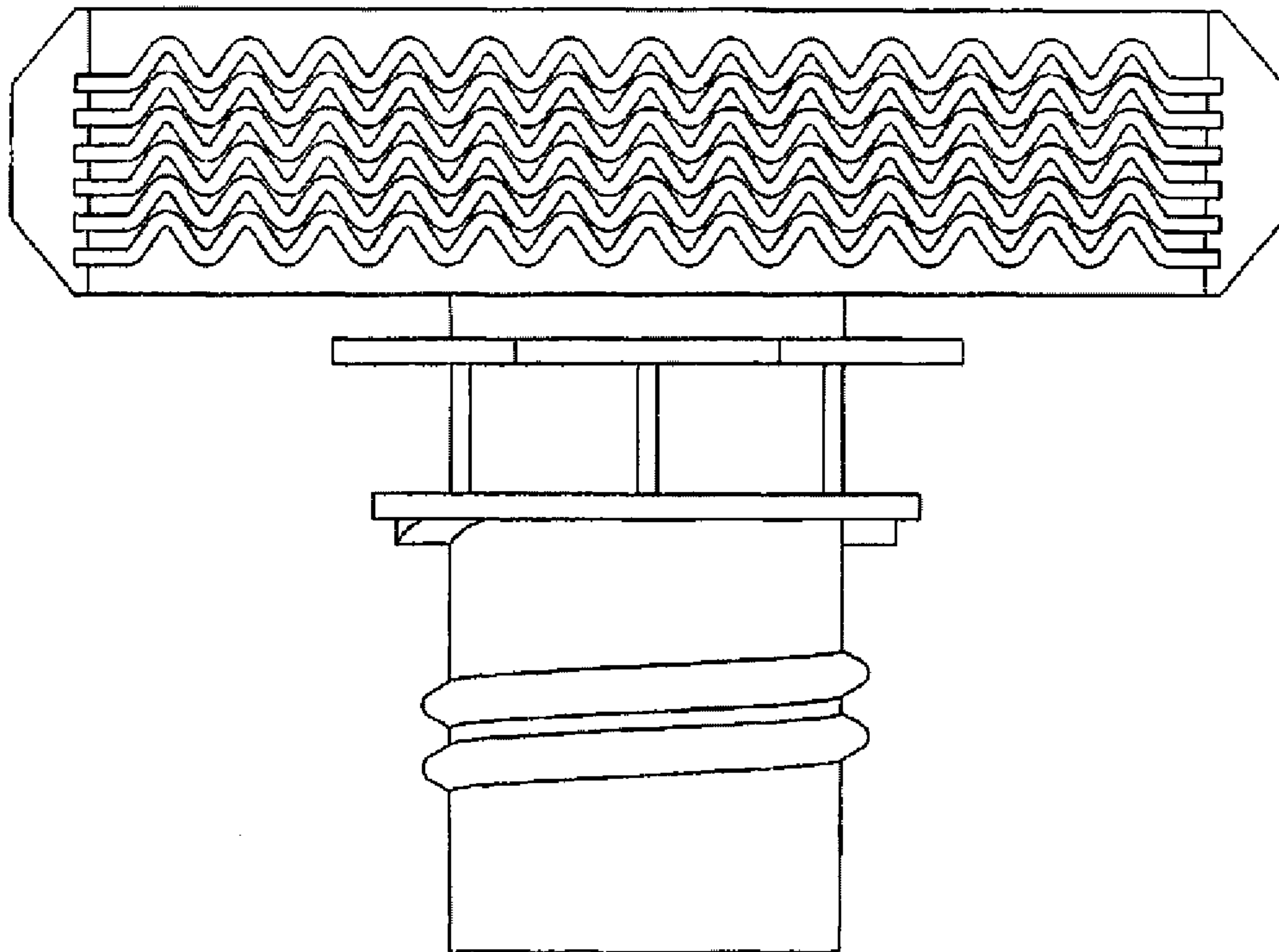


FIG. 1

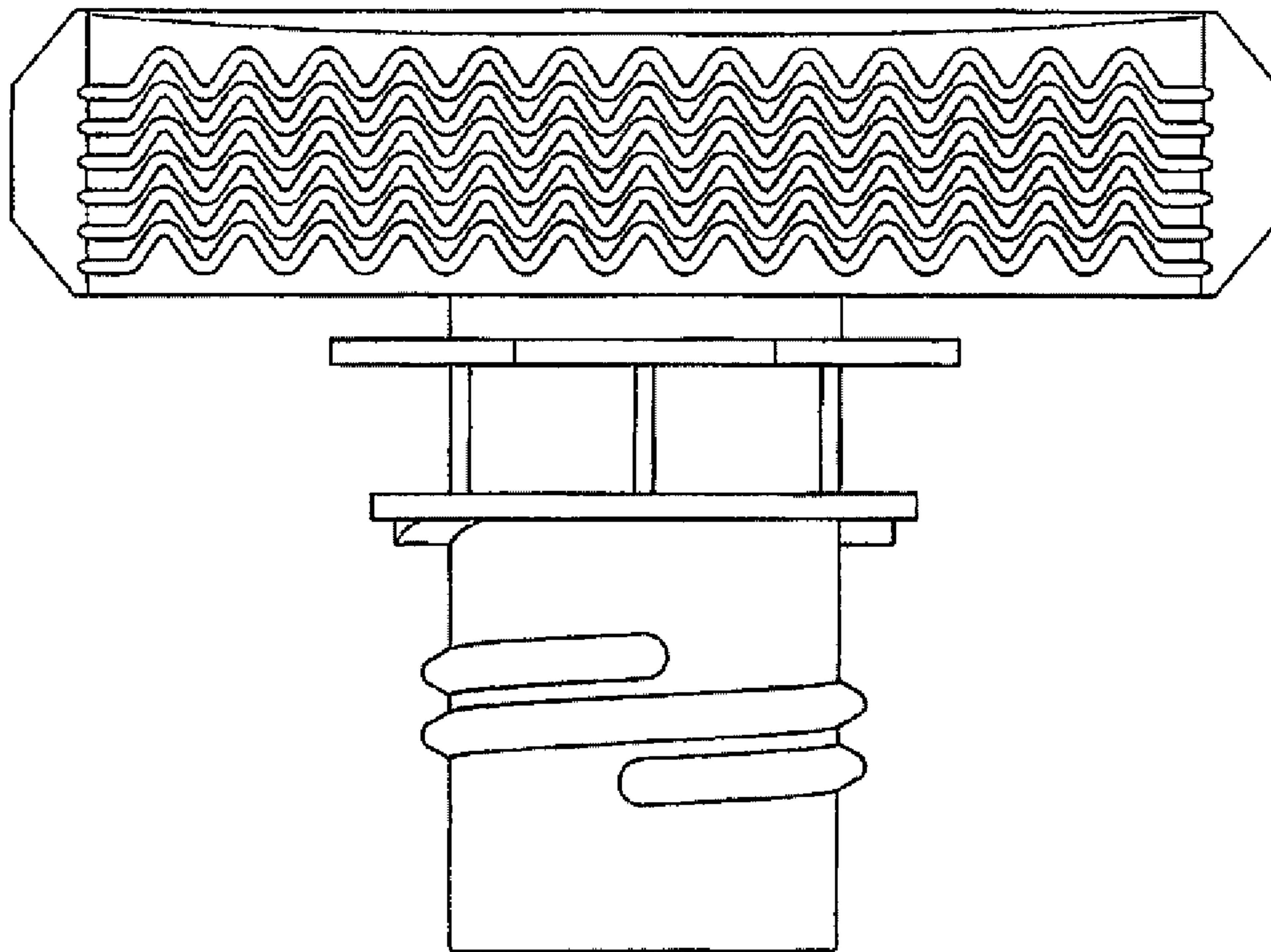


FIG. 2

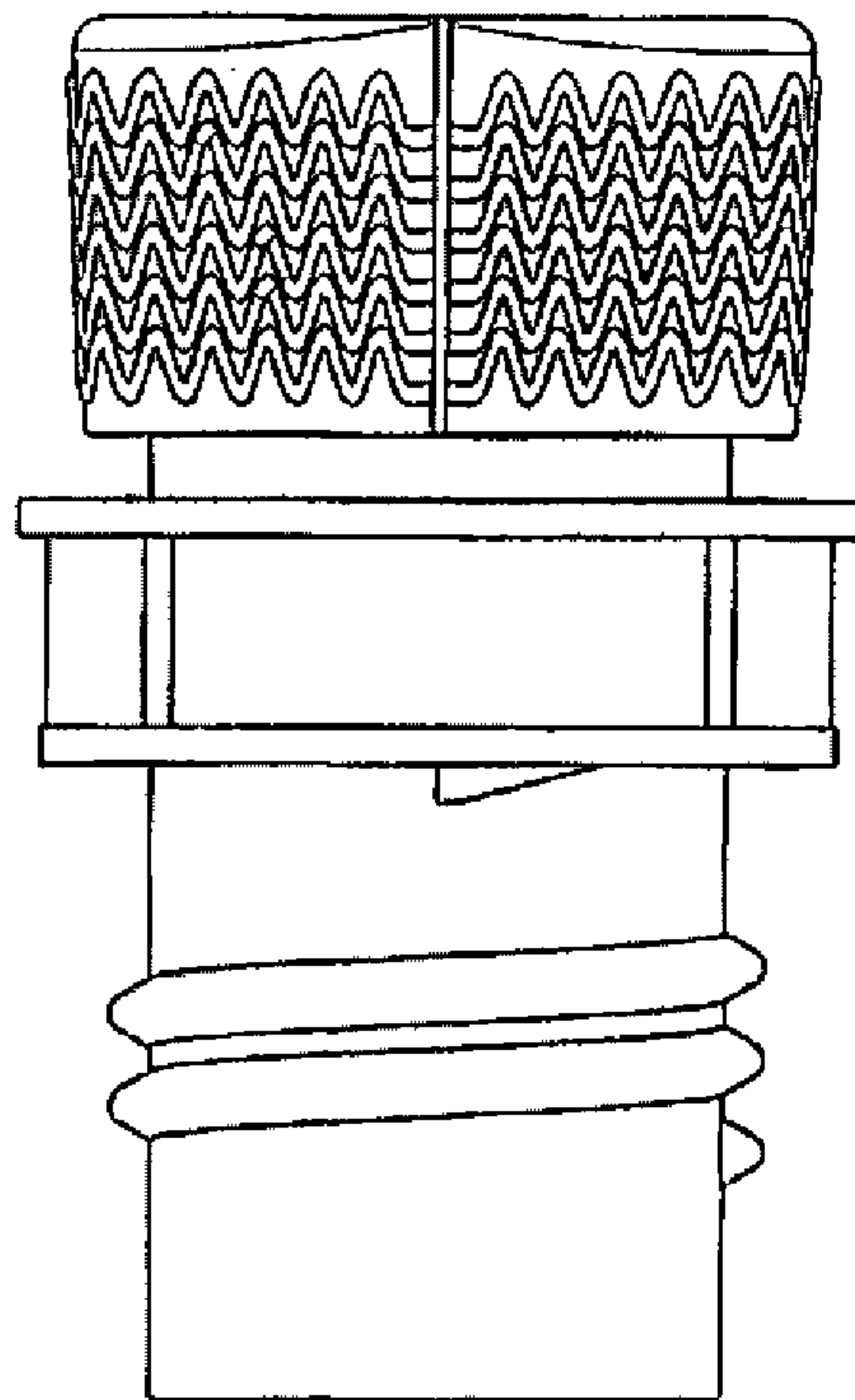


FIG. 3

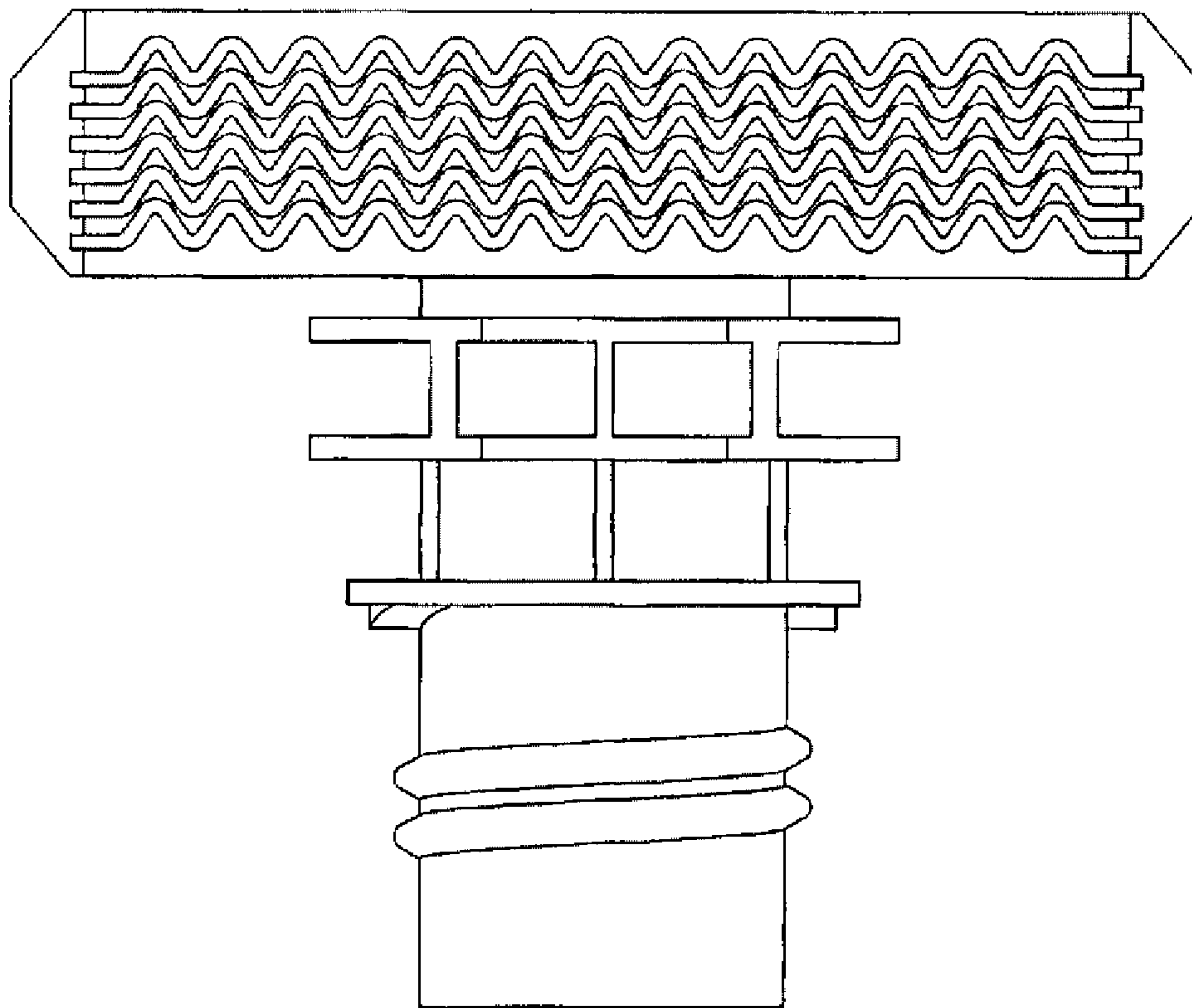


FIG. 4

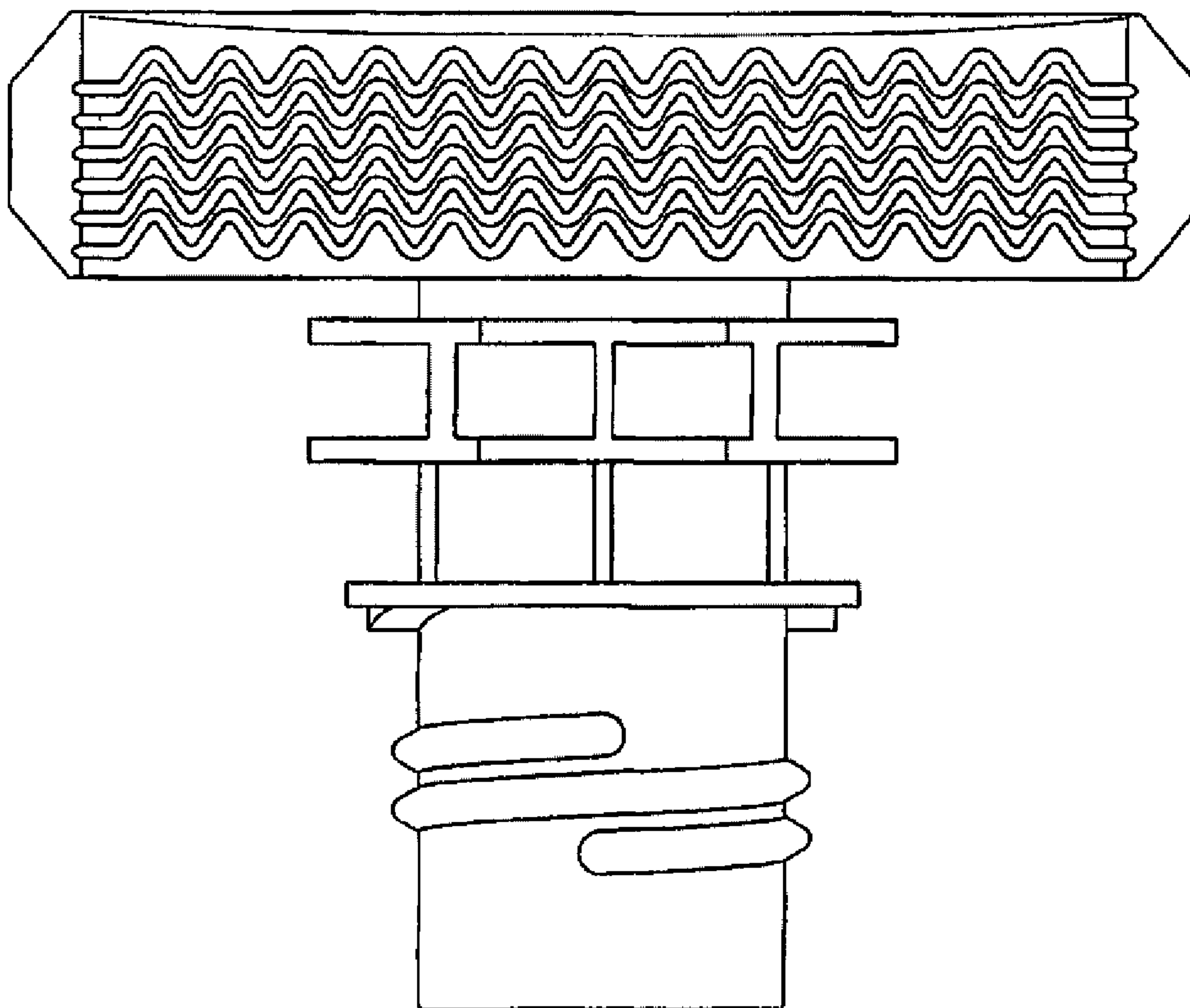


FIG. 5

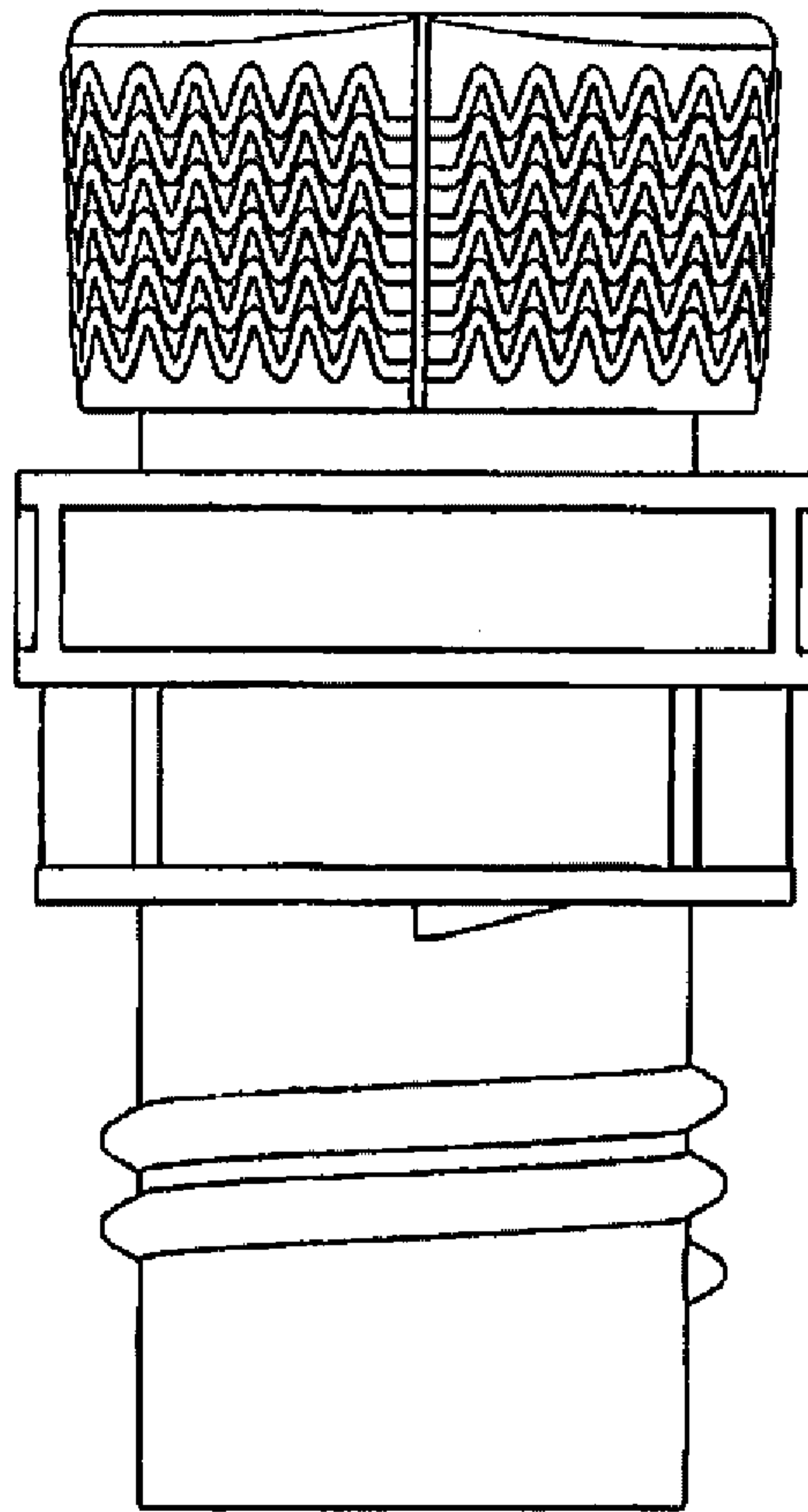


FIG. 6