



US00D683216S

(12) **United States Design Patent**  
**Thompson et al.**

(10) **Patent No.:** **US D683,216 S**  
(45) **Date of Patent:** **\*\* May 28, 2013**

- (54) **CARTON**
- (71) Applicant: **The Procter & Gamble Company,**  
Cincinnati, OH (US)
- (72) Inventors: **Michelle Christine Thompson,**  
Montgomery, OH (US); **Jamey Nathan**  
**Wagner,** West Chester, OH (US);  
**Brandy Nicole Lockaby,** Cincinnati,  
OH (US)
- (73) Assignee: **The Procter & Gamble Company,**  
Cincinnati, OH (US)

- D543,110 S \* 5/2007 Harada et al. .... D9/457
- D586,210 S \* 2/2009 Noschang et al. .... D9/434
- D625,182 S \* 10/2010 Kerr et al. .... D9/432
- D635,017 S 3/2011 Kerr et al.
- D650,273 S \* 12/2011 Tekulve et al. .... D9/432
- D651,512 S \* 1/2012 Eaton et al. .... D9/435
- D656,396 S 3/2012 Palmieri et al.
- D656,826 S \* 4/2012 Bohache et al. .... D9/516
- D659,012 S 5/2012 Subler
- D660,145 S \* 5/2012 Tekulve et al. .... D9/432
- D665,257 S \* 8/2012 Slayton et al. .... D9/432
- D666,091 S 8/2012 Klopp et al.
- D666,092 S 8/2012 Dowden et al.
- D673,377 S \* 1/2013 Thompson et al. .... D5/63
- D675,521 S \* 2/2013 Gregory et al. .... D9/434

- (\*\*) Term: **14 Years**
- (21) Appl. No.: **29/441,251**
- (22) Filed: **Jan. 3, 2013**

**Related U.S. Application Data**

- (62) Division of application No. 29/404,831, filed on Oct. 26, 2011.
- (51) **LOC (9) Cl.** ..... **09-07**
- (52) **U.S. Cl.**  
USPC ..... **D9/434; D9/432**
- (58) **Field of Classification Search** ..... D9/667,  
D9/451, 434, 432, 430, 425, 424, 423, 414; D5/63;  
229/922, 905, 903, 901, 87.18, 406, 116.5,  
229/116.1, 100  
See application file for complete search history.

(56) **References Cited**

**U.S. PATENT DOCUMENTS**

- D259,860 S 7/1981 Grodin
- D279,262 S 6/1985 Mansau
- D430,026 S 8/2000 Johansson et al.

**OTHER PUBLICATIONS**

U.S. Appl. No. 29/441,249, filed Jan. 3, 2013, Thompson, et al.

\* cited by examiner

*Primary Examiner* — Susan Bennett Hattan

(74) *Attorney, Agent, or Firm* — Peter D. Meyer

(57) **CLAIM**

The ornamental design for a carton, as shown and described.

**DESCRIPTION**

FIG. 1 is a perspective view of a carton showing our new design.

FIG. 2 is a front elevational view of the carton of FIG. 1;

FIG. 3 is a left-side elevational view of the carton of FIG. 1.

FIG. 4 is a right-side elevational view of the carton of FIG. 1.

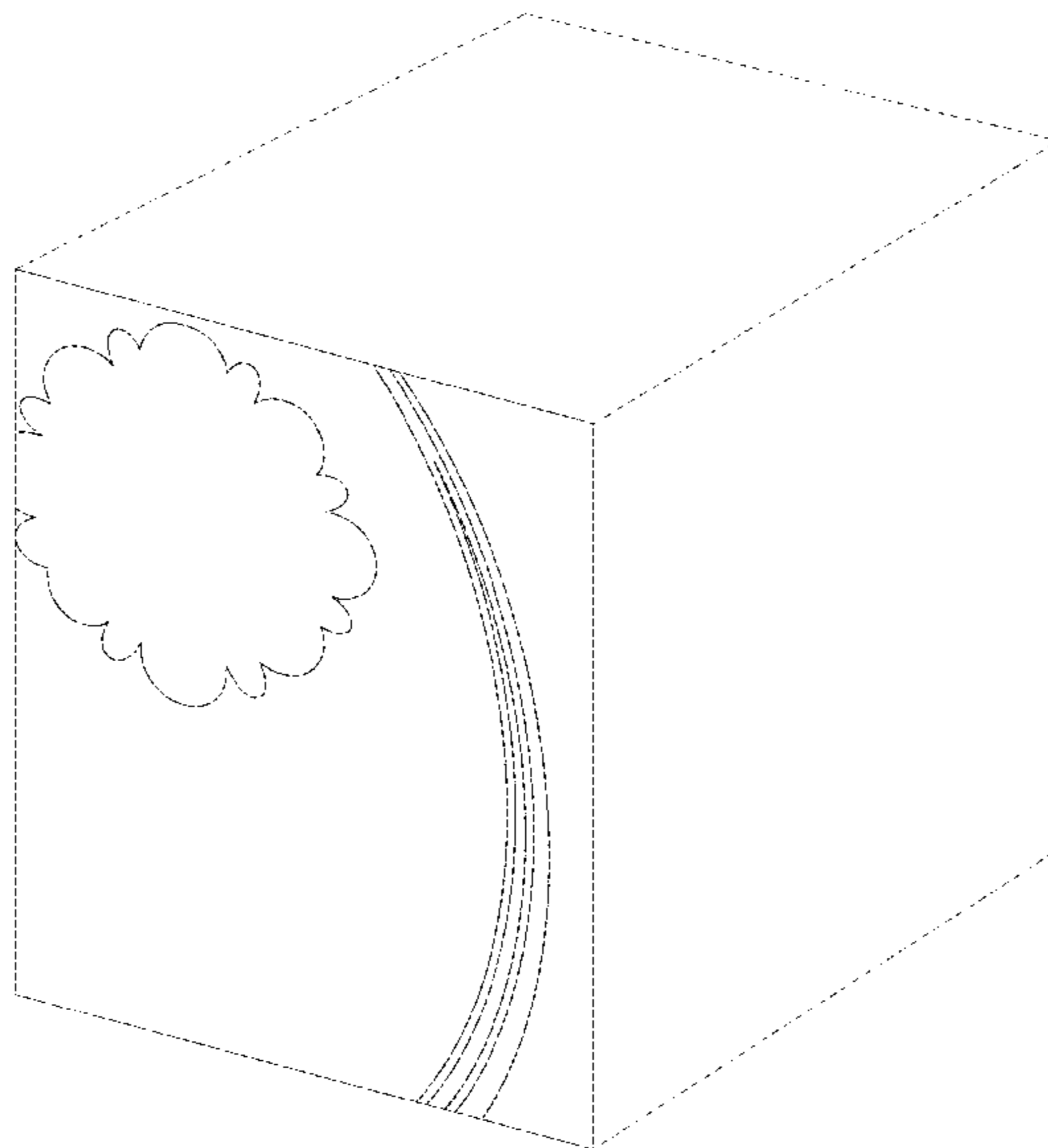
FIG. 5 is a rear elevational view of the carton of FIG. 1.

FIG. 6 is a top planar view of the carton of FIG. 1; and,

FIG. 7 is a bottom planar view of the carton of FIG. 1.

The broken lines in the drawing depict environmental subject matter only and form no part of the claimed design.

**1 Claim, 3 Drawing Sheets**



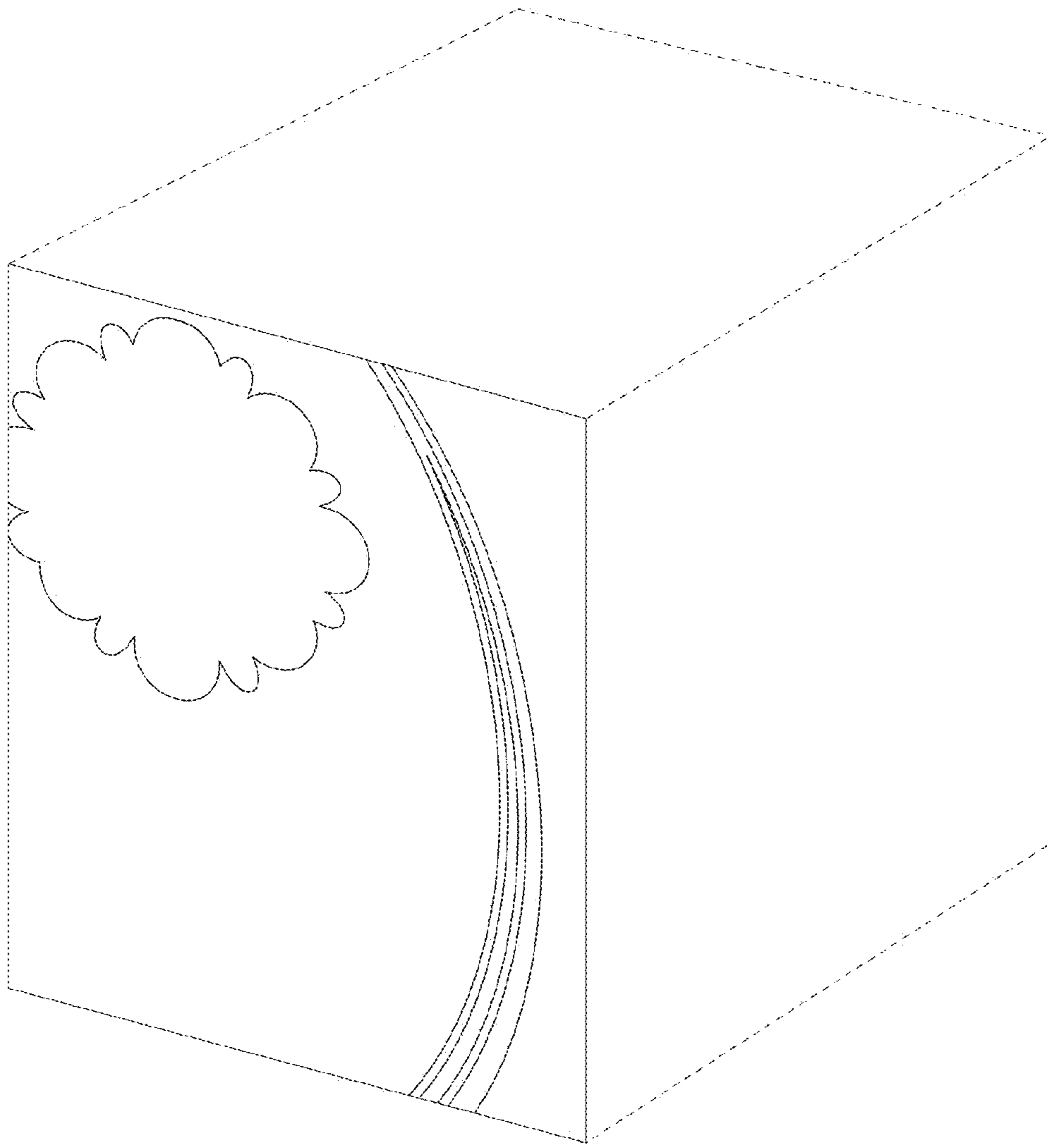


Fig. 1

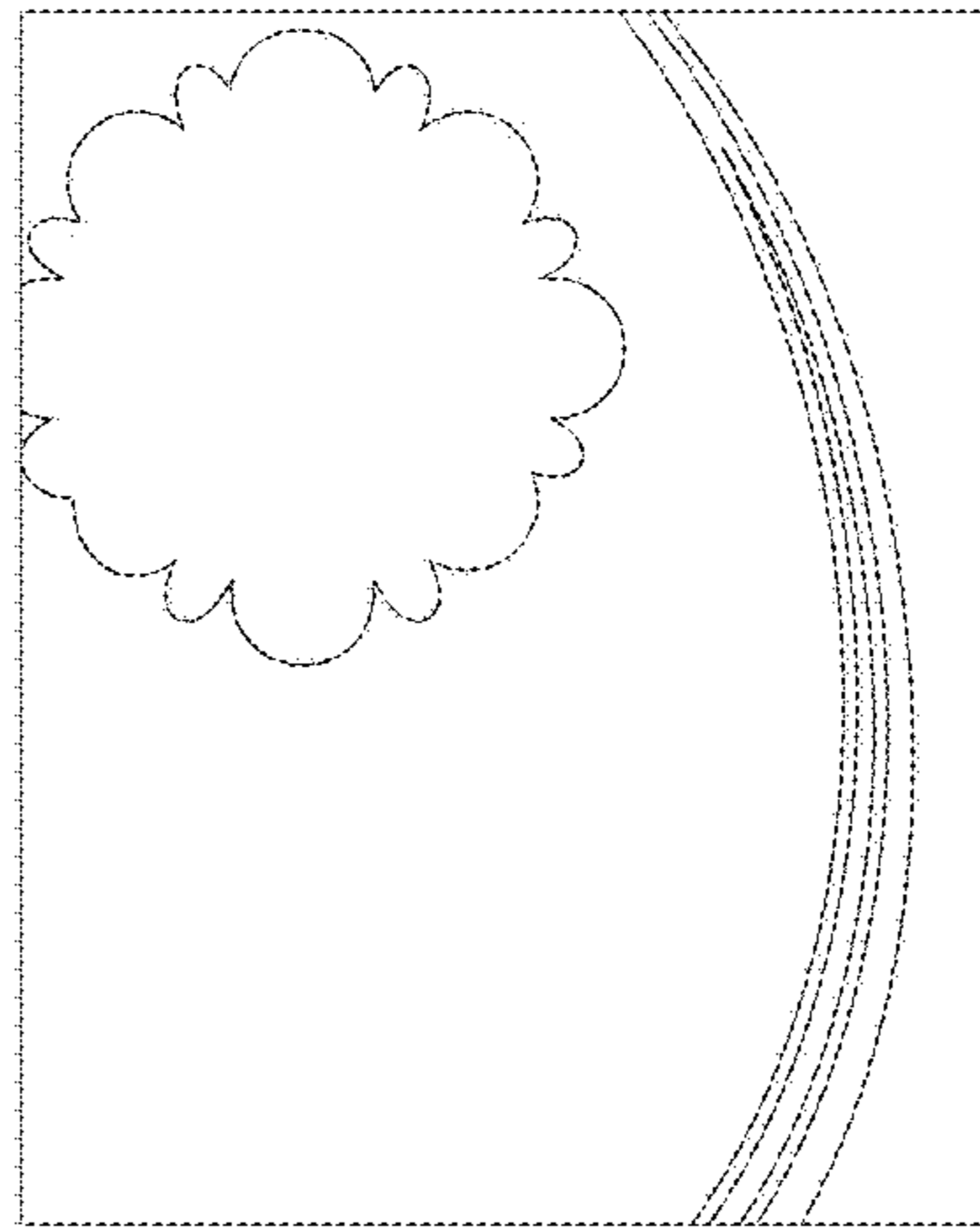


Fig. 2



Fig. 3



Fig. 4



Fig. 5

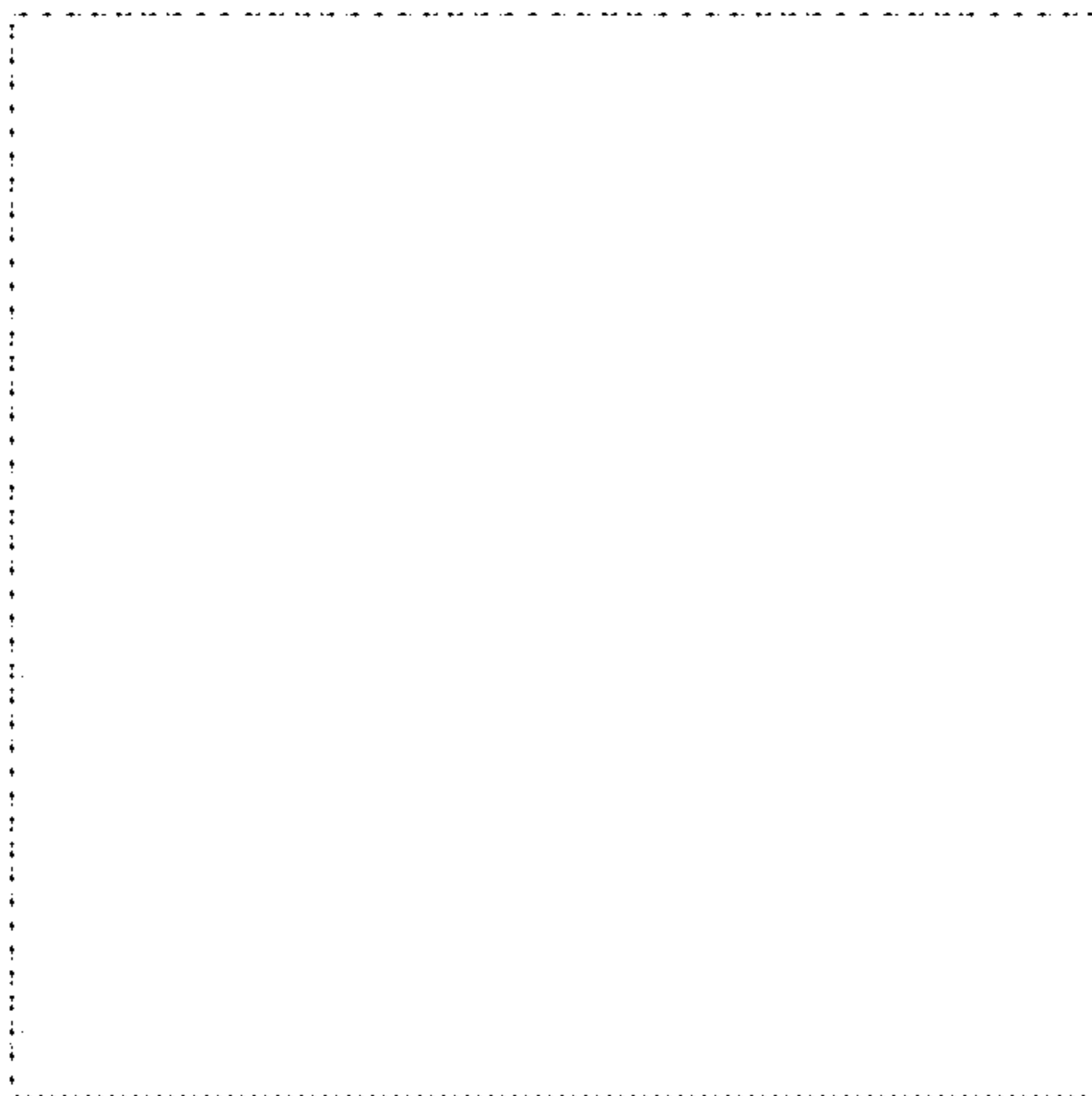


Fig. 6

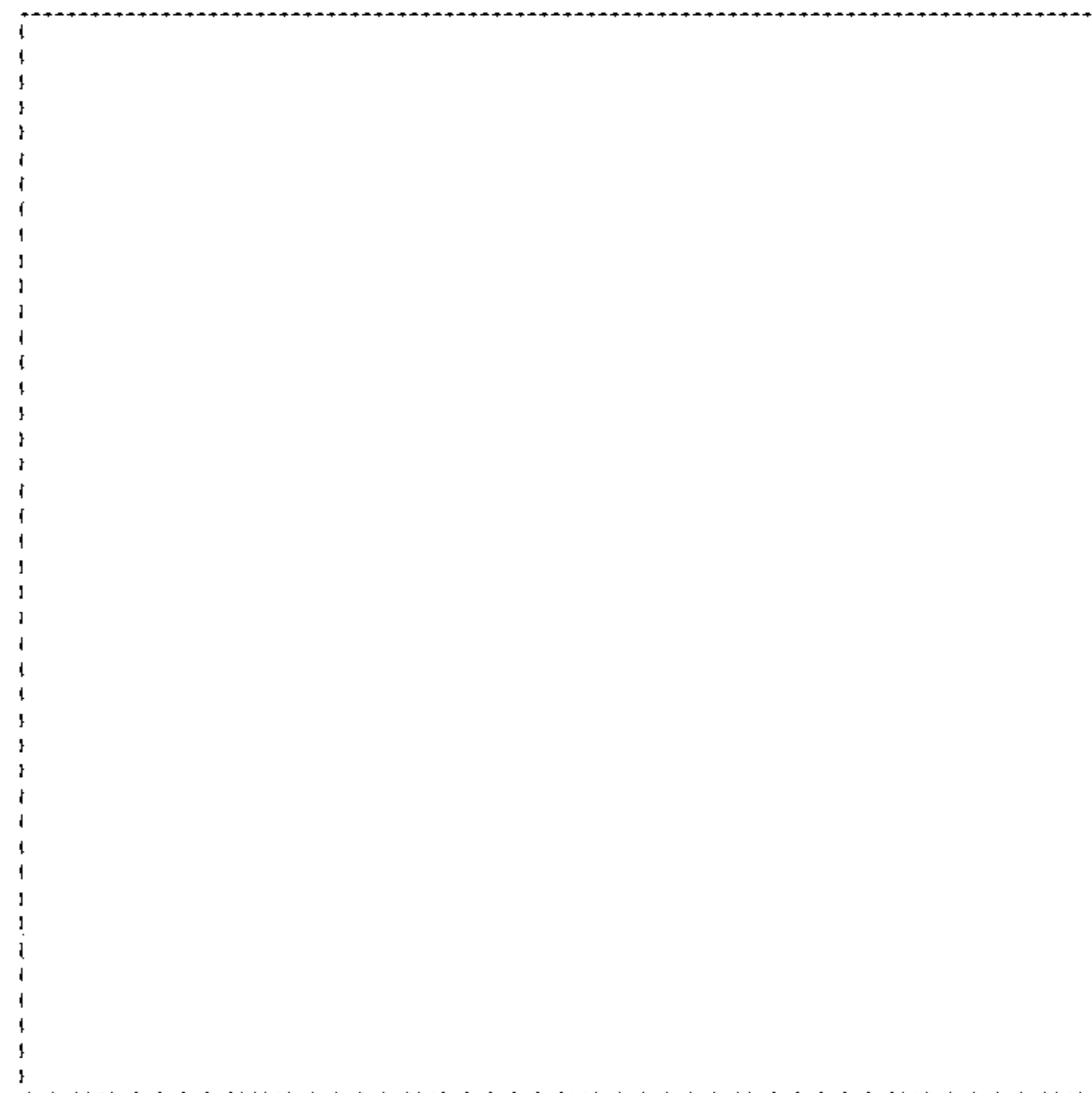


Fig. 7