



US00D683207S

(12) **United States Design Patent**
Papadopoulos

(10) **Patent No.:** **US D683,207 S**

(45) **Date of Patent:** **** May 28, 2013**

(54) **HOOK**

(71) Applicant: **Gustave Papadopoulos**, Astoria, NY
(US)

(72) Inventor: **Gustave Papadopoulos**, Astoria, NY
(US)

(**) Term: **14 Years**

(21) Appl. No.: **29/435,430**

(22) Filed: **Oct. 24, 2012**

(51) **LOC (9) Cl.** **08-05**

(52) **U.S. Cl.**
USPC **D8/367**

(58) **Field of Classification Search**
USPC D8/356, 367, 354, 349; 248/215,
248/339, 489; 16/87.2, 87.8

See application file for complete search history.

(56) **References Cited**

U.S. PATENT DOCUMENTS

2,305,754	A	12/1942	Woodruff, Jr.	
2,486,276	A	10/1949	Guy	
4,086,709	A	5/1978	Jackson	
4,821,988	A	4/1989	Jimenez	
D306,689	S	3/1990	Hamann	
D336,601	S	* 6/1993	Crawford	D8/98
D354,677	S	1/1995	Troyer	
5,682,652	A	11/1997	Brody et al.	
5,836,646	A	11/1998	Salehi et al.	
D423,914	S	* 5/2000	Klein et al.	D8/367

D432,880	S	* 10/2000	Rice et al.	D8/29
D433,305	S	* 11/2000	Wu	D8/107
D468,989	S	* 1/2003	Gringer et al.	D8/107
D526,024	S	* 8/2006	Iannello et al.	D20/8
D533,026	S	* 12/2006	Dotterman et al.	D7/393
D576,025	S	* 9/2008	Mazzocco	D8/382
D600,100	S	* 9/2009	Moncade	D8/367
D601,880	S	* 10/2009	Veilleux	D8/367
D604,139	S	* 11/2009	Forsythe	D8/105
D607,298	S	* 1/2010	Lucas	D8/98
D630,076	S	* 1/2011	O'Connell	D8/105

FOREIGN PATENT DOCUMENTS

FR	2 823 542	B1	5/2003
GB	2 402 963	A	12/2004
GB	2 425 248	B	11/2008

* cited by examiner

Primary Examiner — Cynthia Underwood

(74) *Attorney, Agent, or Firm* — Roberts Mlotkowski Safran & Cole, P.C.

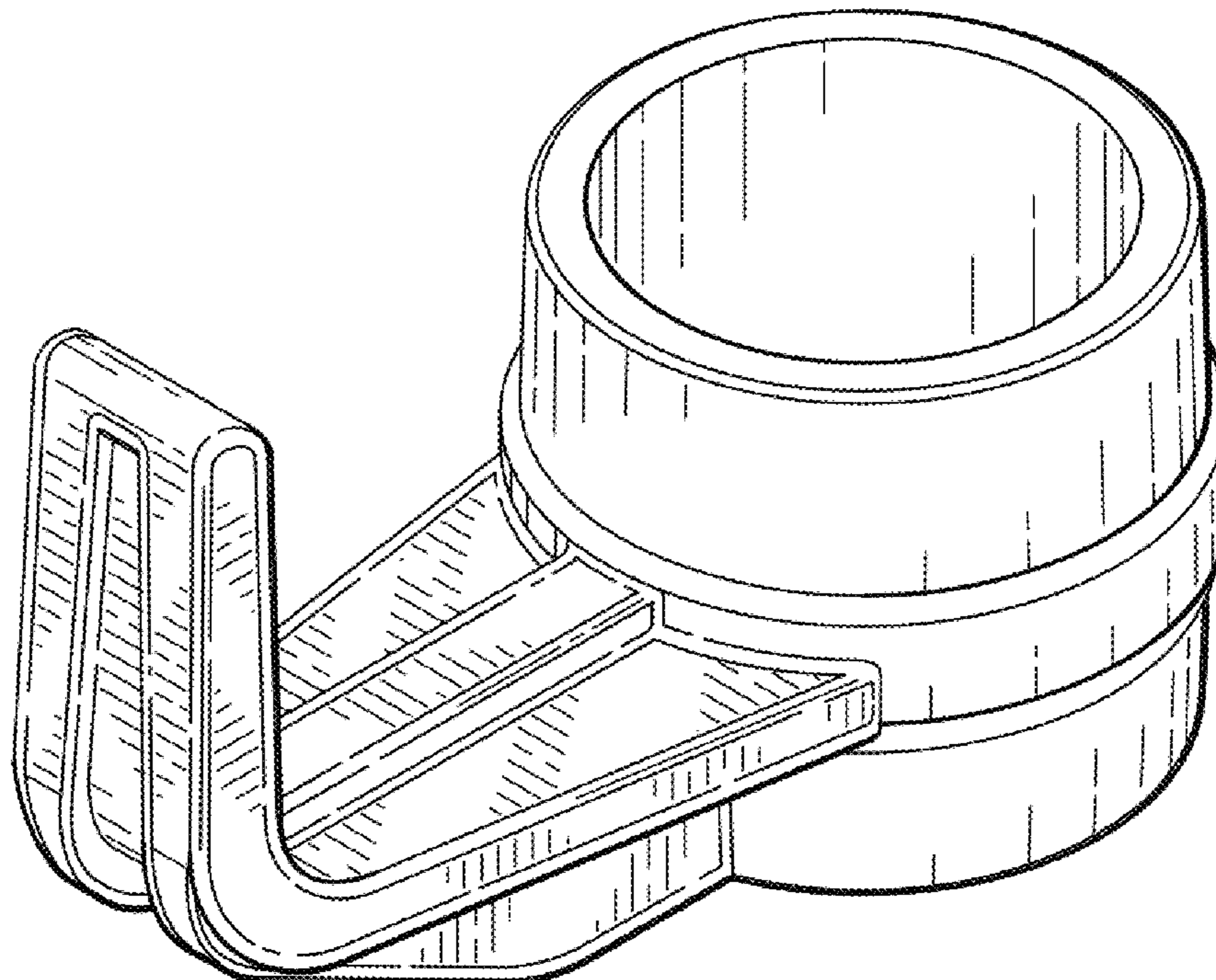
(57) **CLAIM**

The ornamental design is for a hook, substantially as shown.

DESCRIPTION

FIG. 1 is a perspective angled right side view of the hook embodying the new design;
FIG. 2 is a perspective top view of the hook;
FIG. 3 is a bottom plain view of the hook;
FIG. 4 is a left side view thereof;
FIG. 5 is a front top view thereof; and,
FIG. 6 is a rear bottom view of the hook.

1 Claim, 2 Drawing Sheets



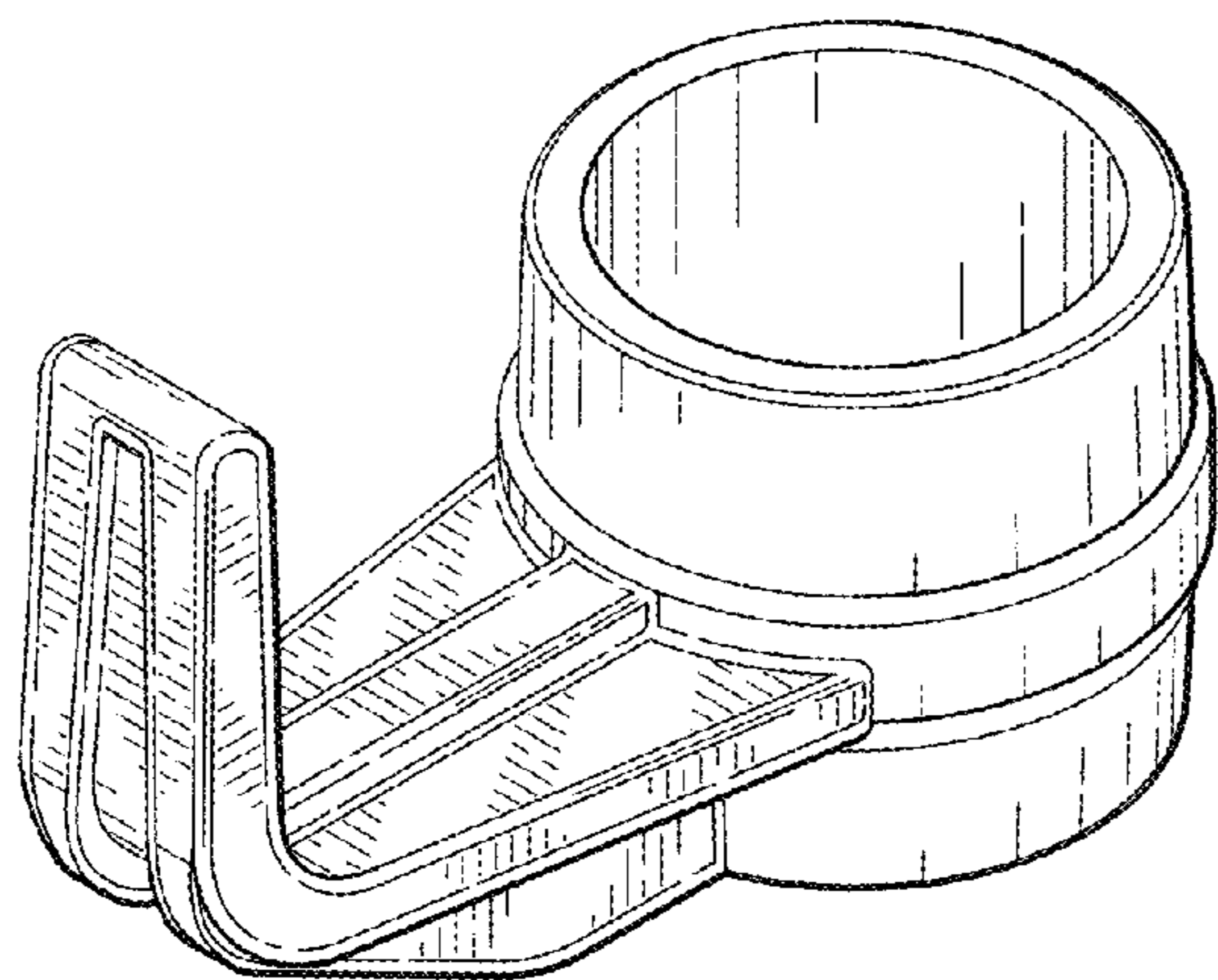


FIG. 1

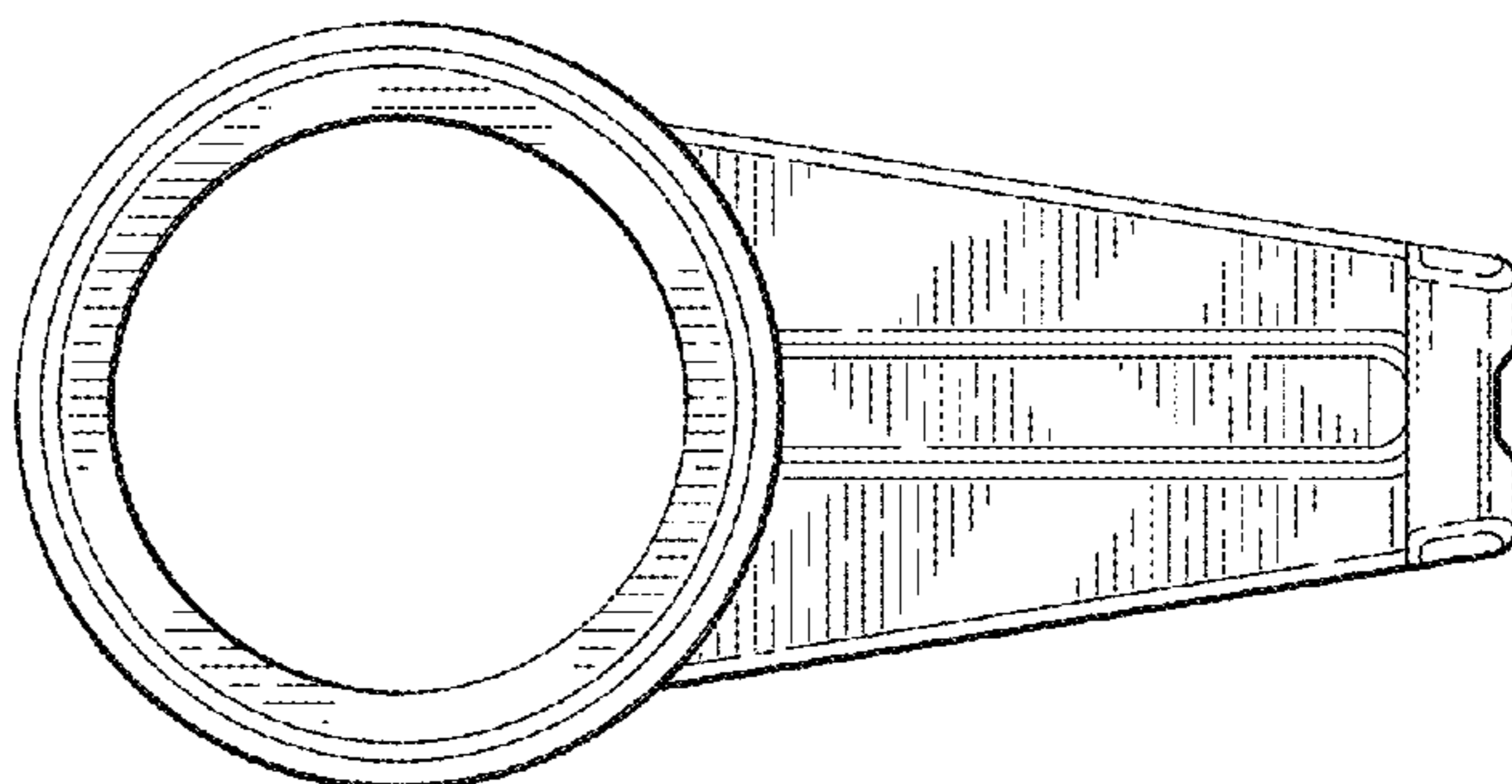


FIG. 2

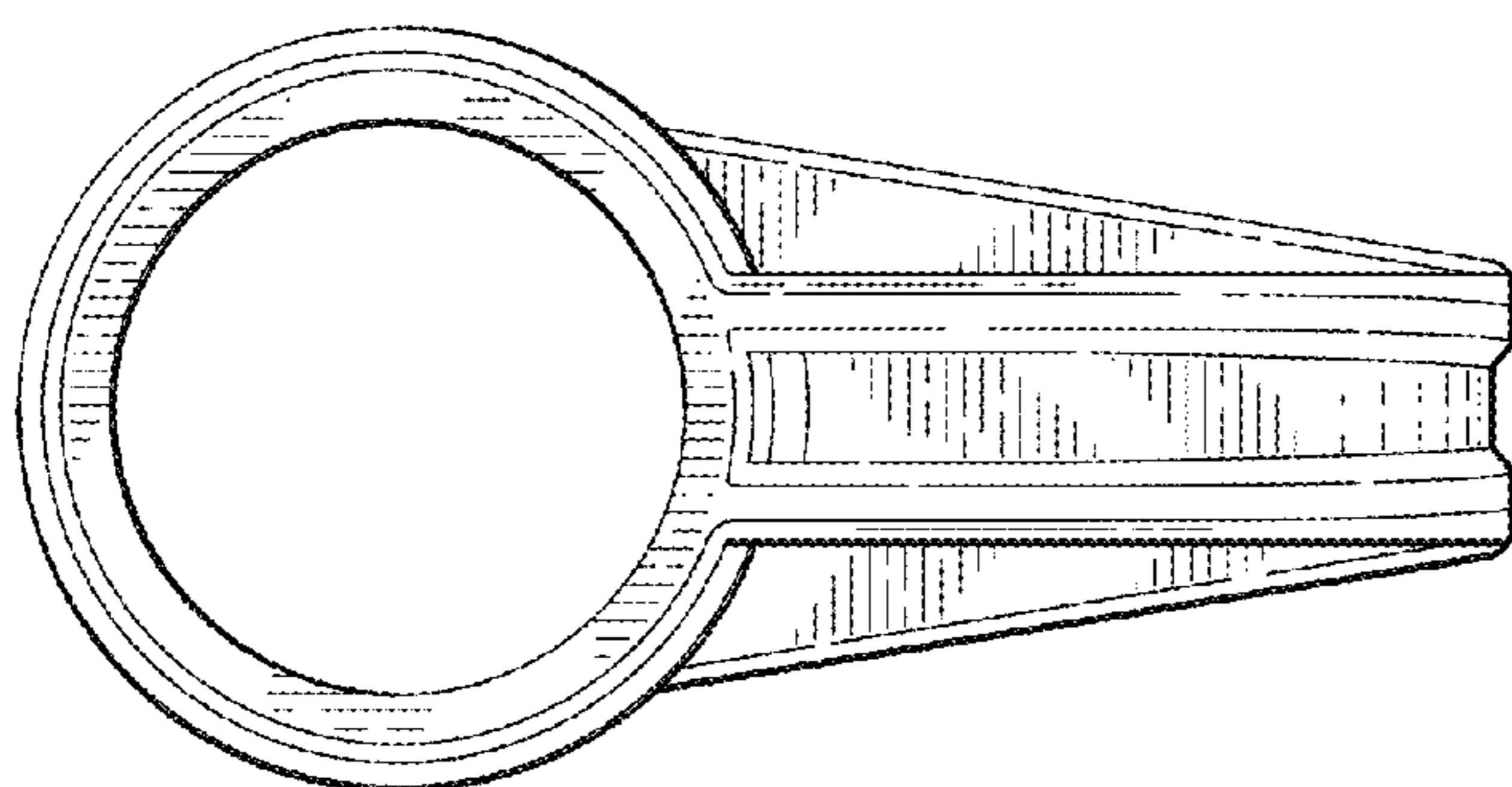


FIG. 3

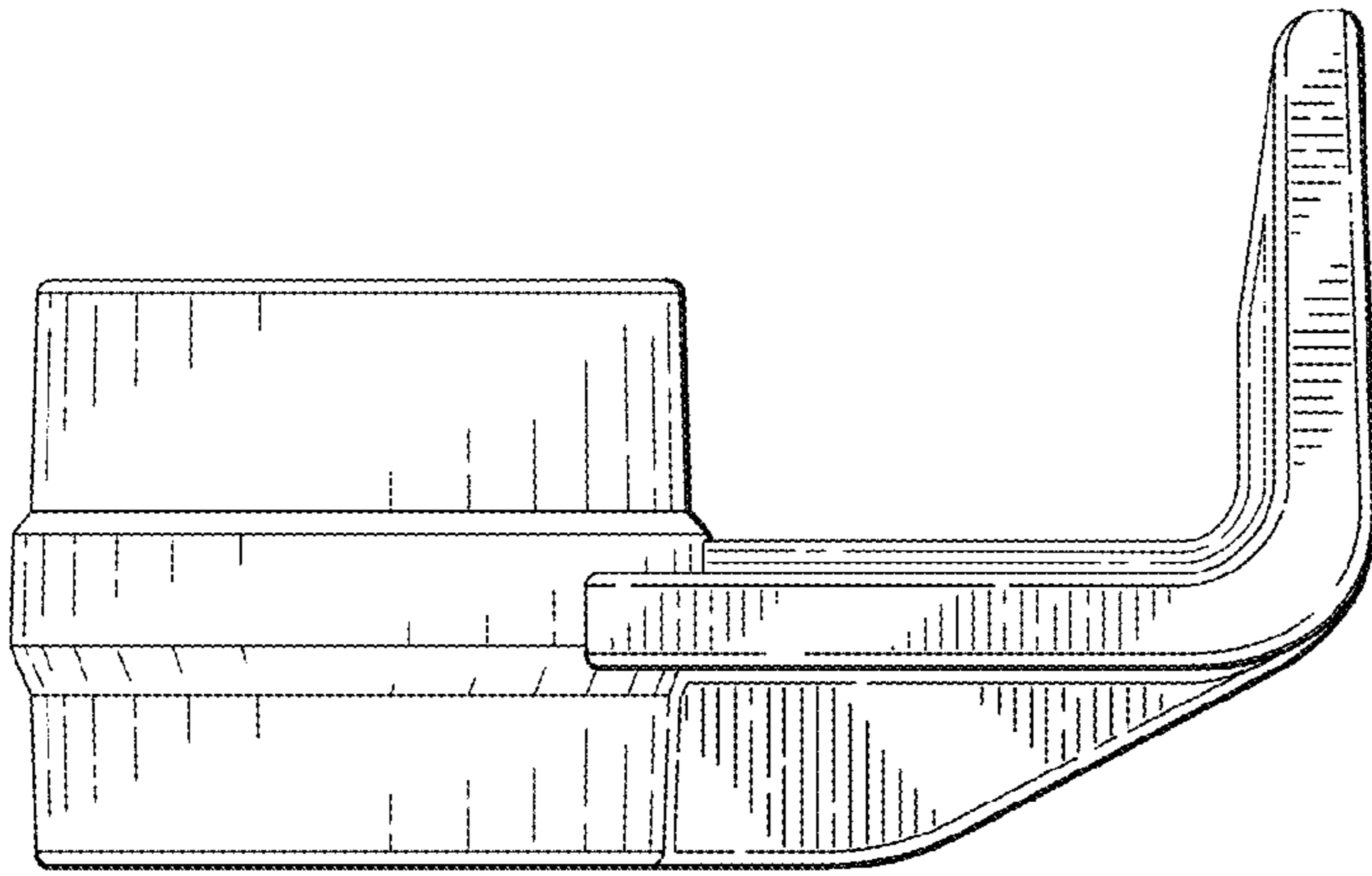


FIG. 4

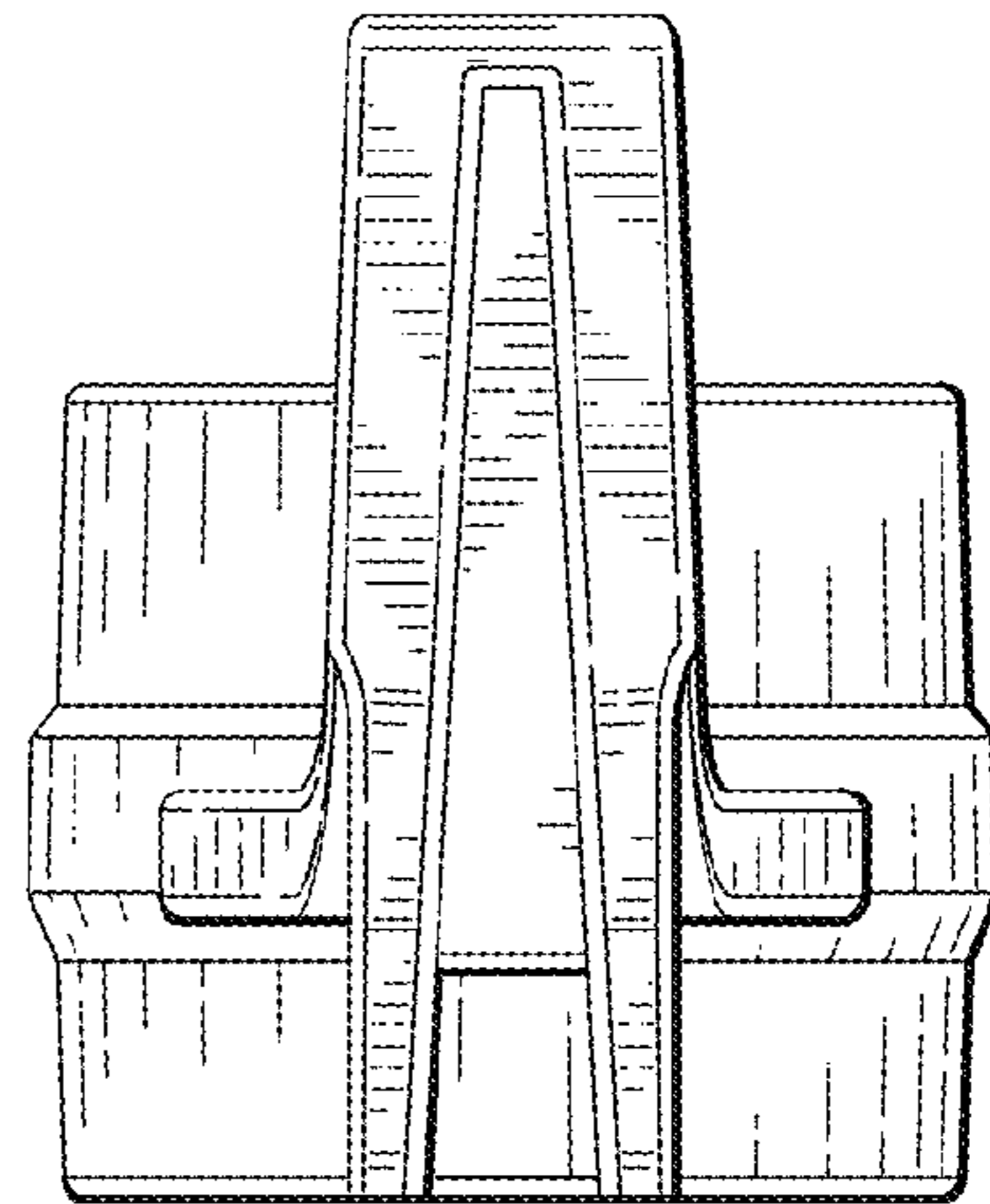


FIG. 5

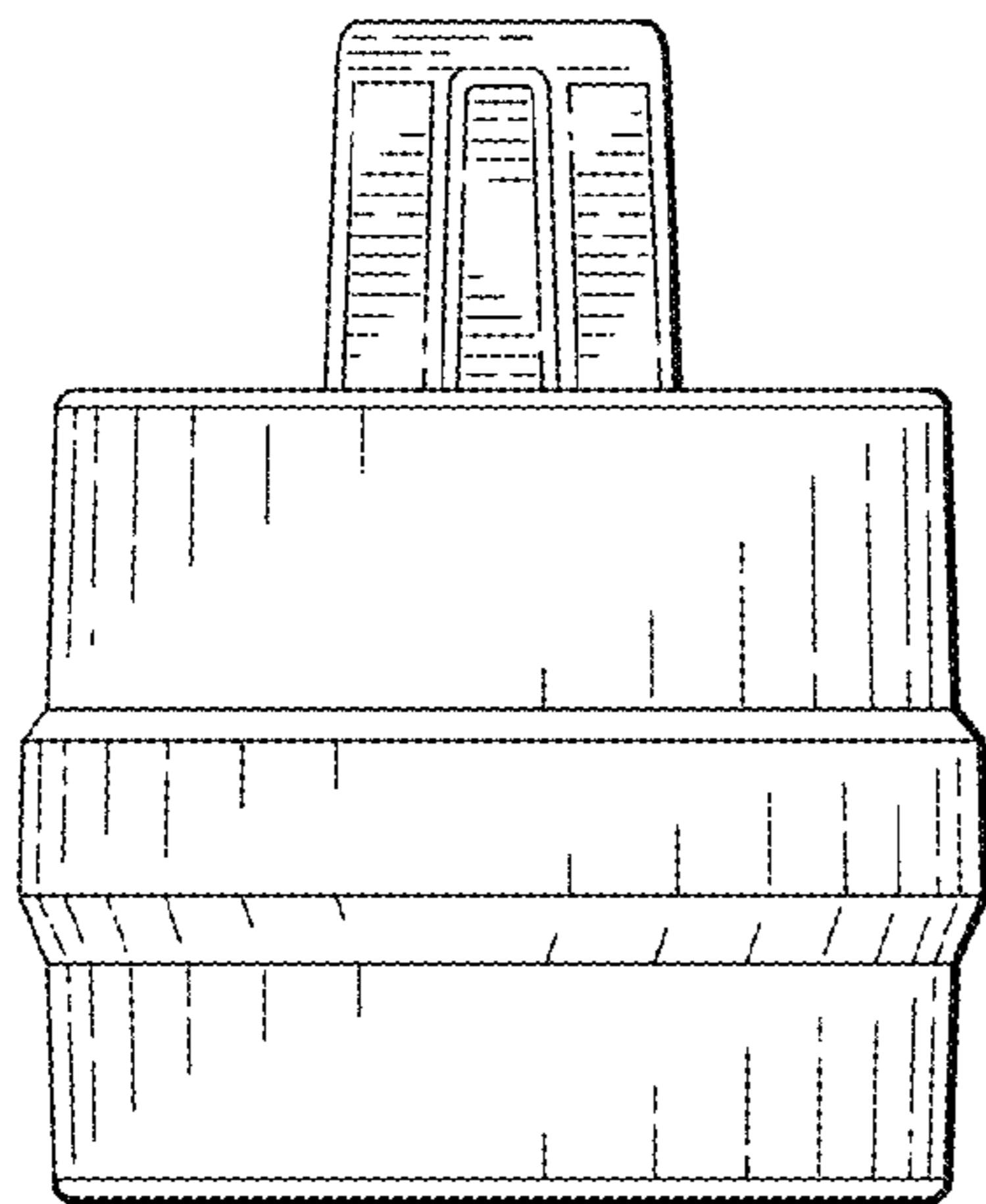


FIG. 6