



US00D683203S

(12) **United States Design Patent**
Dasbach et al.

(10) **Patent No.:** **US D683,203 S**
(45) **Date of Patent:** **** May 28, 2013**

(54) **RELEASABLE PRY BAR**

(76) Inventors: **Gerald L. Dasbach**, Spring, TX (US);
Will Harris, Spring, TX (US)

(**) **Term:** **14 Years**

(21) **Appl. No.:** **29/417,475**

(22) **Filed:** **Apr. 4, 2012**

Related U.S. Application Data

(60) Division of application No. 12/559,323, filed on Sep. 14, 2009, now Pat. No. 8,240,017, which is a continuation of application No. 11/926,649, filed on Oct. 29, 2007, now Pat. No. 7,587,800.

(51) **LOC (9) Cl.** **08-05**

(52) **U.S. Cl.**
USPC **D8/89**

(58) **Field of Classification Search**
USPC D8/14, 31, 47, 71, 76, 80-81, 88-89,
D8/105, 107; 7/166-167; 254/18, 21, 25,
254/129-131; 29/244, 267

See application file for complete search history.

(56) **References Cited**

U.S. PATENT DOCUMENTS

1,371,484 A * 3/1921 Howard 73/40
2,557,000 A * 6/1951 Holmes 29/244
D278,791 S * 5/1985 Stultz et al. D8/88

D376,746 S * 12/1996 Abeyta D8/88
D378,983 S * 4/1997 Nall D8/107
6,279,885 B1 * 8/2001 Leon, Jr. 269/8
D458,104 S * 6/2002 Halstead et al. D8/88
6,707,360 B2 * 3/2004 Underwood et al. 335/288
7,012,495 B2 * 3/2006 Underwood et al. 335/288
7,587,800 B2 * 9/2009 Dasbach et al. 29/267
7,979,968 B2 * 7/2011 Traska 29/267
8,240,017 B2 * 8/2012 Dasbach et al. 29/267
2004/0239460 A1 * 12/2004 Kocijan 335/207
2010/0213424 A1 * 8/2010 Dasbach et al. 254/131

OTHER PUBLICATIONS

Magswitch Mag Pry. Downloaded from <http://www.amazon.com/Magswitch-Mag-Pry/dp/B007Q6YRM8> on Jan. 11, 2013.*

* cited by examiner

Primary Examiner — Philip S Hyder

Assistant Examiner — Roselynn Cody

(74) *Attorney, Agent, or Firm* — Edmonds & Nolte, PC

(57) **CLAIM**

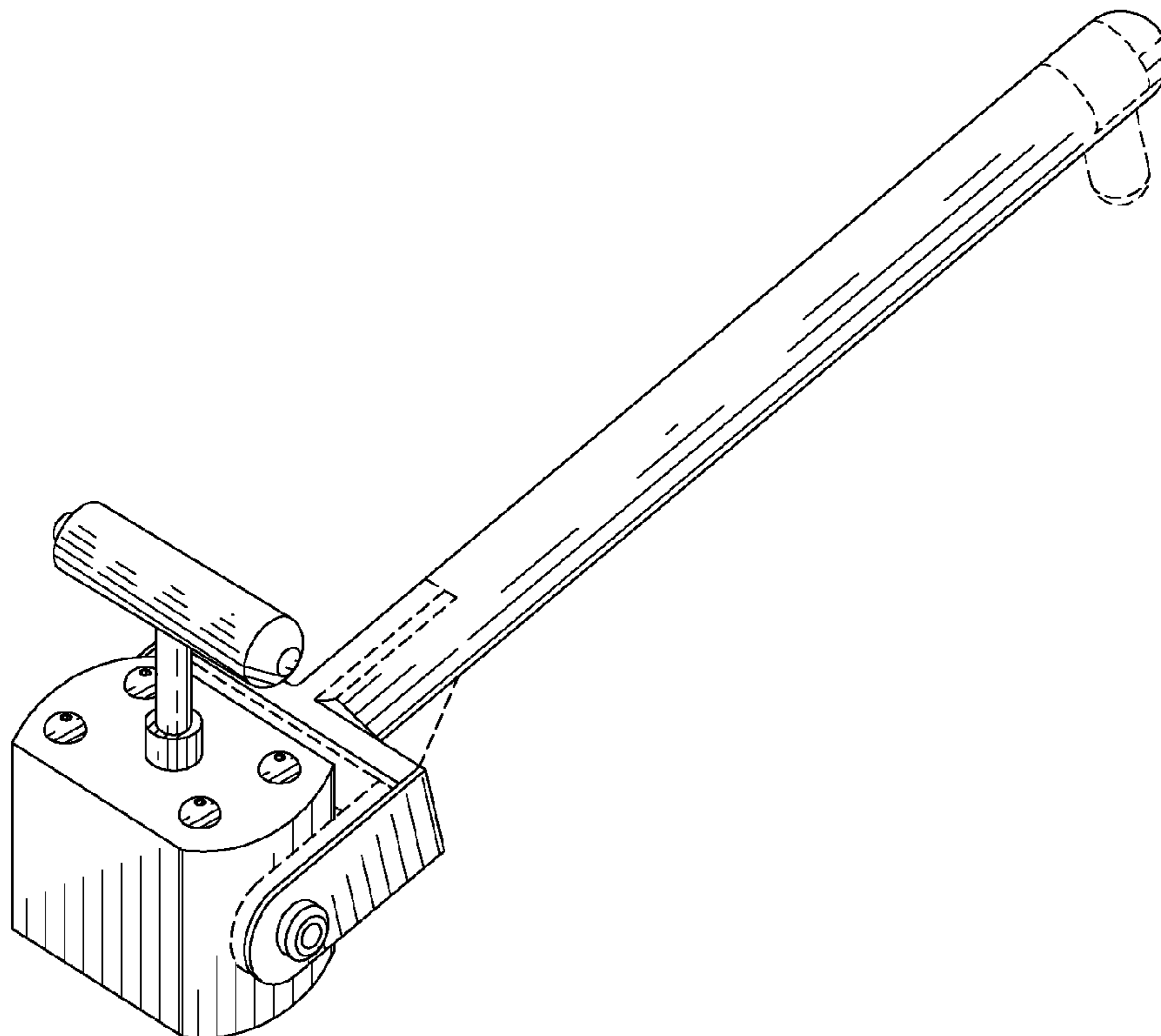
The ornamental design for a releasable pry bar, as shown and described.

DESCRIPTION

FIG. 1 is a perspective view of a releasable pry bar; and, FIG. 2 is a side view thereof, wherein the opposing side view is a mirror image.

The claimed design is a tool for applying force on a work-piece. The broken lines in the drawings illustrate features of the releasable pry bar that form no part of the claim.

1 Claim, 2 Drawing Sheets



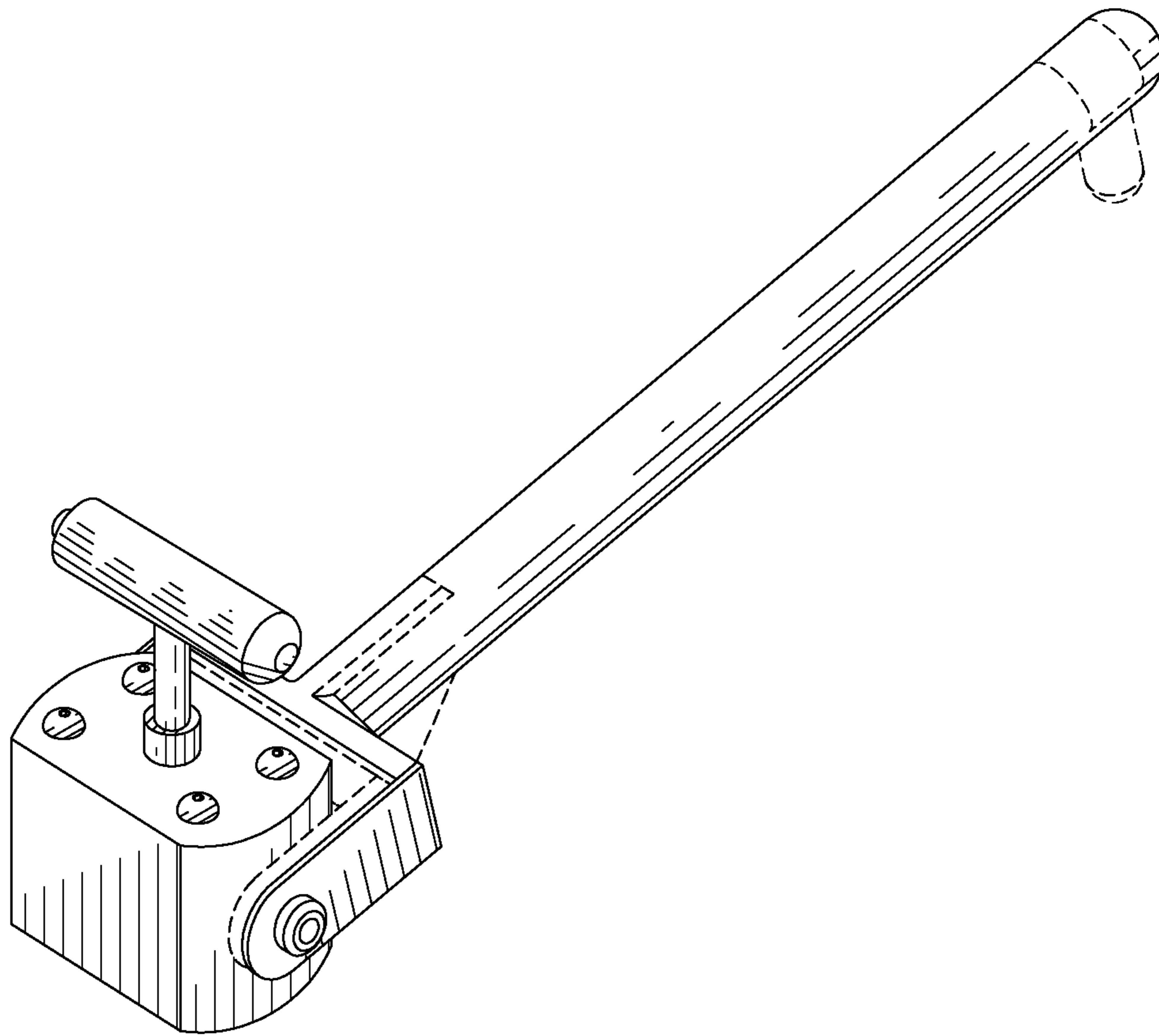


FIG. 1

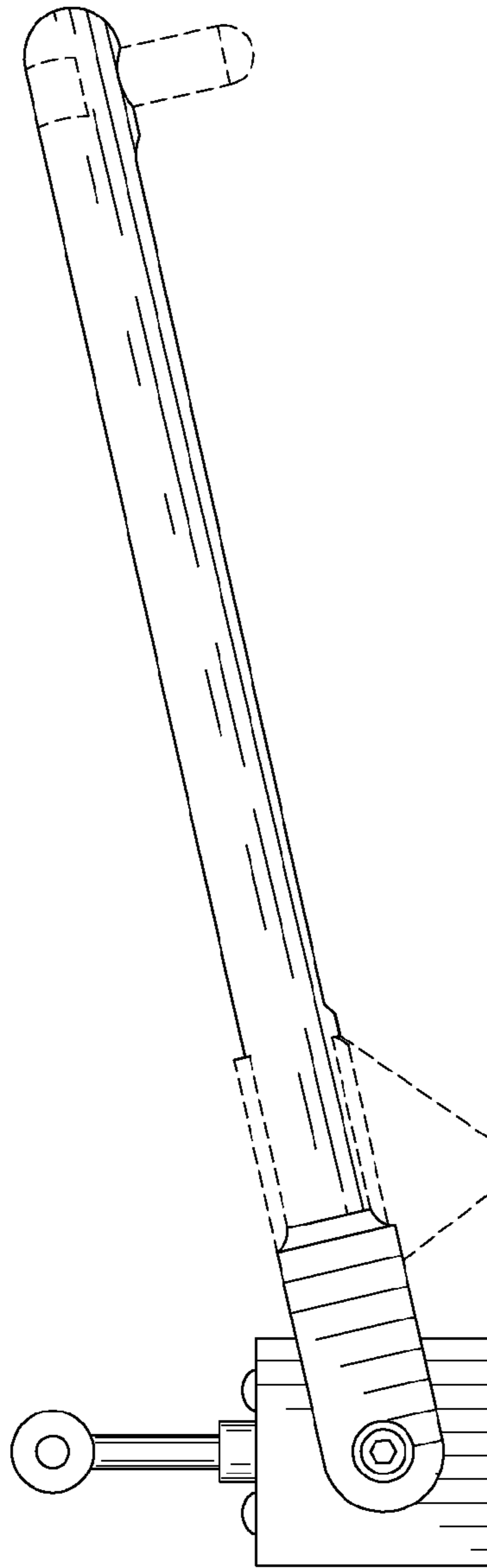


FIG. 2