



US00D683201S

(12) **United States Design Patent**
Gooden

(10) **Patent No.:** **US D683,201 S**

(45) **Date of Patent:** **** May 28, 2013**

(54) **ROOT DIRECTOR**

(75) Inventor: **Benjamin D. Gooden**, Singleton (AU)

(73) Assignee: **Woodchuck Landscape Systems**,
Singleton, NSW (AU)

(**) Term: **14 Years**

(21) Appl. No.: **29/394,289**

(22) Filed: **Jun. 15, 2011**

(51) **LOC (9) Cl.** **08-01**

(52) **U.S. Cl.**
USPC **D8/1**

(58) **Field of Classification Search** D8/1, 349,
D8/382; D23/213, 262, 229, 212; 47/79,
47/63, 78, 33

See application file for complete search history.

(56) **References Cited**

U.S. PATENT DOCUMENTS

- 4,622,775 A * 11/1986 Glenn et al. 47/63
- 4,665,645 A * 5/1987 Schau et al. 47/32.7
- D319,291 S * 8/1991 Hanzel D23/213
- 5,371,967 A * 12/1994 Albrecht 47/78
- D424,386 S * 5/2000 Lundeen et al. D8/1

- D560,469 S * 1/2008 Bartol et al. D8/349
- D572,342 S * 7/2008 Huang D23/229
- D607,547 S * 1/2010 Maier et al. D23/262
- 8,065,834 B2 * 11/2011 Eckert 47/66.1

OTHER PUBLICATIONS

City Green, Root Director C Series, 2011, <http://www.citygreen.com/products/root-management/root-director-c-series/>.*

* cited by examiner

Primary Examiner — Sheryl Lane

(57) **CLAIM**

The ornamental design for root director, as shown and described.

DESCRIPTION

FIG. 1 illustrates a perspective view of a root director showing my new design;

FIG. 2 illustrates a top view thereof;

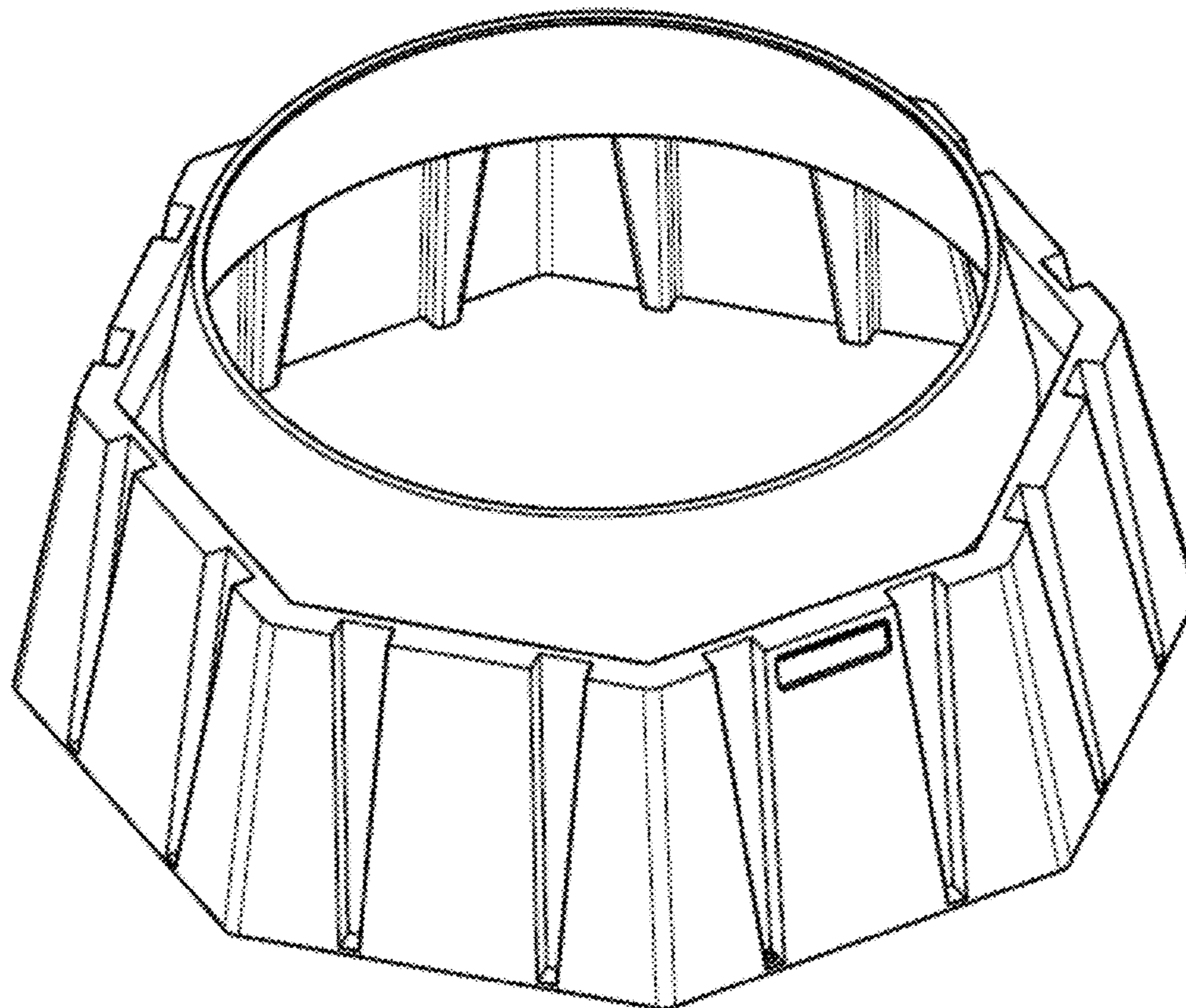
FIG. 3 illustrates a front view thereof;

FIG. 4 illustrates a side view thereof; and,

FIG. 5 illustrates a bottom view thereof.

The portions of the root director shown in dotted line forms no part of the claimed design.

1 Claim, 5 Drawing Sheets



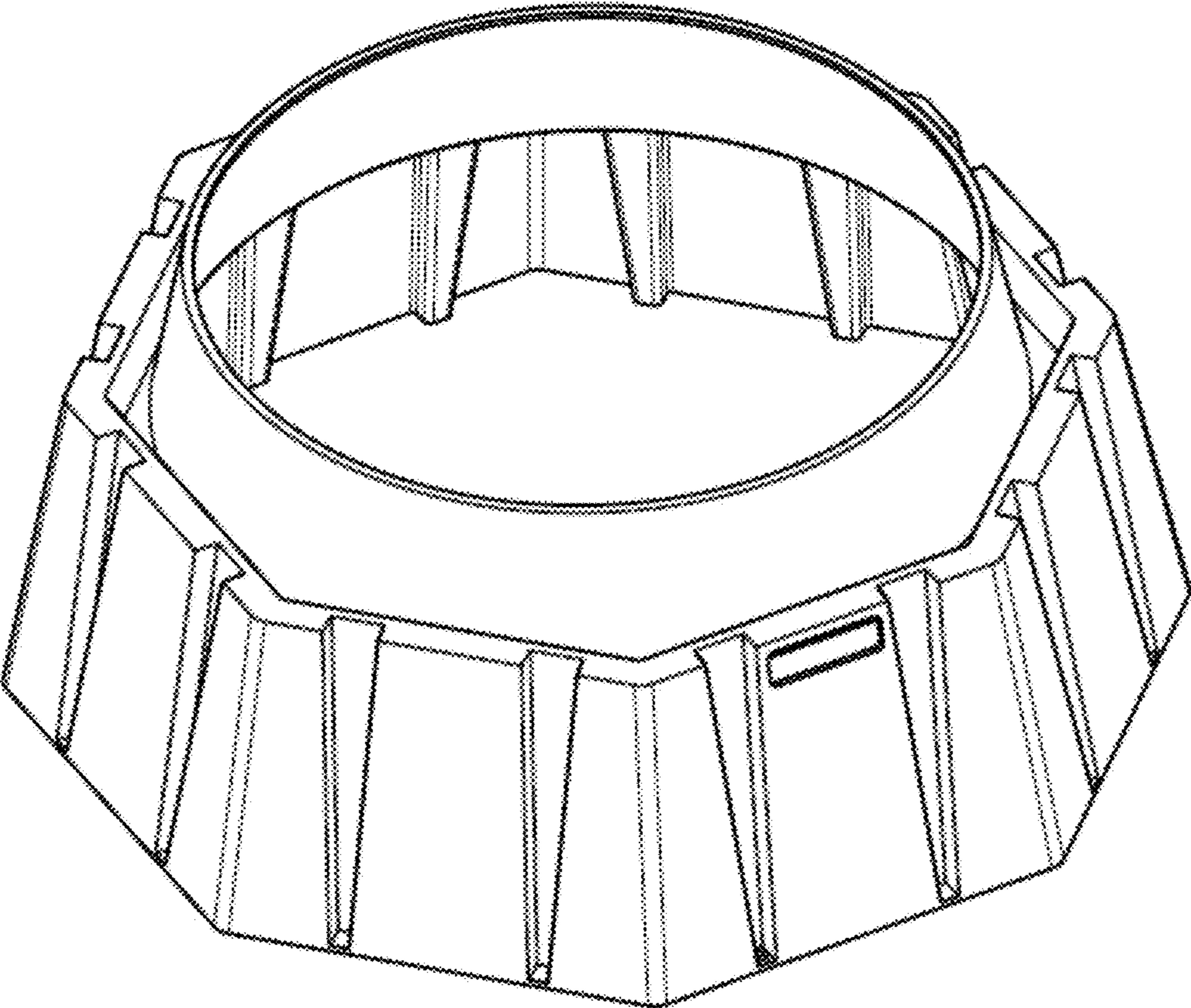


FIG. 1

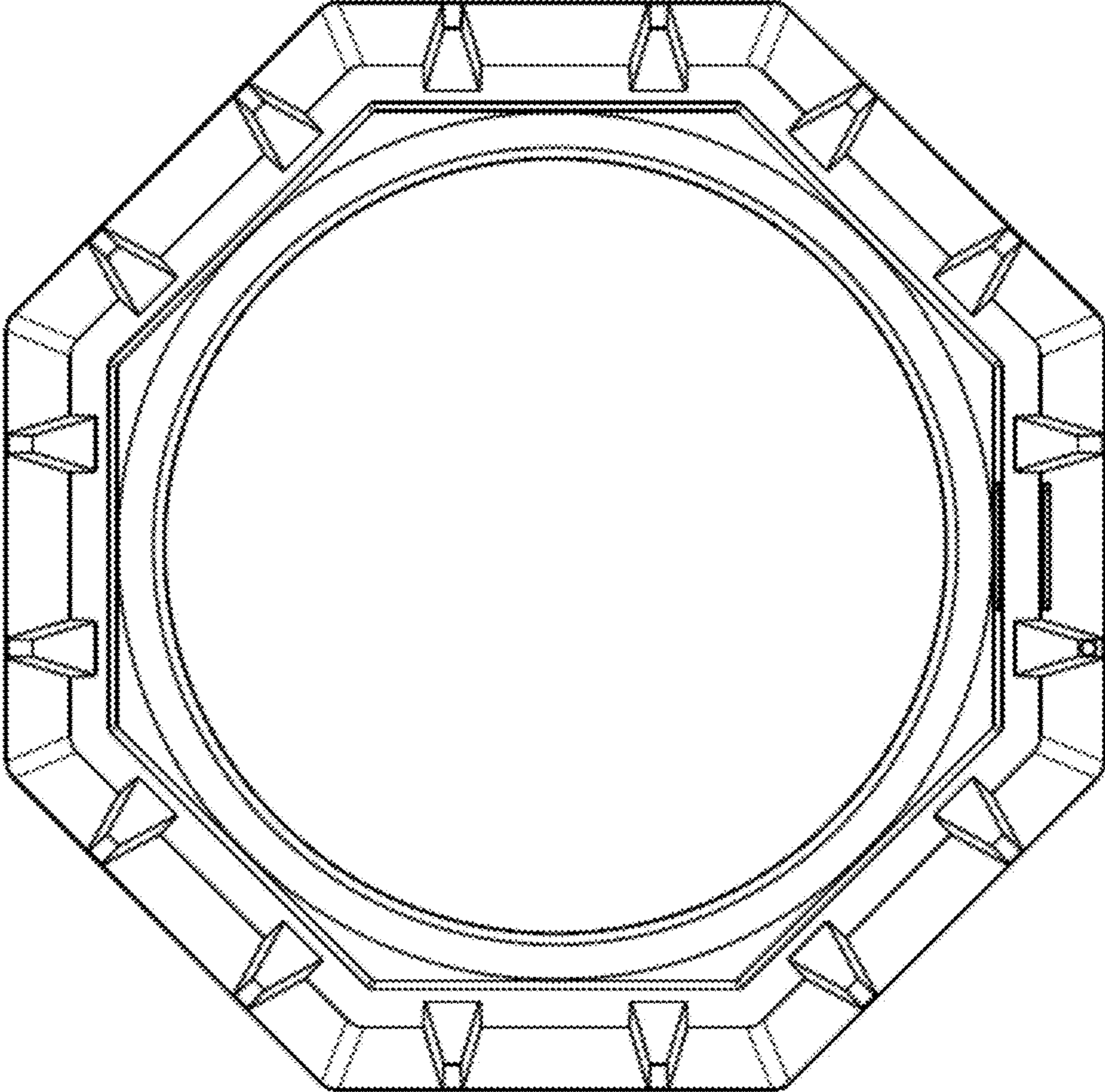


FIG. 2

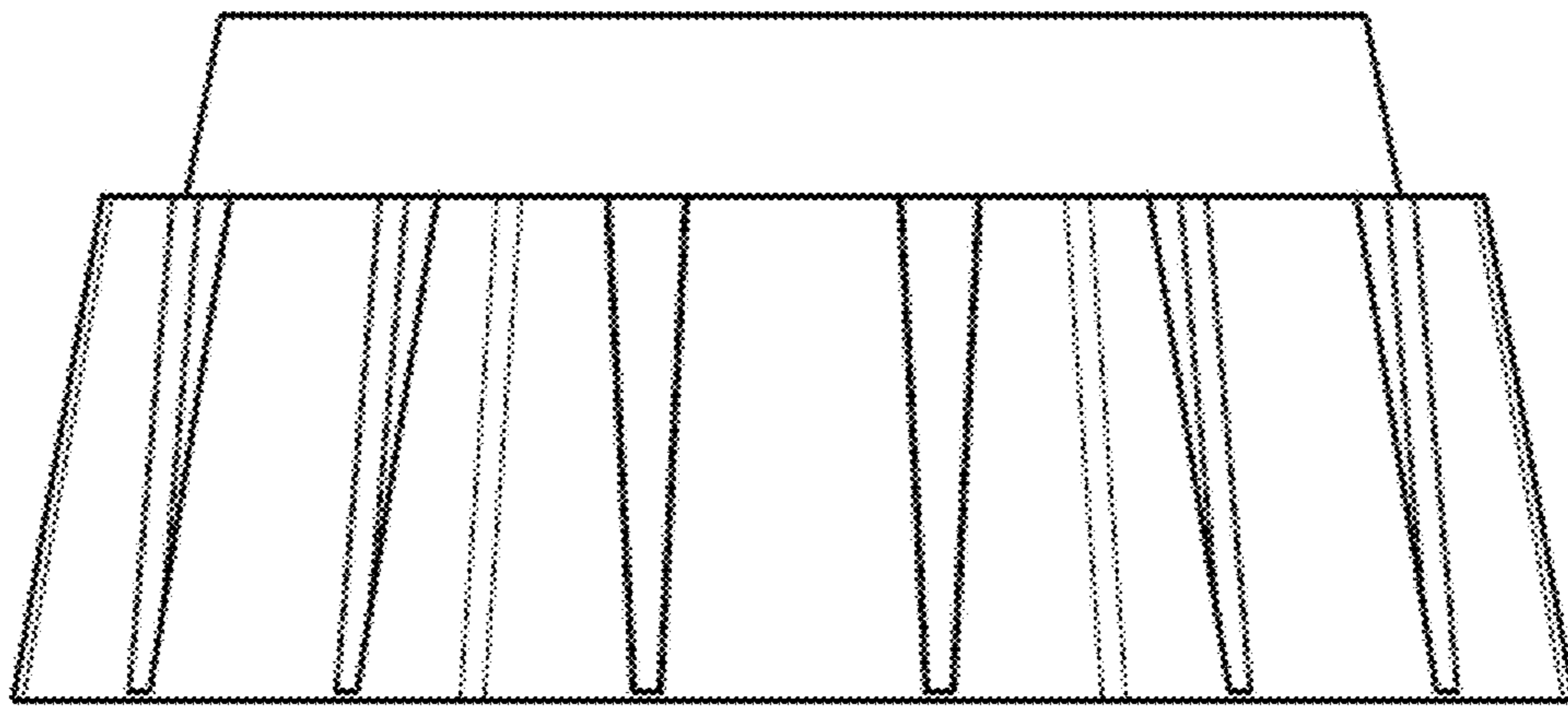


FIG. 3

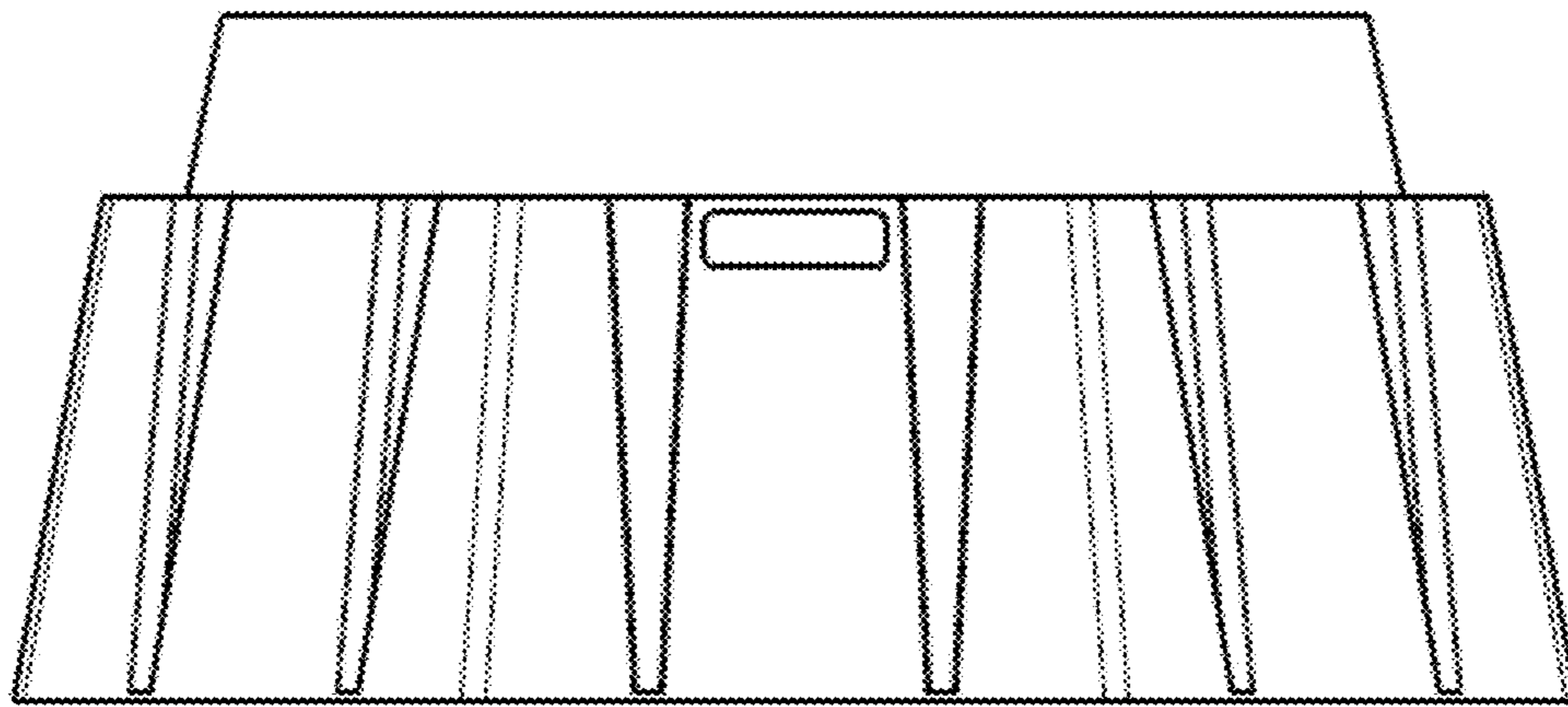


FIG. 4

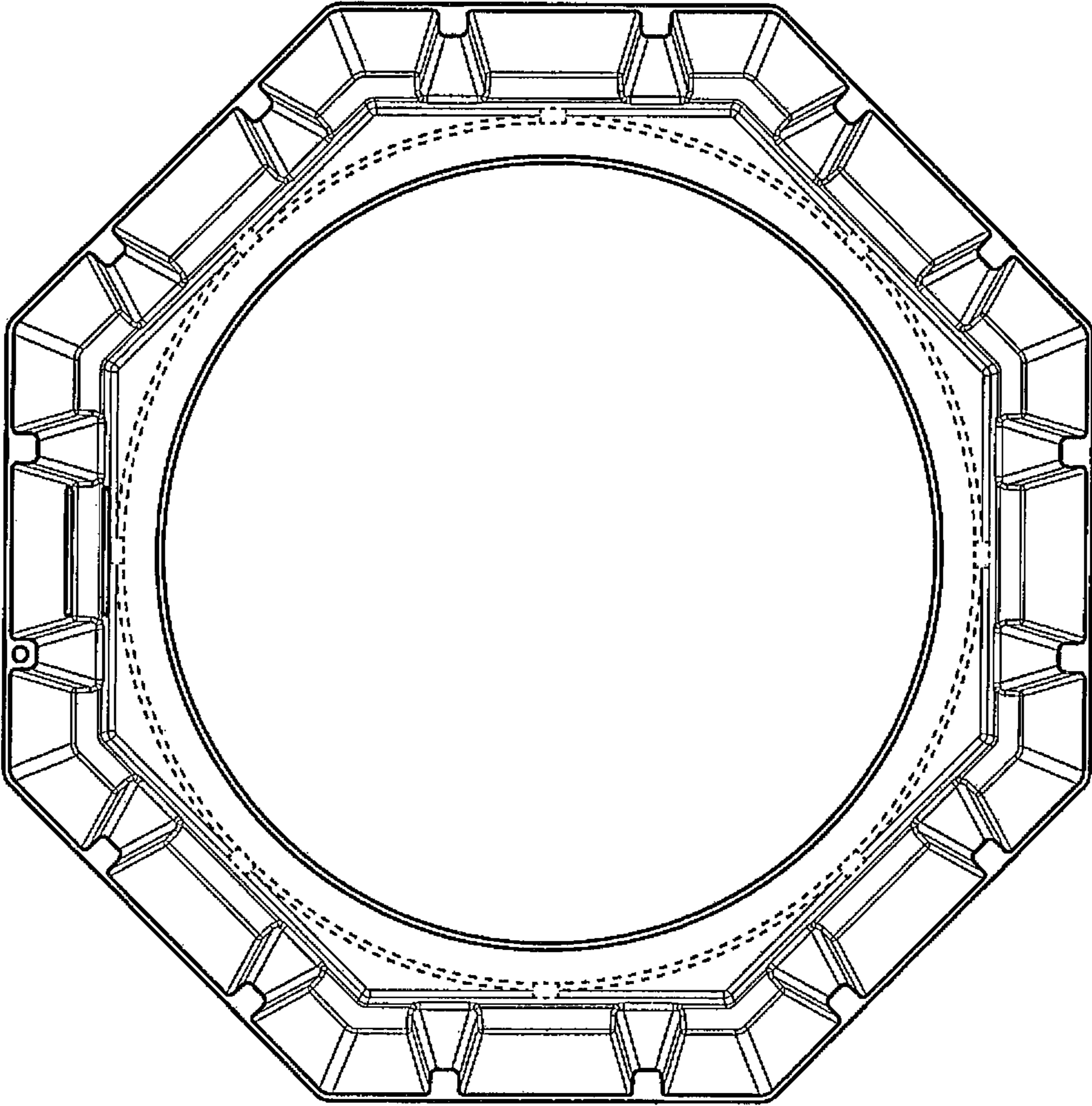


FIG. 5