



US00D683198S

(12) **United States Design Patent**
Kent

(10) **Patent No.:** **US D683,198 S**

(45) **Date of Patent:** **** May 28, 2013**

(54) **CANNING JAR LIFTER**

(75) Inventor: **Joseph Kent**, Seattle, WA (US)

(73) Assignee: **Progressive International Corporation**,
Kent, WA (US)

(**) Term: **14 Years**

(21) Appl. No.: **29/411,846**

(22) Filed: **Jan. 26, 2012**

(51) **LOC (9) Cl.** **07-06**

(52) **U.S. Cl.**
USPC **D7/687; D7/686**

(58) **Field of Classification Search**
USPC ... D7/368, 669, 683, 686, 687, 688; 294/902,
294/1-119, 300, 99.2; 81/415, 418; D24/143;
99/325, 352

See application file for complete search history.

(56) **References Cited**

U.S. PATENT DOCUMENTS

1,330,487	A *	2/1920	Mullen	294/31.1
1,343,518	A *	6/1920	Masker	294/28
1,775,309	A *	9/1930	Culp	294/28
2,421,509	A *	6/1947	Knapp	294/31.1

D165,221	S *	11/1951	Dixon	D7/687
2,634,152	A *	4/1953	Dixon	294/31.1
3,153,554	A *	10/1964	Beihl	294/28
D340,113	S *	10/1993	Knoblauch et al.	D24/143
D381,873	S *	8/1997	De Bock	D7/687
7,036,859	B1 *	5/2006	Liao	294/16
2011/0298229	A1 *	12/2011	Hager et al.	294/31.1

* cited by examiner

Primary Examiner — Ian Simmons

Assistant Examiner — E Aldridge

(74) *Attorney, Agent, or Firm* — Lowe Graham Jones PLLC

(57) **CLAIM**

The ornamental design for a canning jar lifter, as shown and described.

DESCRIPTION

FIG. 1 is a perspective view of the canning jar lifter, showing my new design.

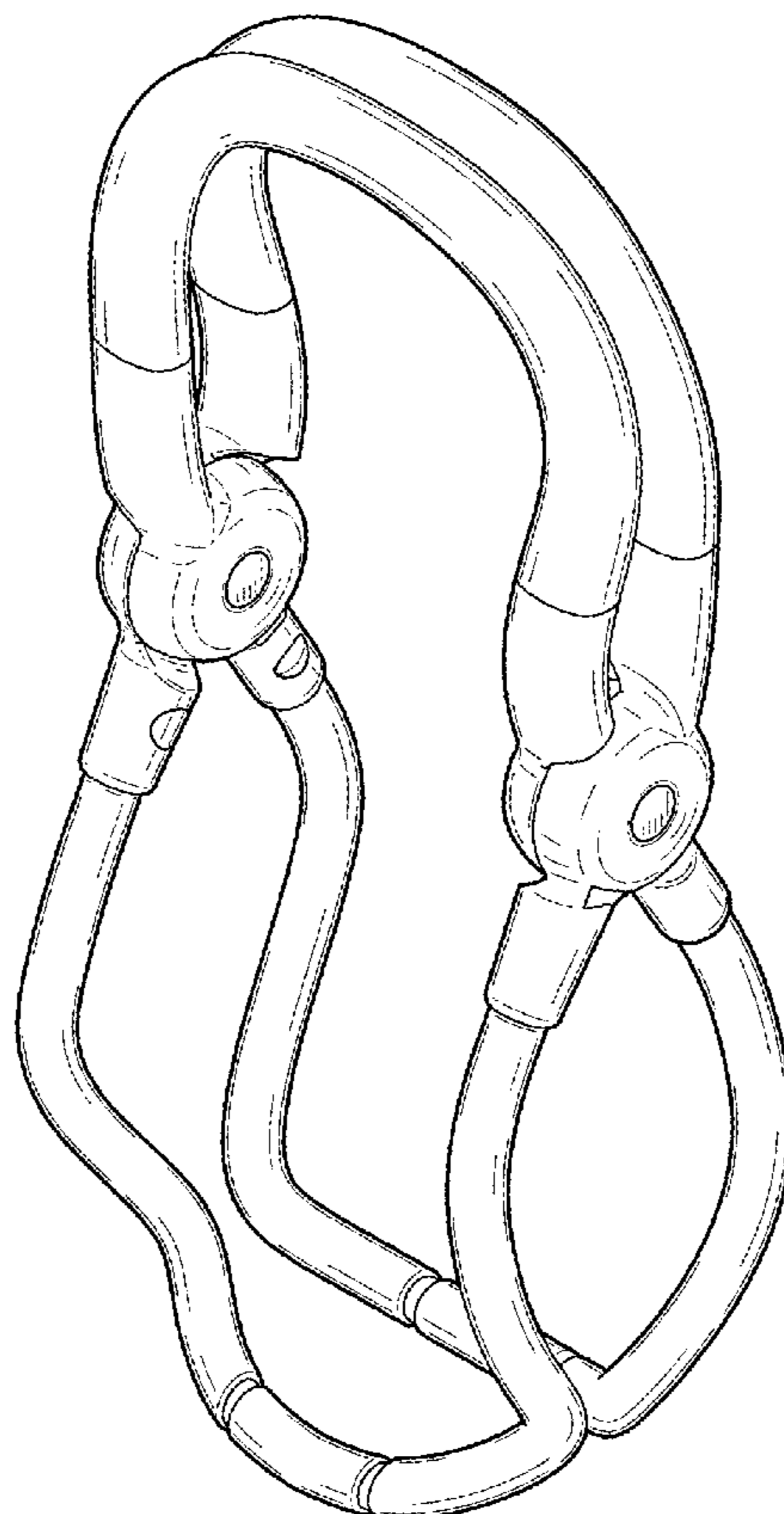
FIG. 2 is a front view of the canning jar lifter, the back view being a mirror image.

FIG. 3 is a left side view of the canning jar lifter, the right side view being a mirror image.

FIG. 4 is a top view of the canning jar lifter; and,

FIG. 5 is a bottom view of the canning jar lifter.

1 Claim, 3 Drawing Sheets



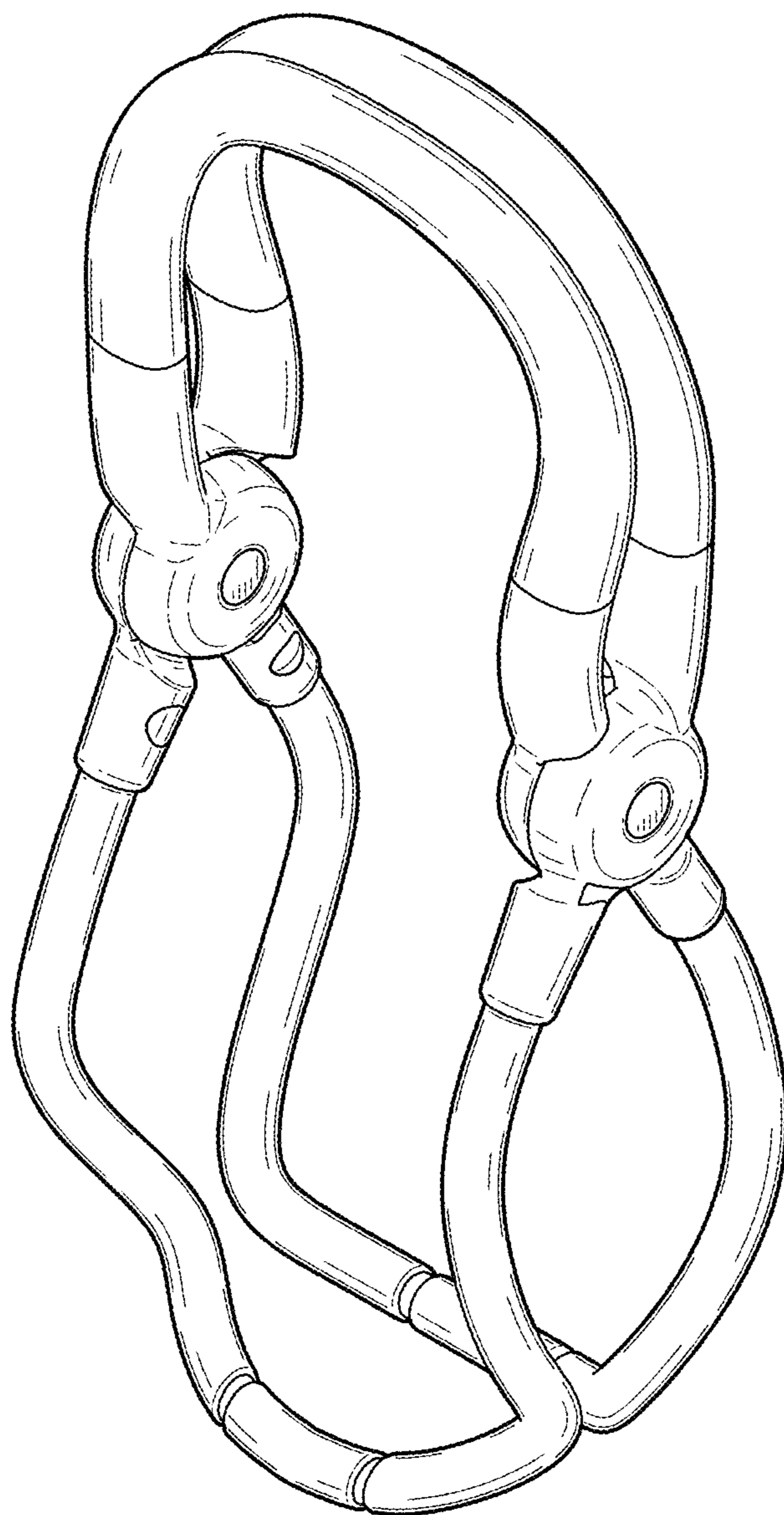


FIG. 1

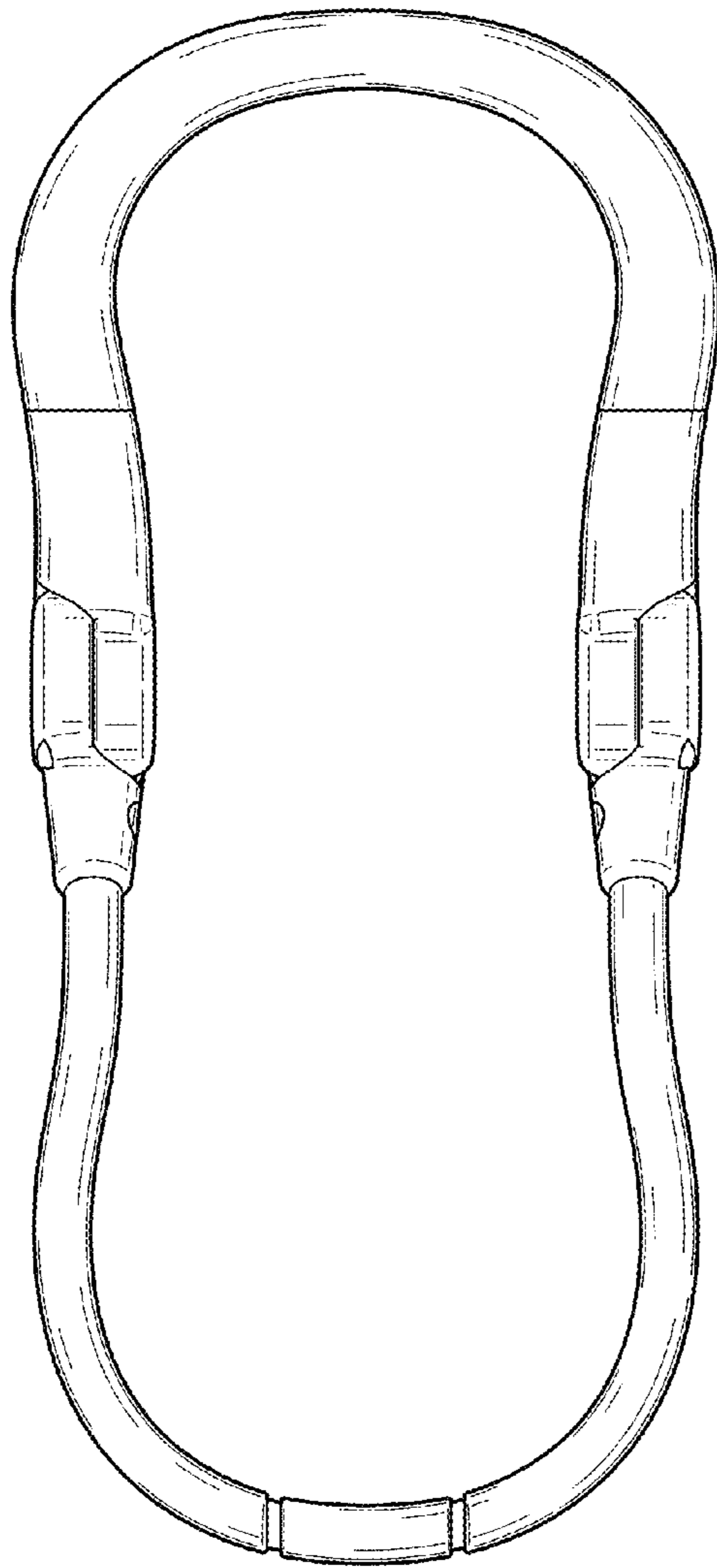


FIG. 2

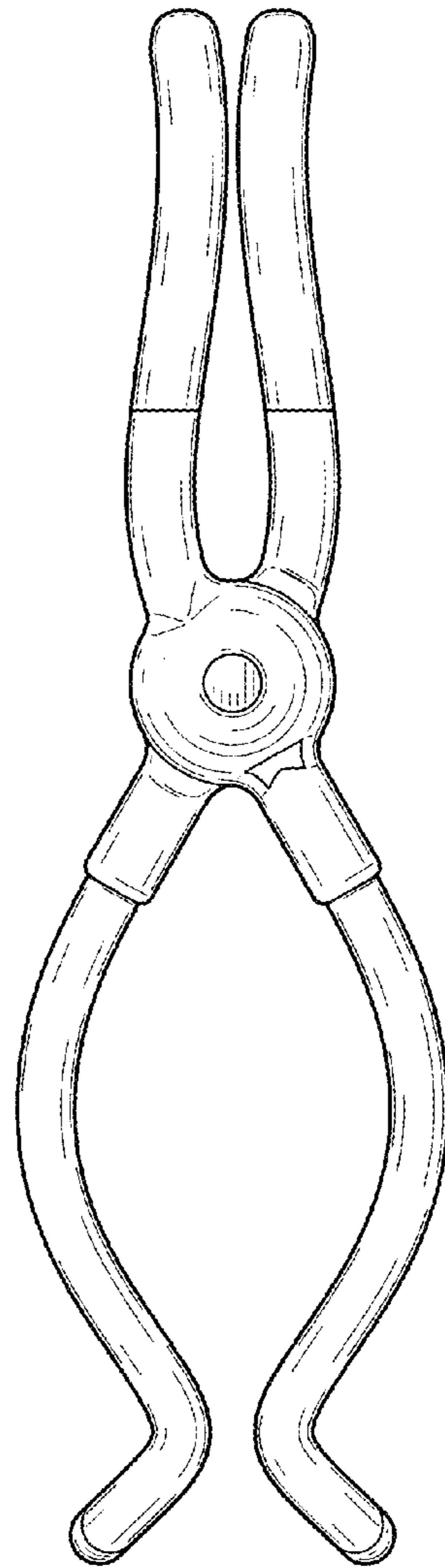


FIG. 3

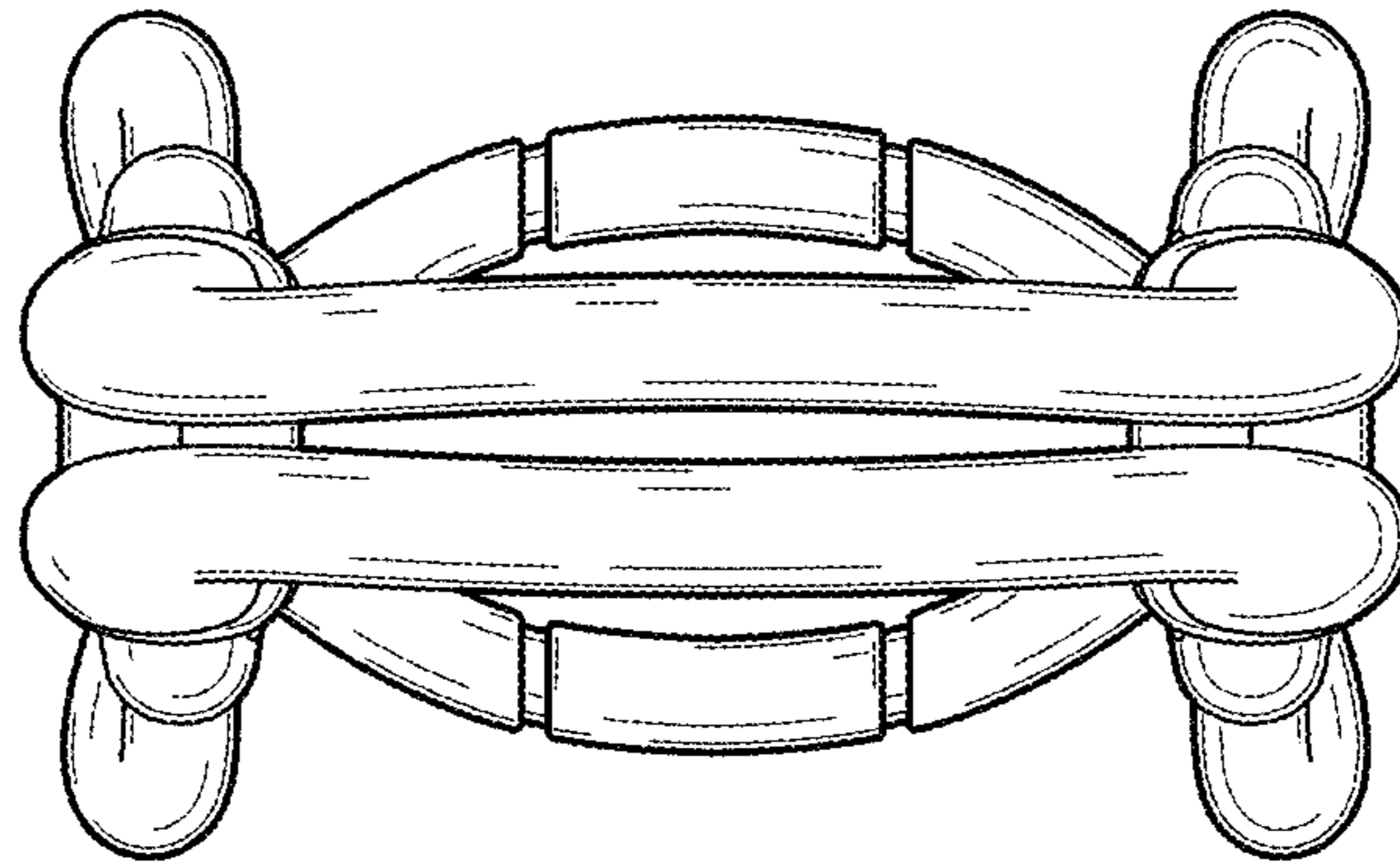


FIG. 4

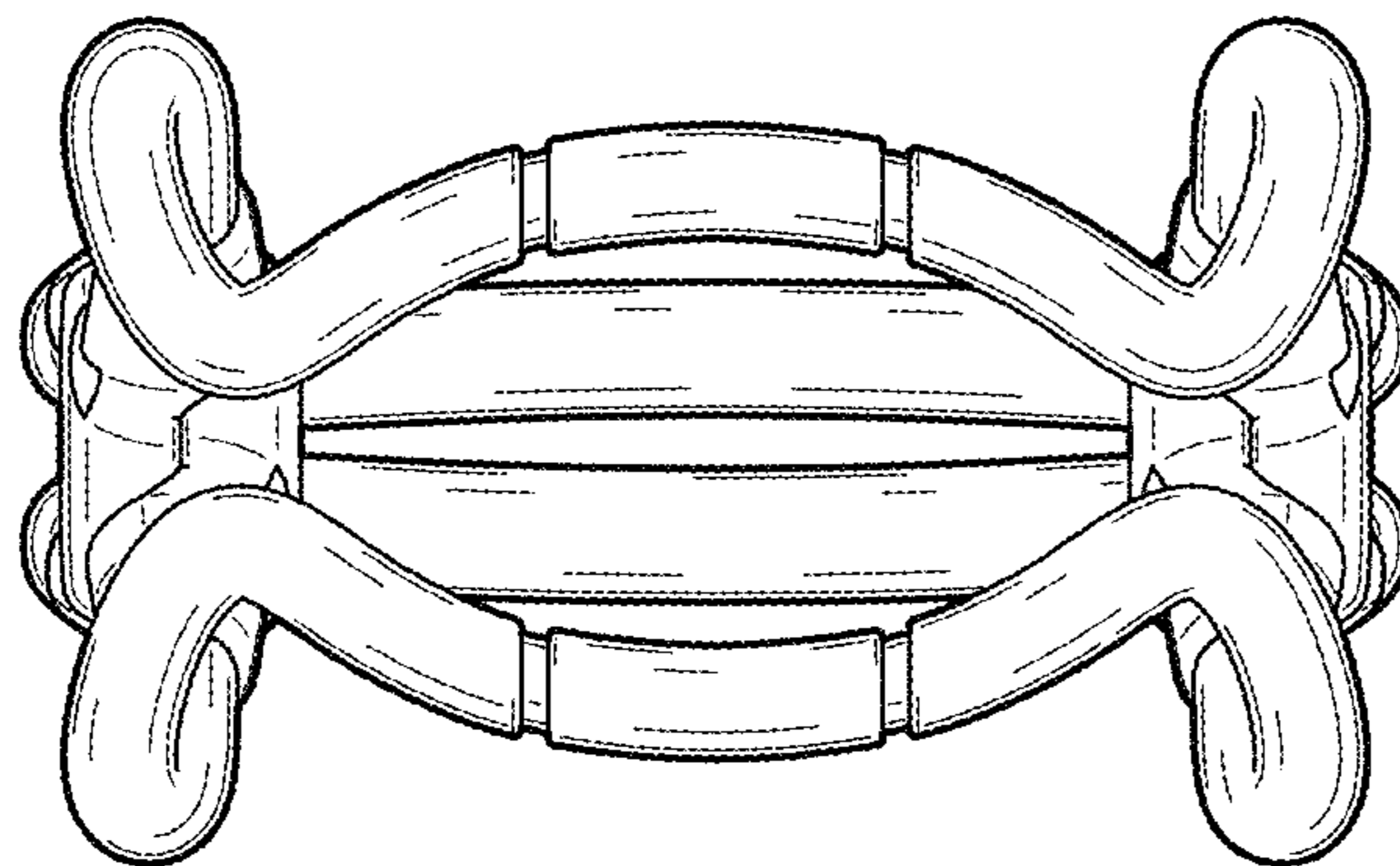


FIG. 5