



US00D683196S

(12) **United States Design Patent**
Natkiel

(10) **Patent No.:** **US D683,196 S**

(45) **Date of Patent:** **** May 28, 2013**

(54) **COOKIE STAMP**

(75) Inventor: **Lucy Natkiel**, Hill, NH (US)

(73) Assignee: **Hill Design, Inc.**, Hill, NH (US)

(**) Term: **14 Years**

(21) Appl. No.: **29/419,841**

(22) Filed: **May 2, 2012**

(51) **LOC (9) Cl.** **07-04**

(52) **U.S. Cl.**

USPC **D7/672**

(58) **Field of Classification Search**

USPC D7/672-677, 354, 368, 400, 665; D9/424,
D9/500, 502, 600, 644, 645, 655, 661, 662,
D9/761; 249/74, 102, 117, 120, 122, 127;
99/495, 496, 501, 502, 503, 505; 210/464;
D21/472; 206/423, 563, 822; 220/400, 403,
220/405, 406, 407, 659, 669, 674, 675, 800;
30/114, 123, 130, 151, 152, 154, 155, 159,
30/301-308, 314, 316, 321, 358, 359; D18/15,
D18/16; 100/214, 265, 266; 425/298, 299,
425/125

See application file for complete search history.

(56) **References Cited**

U.S. PATENT DOCUMENTS

534,632	A	*	2/1895	Coleman	249/127
D75,303	S	*	5/1928	Von Elm	D7/677
2,181,331	A	*	11/1939	Johnston, Jr.	266/278
3,834,437	A	*	9/1974	Swett et al.	249/139
D235,402	S	*	6/1975	Swett et al.	D7/391

D235,404	S	*	6/1975	Swett et al.	D7/677
D283,097	S	*	3/1986	Daenen et al.	D7/677
D288,052	S	*	2/1987	Daenen et al.	D7/672
D307,231	S	*	4/1990	Ciaccio	D7/354
5,425,527	A	*	6/1995	Selbak	249/122
D569,176	S	*	5/2008	Bodum	D7/400
D618,091	S	*	6/2010	Bizzell	D9/424

OTHER PUBLICATIONS

Rycraft, 2" Terra Cotta Cookie Stamps, www.cookiestamps.com/cookie_stamps, available as early as Apr. 26, 2012.

Rycraft, Aunt Jane's 3" Sugar Cookie Press, www.cookiestamps.com/cookie_press, available as early as Apr. 26, 2012.

* cited by examiner

Primary Examiner — Ian Simmons

Assistant Examiner — Shannon Weekley

(74) *Attorney, Agent, or Firm* — Saidman DesignLaw Group

(57) **CLAIM**

The ornamental design for a cookie stamp, as shown and described.

DESCRIPTION

FIG. 1 is a perspective view of a cookie stamp showing my new design;

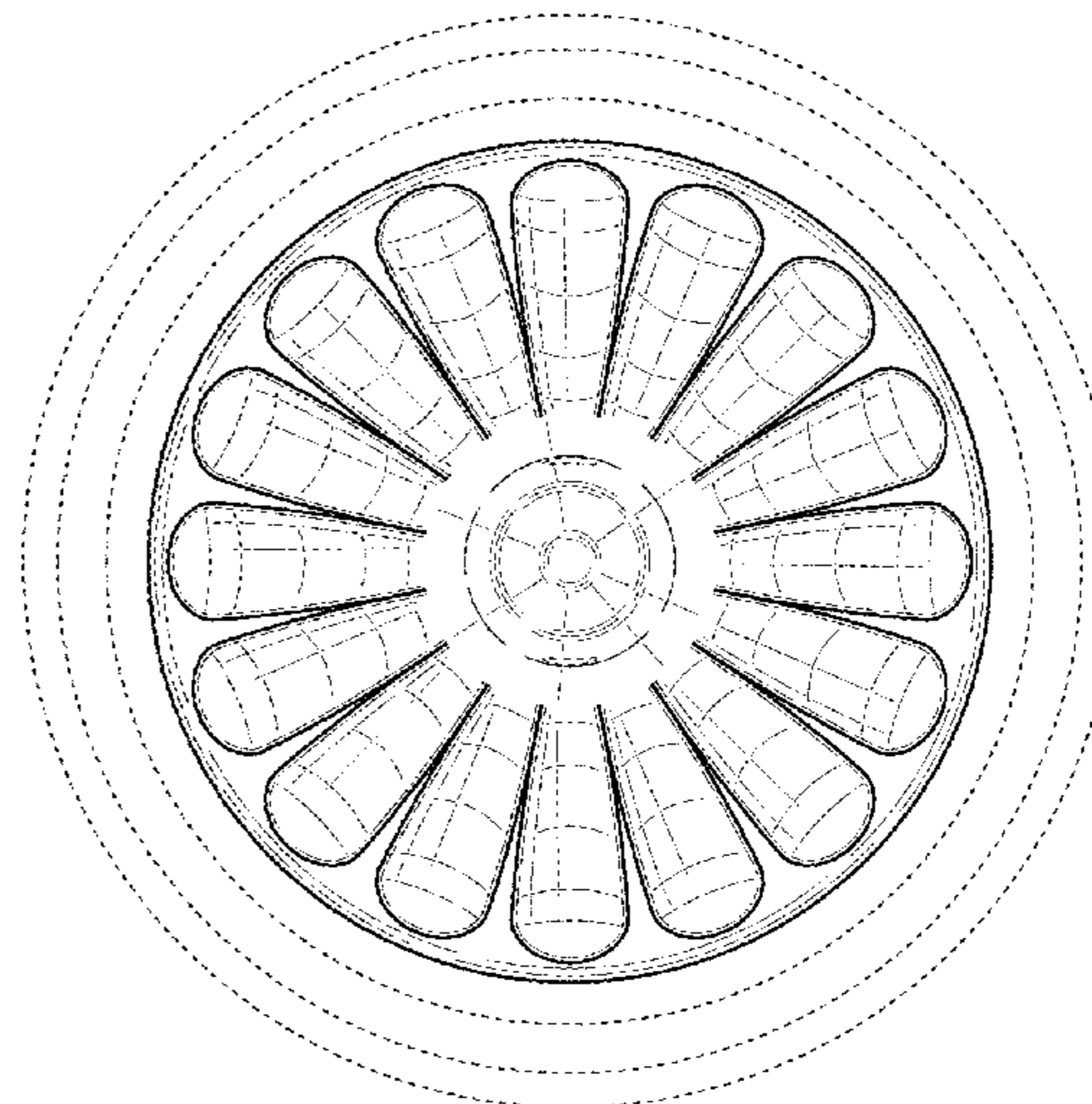
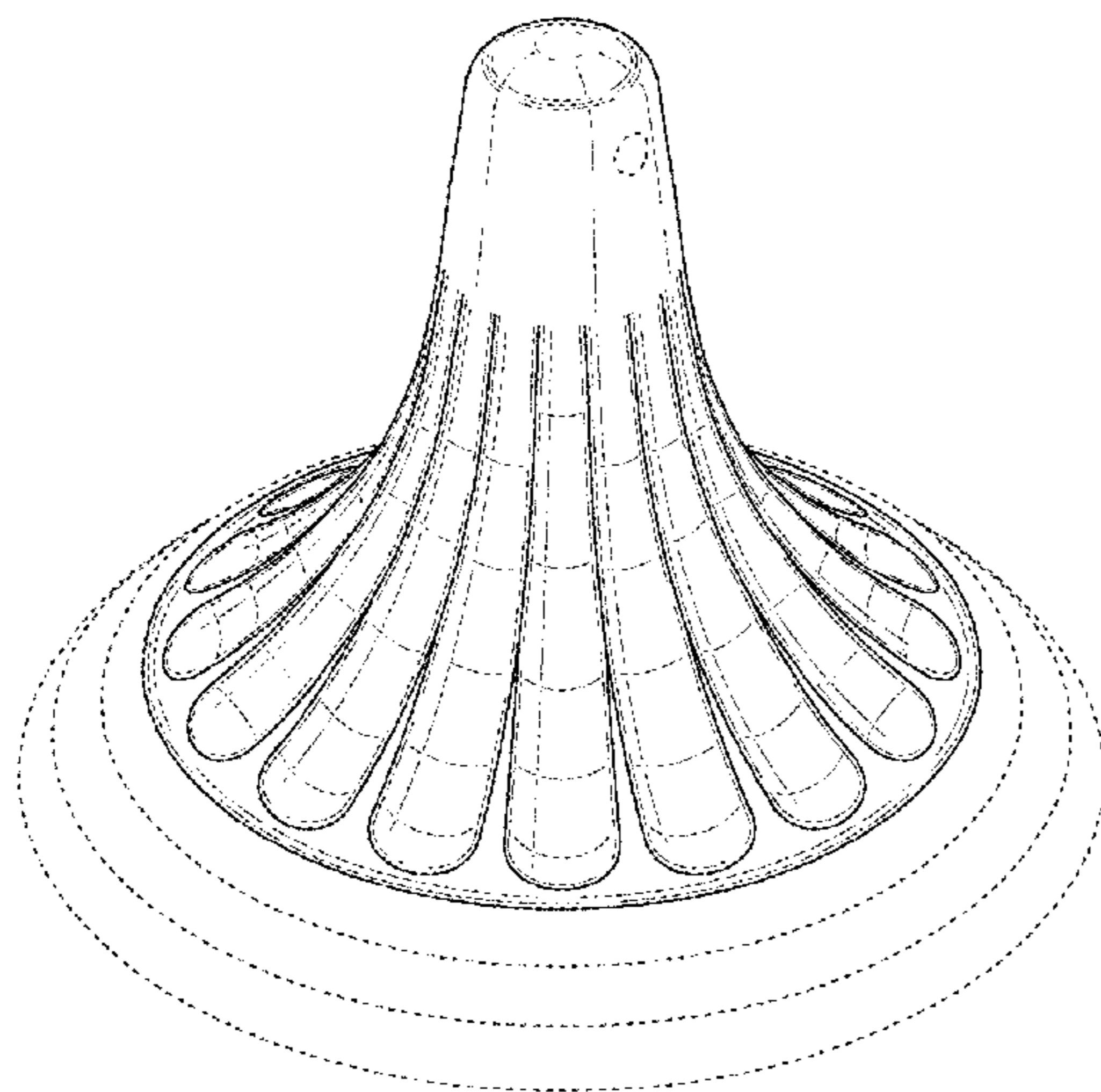
FIG. 2 is a front view thereof, the rear view being a mirror image thereof;

FIG. 3 is a left side view thereof, the right side view being a mirror image thereof; and,

FIG. 4 is a top view thereof.

The broken lines illustrate portions of the cookie stamp that form no part of the claimed design.

1 Claim, 2 Drawing Sheets



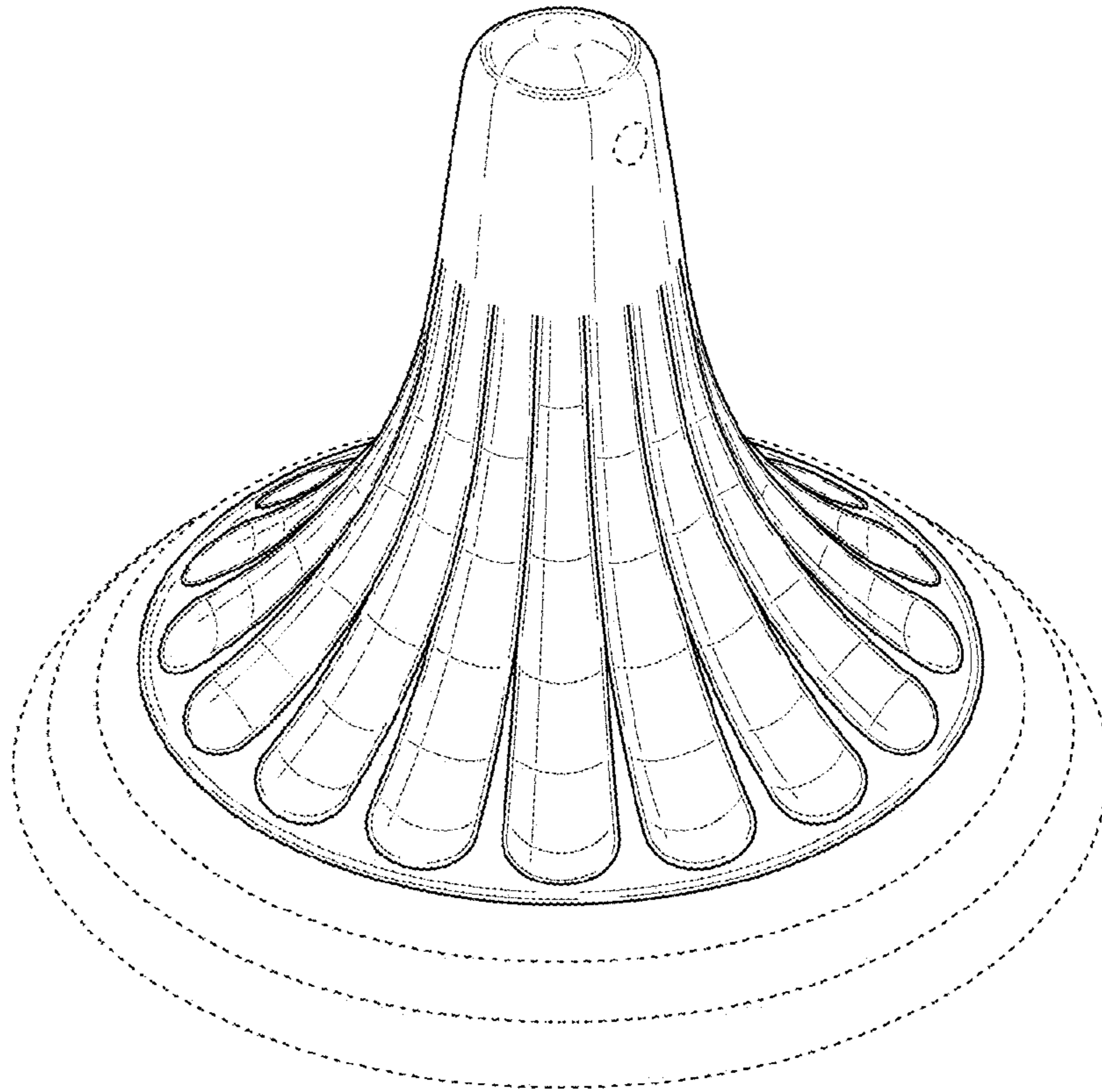


Fig. 1

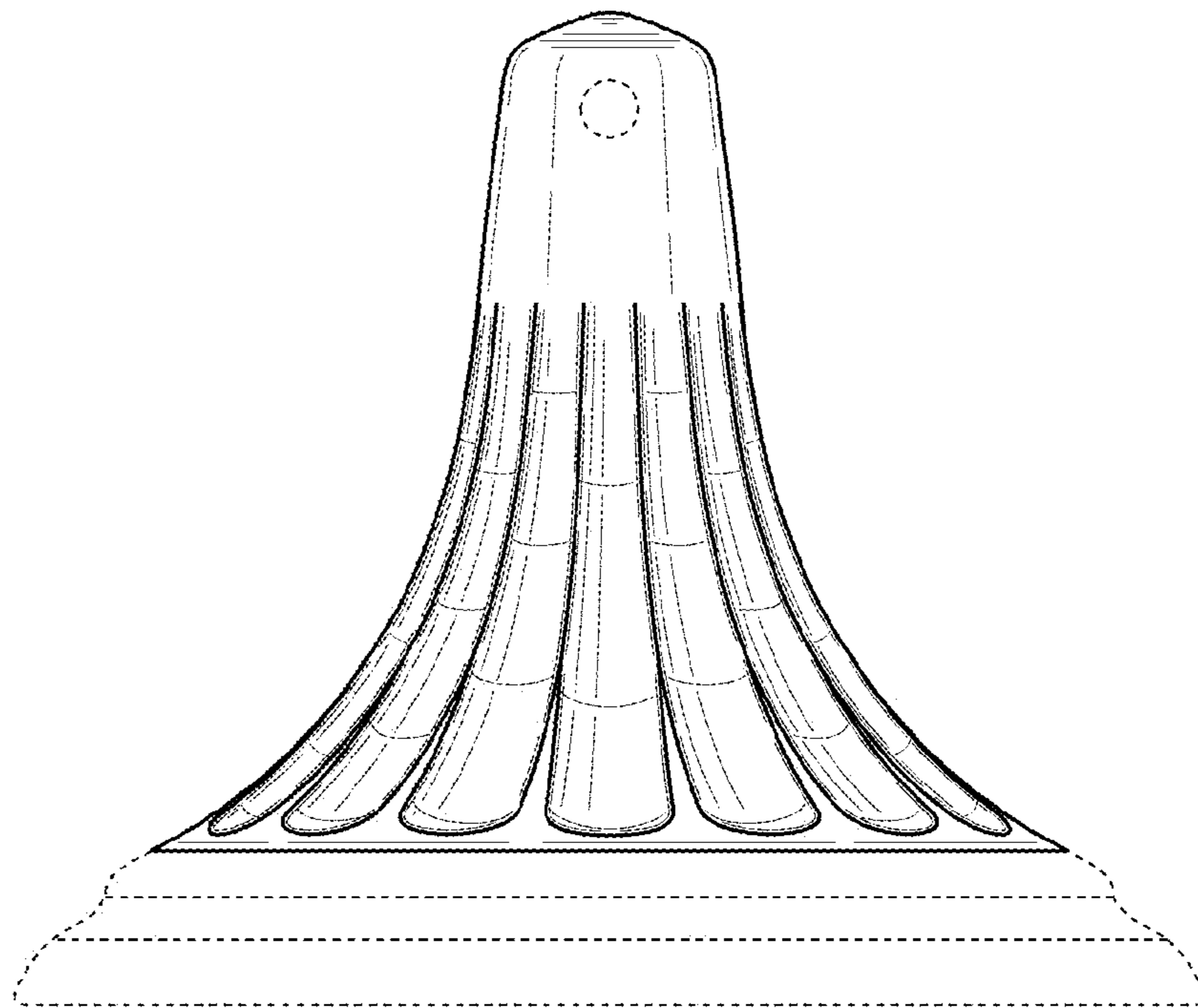


Fig. 2

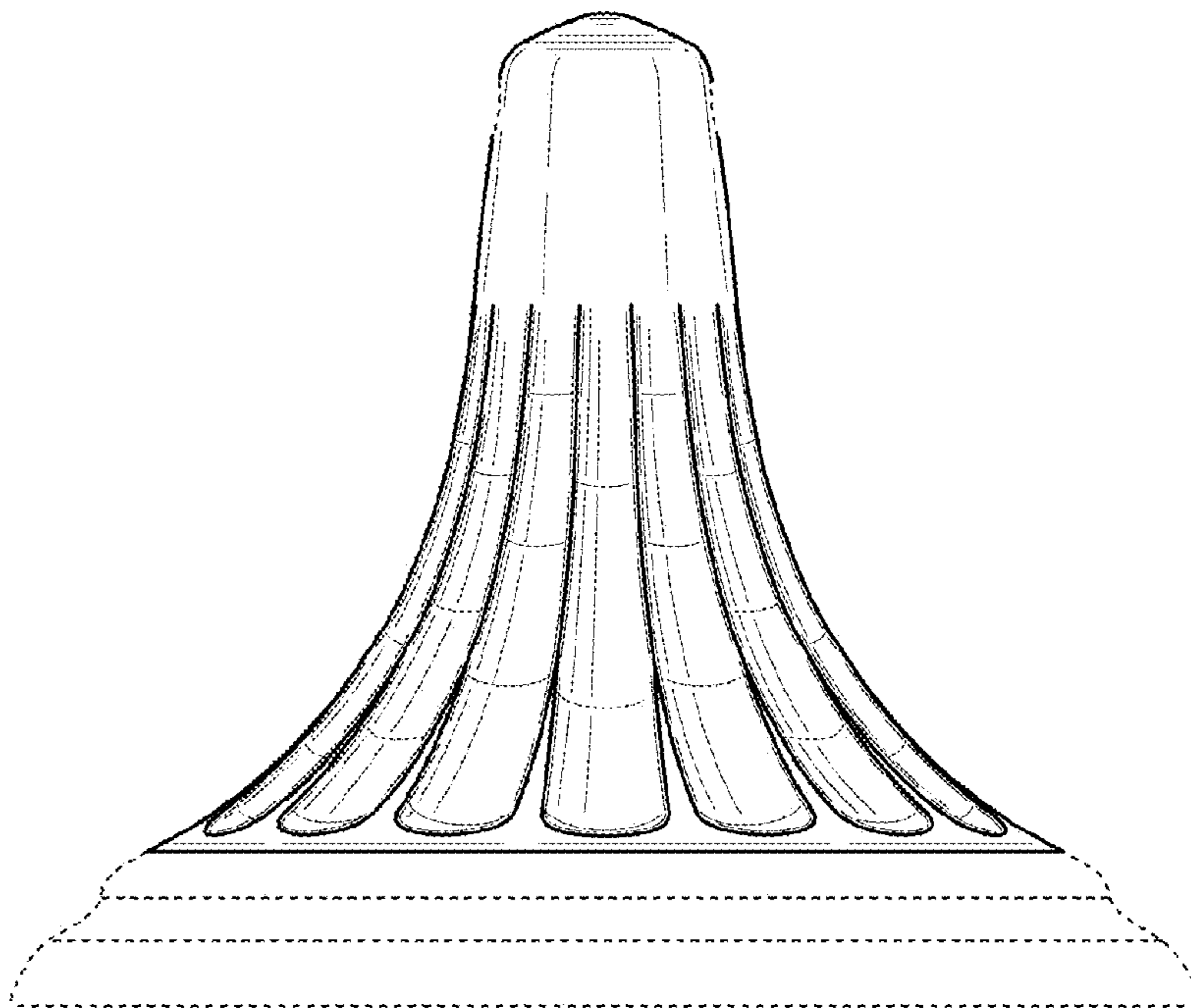


Fig. 3

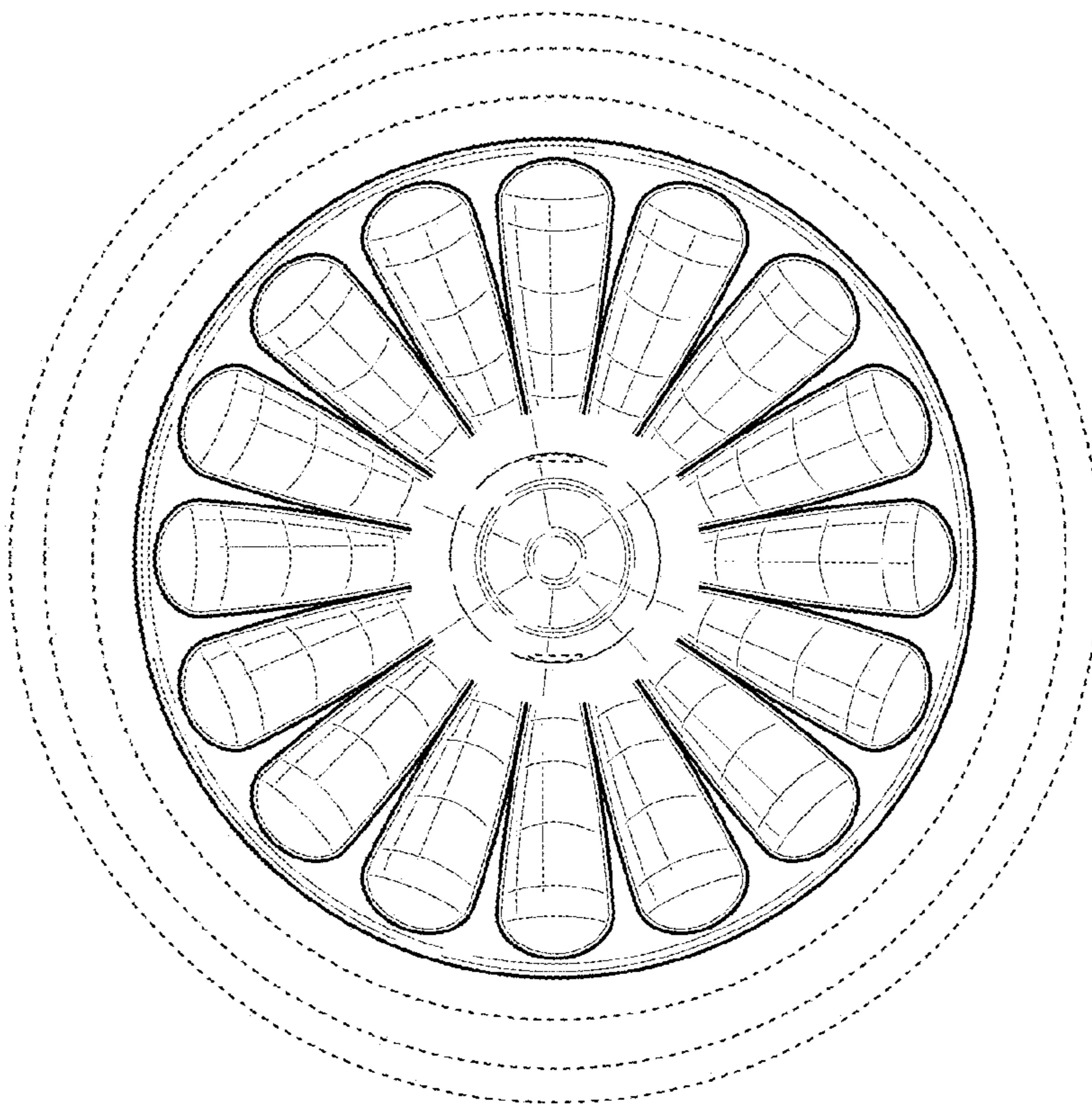


Fig. 4