

US00D683194S

(12) **United States Design Patent**  
**Logan et al.**

(10) **Patent No.:** **US D683,194 S**

(45) **Date of Patent:** **\*\* \*May 28, 2013**

(54) **CITRUS JUICE SQUEEZING DEVICE**

(76) Inventors: **Samuel C. Logan**, Sarasota, FL (US);  
**Sheldon Bloom**, Sarasota, FL (US)

(\*) Notice: This patent is subject to a terminal disclaimer.

(\*\*) Term: **14 Years**

(21) Appl. No.: **29/393,251**

(22) Filed: **Jun. 1, 2011**

(51) **LOC (9) Cl.** ..... **07-04**

(52) **U.S. Cl.**  
USPC ..... **D7/666**

(58) **Field of Classification Search**  
USPC ..... D7/368, 388, 665-666, 669, 680,  
D7/683, 686, 693; D8/394-395; D9/434-435,  
D9/443; D29/118-119; 99/495, 509-510;  
100/111, 116, 124, 234; 241/84.3  
See application file for complete search history.

(56) **References Cited**

**U.S. PATENT DOCUMENTS**

1,866,487	A *	7/1932	Ritter, Jr.	100/213
1,875,678	A *	9/1932	Thate	100/213
D124,195	S *	12/1940	Katzky	D7/666
2,348,304	A *	5/1944	Nudelman et al.	100/213
2,735,360	A *	2/1956	Battke	100/234

D201,268	S *	6/1965	Bode	D7/666
3,630,141	A *	12/1971	Elshazly	100/234
3,636,870	A *	1/1972	Arthur	100/211
3,669,013	A *	6/1972	Stein	100/211
D299,008	S *	12/1988	N/a/ slund	D9/443
4,887,335	A *	12/1989	Folkmar	24/30.5 R
D310,020	S *	8/1990	Fujioka	D8/396
D317,571	S *	6/1991	Henriksson	D9/443
D395,201	S *	6/1998	Cherney et al.	D7/601

\* cited by examiner

*Primary Examiner* — Wan Laymon

(74) *Attorney, Agent, or Firm* — Mark R. Malek; Zies  
Widerman & Malek

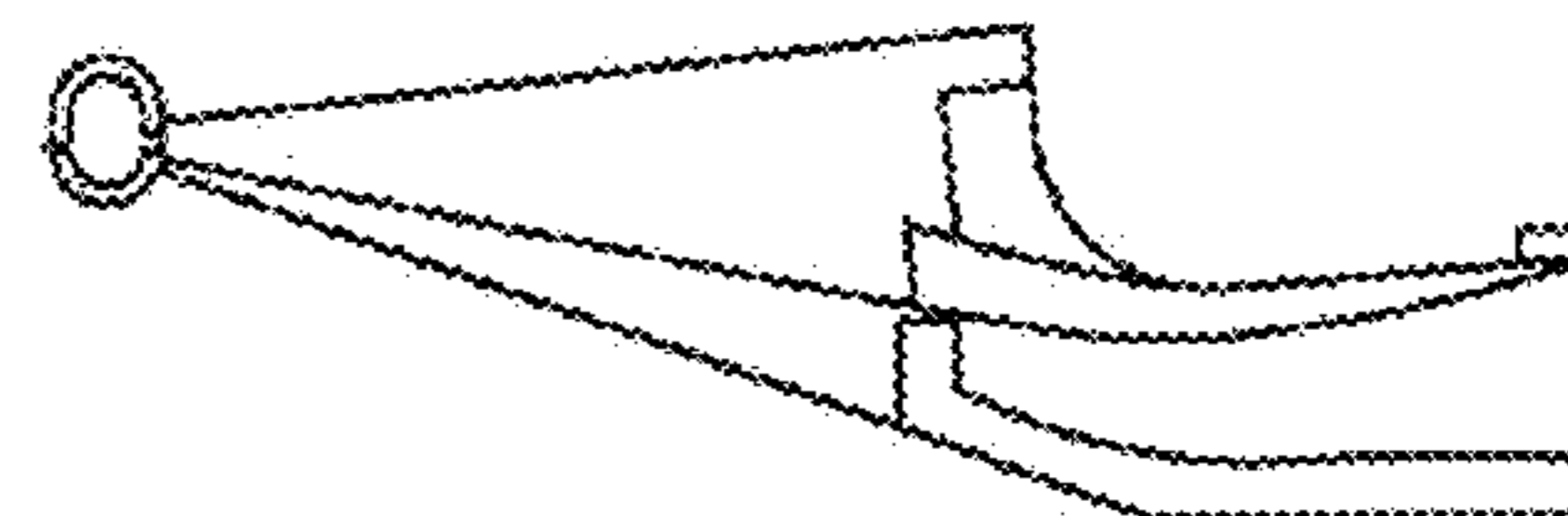
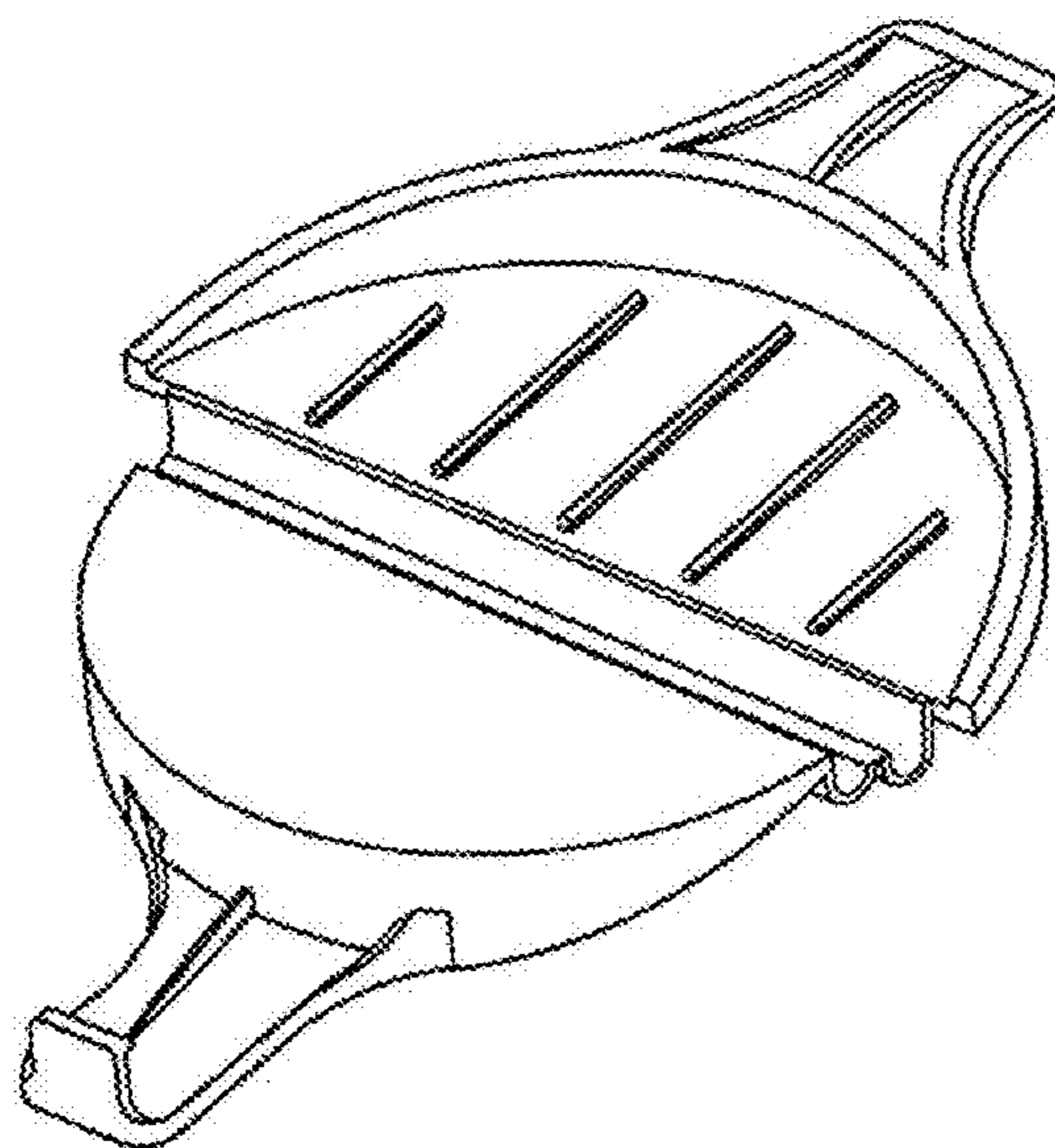
(57) **CLAIM**

The ornamental design for a citrus juice squeezing device, as shown and described.

**DESCRIPTION**

FIG. 1 is a top, front perspective view of a citrus juice squeezing device according to the present invention;  
FIG. 2 is a top plan view thereof;  
FIG. 3 is a bottom plan view thereof;  
FIG. 4 is a right side elevation view thereof;  
FIG. 5 is a left side elevation view thereof;  
FIG. 6 is a left side elevation view thereof shown in a closed position;  
FIG. 7 is a front elevation view of the device of FIGS. 1-5 in the open position; and,  
FIG. 8 is a rear elevation view thereof.

**1 Claim, 2 Drawing Sheets**



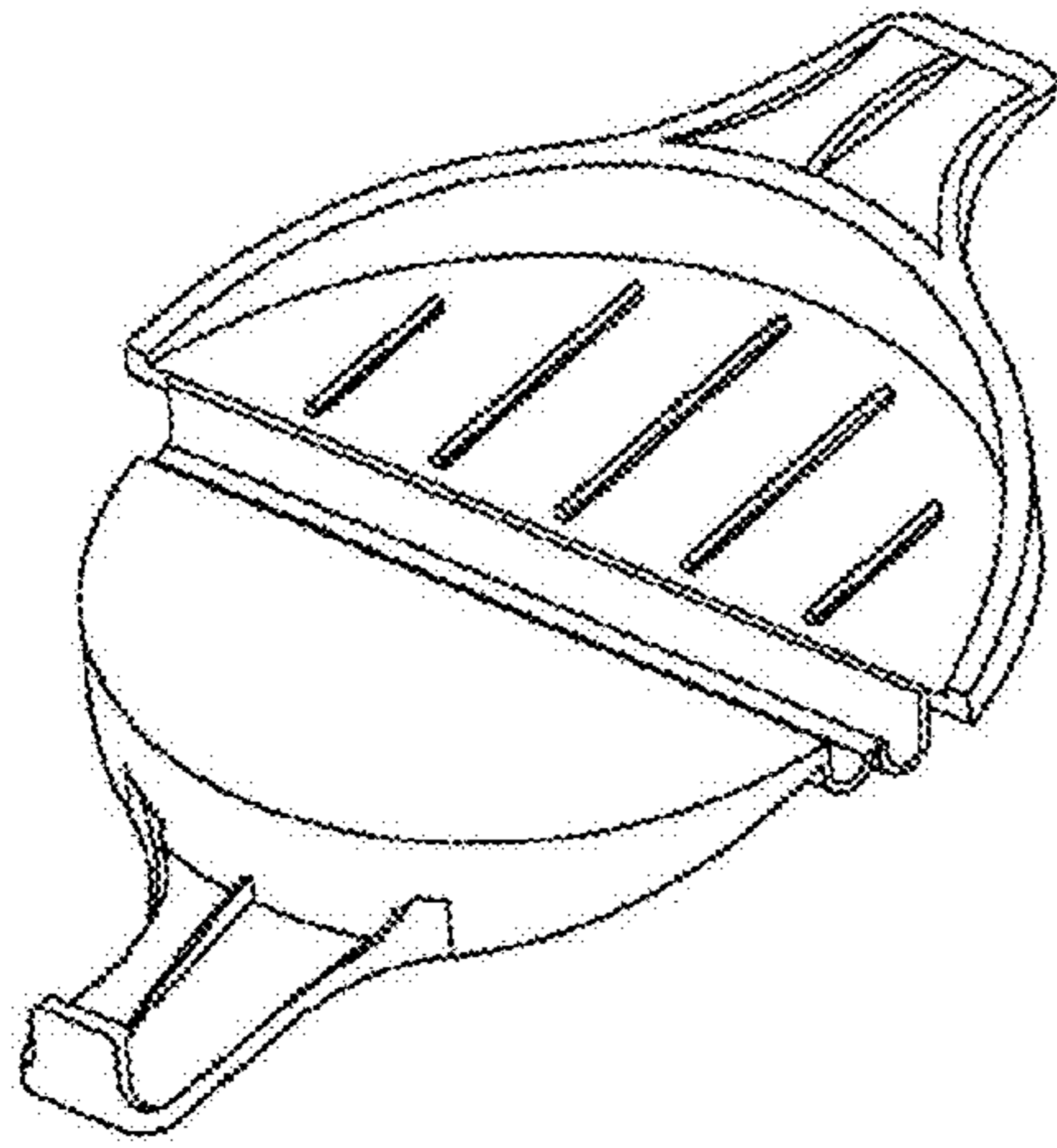


Fig. 1

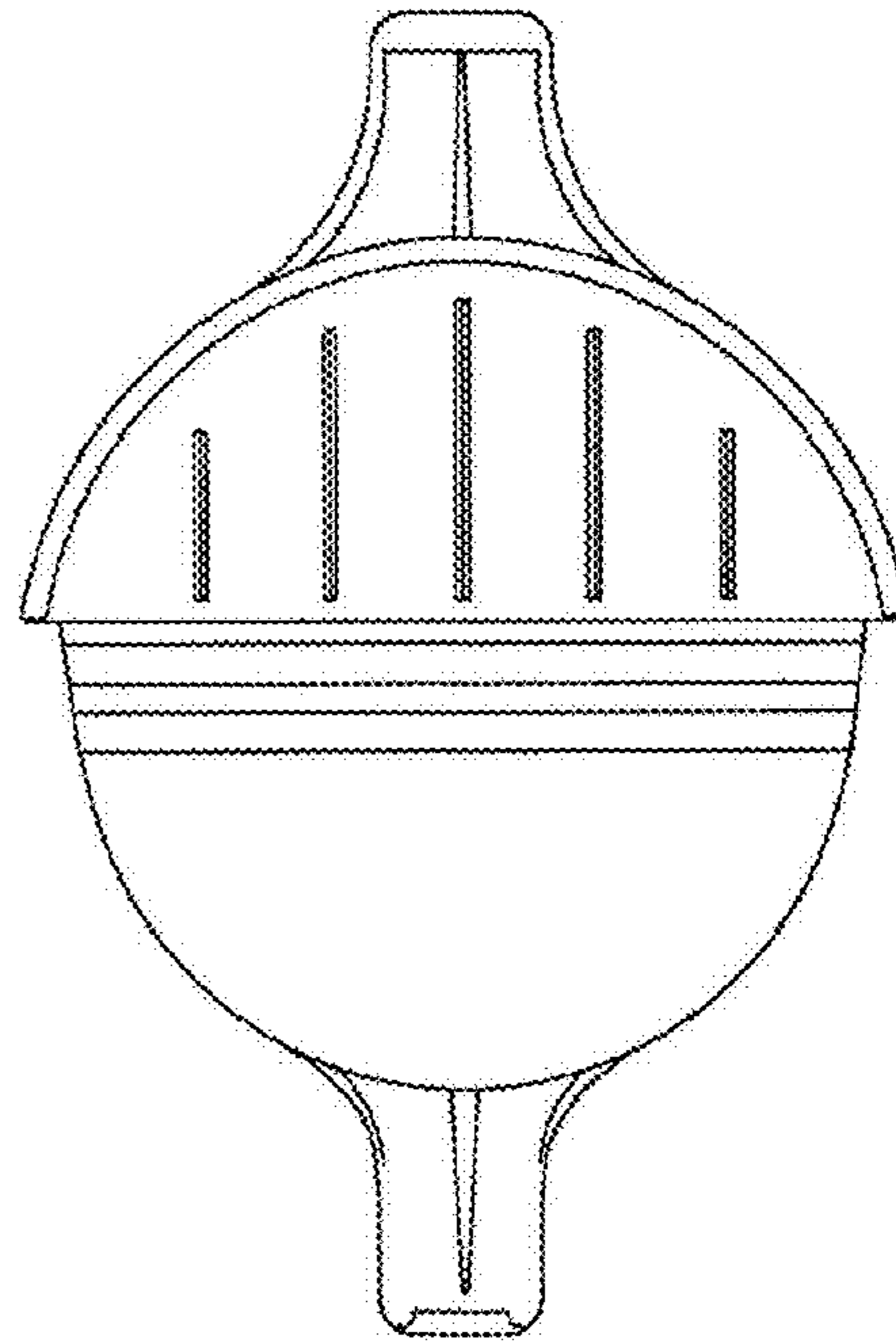


Fig. 2

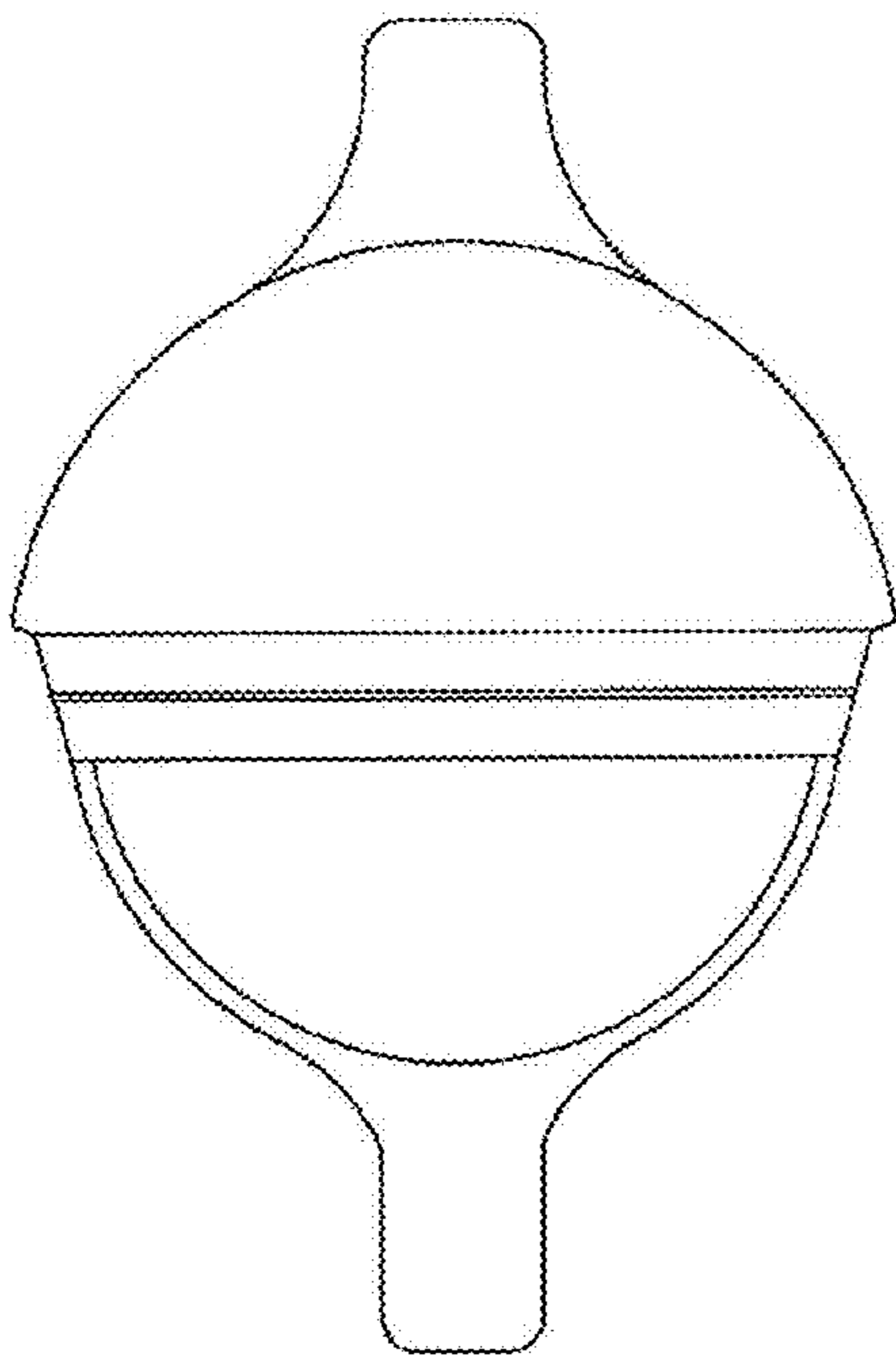


Fig. 3

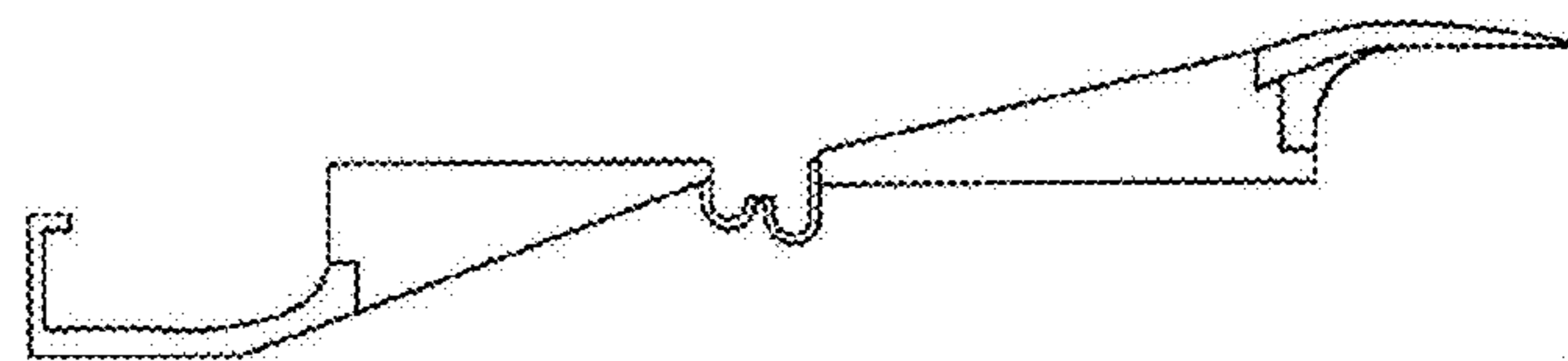


Fig. 4

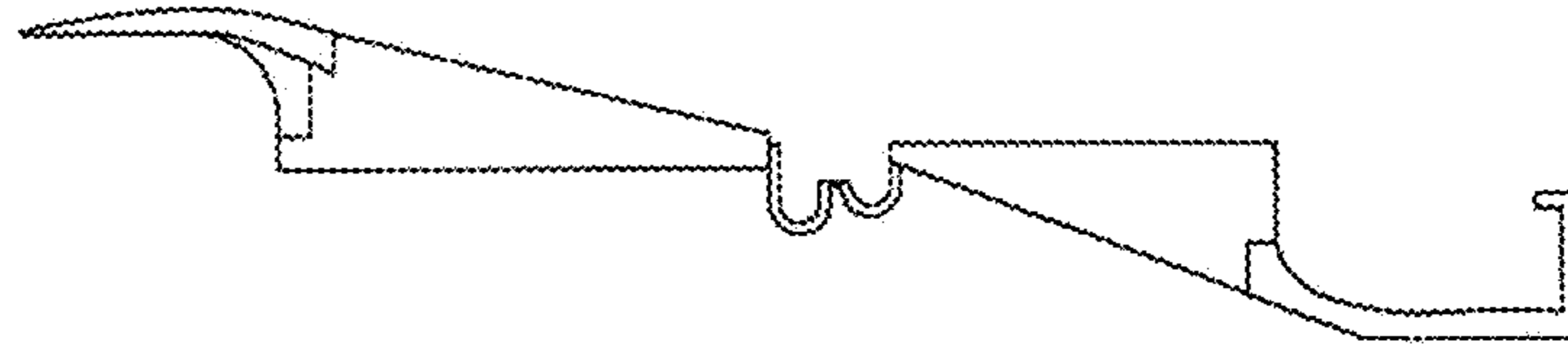


Fig. 5

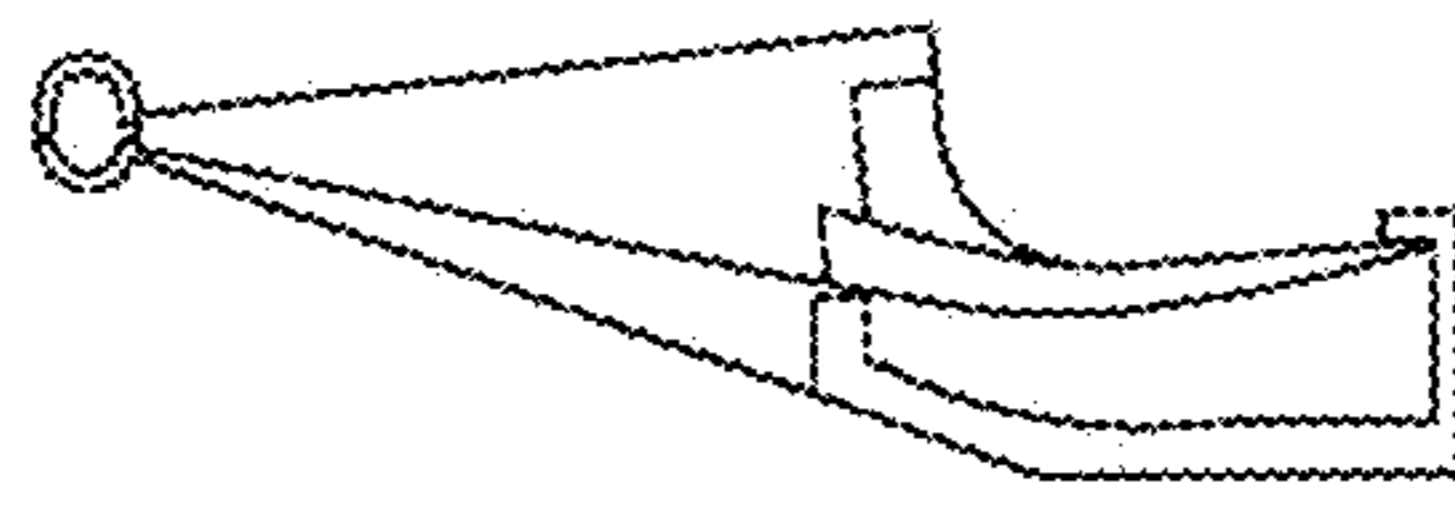


Fig. 6

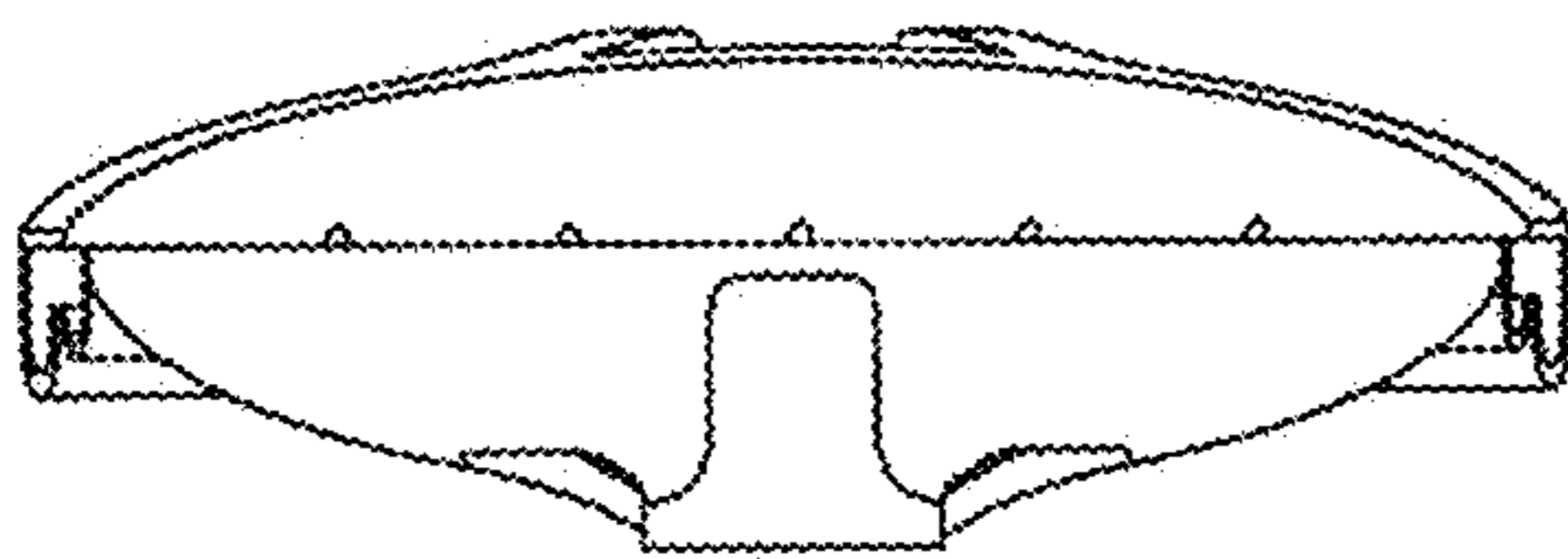


Fig. 7

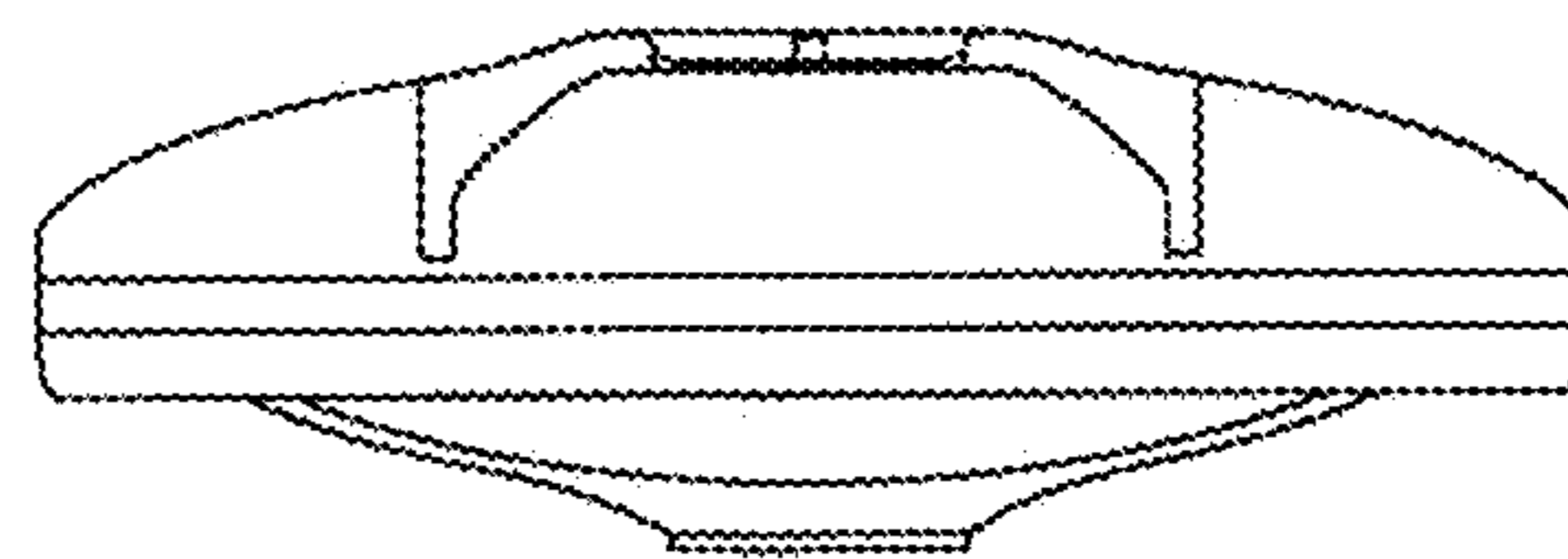


Fig. 8