



US00D683188S

(12) **United States Design Patent**
Gold et al.

(10) **Patent No.:** **US D683,188 S**

(45) **Date of Patent:** **** May 28, 2013**

(54) **DRINKING BOTTLE**

(76) Inventors: **Jonathan Morris Gold**, London (GB);
Daniel Jason Tyler, London (GB)

(**) **Term:** **14 Years**

(21) **Appl. No.:** **29/425,509**

(22) **Filed:** **Jun. 23, 2012**

(51) **LOC (9) Cl.** **07-01**

(52) **U.S. Cl.**
USPC **D7/510; D7/511; D7/532**

(58) **Field of Classification Search**
USPC D7/515, 514, 532, 533, 510, 511,
D7/619.1, 512, 509, 523; D9/429, 502, 538,
D9/524; 215/13.1, 12.1; 229/400; 206/519;
220/703, 710.5; D24/197
See application file for complete search history.

D546,184 S *	7/2007	Yelland	D9/502
D572,135 S *	7/2008	Lepoitevin	D9/502
D574,237 S *	8/2008	Yates, III	D9/447
D584,624 S *	1/2009	Bourne	D9/502
D588,409 S *	3/2009	Kleckauskas et al.	D7/507
D599,481 S *	9/2009	Drummond	D24/197
D603,711 S *	11/2009	Lepoitevin	D9/552
D627,594 S *	11/2010	Boonprasop	D7/392.1
D630,059 S *	1/2011	Gilbert et al.	D7/510
D639,114 S *	6/2011	Swinford et al.	D7/532
D656,788 S *	4/2012	Sakulsacha	D7/510
D660,083 S *	5/2012	Tyler et al.	D7/510
D666,874 S *	9/2012	Sakulsacha	D7/510
8,319,154 B2 *	11/2012	Shaikh et al.	219/387
D673,814 S *	1/2013	Honein et al.	D7/590

* cited by examiner

Primary Examiner — Marianne Pandozzi

(57) **CLAIM**

The ornamental design for a drinking bottle, as shown and described.

DESCRIPTION

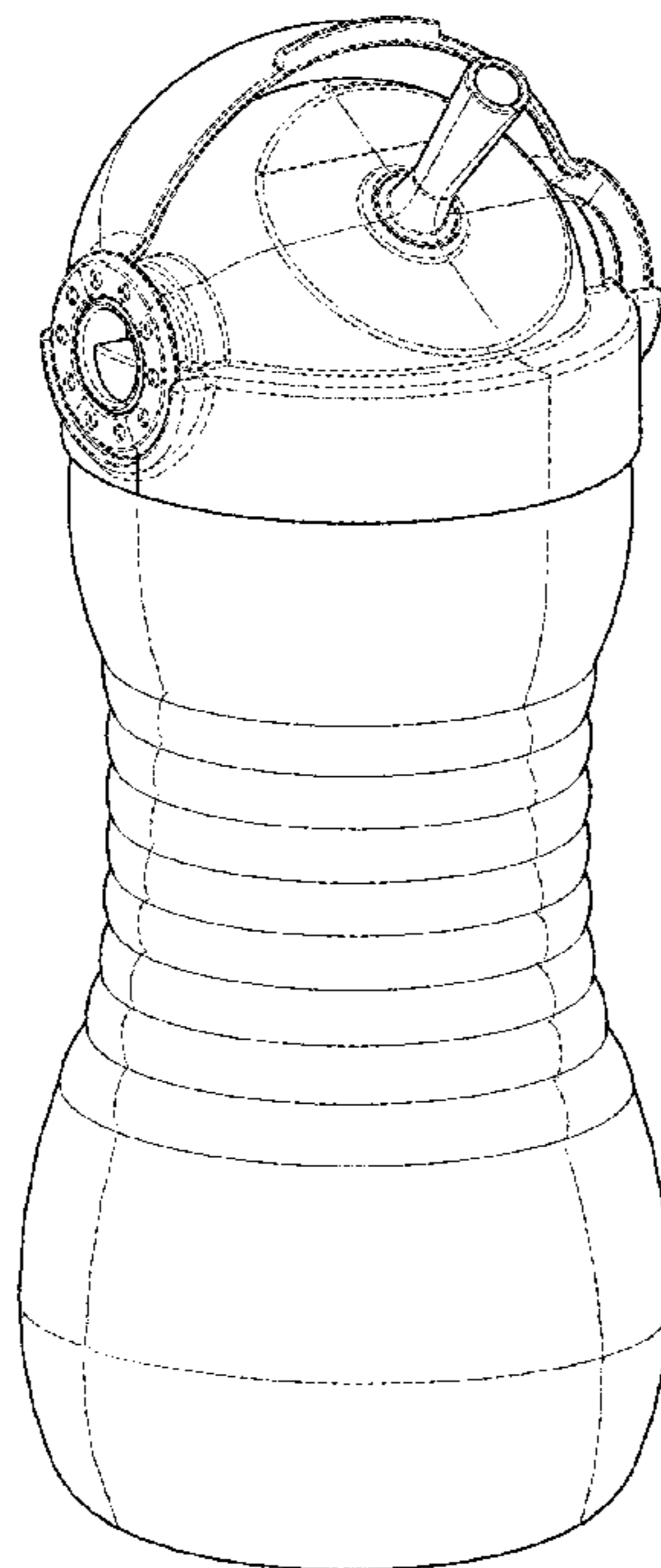
FIG. 1 is a front perspective view of a drinking bottle showing our new design;
FIG. 2 is a rear perspective view thereof;
FIG. 3 is a front elevational view thereof;
FIG. 4 is a rear elevational view thereof
FIG. 5 is a top plan view thereof;
FIG. 6 is a bottom plan view thereof;
FIG. 7 is a first side elevational view thereof; and,
FIG. 8 is a second side elevational view thereof rotated by 180° relative to the first side elevational view of FIG. 7.
The broken lines in the drawings are included for the purpose of illustration and form no part of the claimed design.

1 Claim, 8 Drawing Sheets

(56) **References Cited**

U.S. PATENT DOCUMENTS

D120,226 S *	4/1940	Lundy	D7/532
D279,406 S *	6/1985	Shiu	D24/211
D313,075 S *	12/1990	Mariol	D24/197
D315,409 S *	3/1991	Baarber	D24/197
5,024,341 A *	6/1991	Dekerle	215/11.1
5,518,142 A *	5/1996	Lin	220/707
5,518,143 A *	5/1996	Iodice	220/708
D407,493 S *	3/1999	Bonds	D24/197
6,050,433 A *	4/2000	Russell et al.	215/229
D431,158 S *	9/2000	Schwab	D7/510
6,565,743 B1 *	5/2003	Poirier et al.	210/85
D475,890 S *	6/2003	Mazonkey	D7/507
7,124,907 B2 *	10/2006	Conaway	220/254.1
D542,139 S *	5/2007	Welter	D9/524
D543,847 S *	6/2007	Yelland	D9/502



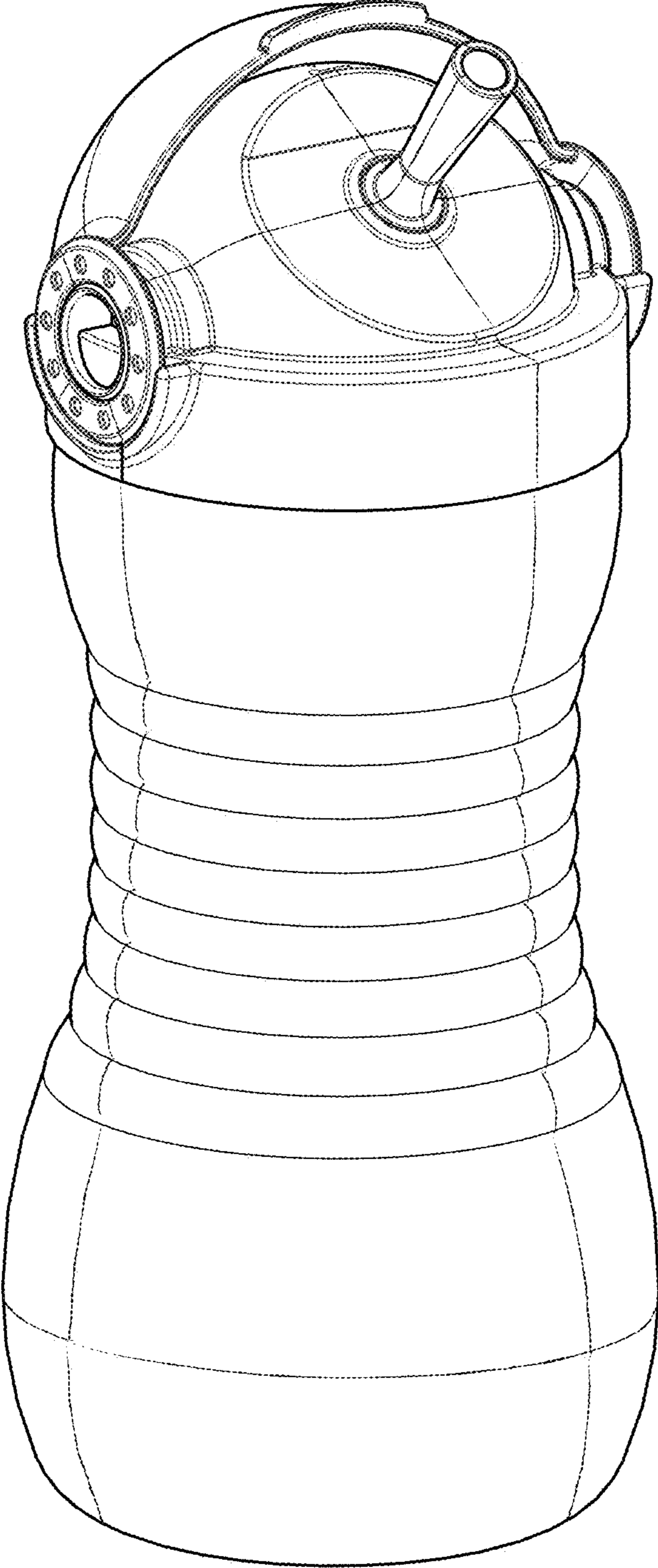


Fig. 1

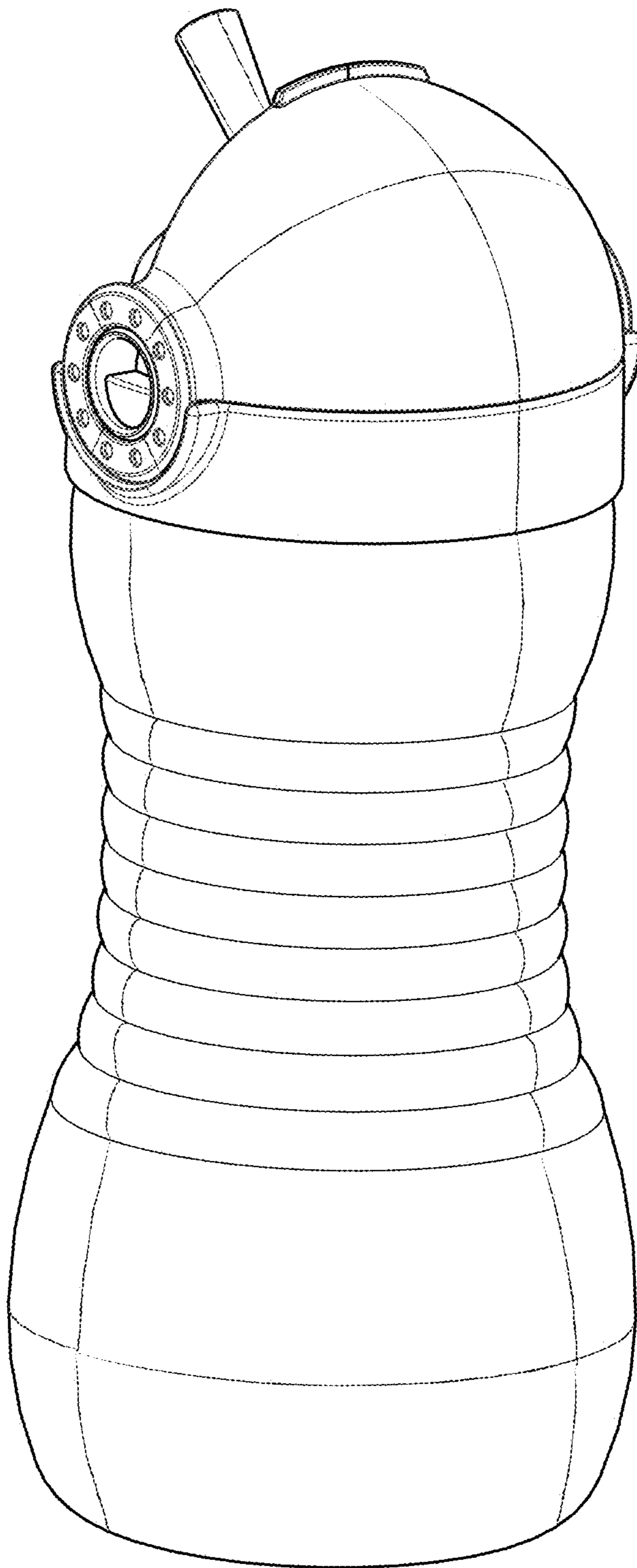


Fig. 2

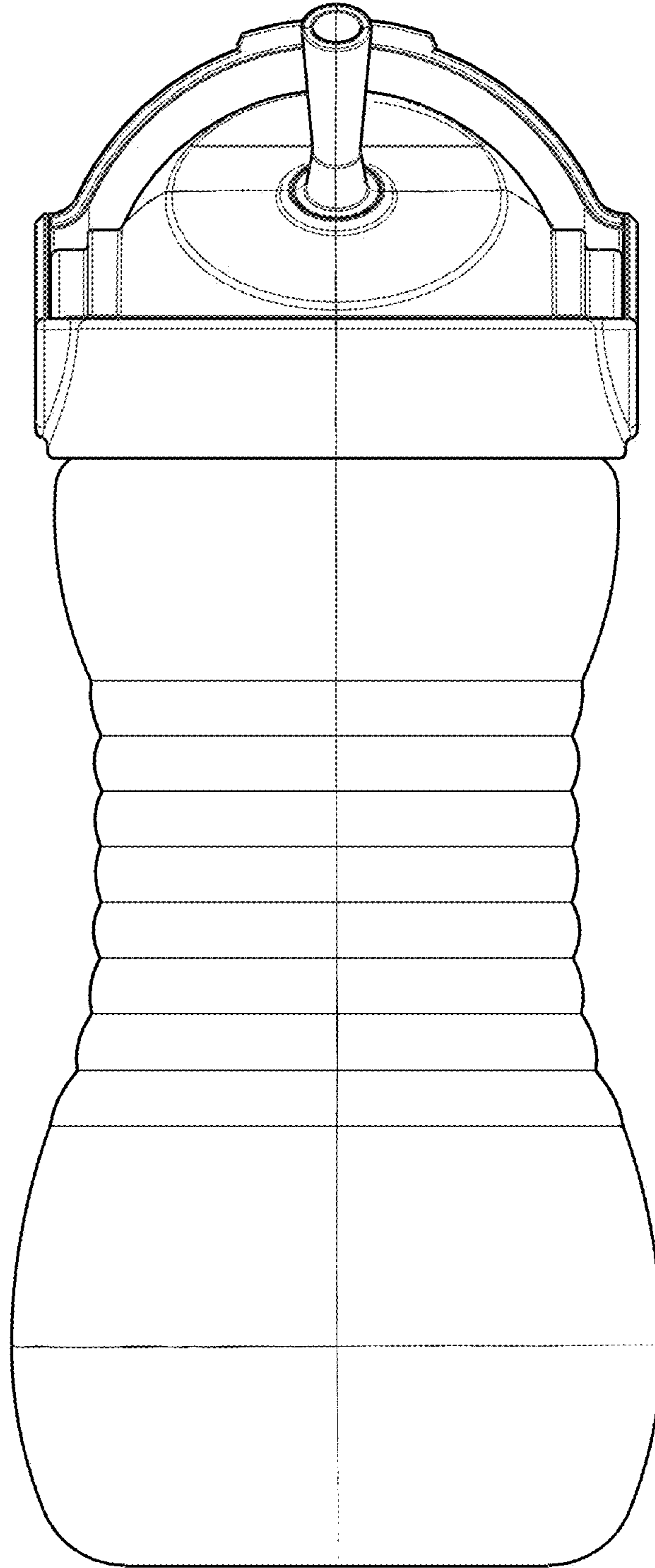


Fig. 3

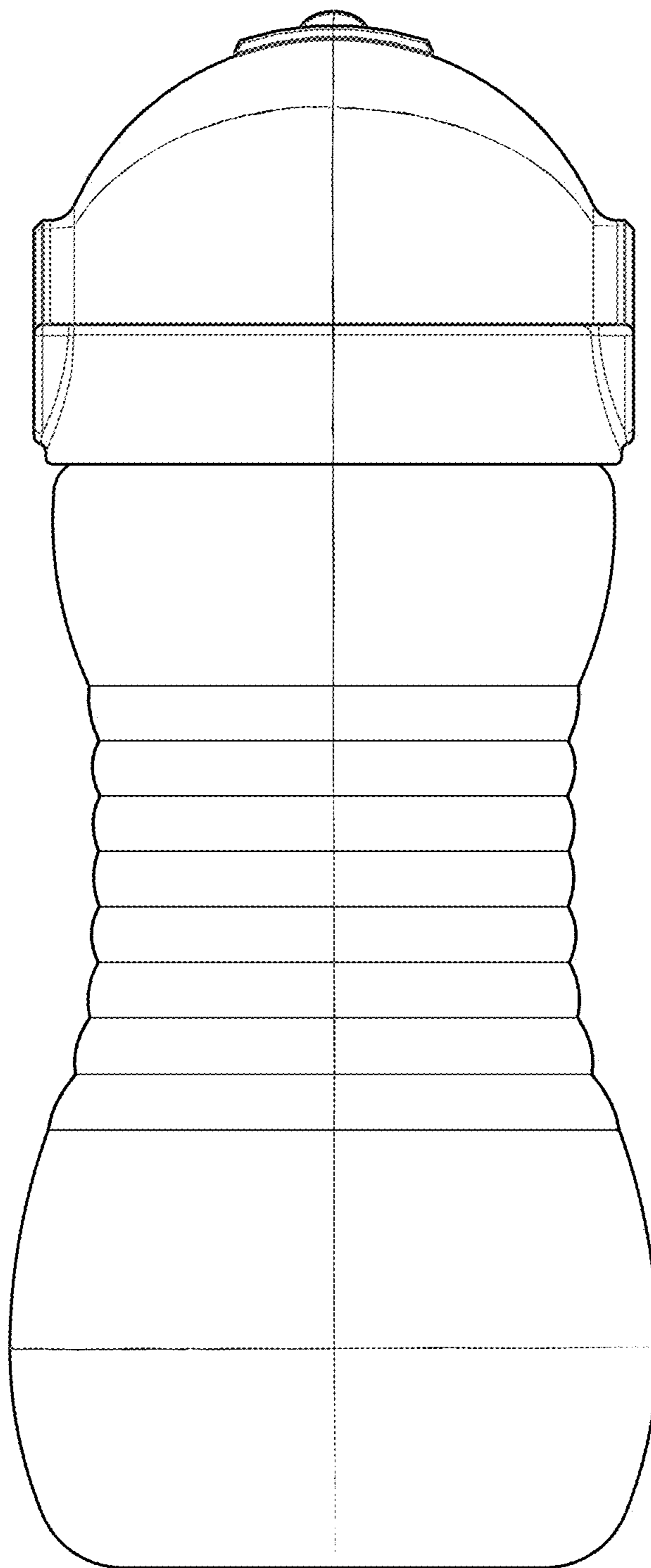


Fig. 4

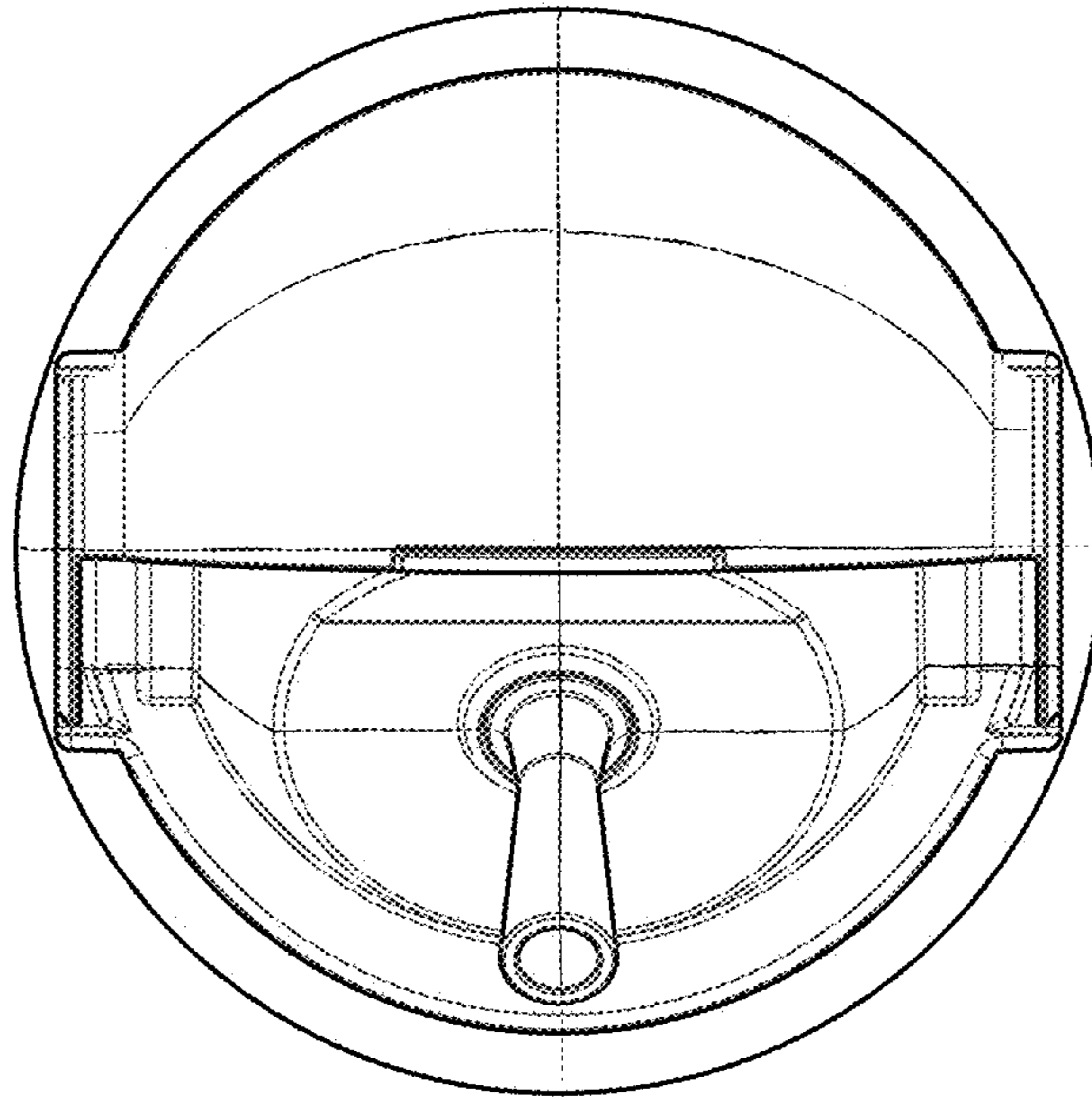


Fig. 5

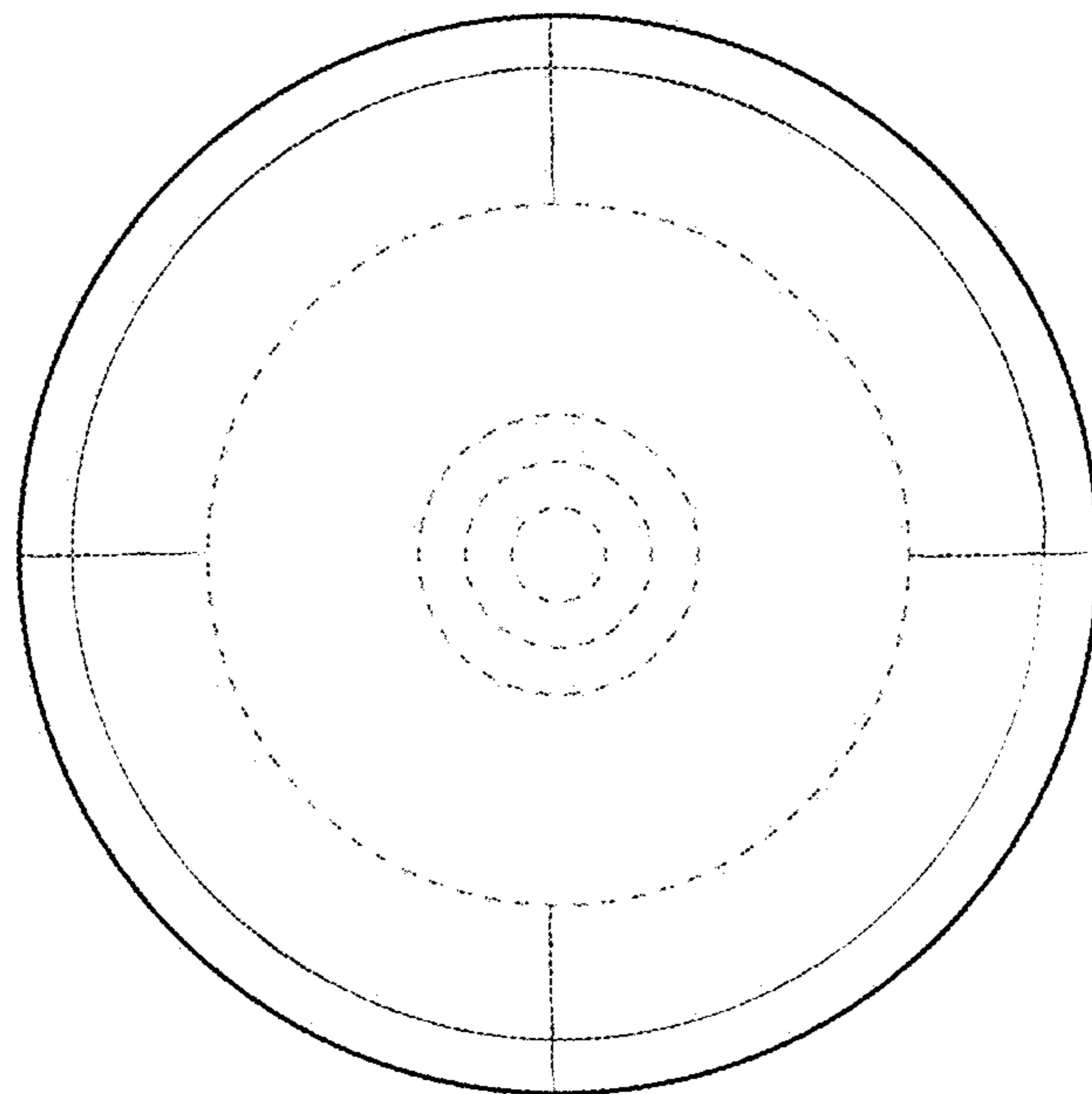


Fig. 6

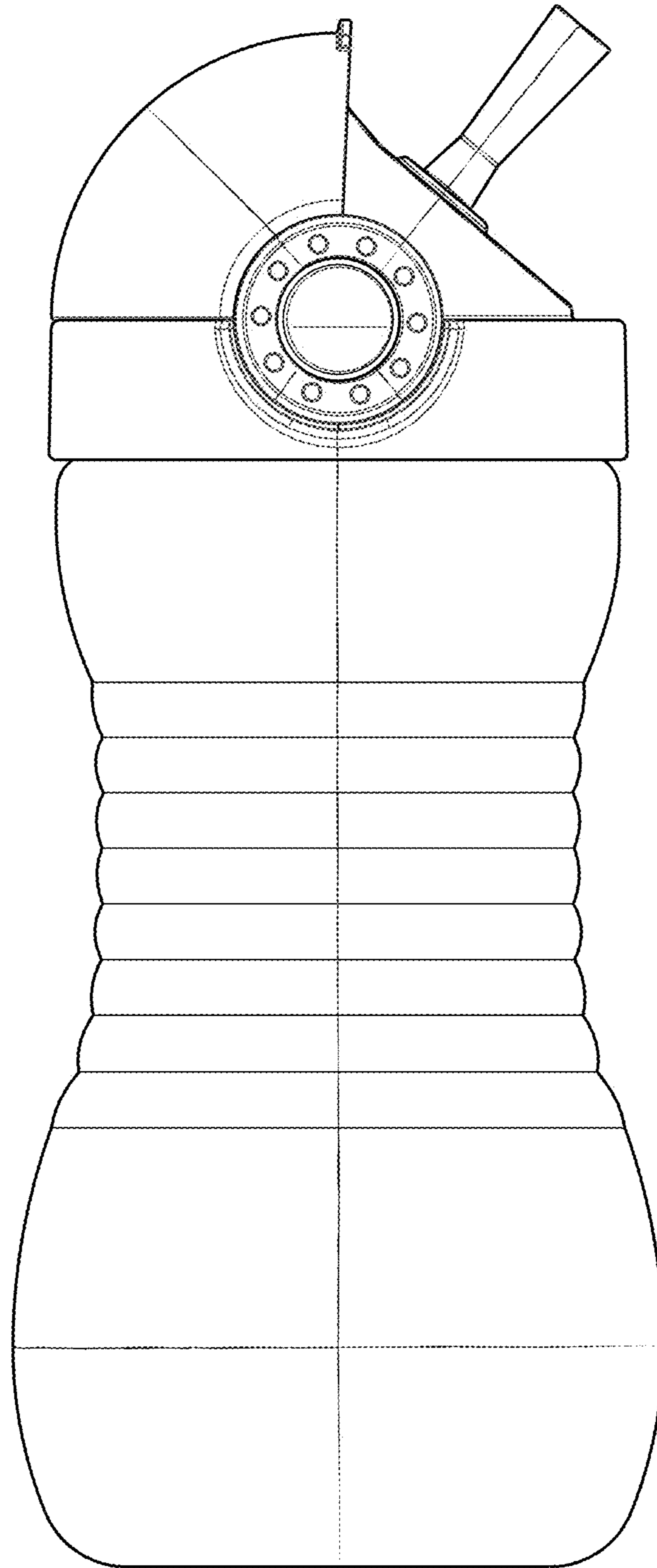


Fig. 7

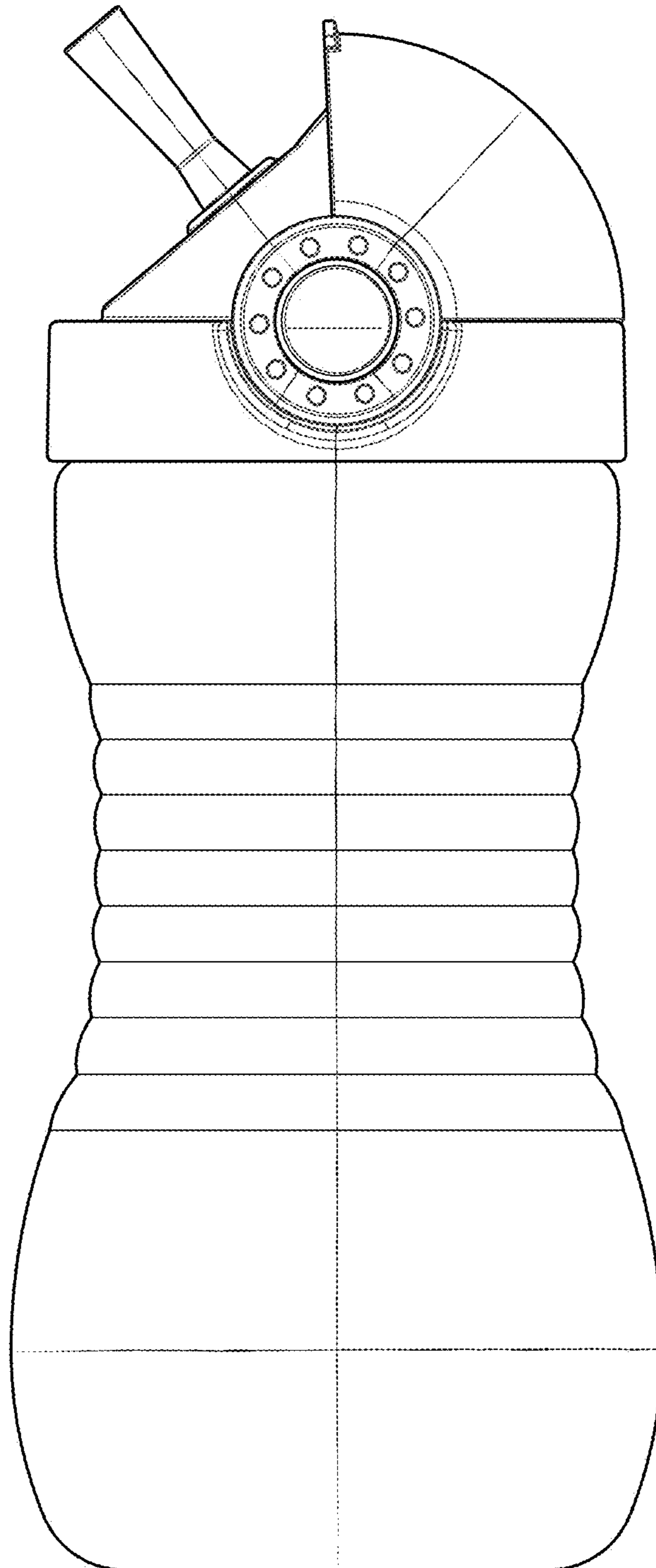


Fig. 8