



US00D683186S

(12) **United States Design Patent**
Tobias

(10) **Patent No.:** **US D683,186 S**

(45) **Date of Patent:** **** May 28, 2013**

(54) **CUP WITH AN INTEGRAL LID, THE LID
RETAINED TO THE BODY OF THE CUP
WITH A LIVING HINGE**

D672,610 S * 12/2012 Park et al. D7/510
2006/0027640 A1 * 2/2006 Smith et al. 229/400
2006/0186129 A1 * 8/2006 Allnutt et al. 220/737
2008/0078824 A1 * 4/2008 Spriegel et al. 229/403

(75) Inventor: **Glenn Tobias, Los Angeles, CA (US)**

* cited by examiner

(73) Assignee: **Earthkare Packaging Innovations
Company, Los Angeles, CA (US)**

Primary Examiner — Marianne Pandozzi

(74) *Attorney, Agent, or Firm* — Thomas I. Rozsa

(**) Term: **14 Years**

(57) **CLAIM**

The ornamental design for a cup with an integral lid, the lid retained to the body of the cup with a living hinge, as shown and described.

(21) Appl. No.: **29/411,561**

(22) Filed: **Jan. 23, 2012**

DESCRIPTION

(51) **LOC (9) Cl.** **07-01**

(52) **U.S. Cl.**

USPC **D7/510**; D7/511; D7/532

(58) **Field of Classification Search**

USPC D7/507, 538, 532, 512, 510, 511,
D7/607, 624.2; 220/739, 738, 737, 8, 714,
220/705, 707, 212.5; 215/DIG. 7, 389; 206/218;
D9/504

See application file for complete search history.

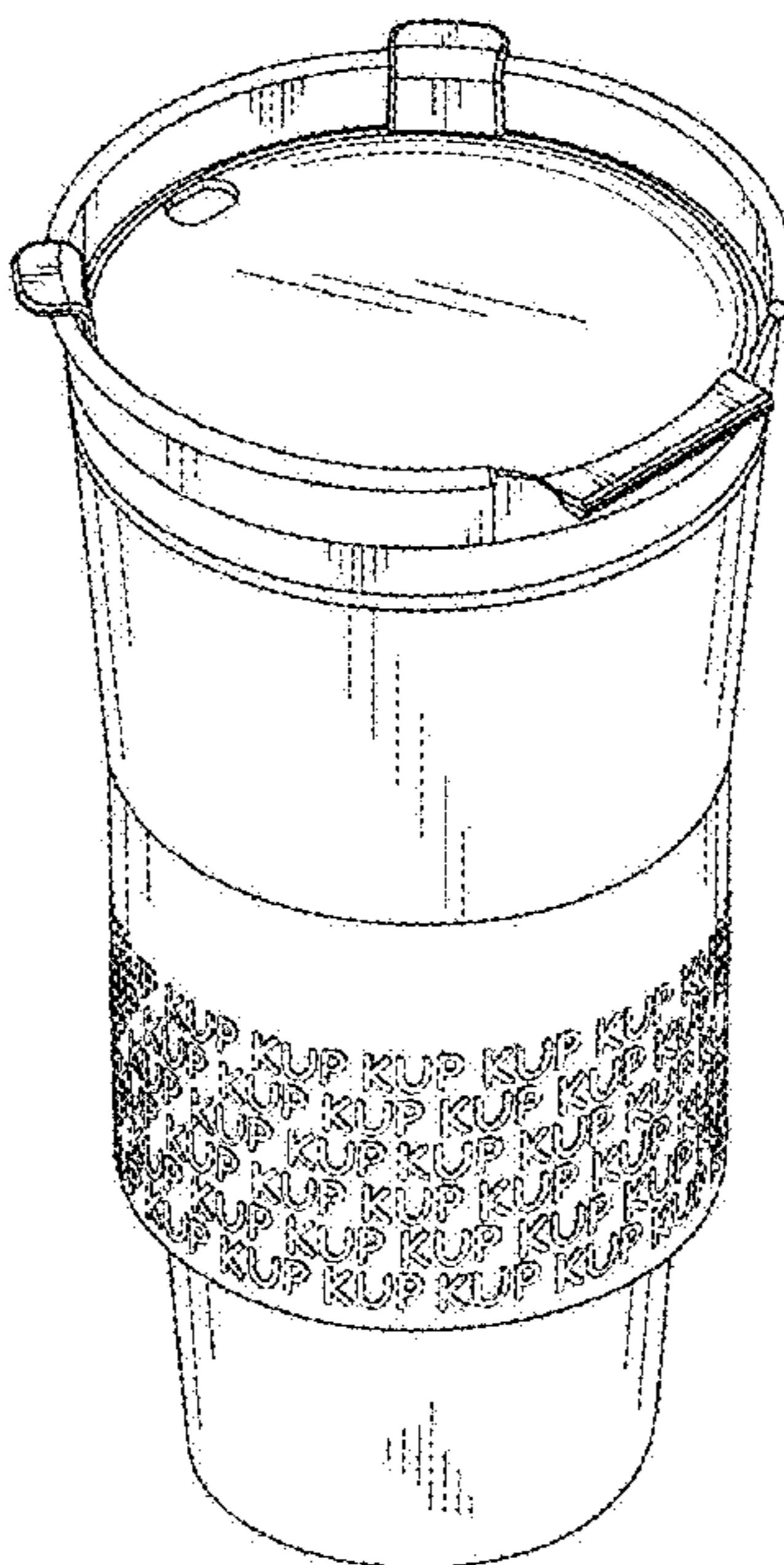
FIG. 1 is a perspective view of a cup with an integral lid, the lid retained to the body of the cup with a living hinge, showing my new design, the cup shown in the closed condition; FIG. 2 is a bottom plan view thereof; FIG. 3 is a top plan view thereof; FIG. 4 is a front elevational view thereof; FIG. 5 is a rear elevational view thereof; FIG. 6 is a side elevational view when viewed from the left side, the right side elevational view being a mirror image thereof; FIG. 7 is a perspective view of the cup with an integral lid, the lid retained to the body of the cup with a living hinge, with the cup shown in the open condition; FIG. 8 is a top plan view thereof; FIG. 9 is a bottom plan view thereof; FIG. 10 is a rear elevational view thereof; FIG. 11 is a front elevational view thereof; and, FIG. 12 is a side elevational view when viewed from the left side, the right side elevational view being a mirror image thereof.

(56) **References Cited**

U.S. PATENT DOCUMENTS

D162,302 S * 3/1951 Horne D7/523
D365,247 S * 12/1995 Sokolski et al. D7/511
5,588,552 A * 12/1996 Johnson 220/712
6,286,709 B1 * 9/2001 Hudson 220/739
D623,474 S * 9/2010 Carlson et al. D7/510
7,922,031 B1 * 4/2011 Prince 220/739
D642,862 S * 8/2011 Tobias D7/510
D642,863 S * 8/2011 Tobias D7/510
D642,864 S * 8/2011 Tobias D7/510
D643,692 S * 8/2011 Selina et al. D7/607
D658,443 S * 5/2012 Chiu et al. D7/507
D662,362 S * 6/2012 Bickert et al. D7/510

1 Claim, 12 Drawing Sheets



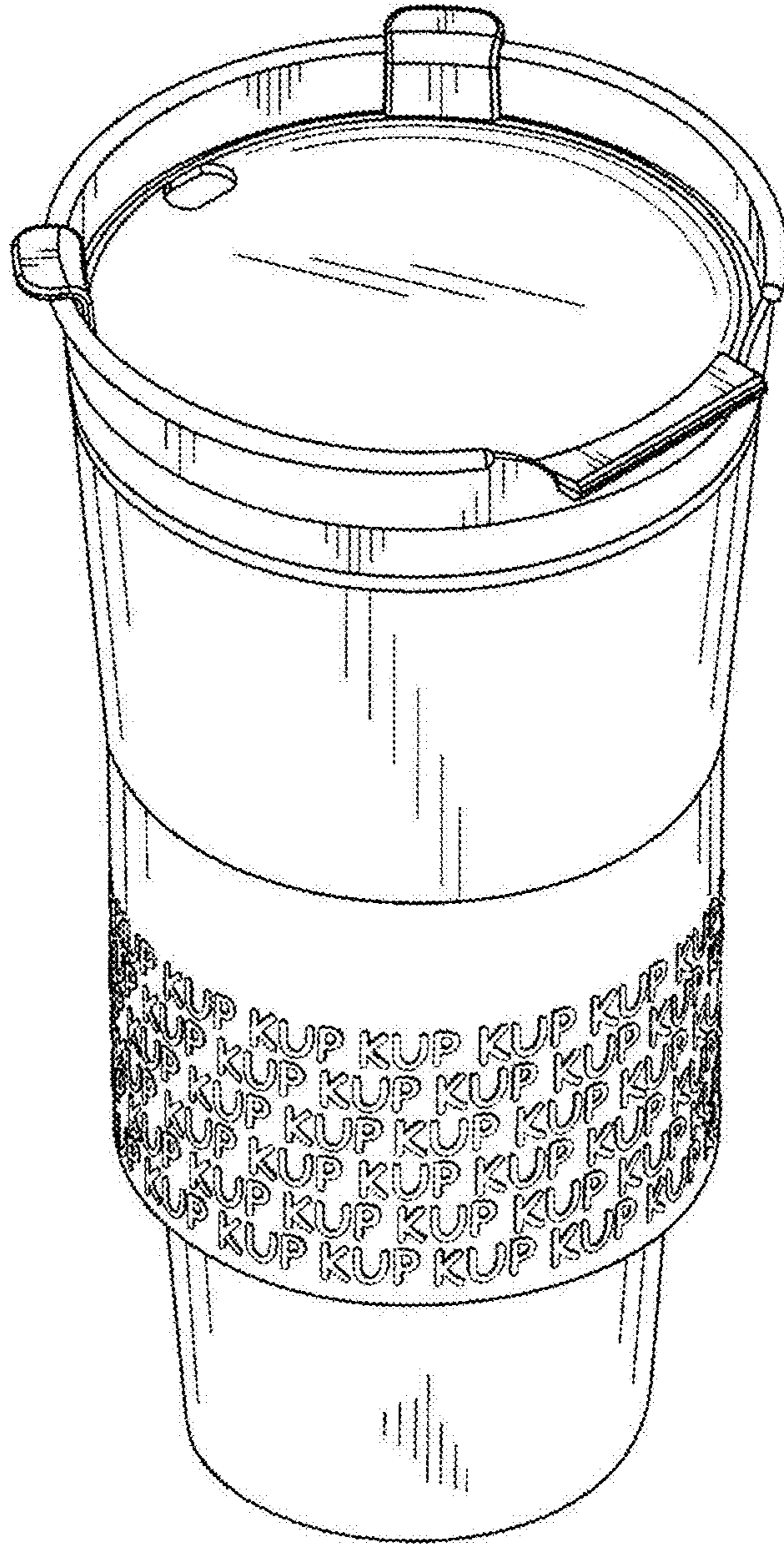


FIG. 1

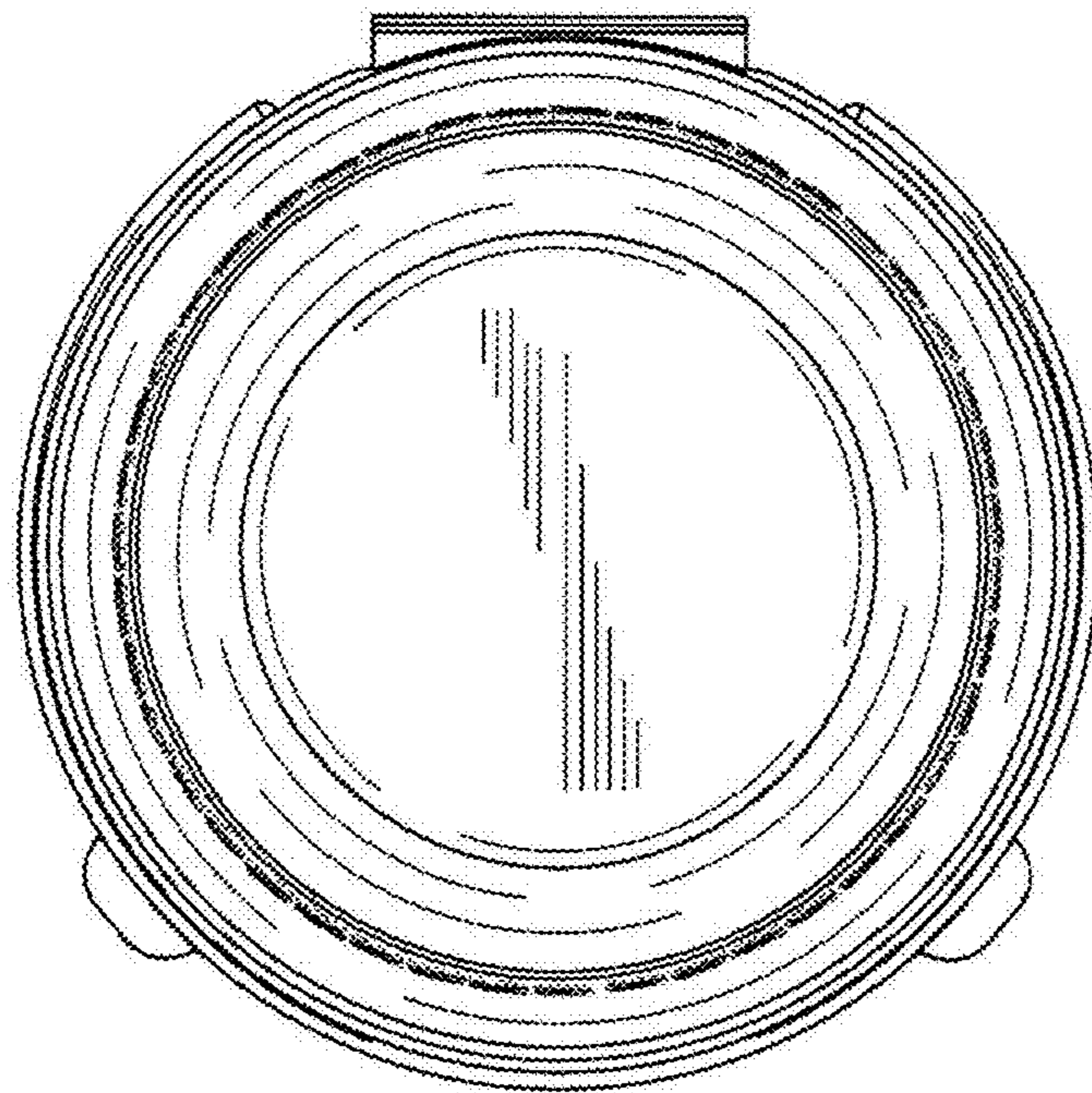


FIG. 2

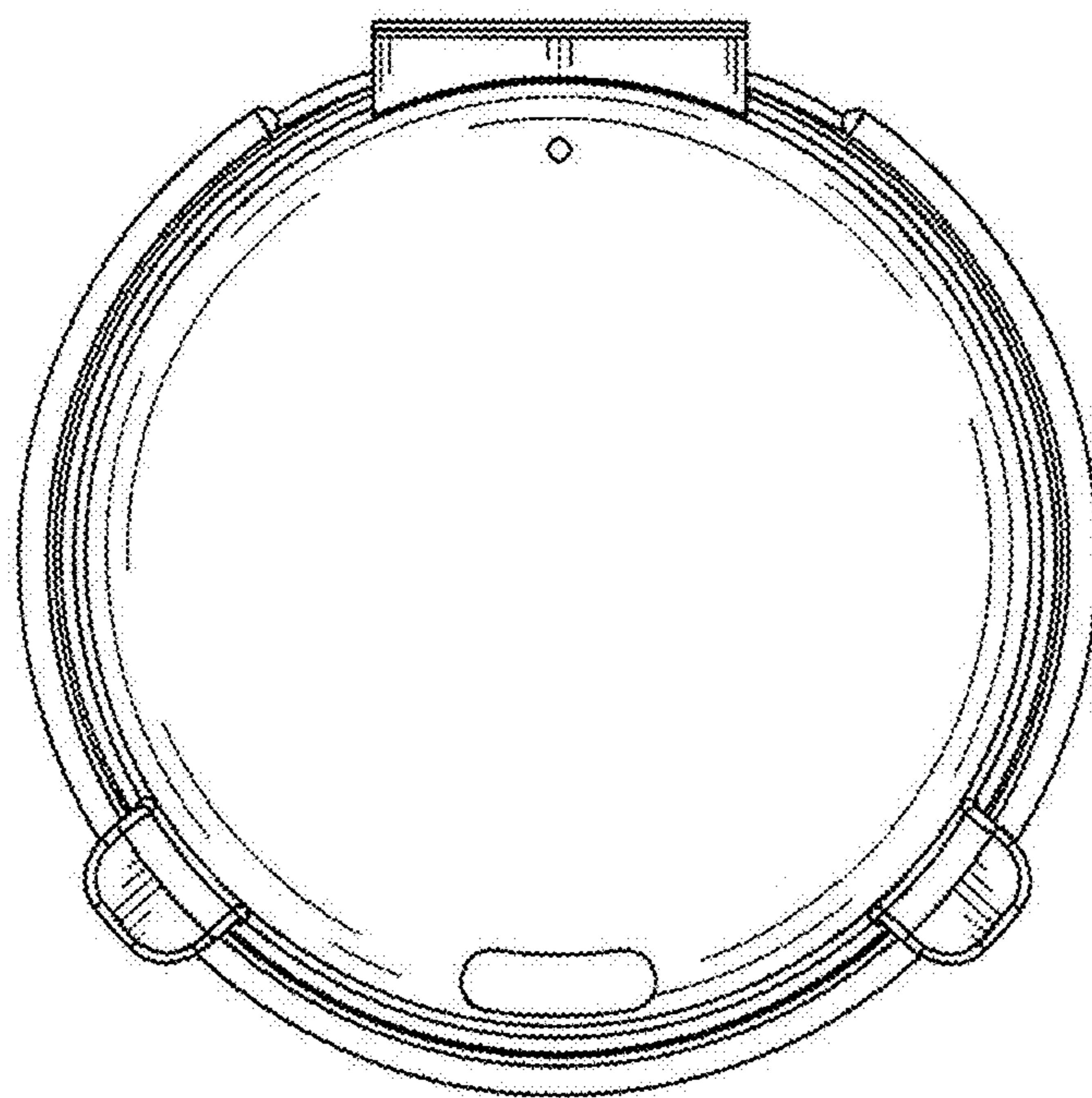


FIG. 3

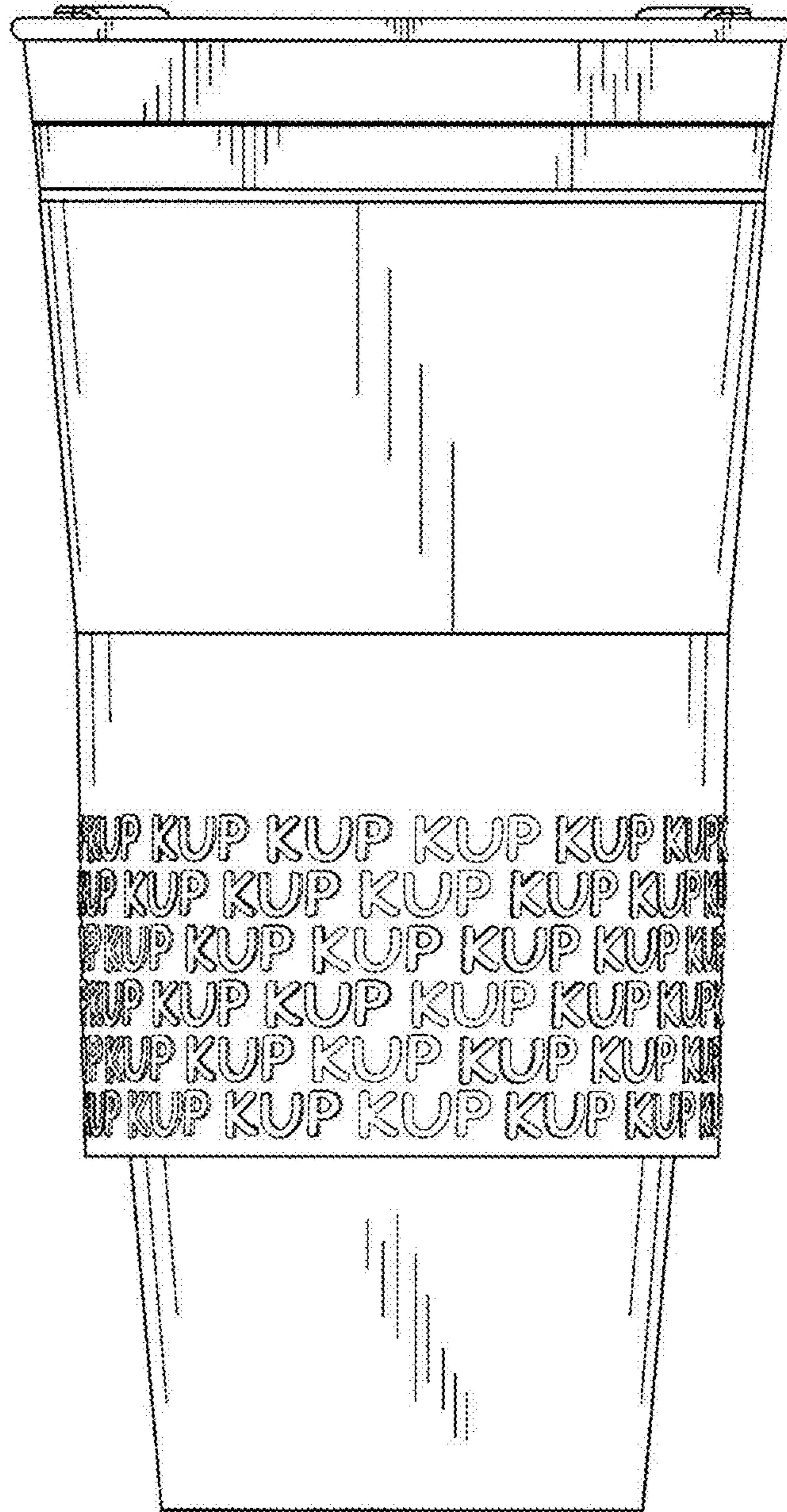


FIG. 4

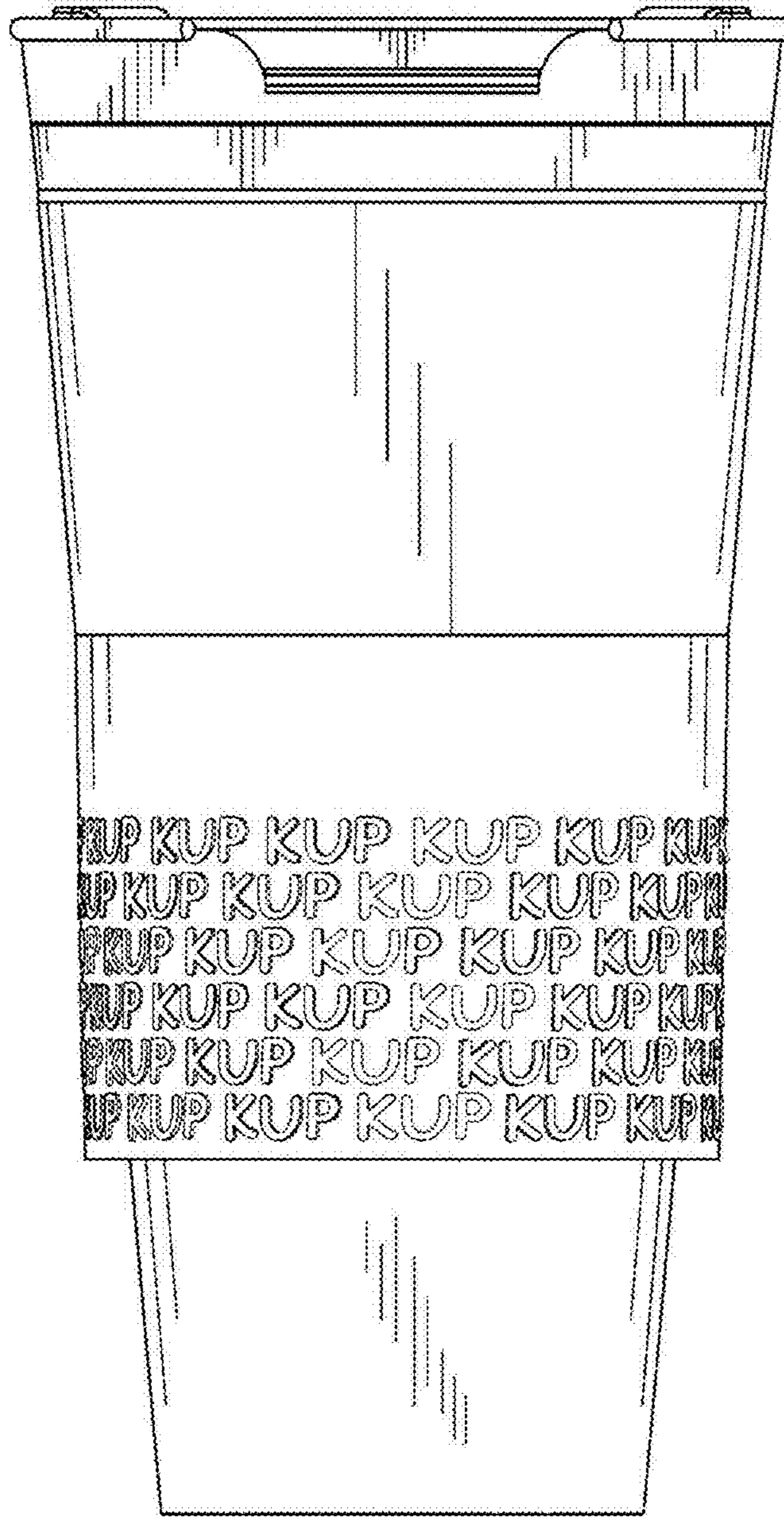


FIG. 5

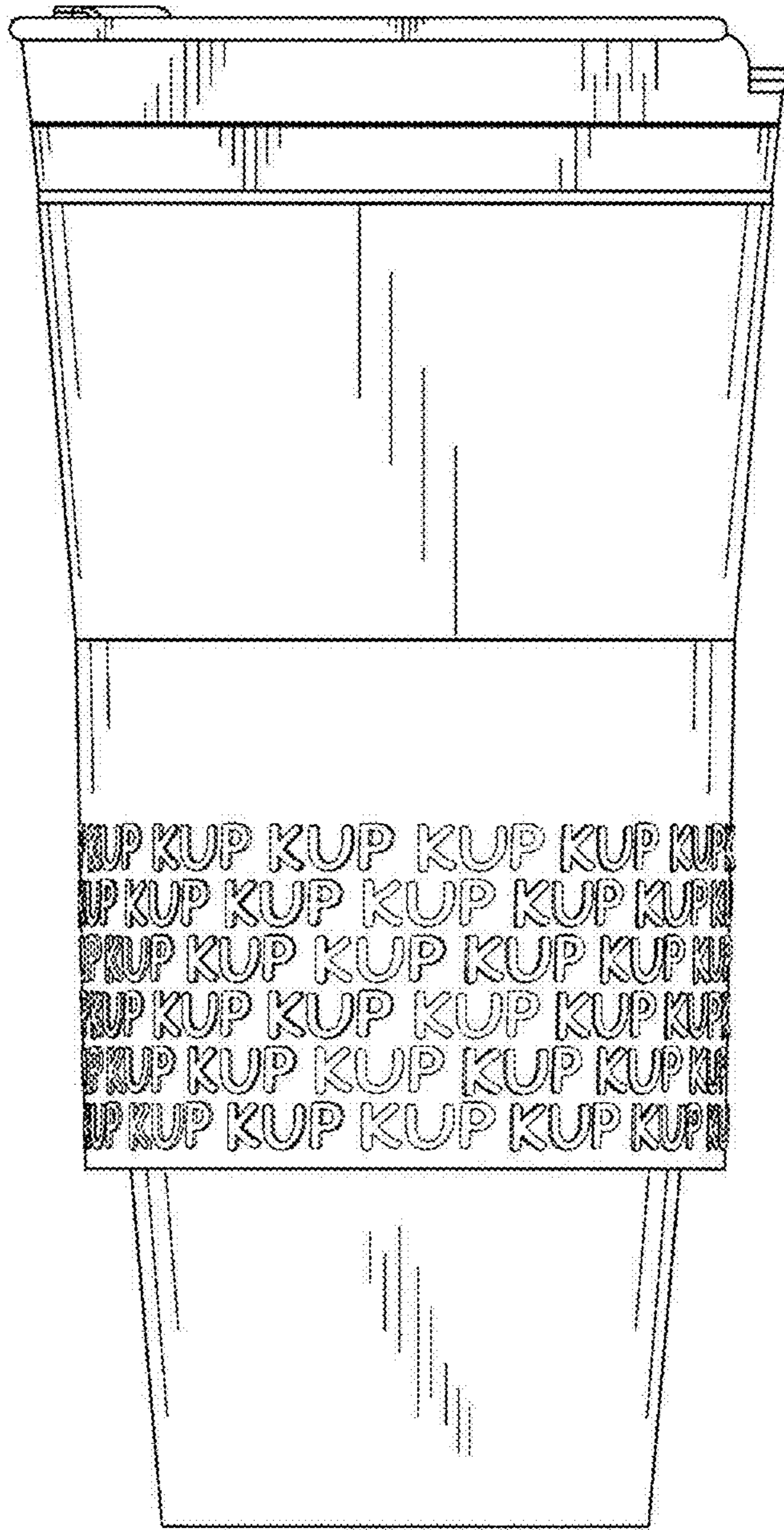


FIG. 6

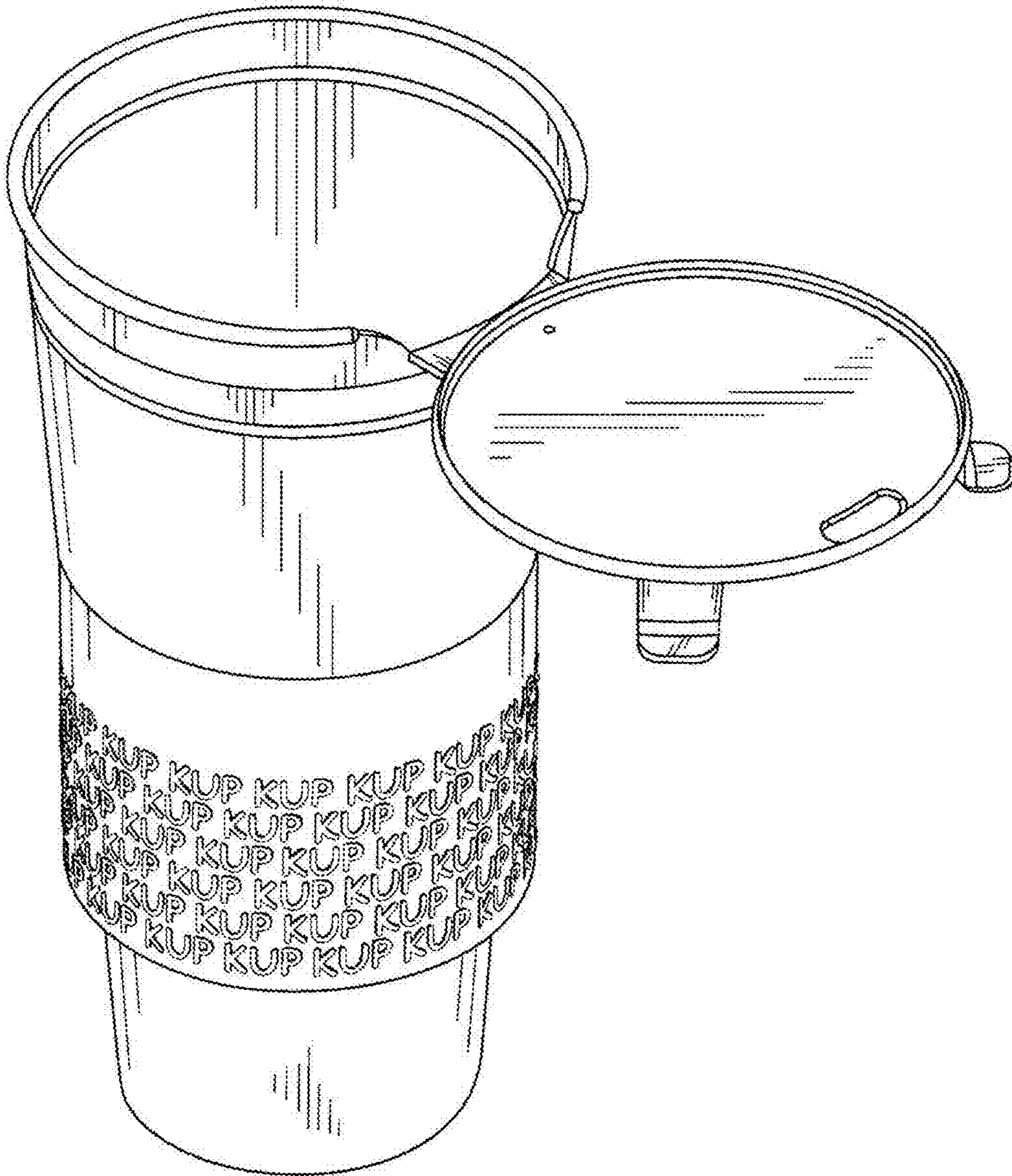


FIG. 7

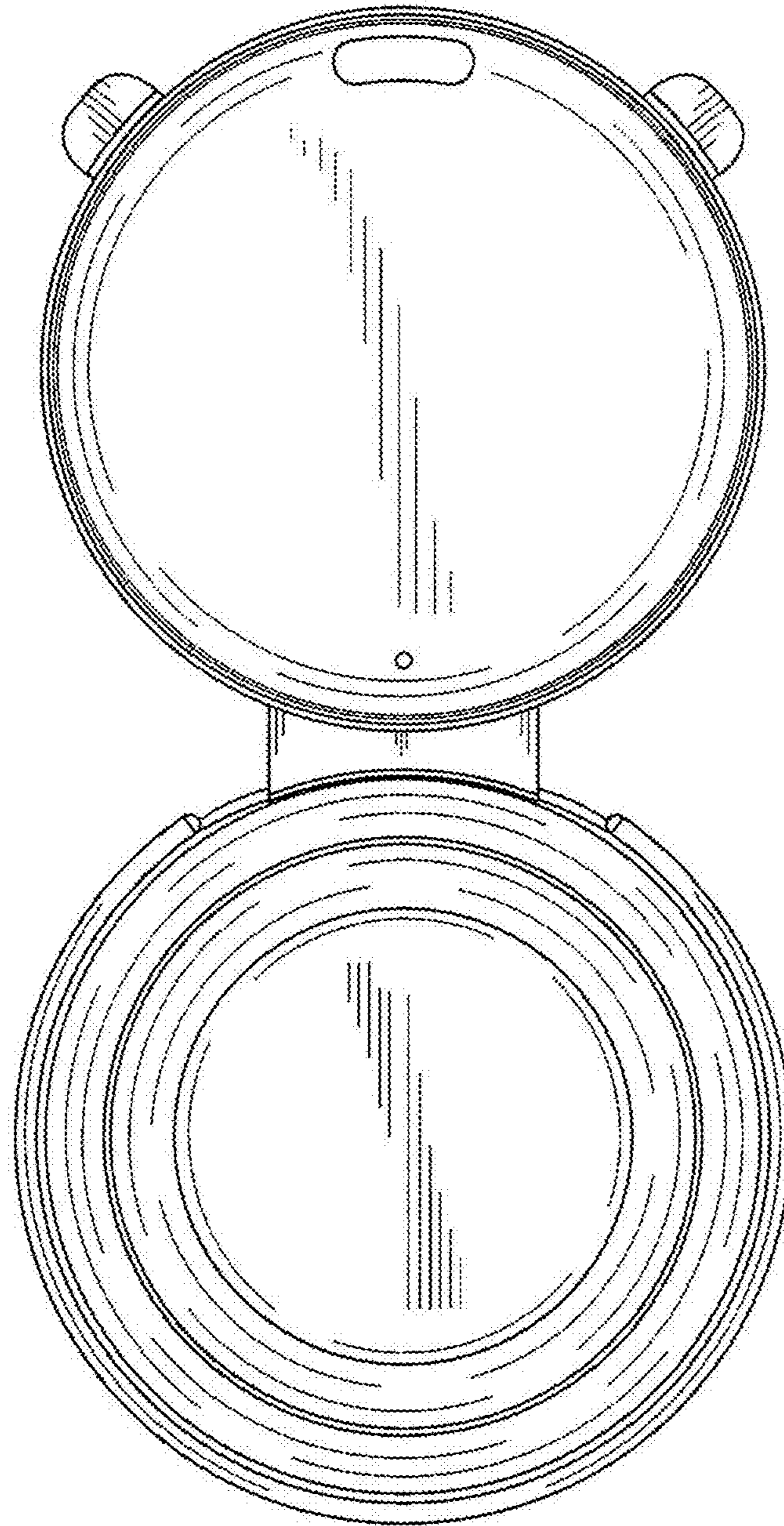


FIG. 8

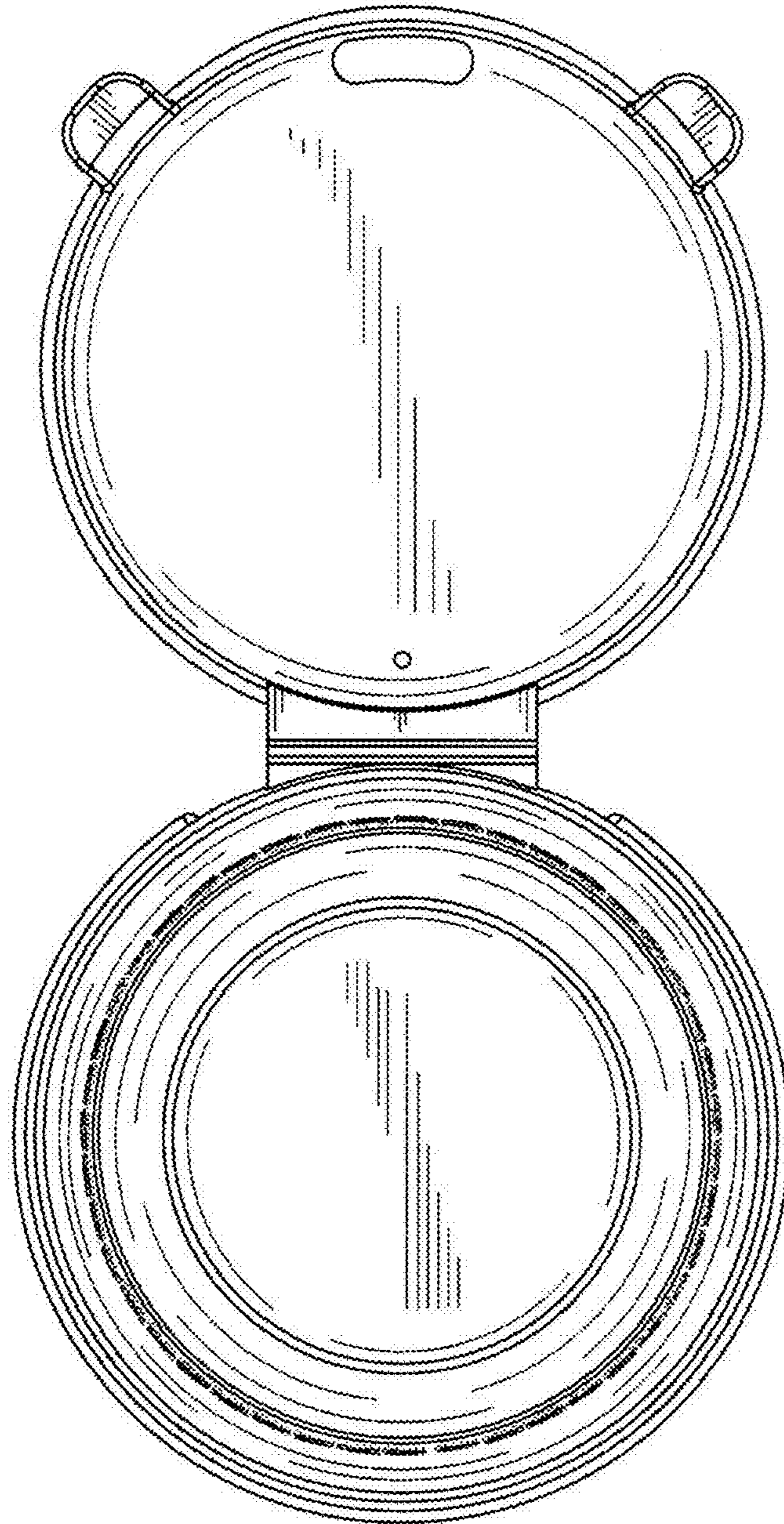


FIG. 9

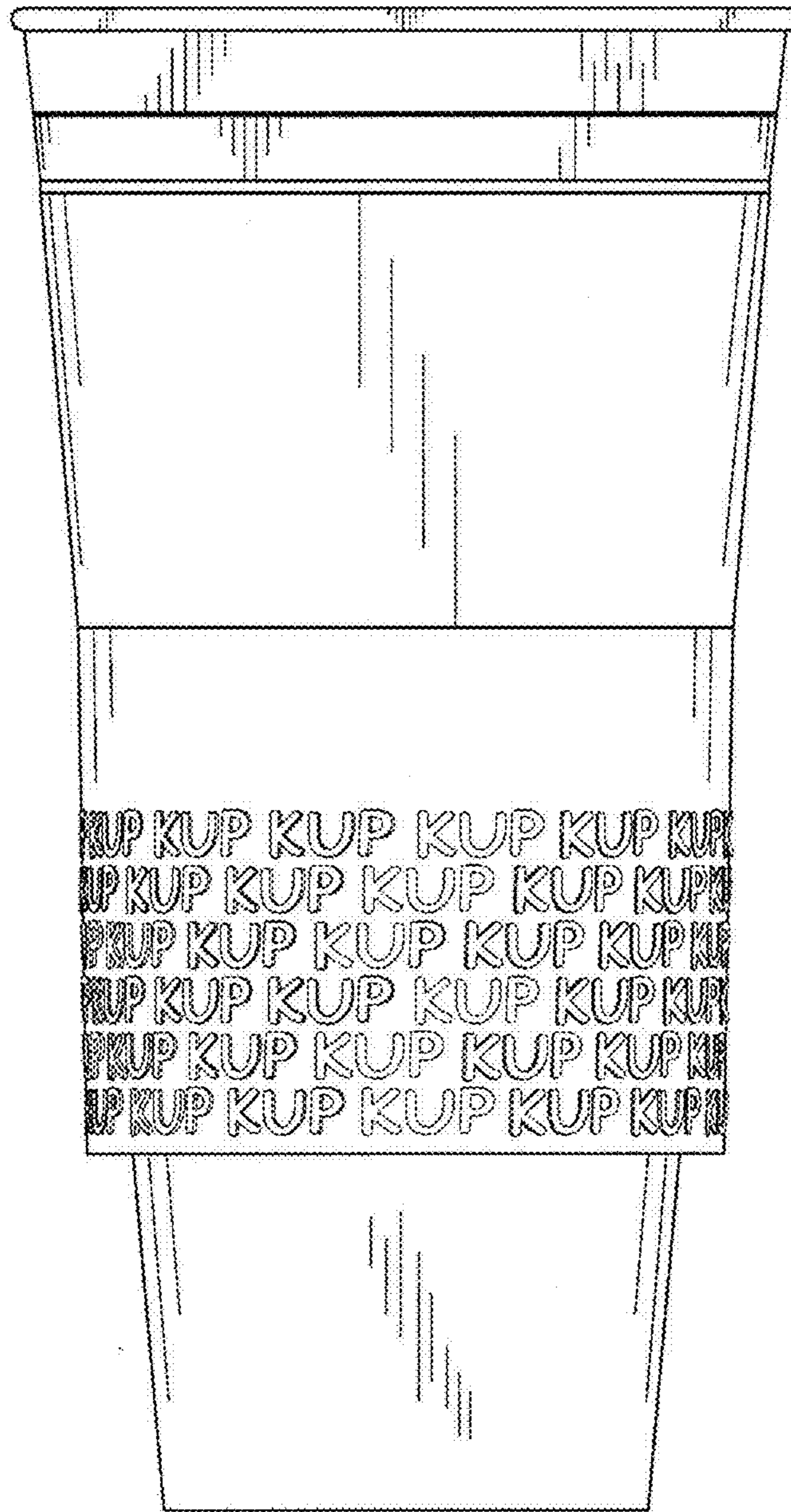


FIG. 10

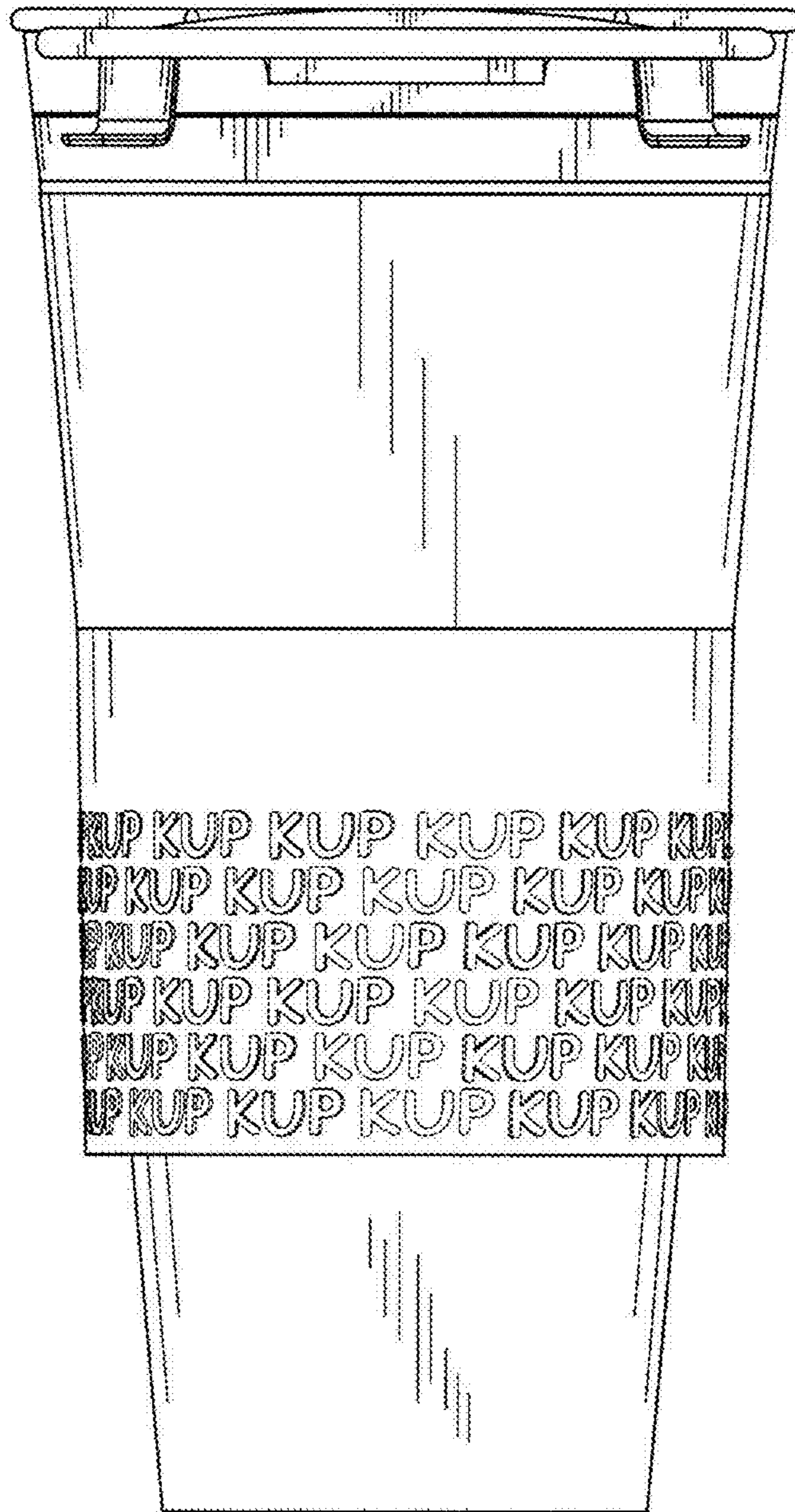


FIG. 11

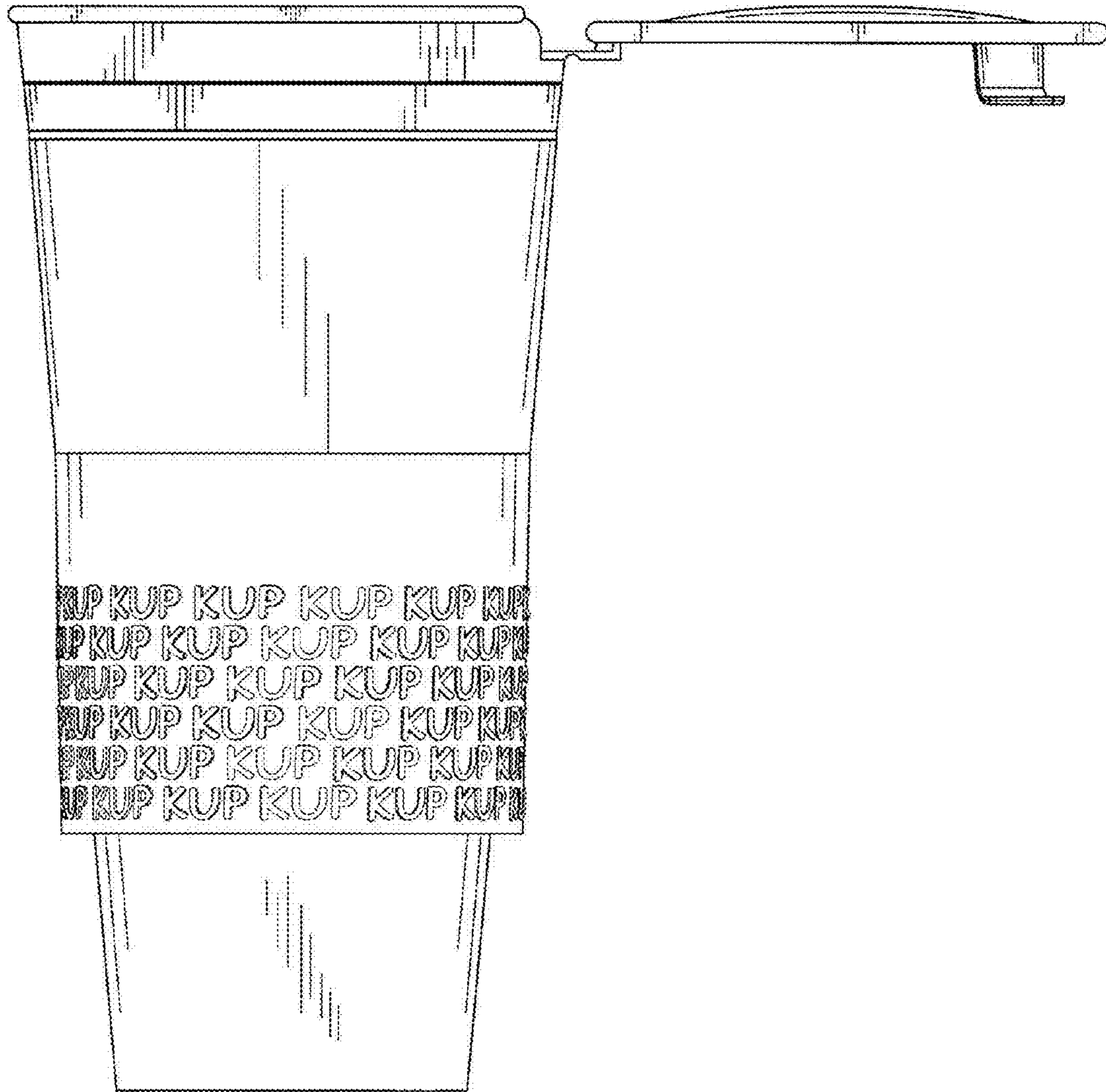


FIG. 12