



US00D683185S

(12) **United States Design Patent**
Thomas

(10) **Patent No.:** **US D683,185 S**

(45) **Date of Patent:** **** May 28, 2013**

(54) **DRINKING CUP**

(75) Inventor: **Elodie Jeanne Claudine Thomas,**
Amsterdam (NL)

(73) Assignee: **Koninklijke Philips Electronics N.V.,**
Eindhoven (NL)

(**) **Term:** **14 Years**

(21) Appl. No.: **29/410,887**

(22) Filed: **Jan. 13, 2012**

(30) **Foreign Application Priority Data**

Jul. 15, 2011 (EM) 001892316-0002

(51) **LOC (9) Cl.** **07-01**

(52) **U.S. Cl.**
USPC **D7/510; D7/511; D7/534**

(58) **Field of Classification Search**
USPC **D7/534, 536, 509, 507, 533, 510,**
D7/511; 215/11.1, 11.6; 220/710.5, 714,
220/719, 288; D24/197

See application file for complete search history.

(56) **References Cited**

U.S. PATENT DOCUMENTS

D162,302 S *	3/1951	Horne	D7/523
D315,213 S *	3/1991	Ohnuki	D24/197
D326,796 S *	6/1992	Kawano	D7/510
D365,247 S *	12/1995	Sokolski et al.	D7/511
5,588,552 A *	12/1996	Johnson	220/712
D425,994 S *	5/2000	Hakim	D24/197
D476,849 S *	7/2003	Randolph	D7/510
D559,624 S *	1/2008	Carreno	D7/534
7,562,789 B2 *	7/2009	Randolph et al.	220/710.5
D616,706 S *	6/2010	Bofinger et al.	D7/534

D619,851 S *	7/2010	Miller et al.	D7/510
D623,474 S *	9/2010	Carlson et al.	D7/510
7,922,031 B1 *	4/2011	Prince	220/739
D642,435 S *	8/2011	Schofield et al.	D7/510
D642,862 S *	8/2011	Tobias	D7/510
D642,863 S *	8/2011	Tobias	D7/510
D642,864 S *	8/2011	Tobias	D7/510
D642,866 S *	8/2011	Schofield et al.	D7/510
D643,692 S *	8/2011	Selina et al.	D7/607
D644,067 S *	8/2011	Valderrama et al.	D7/534
D652,248 S *	1/2012	Valderrama et al.	D7/392.1
D658,443 S *	5/2012	Chiu et al.	D7/507
D662,362 S *	6/2012	Bickert et al.	D7/510
8,256,641 B2 *	9/2012	Randolph et al.	220/710.5
D672,610 S *	12/2012	Park et al.	D7/510
2006/0027640 A1 *	2/2006	Smith et al.	229/400
2007/0163984 A1 *	7/2007	Nguyen et al.	215/11.3
2008/0078824 A1 *	4/2008	Spiegel et al.	229/403

* cited by examiner

Primary Examiner — Marianne Pandozzi

(57) **CLAIM**

The ornamental design for a drinking cup, as shown and described.

DESCRIPTION

FIG. 1 is a perspective view of a drinking cup showing my design.

FIG. 2 is a front elevational view thereof;

FIG. 3 is a rear elevational view thereof;

FIG. 4 is a right side elevational view thereof;

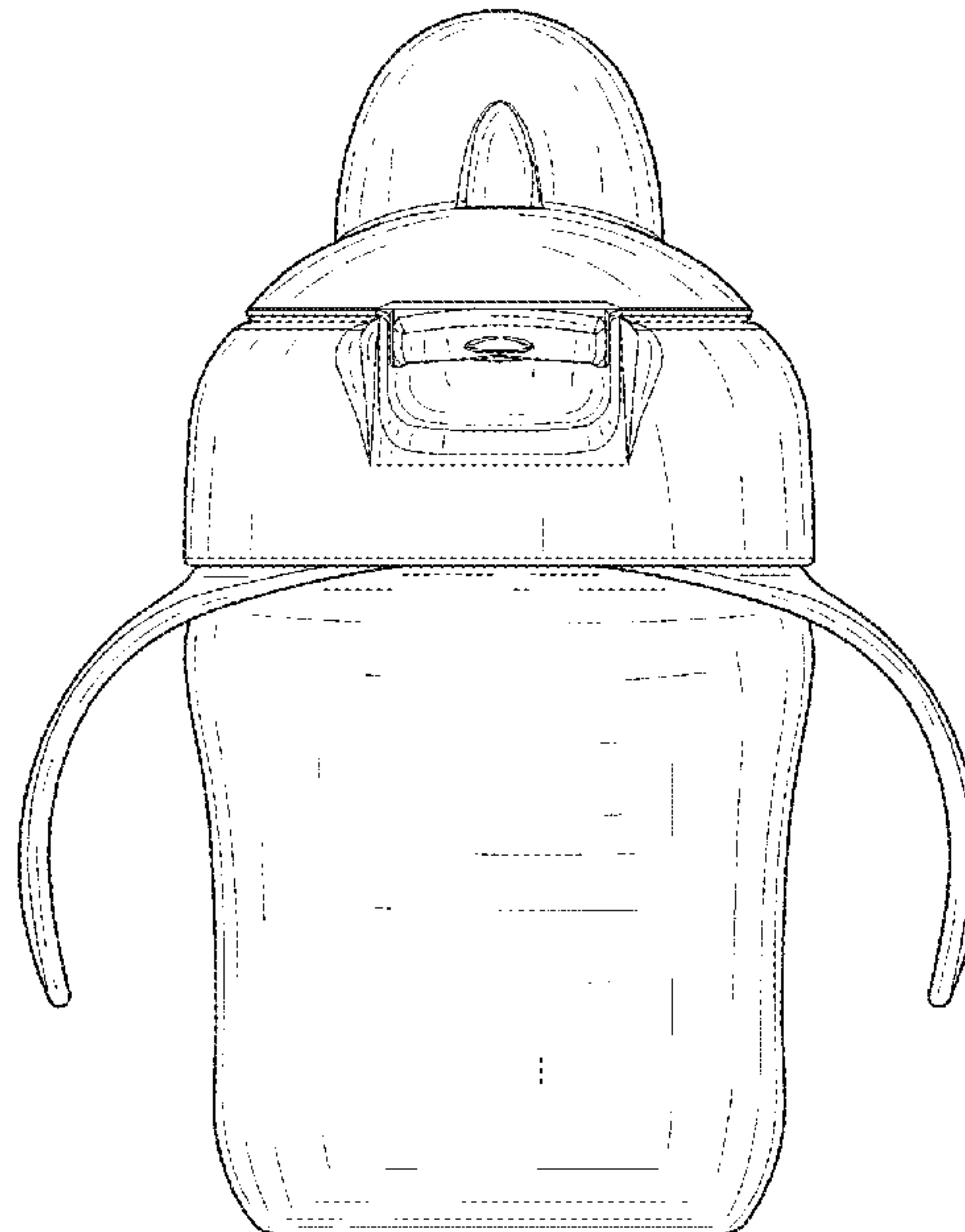
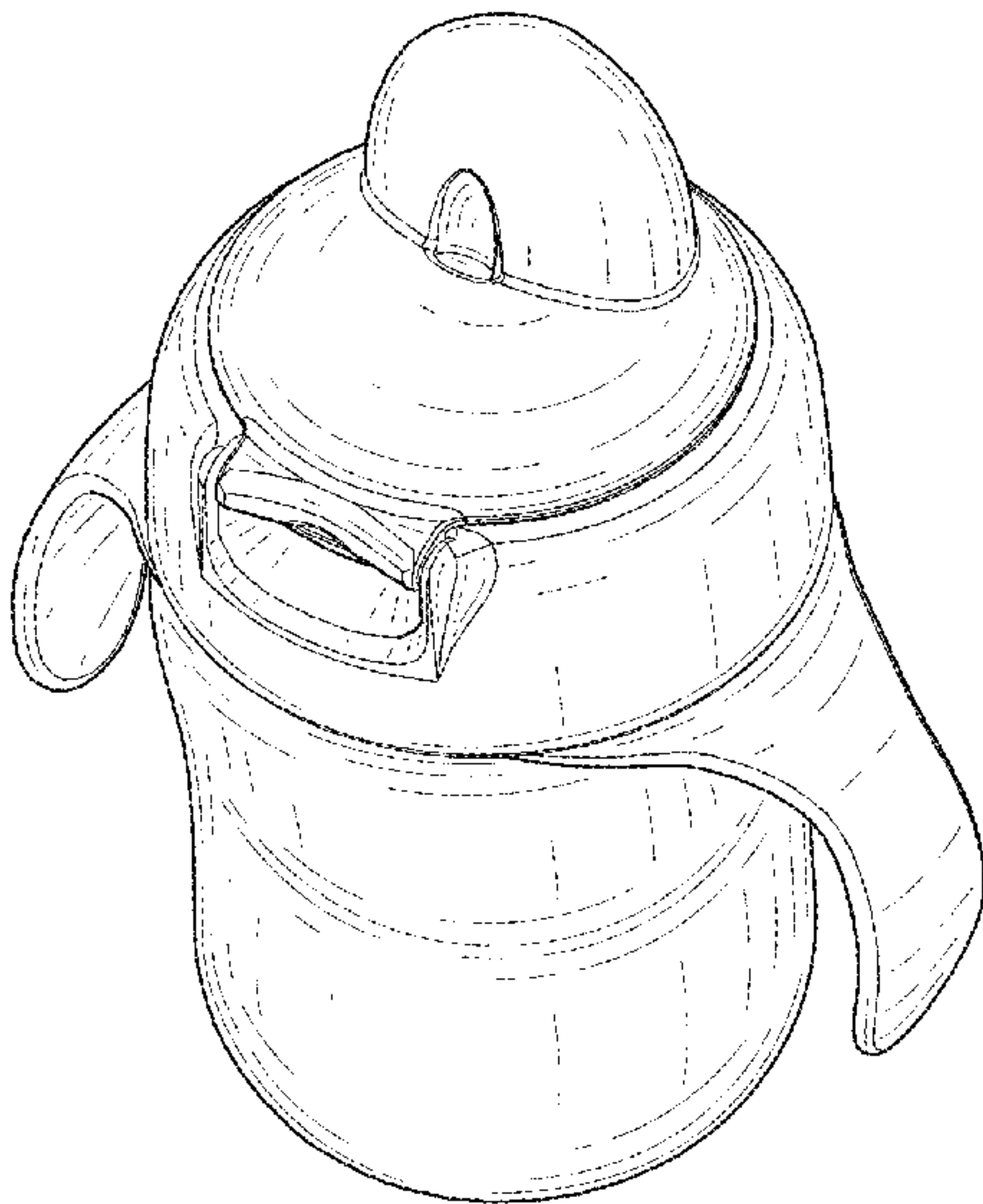
FIG. 5 is a left side elevational view thereof;

FIG. 6 is a top plan view thereof; and,

FIG. 7 is a bottom plan view thereof.

The broken lines illustrate portions of the drinking cup which form no part of the claimed design.

1 Claim, 6 Drawing Sheets



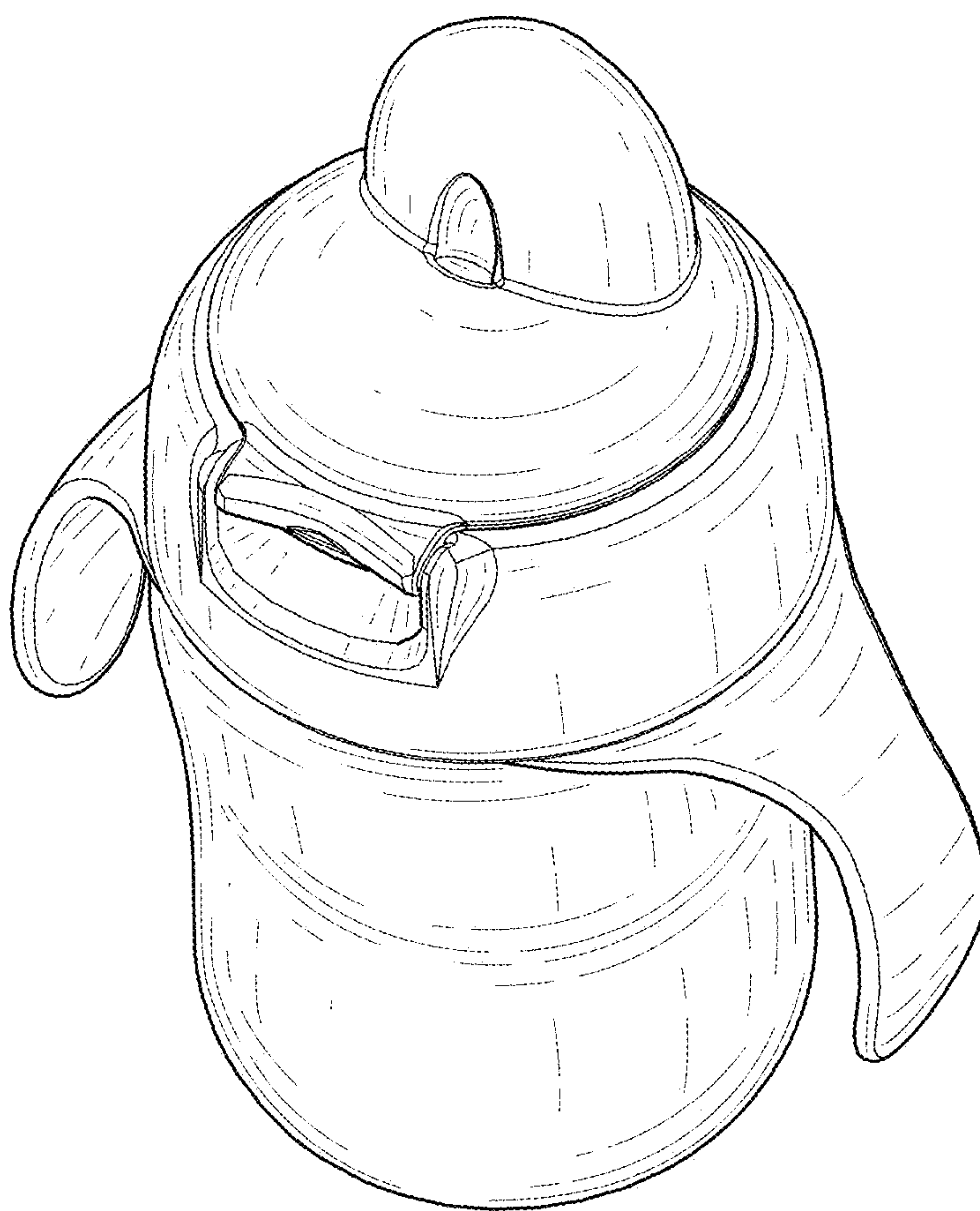


FIG. 1

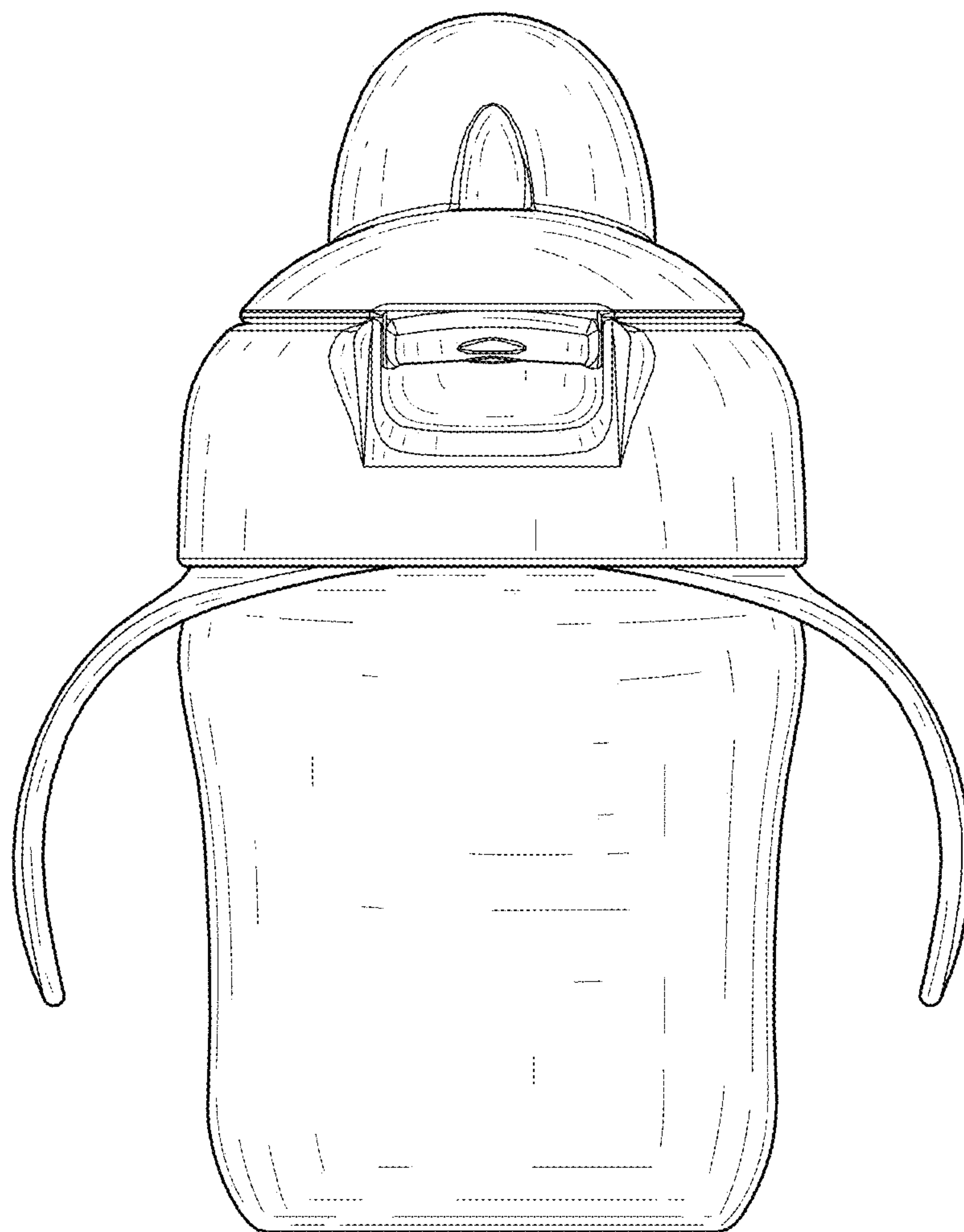


FIG. 2

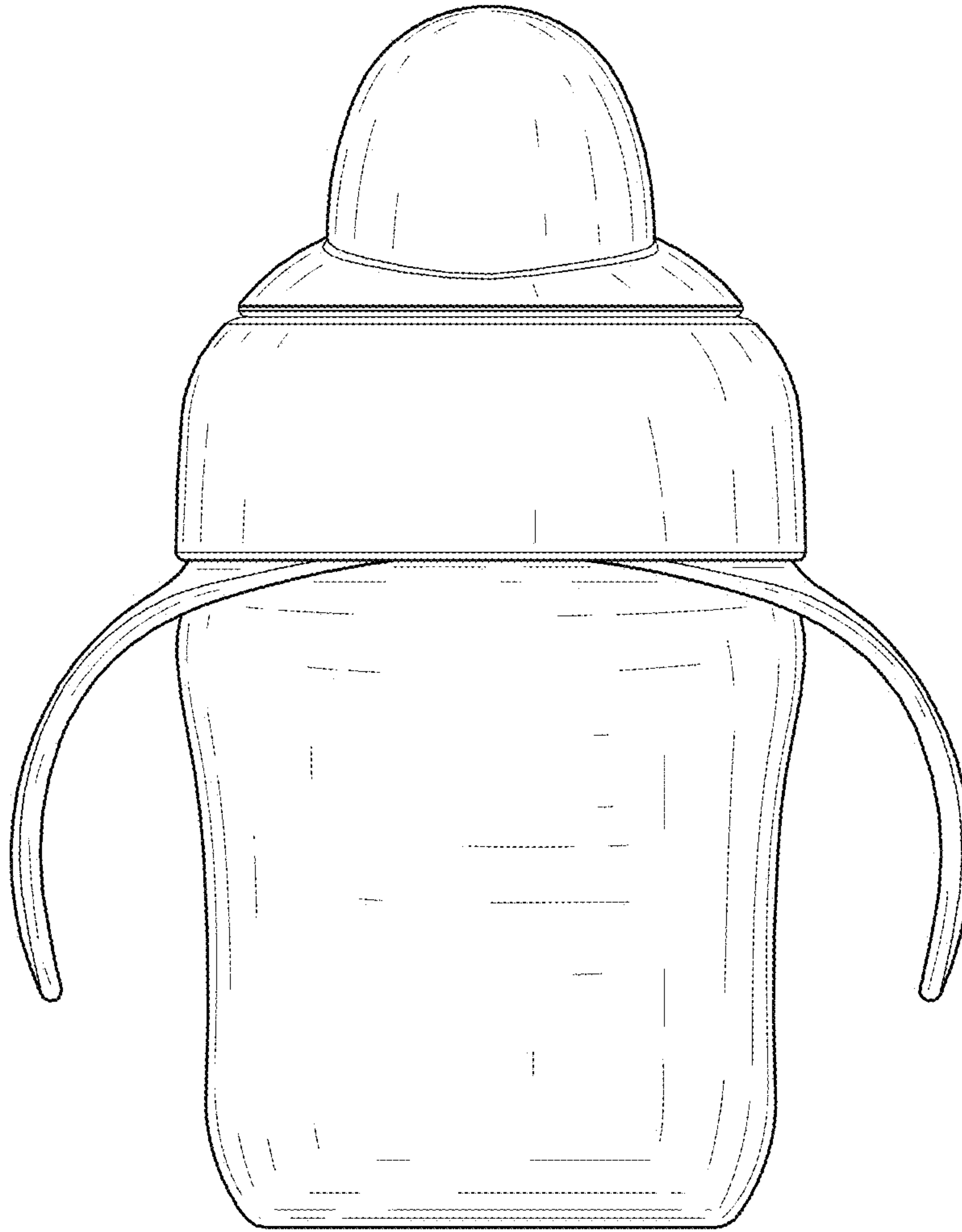


FIG. 3

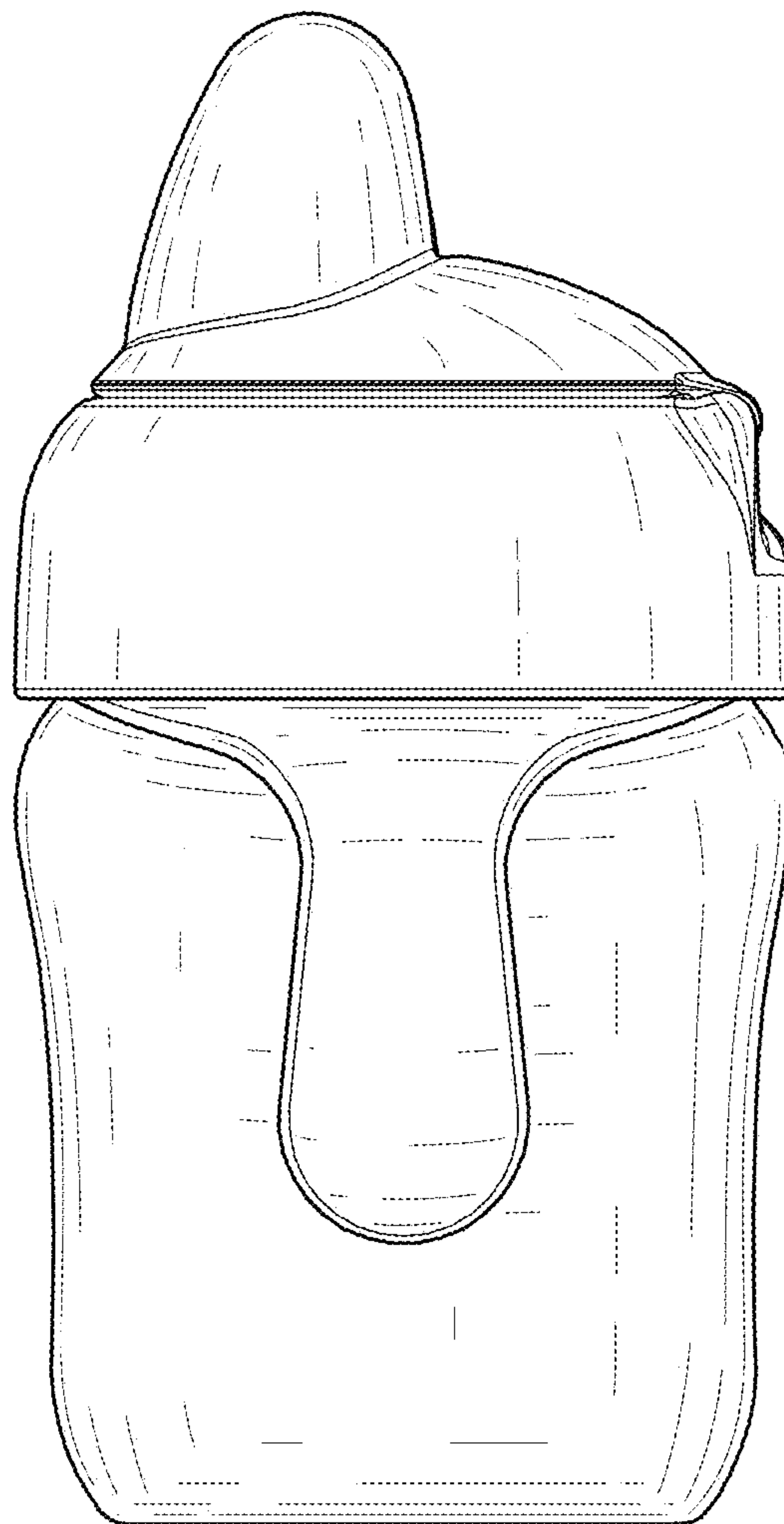


FIG. 4

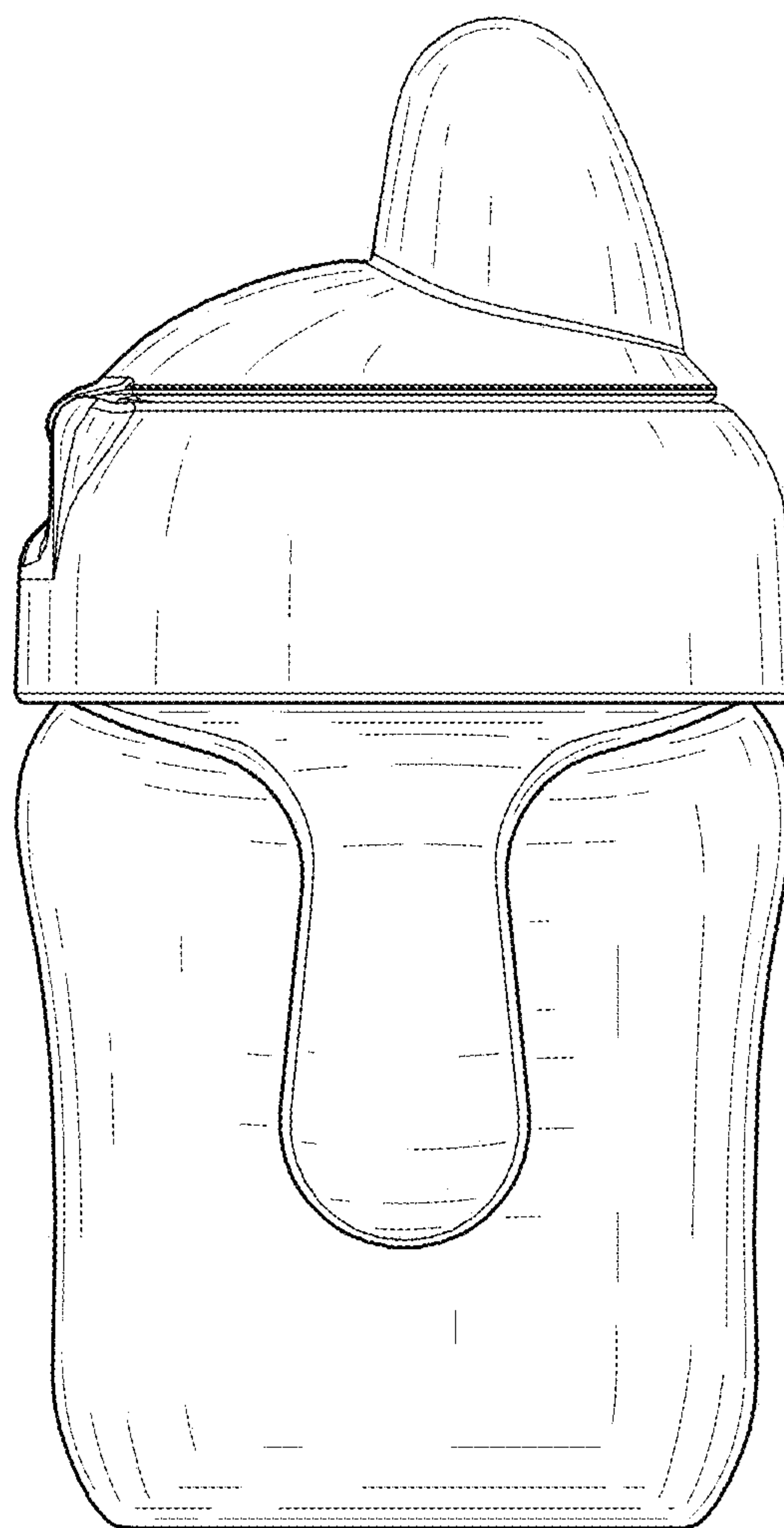


FIG. 5

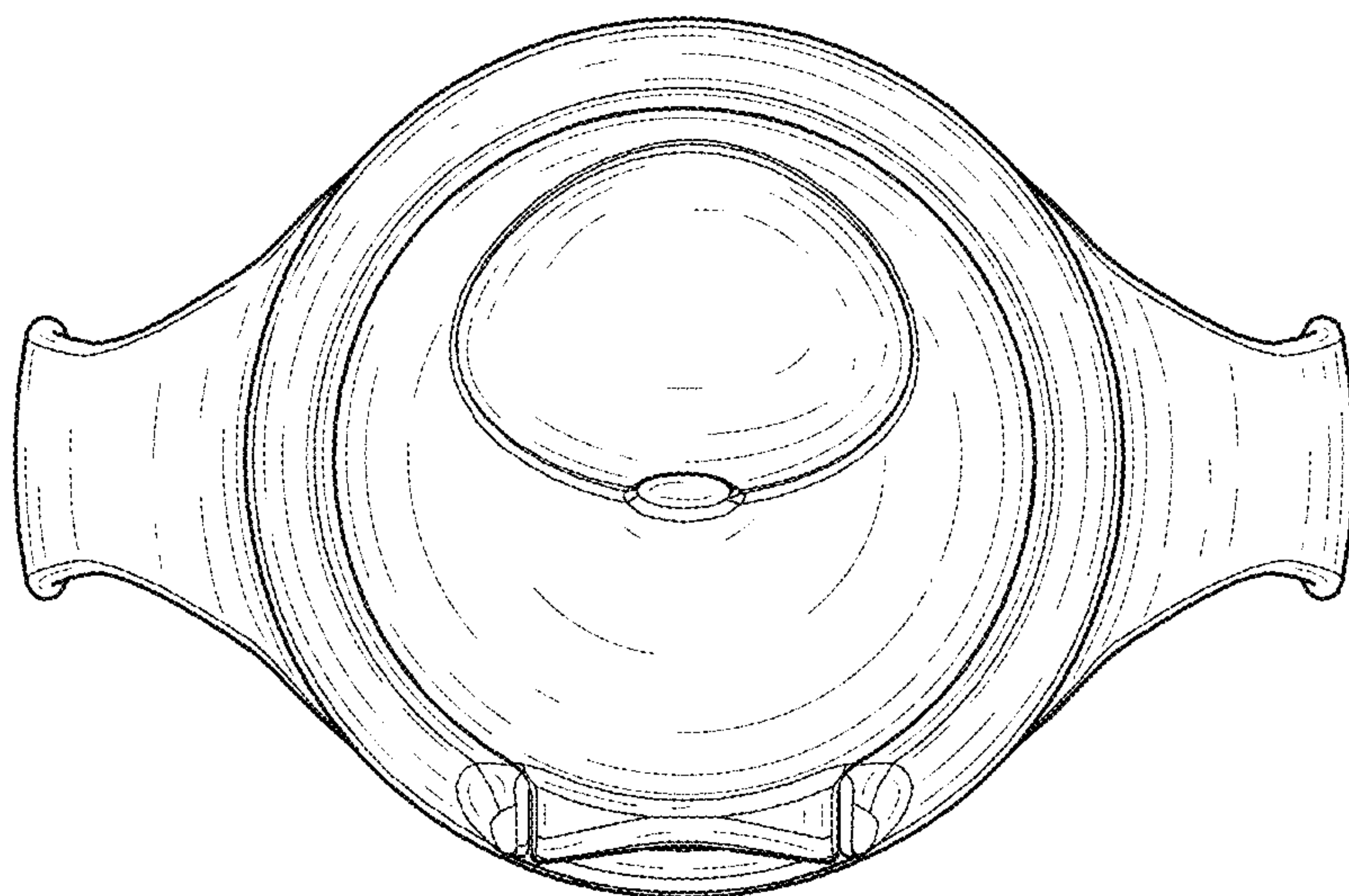


FIG. 6

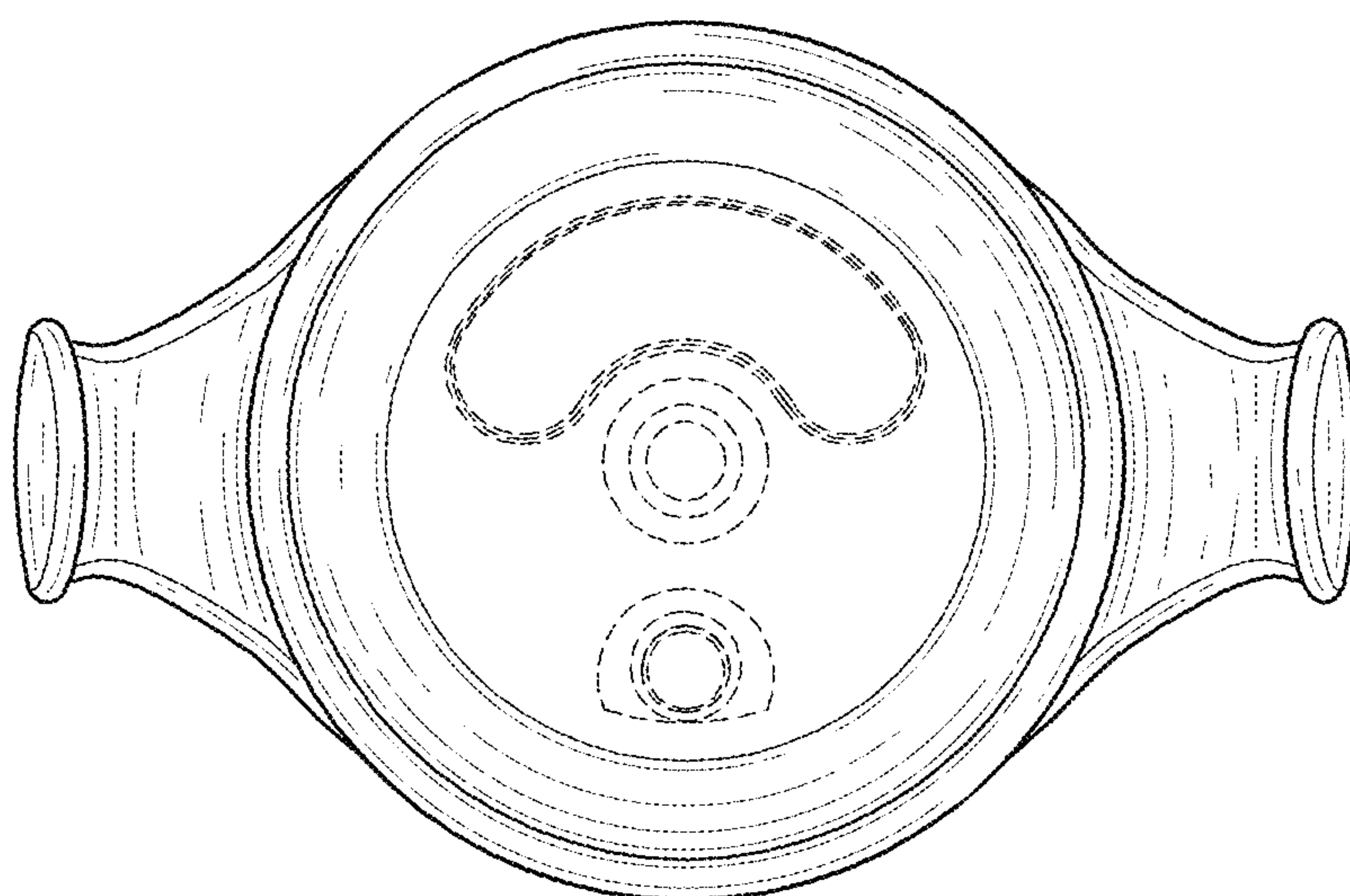


FIG. 7