



US00D683182S

(12) **United States Design Patent**
de Klein

(10) **Patent No.:** **US D683,182 S**

(45) **Date of Patent:** **** May 28, 2013**

(54) **BASE UNIT FOR TEA MAKER**

(75) Inventor: **Nicole Louisa de Klein**, Amsterdam
(NL)

(73) Assignee: **Koninklijke Philips Electronics N.V.**,
Eindhoven (NL)

(**) Term: **14 Years**

(21) Appl. No.: **29/389,961**

(22) Filed: **Apr. 19, 2011**

(30) **Foreign Application Priority Data**

Oct. 20, 2010 (EM) 001771007-0004

(51) **LOC (9) Cl.** **07-99**

(52) **U.S. Cl.**
USPC **D7/399; D7/397; D7/403**

(58) **Field of Classification Search** D7/312,
D7/320, 321, 322, 300, 346, 367, 407, 403,
D7/402, 399; 222/500, 189.07; 431/266
See application file for complete search history.

(56) **References Cited**

U.S. PATENT DOCUMENTS

D115,411 S * 6/1939 Smith D7/300
3,218,435 A * 11/1965 Mandziak 219/437
D255,009 S * 5/1980 Matusiak et al. D7/407

D399,090 S * 10/1998 Green D7/319
D448,235 S * 9/2001 Jørgensen D7/319
D448,622 S * 10/2001 Horvat D7/555
D455,314 S * 4/2002 Choi D7/319
D479,091 S * 9/2003 Glucksman et al. D7/319
6,767,453 B2 * 7/2004 Lifschitz 210/85
D571,832 S * 6/2008 Ota et al. D15/138
7,708,958 B2 * 5/2010 Namespetra et al. 422/300
D622,090 S * 8/2010 Bodum D7/317
D628,854 S * 12/2010 Brattoli et al. D7/407
D635,394 S * 4/2011 Brattoli et al. D7/367
8,122,640 B2 * 2/2012 Chou 47/41.01
2006/0163174 A1 * 7/2006 Namespetra et al. 210/760

* cited by examiner

Primary Examiner — Marianne Pandozzi

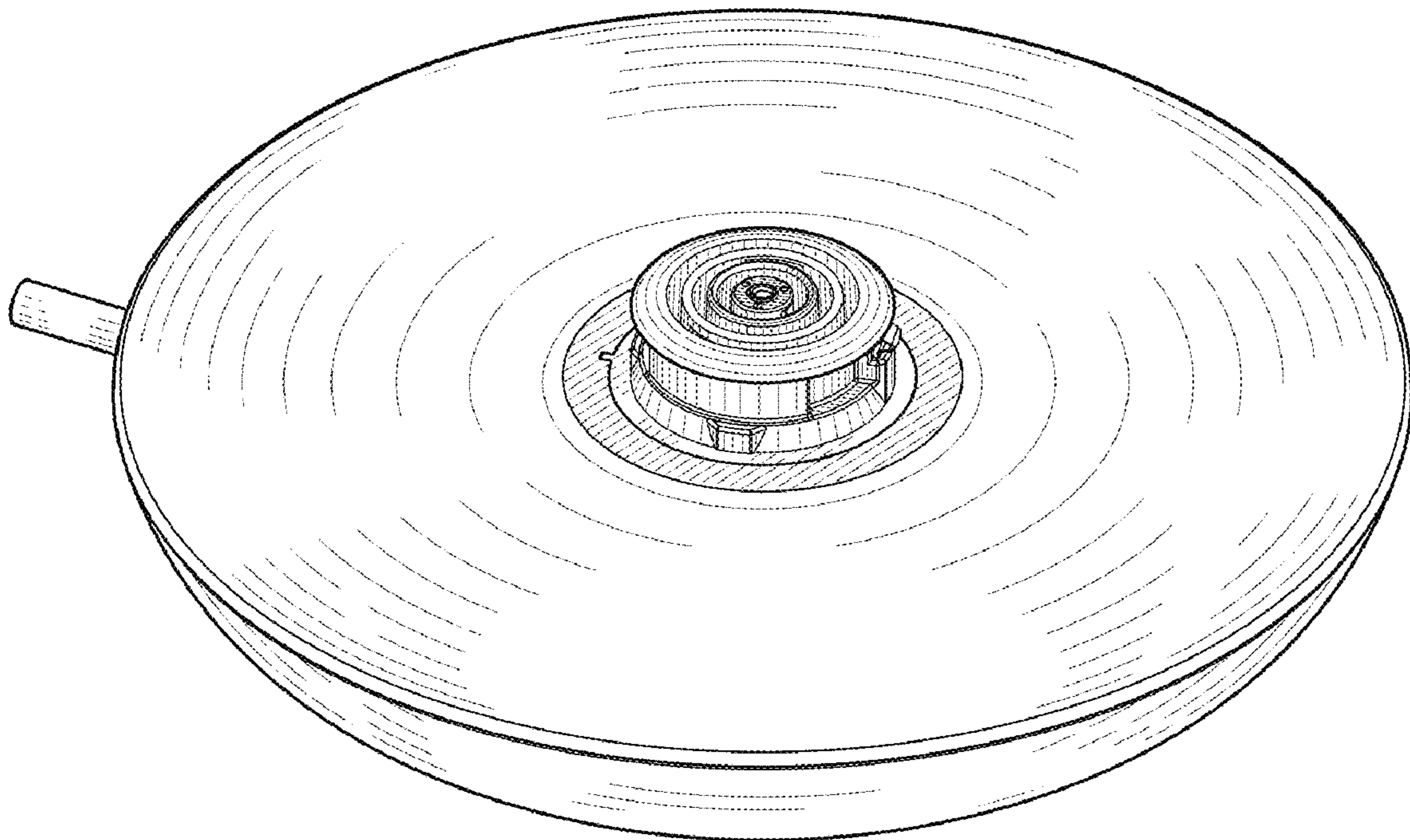
(57) **CLAIM**

The ornamental design for a base unit for tea maker, as shown and described.

DESCRIPTION

FIG. 1 is a perspective view showing my design;
FIG. 2 is a front elevational view thereof;
FIG. 3 is a rear elevational view thereof;
FIG. 4 is a right side elevational view thereof;
FIG. 5 is a left side elevational view thereof;
FIG. 6 is a top plan view thereof; and,
FIG. 7 is a bottom plan view thereof.
The portions of the base unit for tea maker shown in broken lines form no part of the claimed design.

1 Claim, 4 Drawing Sheets



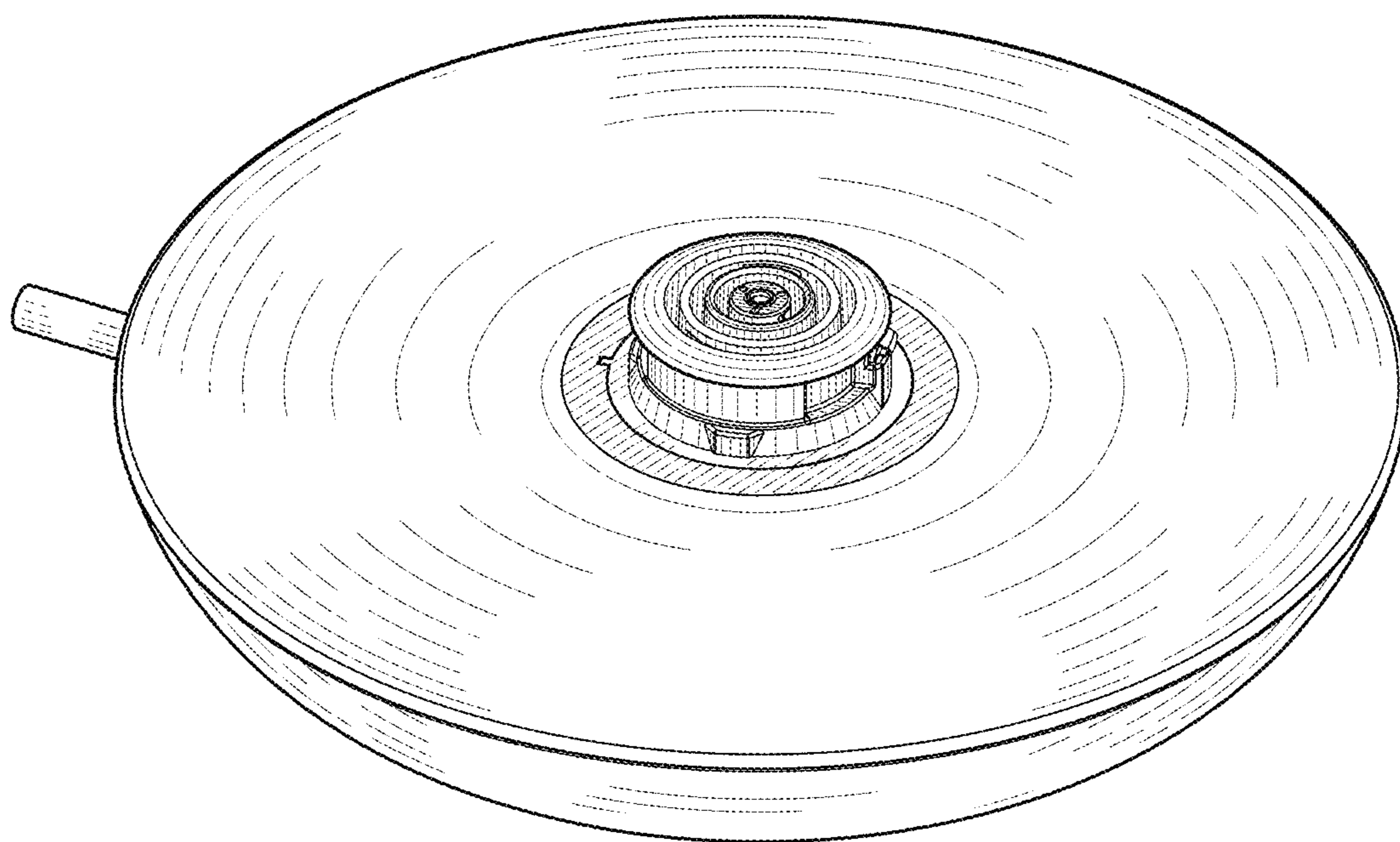


FIG. 1

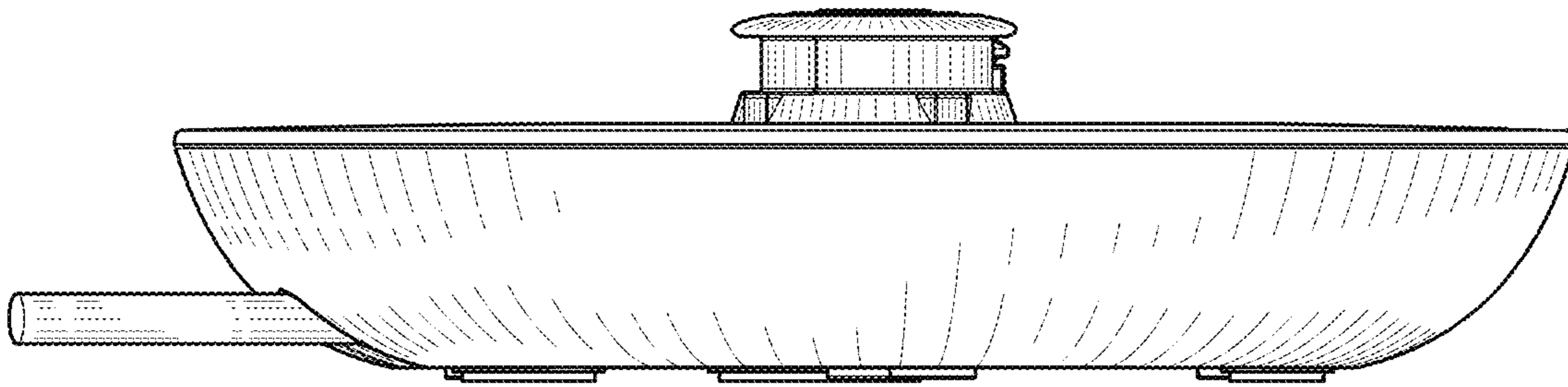


FIG. 2

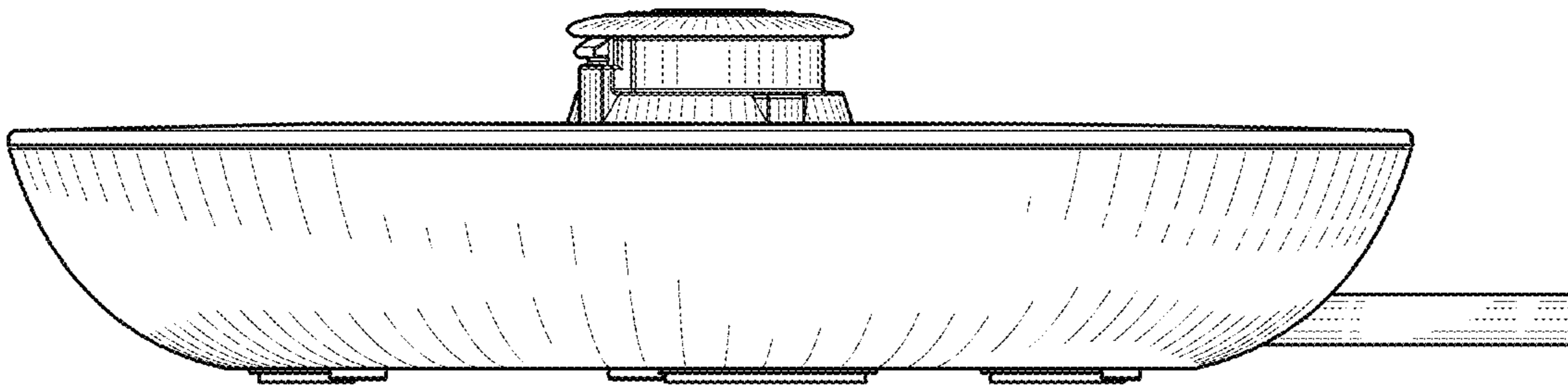


FIG. 3

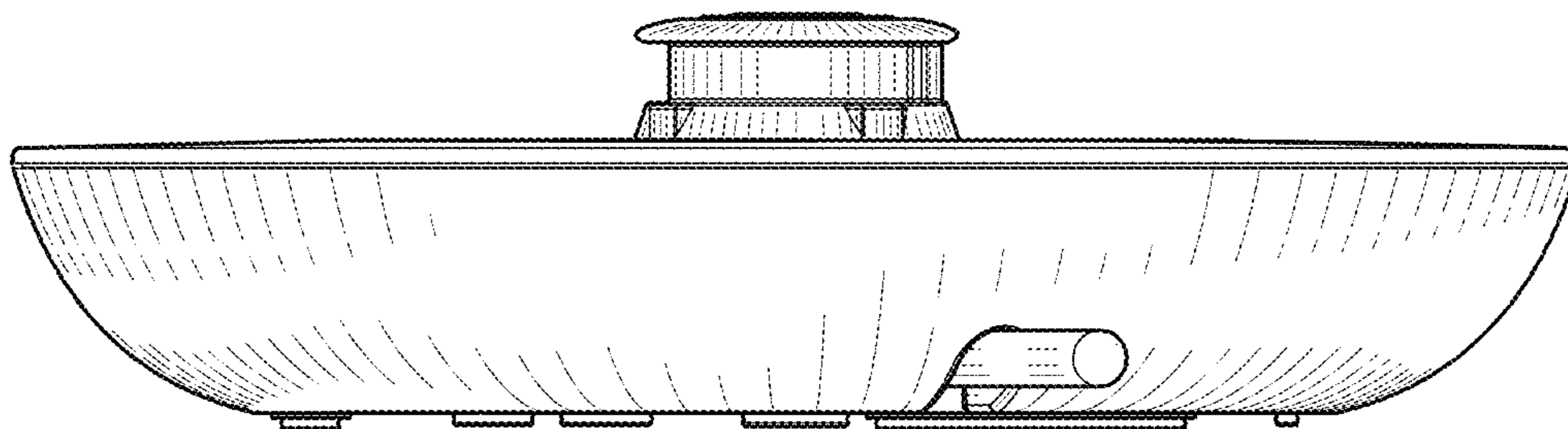


FIG. 4

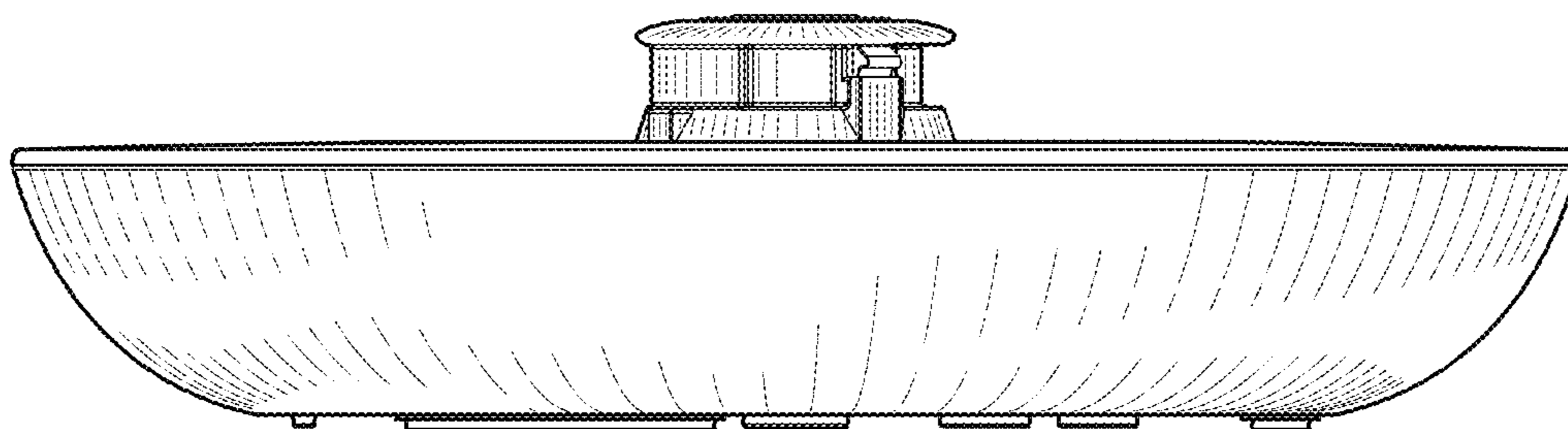


FIG. 5

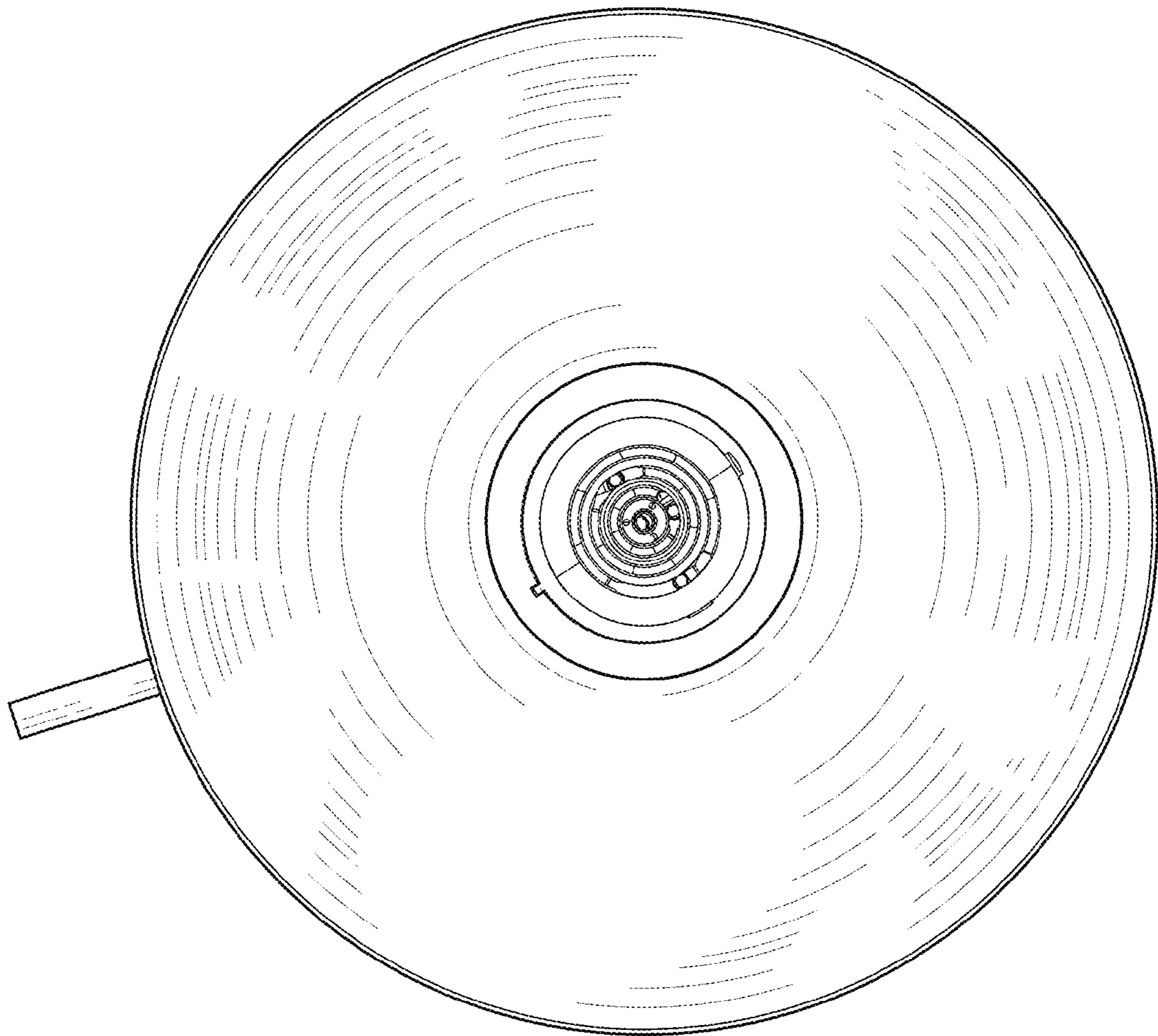


FIG. 6

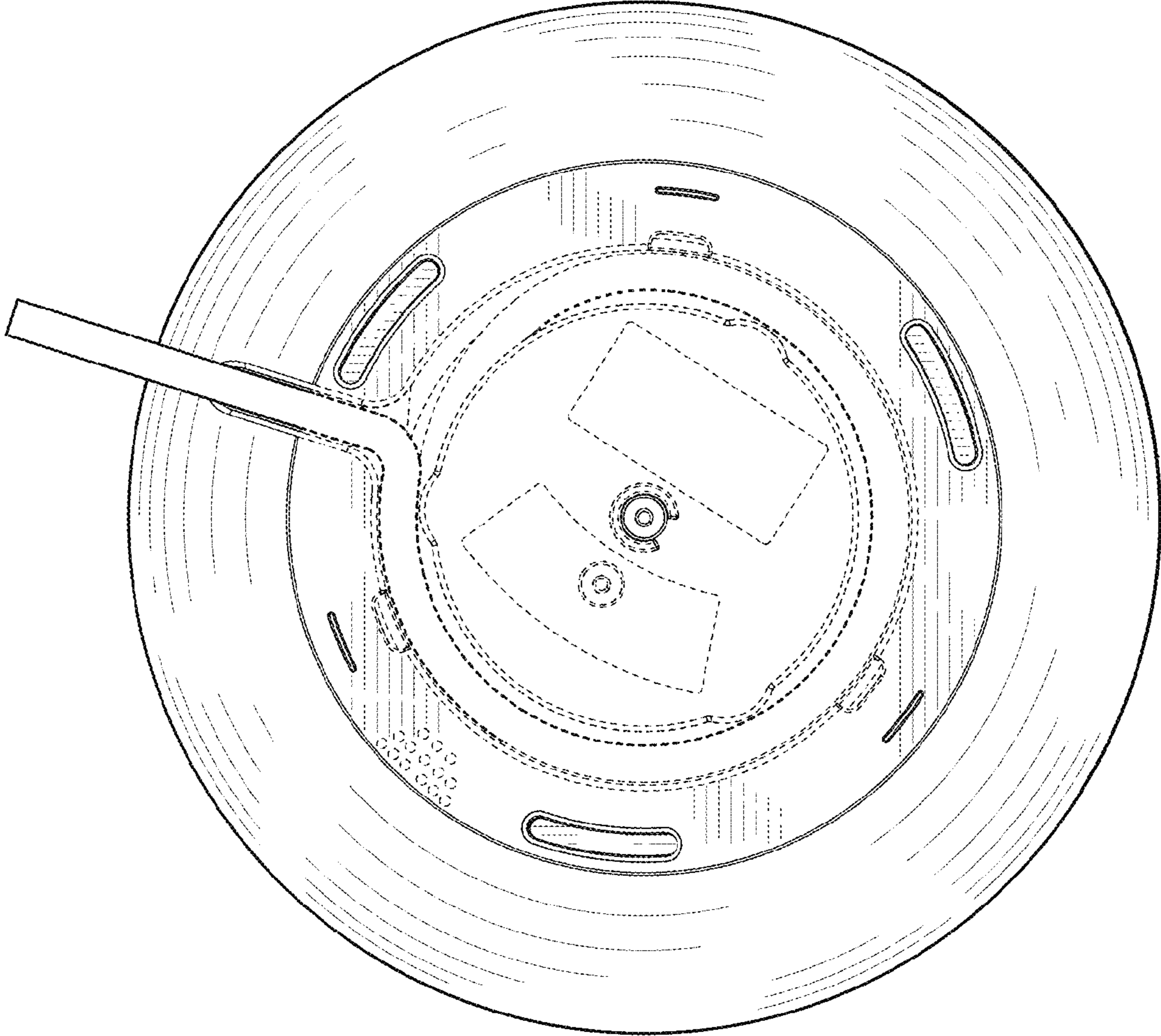


FIG. 7