



US00D683179S

(12) **United States Design Patent**
Coursey et al.

(10) **Patent No.:** **US D683,179 S**
(45) **Date of Patent:** **** May 28, 2013**

- (54) **COCOTTE**
- (75) Inventors: **Frances M. Coursey**, Bartlett, IL (US);
William Lupkes, Glendale Heights, IL (US)
- (73) Assignee: **Columbia Insurance Company**,
Omaha, NE (US)
- (**) Term: **14 Years**
- (21) Appl. No.: **29/420,866**
- (22) Filed: **May 14, 2012**
- (51) **LOC (9) Cl.** **07-02**
- (52) **U.S. Cl.**
USPC **D7/360; D7/354**
- (58) **Field of Classification Search** D7/323,
D7/329-332, 337-339, 346-347, 350.1-350.4,
D7/353-367, 391-395, 402-406, 538-543,
D7/608, 665; 99/324-325, 330-332, 337-343,
99/366-369, 400-418, 422, 425, 444, 483; 126/37 R,
126/41 R, 261, 369, 378.1; 206/501-505,
206/507-508; 219/387, 400, 405, 429-442,
219/452.11, 620-624, 725, 730-735; 220/314-315,
220/573.1-573.5, 592.16, 912; 426/438,
426/441

See application file for complete search history.

(56) **References Cited**

U.S. PATENT DOCUMENTS

- D105,937 S 9/1937 Conroy
- D173,093 S * 9/1954 Schreckengost D7/360
- D183,124 S 7/1958 Hampshire
- D184,907 S 4/1959 Bliss
- D185,064 S 5/1959 Clark, Jr.
- D206,452 S 12/1966 Latham
- D207,594 S 5/1967 Aubecq
- D211,979 S 8/1968 Dru

- D219,053 S 10/1970 Gulotta
- D248,076 S 6/1978 Christian
- D253,574 S 12/1979 Anderson, Jr.
- D275,547 S 9/1984 Asti et al.
- D276,398 S 11/1984 Conti et al.
- D288,046 S 2/1987 Levien
- D288,050 S 2/1987 Fox et al.
- D295,819 S 5/1988 Mercadante
- D326,797 S 6/1992 Pomroy et al.
- D338,373 S 8/1993 Sun
- D416,754 S 11/1999 Laib
- D417,367 S 12/1999 Laib
- D421,202 S * 2/2000 Demers D7/538
- 6,026,734 A 2/2000 Dadez
- D431,420 S 10/2000 Susta
- D453,283 S * 2/2002 Terracciano D7/608
- D456,673 S 5/2002 Kerman
- D459,635 S 7/2002 Henry
- D477,970 S 8/2003 Thonis
- D484,745 S 1/2004 Watson
- D535,153 S 1/2007 Eide et al.
- D544,295 S 6/2007 Lion et al.

(Continued)

Primary Examiner — Ricky Pham

(74) *Attorney, Agent, or Firm* — Neal, Gerber & Eisenberg LLP

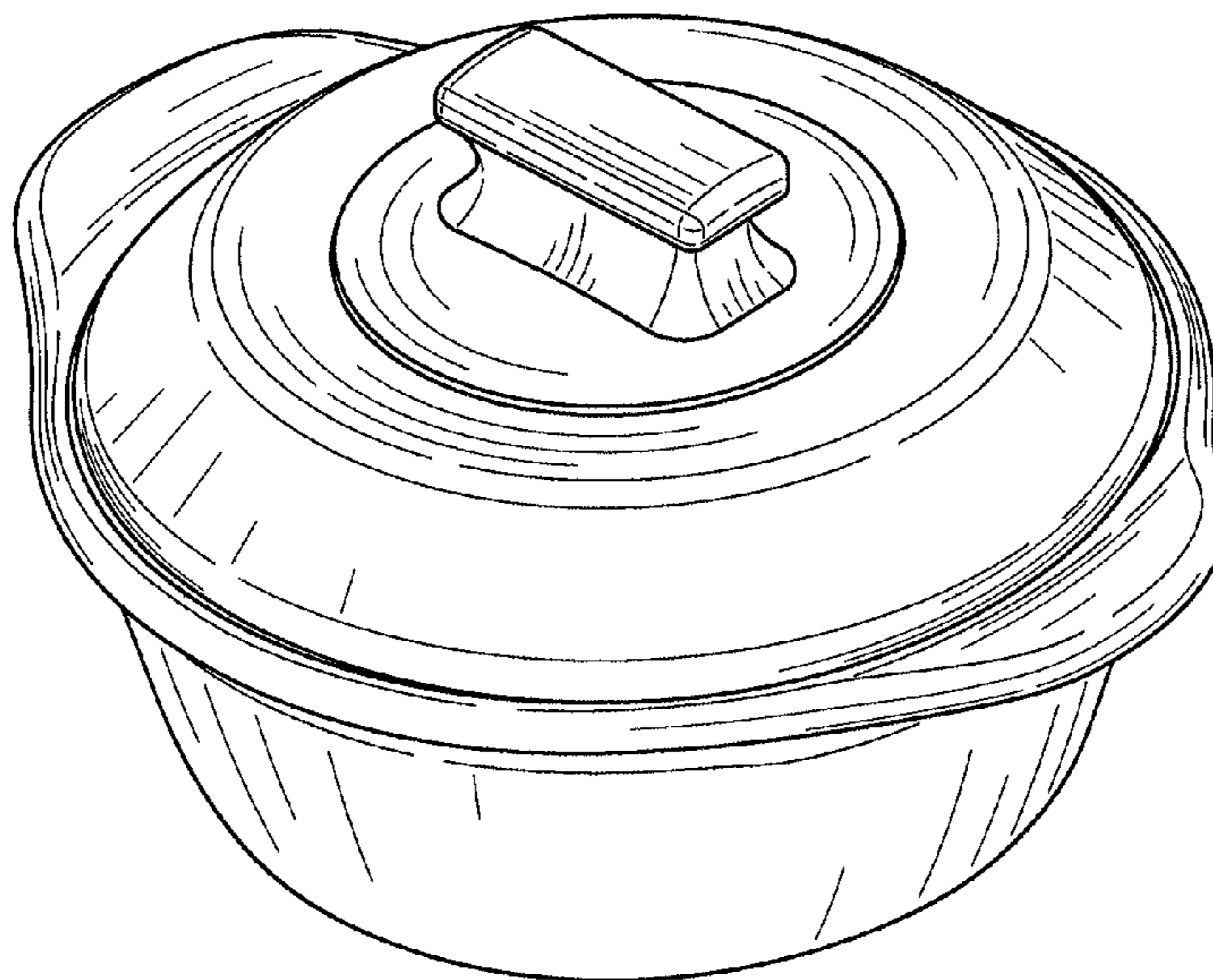
(57) **CLAIM**

The ornamental design for a cocotte, as shown and described.

DESCRIPTION

FIG. 1 is a perspective view of the cocotte of the present invention;
 FIG. 2 is a first side view thereof;
 FIG. 3 is a second side view thereof, opposite the first side;
 FIG. 4 is a third side view thereof;
 FIG. 5 is a fourth side view thereof, opposite the third side;
 FIG. 6 is a top plan view thereof; and,
 FIG. 7 is a bottom plan view thereof.

1 Claim, 4 Drawing Sheets



US D683,179 S

Page 2

U.S. PATENT DOCUMENTS

D554,935 S	11/2007	Lion et al.	
D557,062 S *	12/2007	Henry	D7/360
D557,551 S	12/2007	Tetreault et al.	
D557,972 S *	12/2007	Ablo	D7/354
D563,174 S	3/2008	O'Neil et al.	
D568,108 S	5/2008	Levien	
D571,155 S *	6/2008	Plante et al.	D7/542
D572,969 S *	7/2008	Beyeler	D7/360
D577,549 S *	9/2008	Plante et al.	D7/542
D594,704 S	6/2009	Loaiza	
D625,149 S *	10/2010	Stamper	D7/538
D633,339 S	3/2011	Hart et al.	
D635,402 S	4/2011	Shah	
D641,200 S	7/2011	Lion et al.	
D644,490 S	9/2011	Shah	
D661,160 S *	6/2012	Shah	D7/538
D666,866 S *	9/2012	Lion et al.	D7/357
D667,273 S *	9/2012	Henry	D7/542
D671,367 S *	11/2012	Shah	D7/542

* cited by examiner

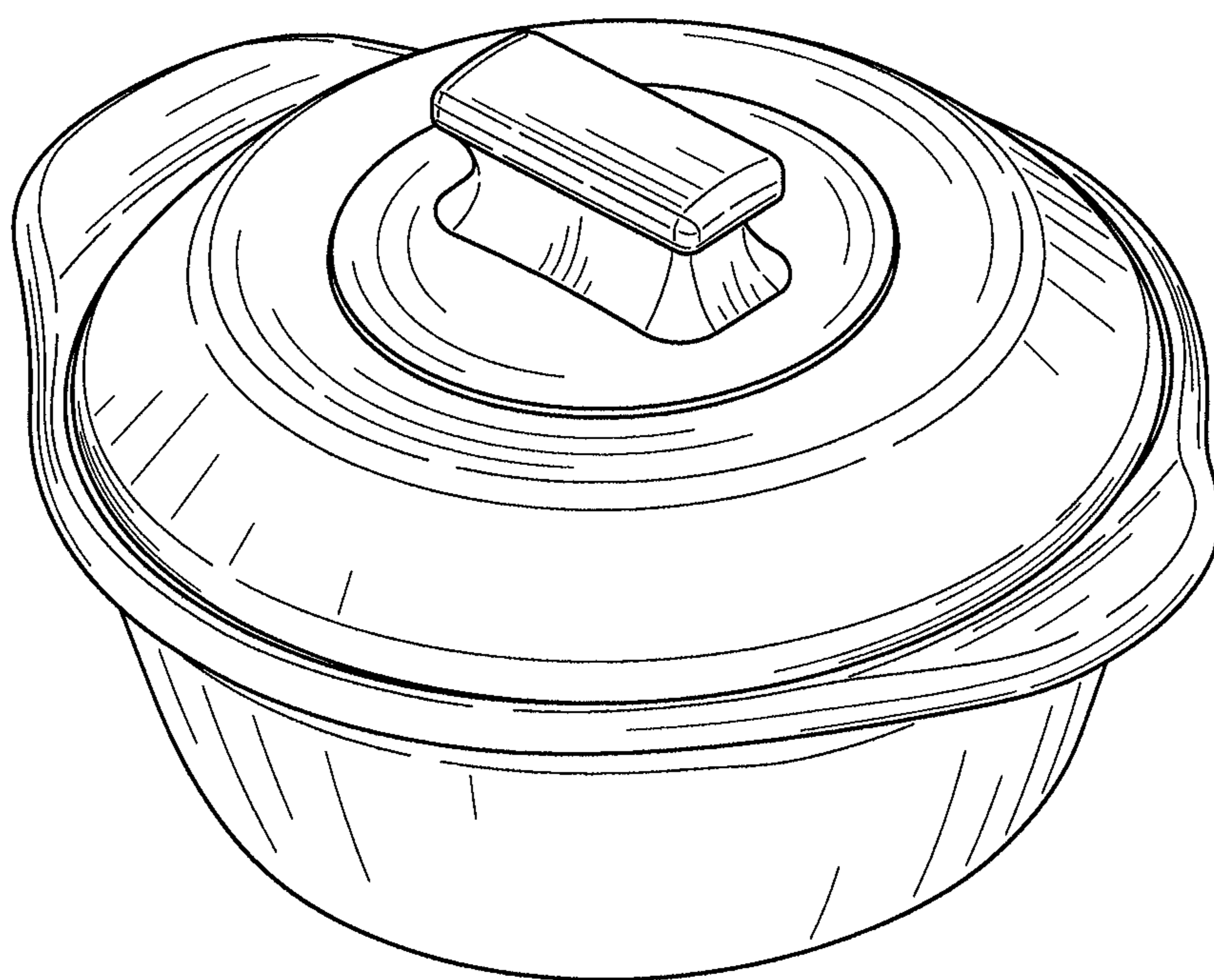


FIG. 1

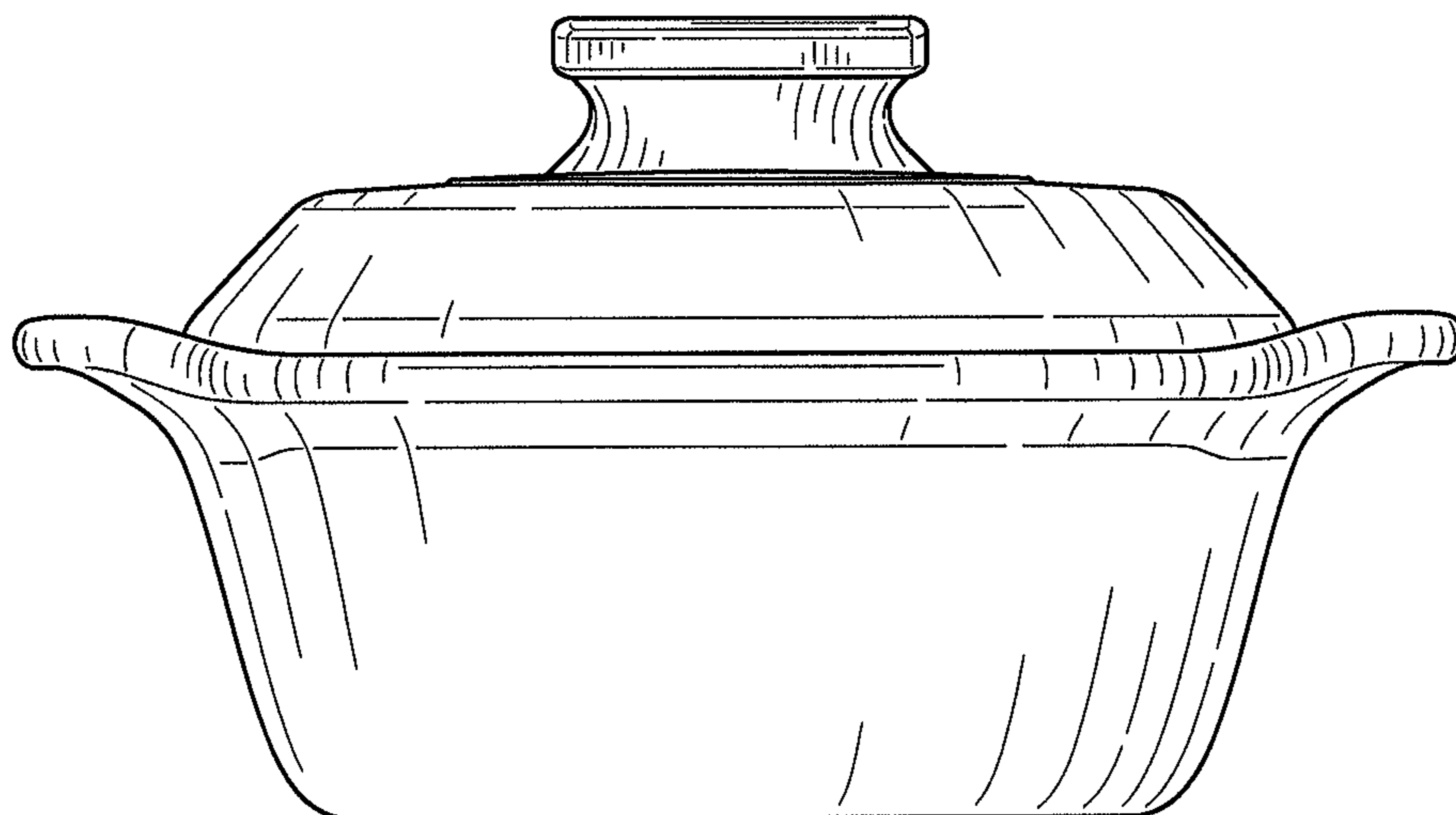


FIG. 2

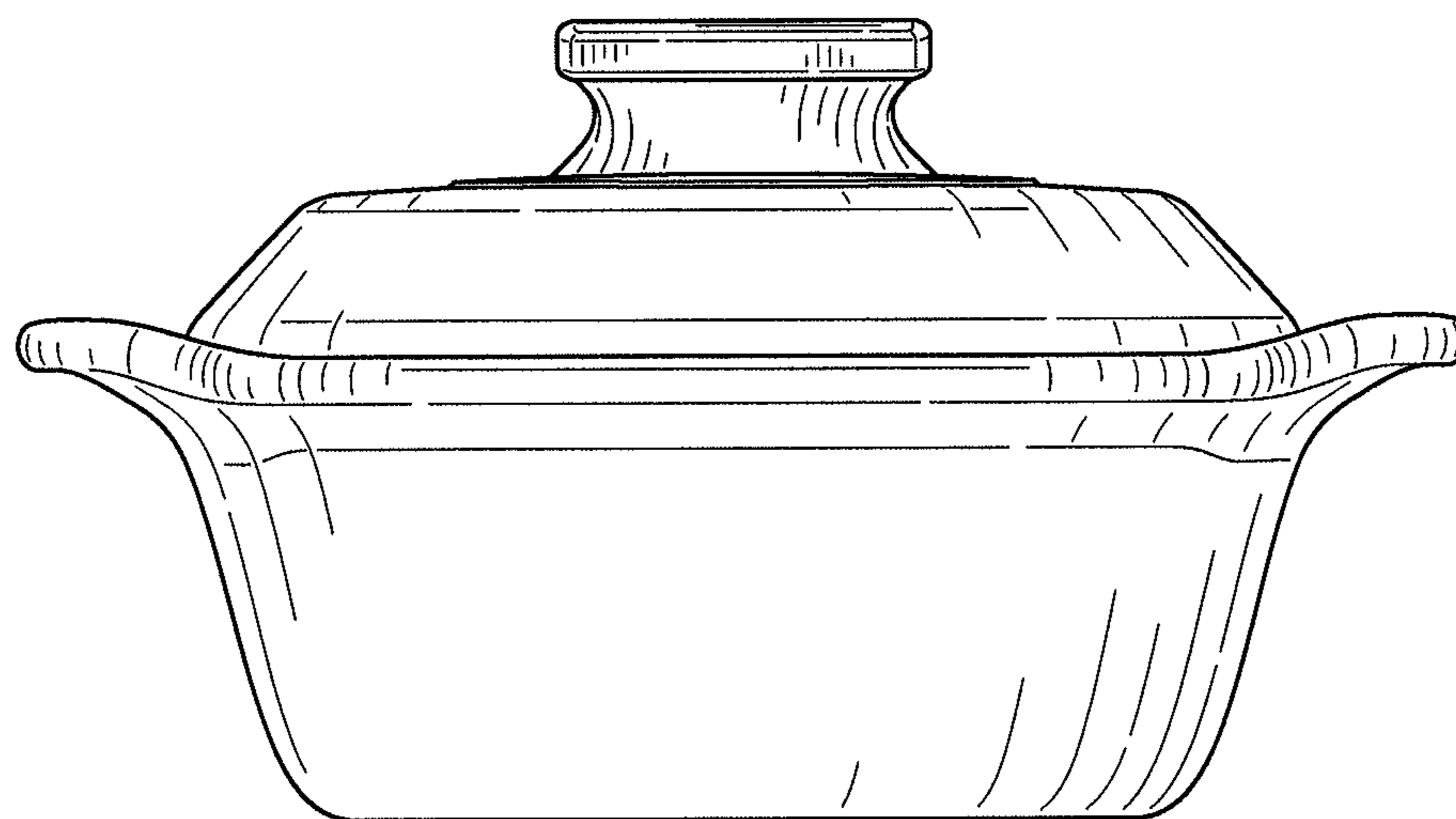


FIG. 3

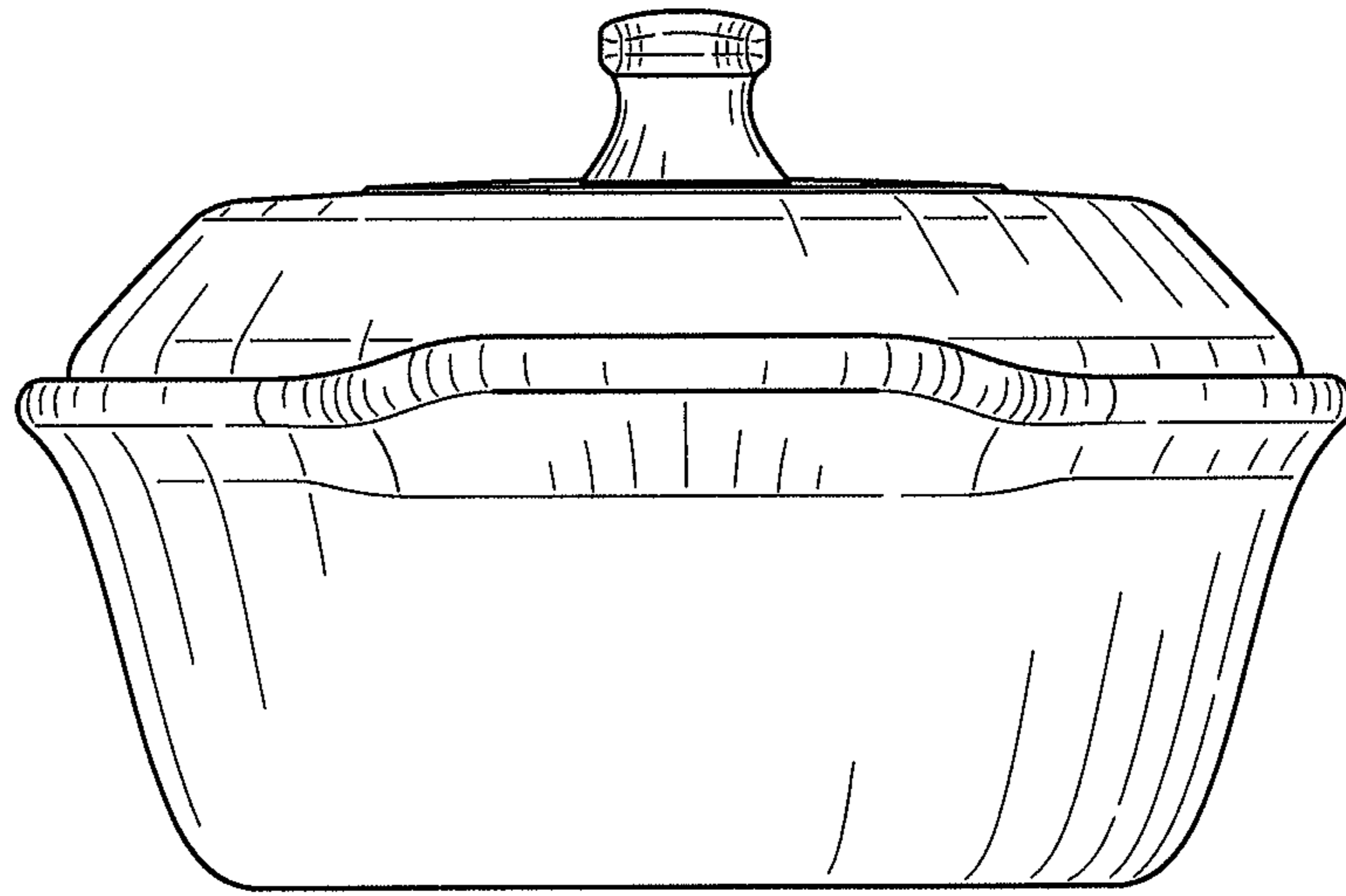


FIG. 4

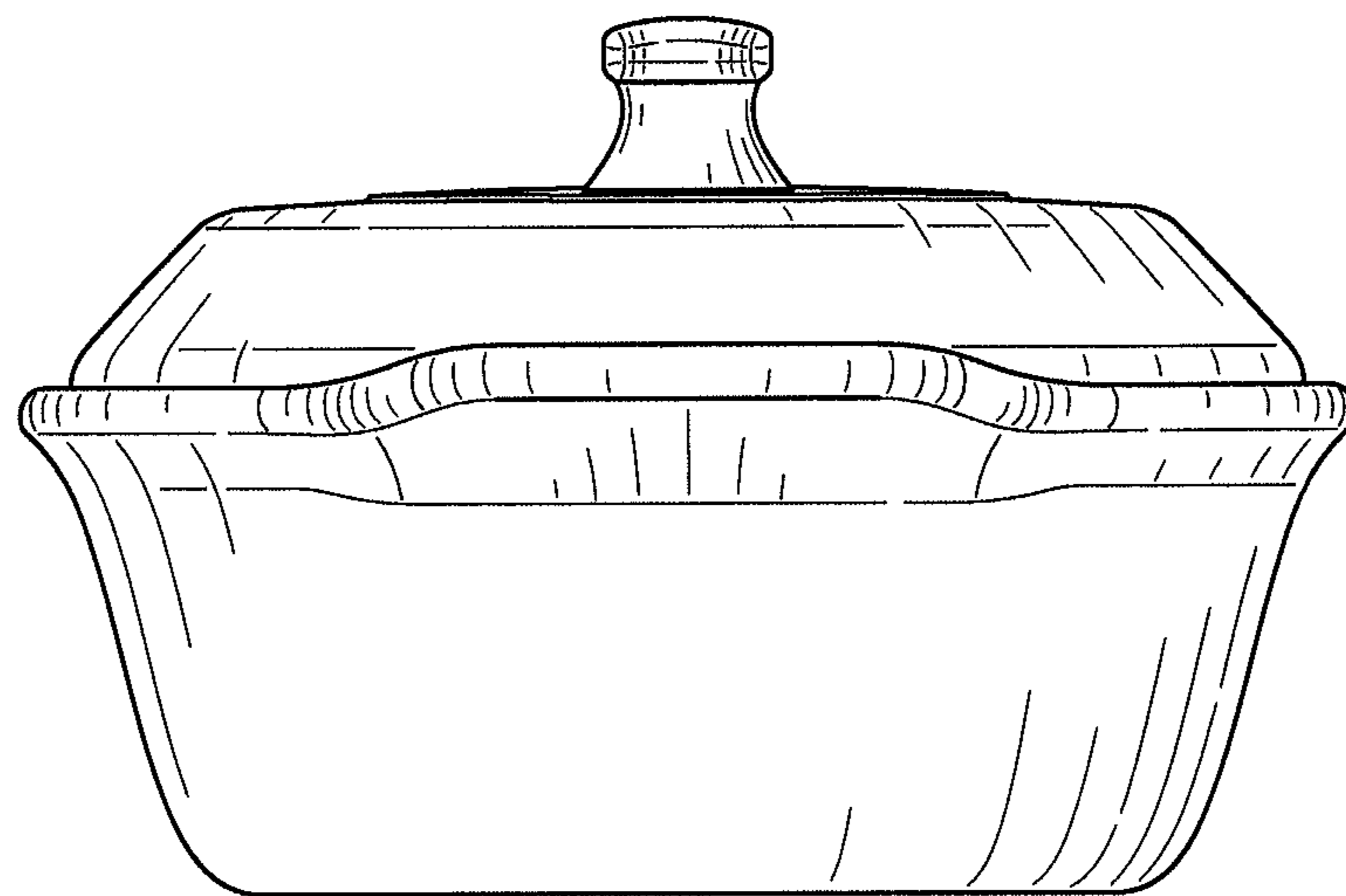


FIG. 5

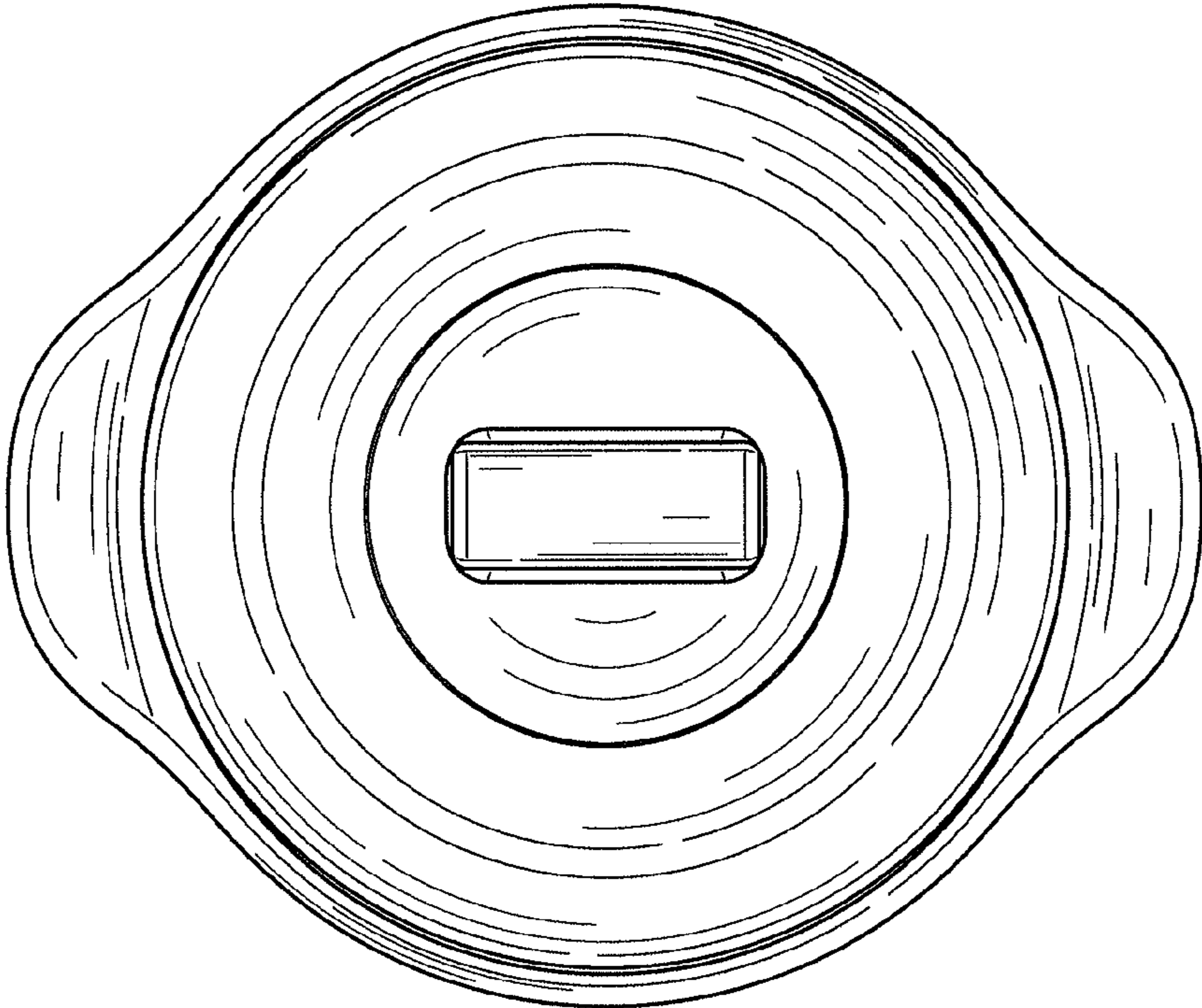


FIG. 6

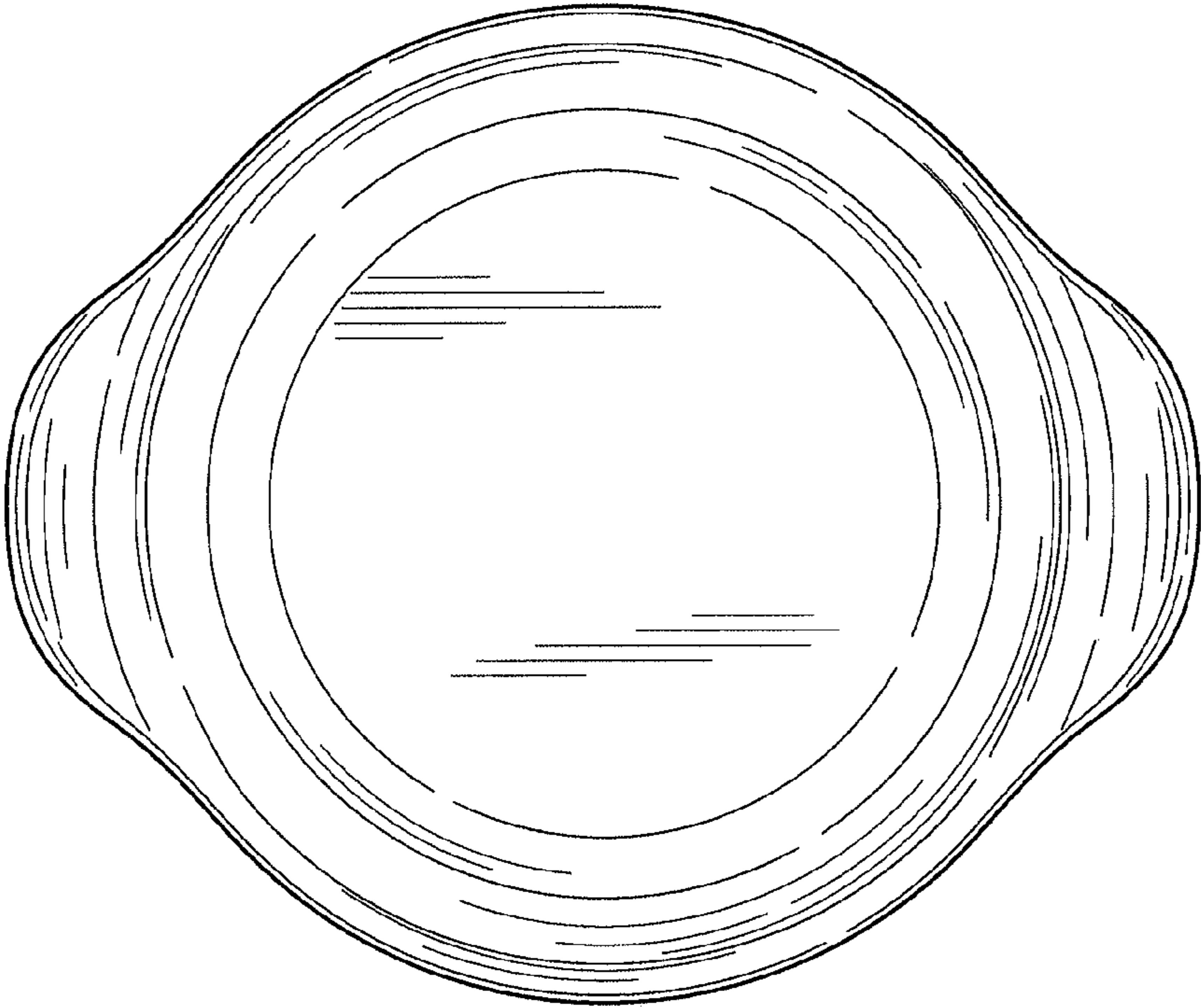


FIG. 7