



US00D683177S

(12) **United States Design Patent**  
**Brennan**

(10) **Patent No.:** **US D683,177 S**

(45) **Date of Patent:** **\*\* May 28, 2013**

(54) **GAS AND CERAMIC GRILL COMBINATION**

(76) **Inventor:** **Robert Anthony Brennan, Duluth, GA (US)**

(\*\*) **Term:** **14 Years**

(21) **Appl. No.:** **29/411,867**

(22) **Filed:** **Jan. 26, 2012**

(51) **LOC (9) Cl.** ..... **07-02**

(52) **U.S. Cl.**  
**USPC** ..... **D7/334**

(58) **Field of Classification Search**  
**USPC** ..... **D7/332, 334-337, 402-404, 406, D7/409; 126/25 R, 41 R, 38, 9 R, 9 A, 9 B, 126/40, 50, 37 R, 304 R, 305; 99/450, 481, 99/482; 248/163.1, 440.1, 188.1, 127; 108/157.13**

See application file for complete search history.

(56) **References Cited**

**U.S. PATENT DOCUMENTS**

5,027,788	A *	7/1991	Schlosser et al. ....	126/25 R
D327,390	S *	6/1992	Schlosser et al. ....	D7/334
5,638,808	A *	6/1997	Home .....	126/41 R
D381,240	S *	7/1997	Home .....	D7/334
D423,274	S *	4/2000	Coleman et al. ....	D7/334
D426,741	S *	6/2000	Pai .....	D7/334
D455,039	S *	4/2002	Pai .....	D7/334
D470,357	S *	2/2003	Home .....	D7/334

D472,756	S *	4/2003	Pai .....	D7/334
D475,235	S *	6/2003	Home .....	D7/334
D476,188	S *	6/2003	Wood .....	D7/334
D488,022	S *	4/2004	Chan et al. ....	D7/334
D528,850	S *	9/2006	Chung .....	D7/334
D582,715	S *	12/2008	Pai .....	D7/334
D618,952	S *	7/2010	Chung .....	D7/334
D621,201	S *	8/2010	Proffitt et al. ....	D7/334
D671,788	S *	12/2012	Slater .....	D7/334

\* cited by examiner

*Primary Examiner* — Ruth McInroy

(74) *Attorney, Agent, or Firm* — Crose Law LLC; Bradley D. Crose

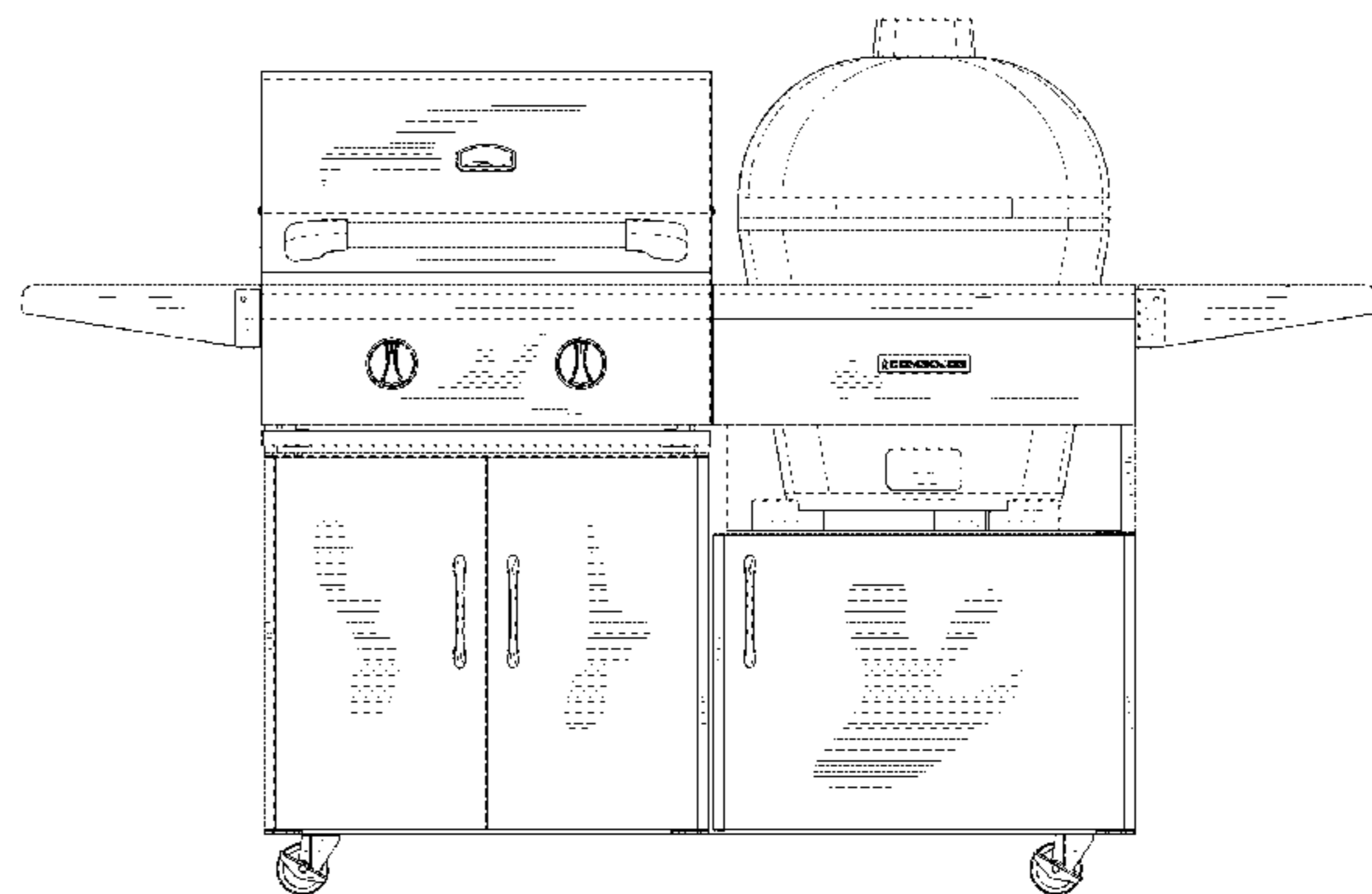
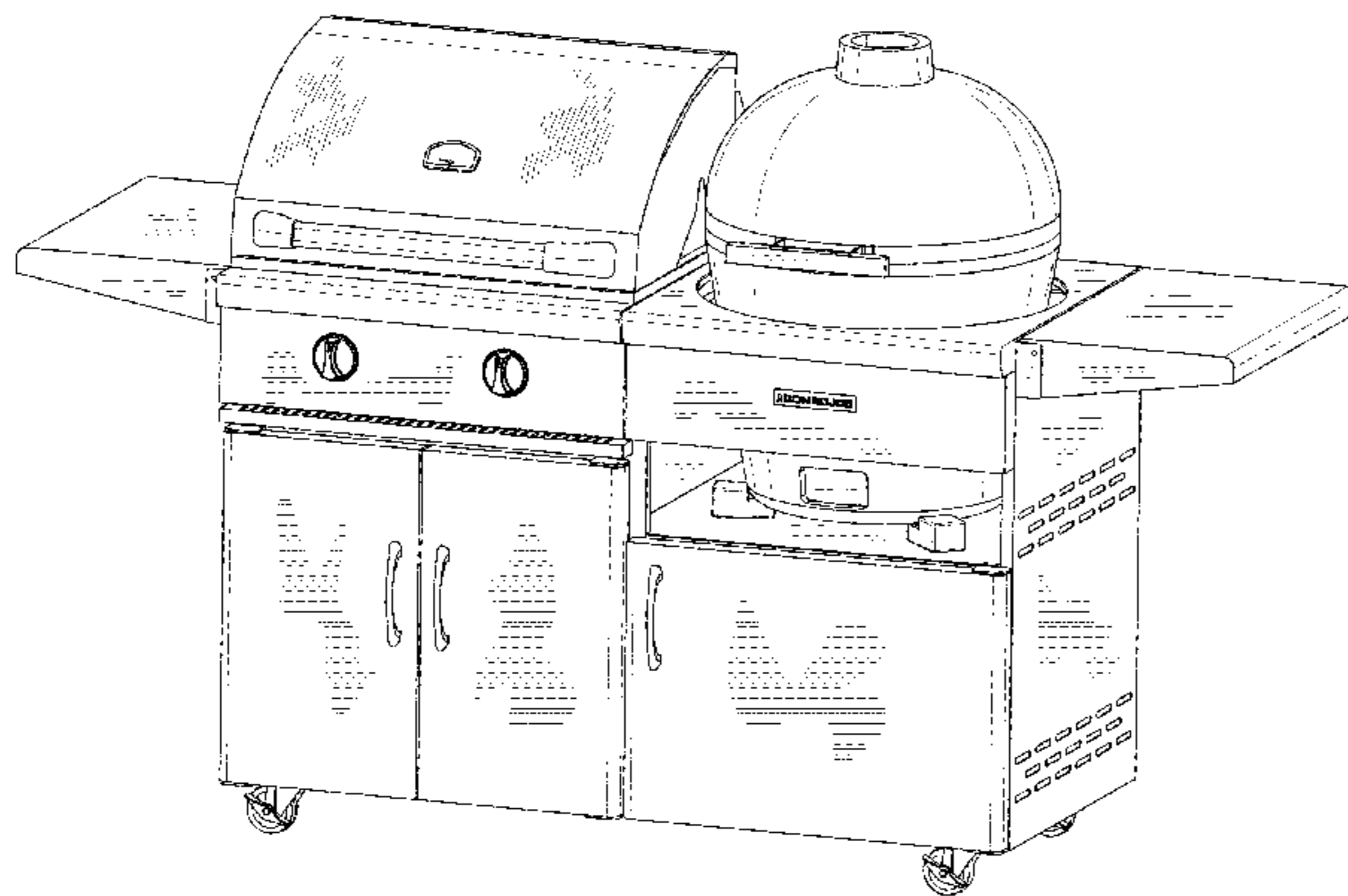
(57) **CLAIM**

The ornamental design for a gas and ceramic grill combination, as shown and described.

**DESCRIPTION**

FIG. 1 is a perspective view of a gas and ceramic grill combination, showing my new design; FIG. 2 is a front elevation view thereof; FIG. 3 is a rear elevation view thereof; FIG. 4 is a right side elevation view thereof; FIG. 5 is a left side elevation view thereof; FIG. 6 is a top plan view thereof; and, FIG. 7 is a bottom plan view thereof.

**1 Claim, 7 Drawing Sheets**



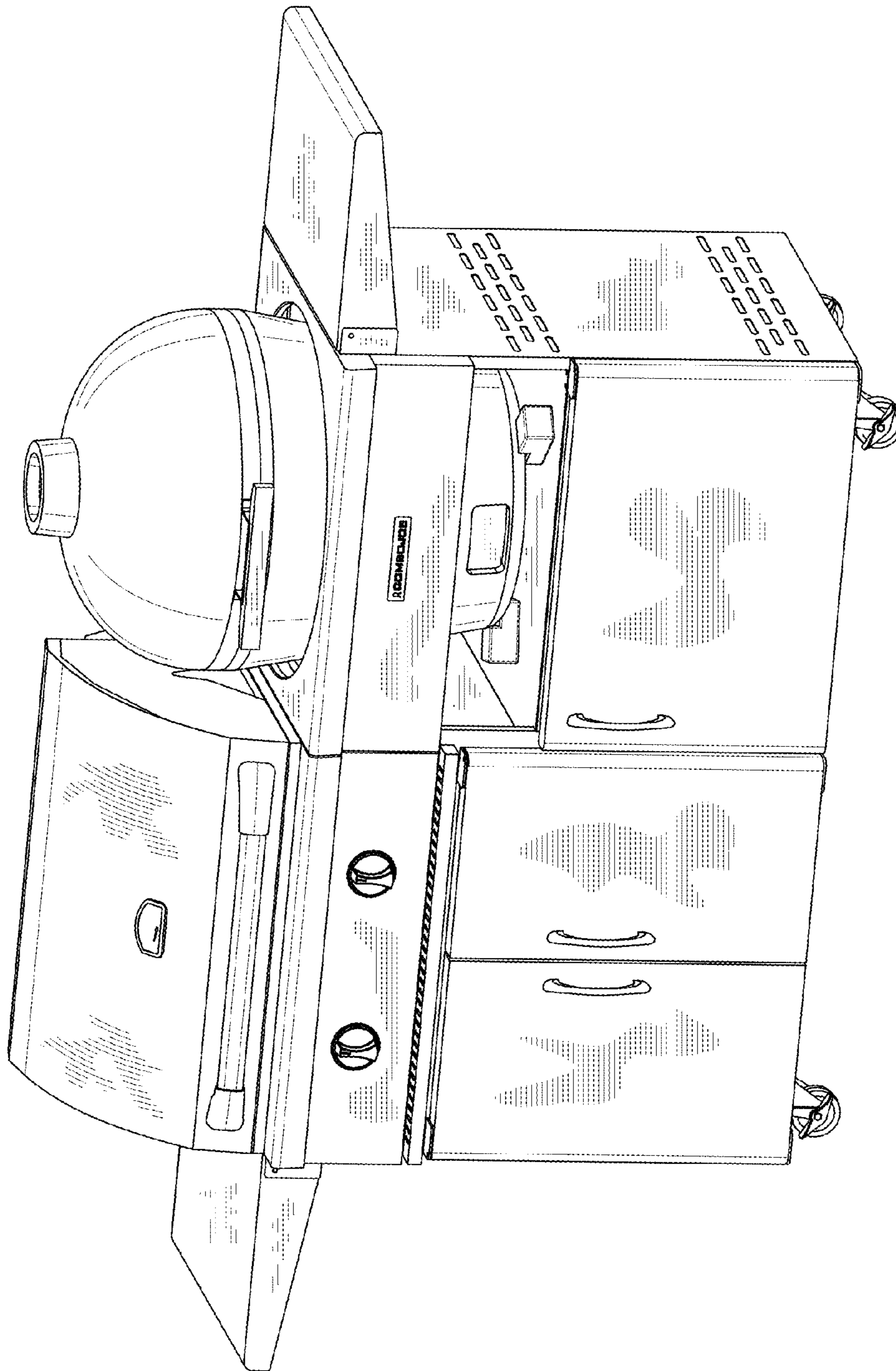


FIG. 1

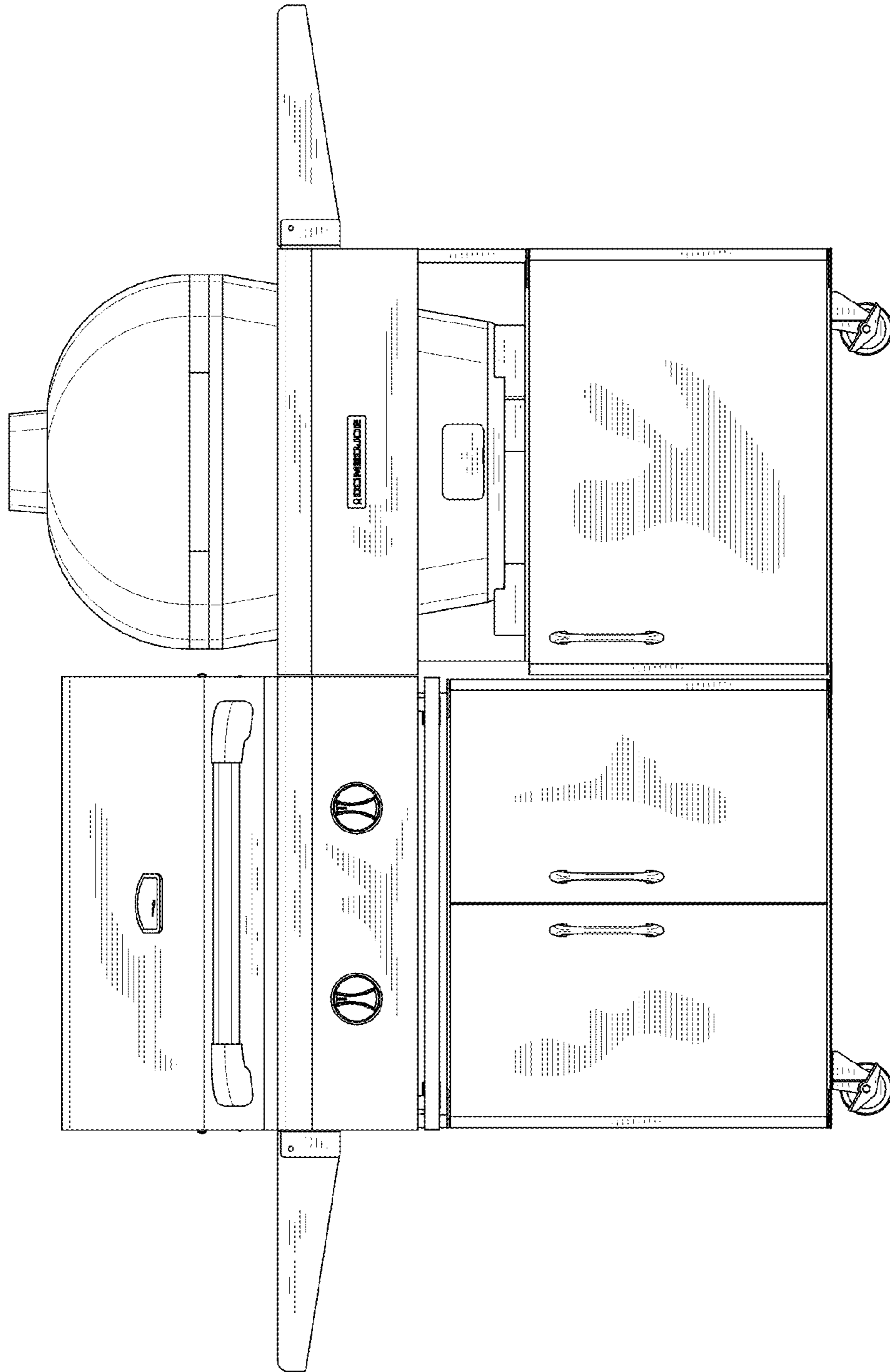


FIG. 2

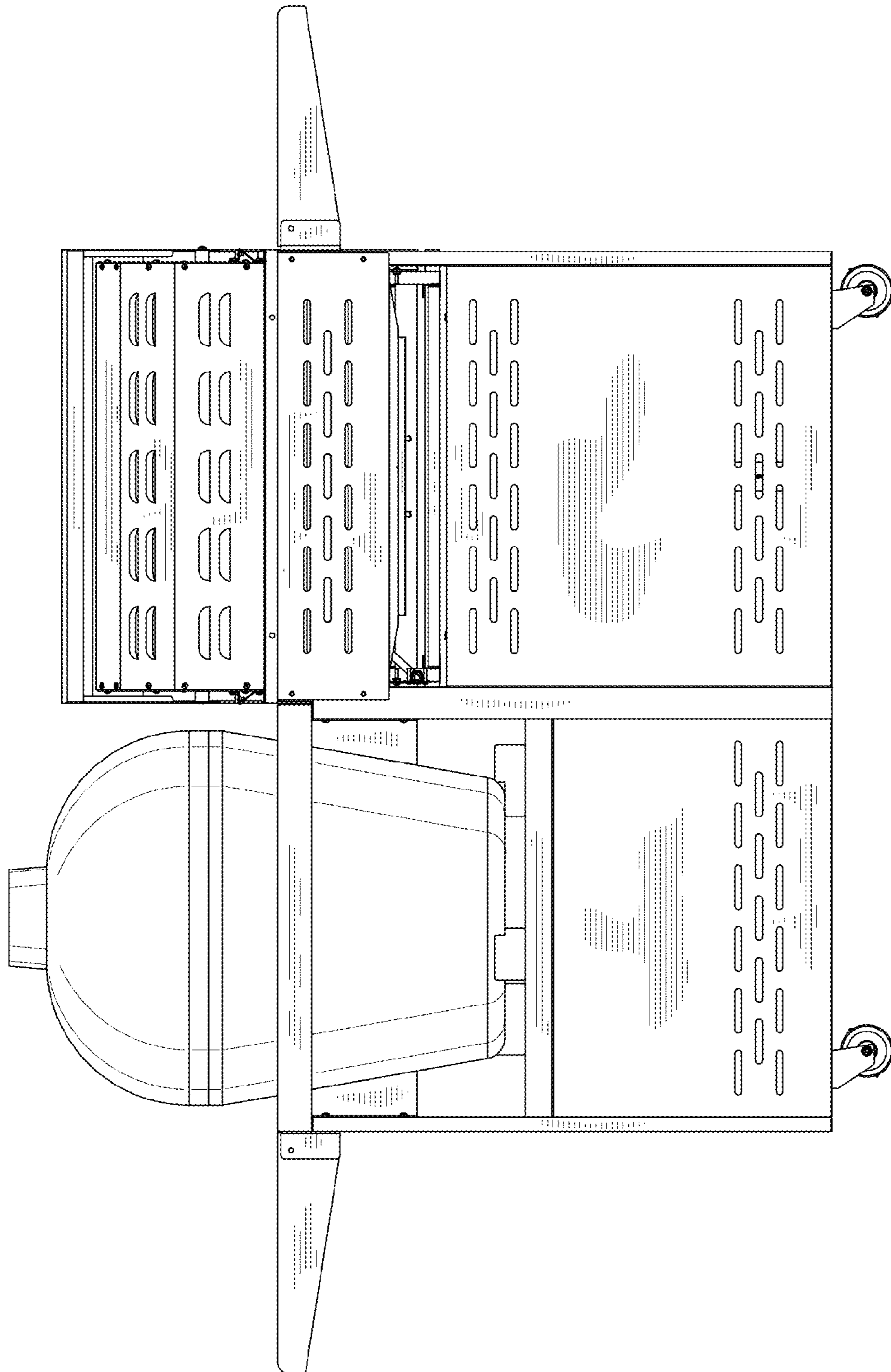


FIG. 3

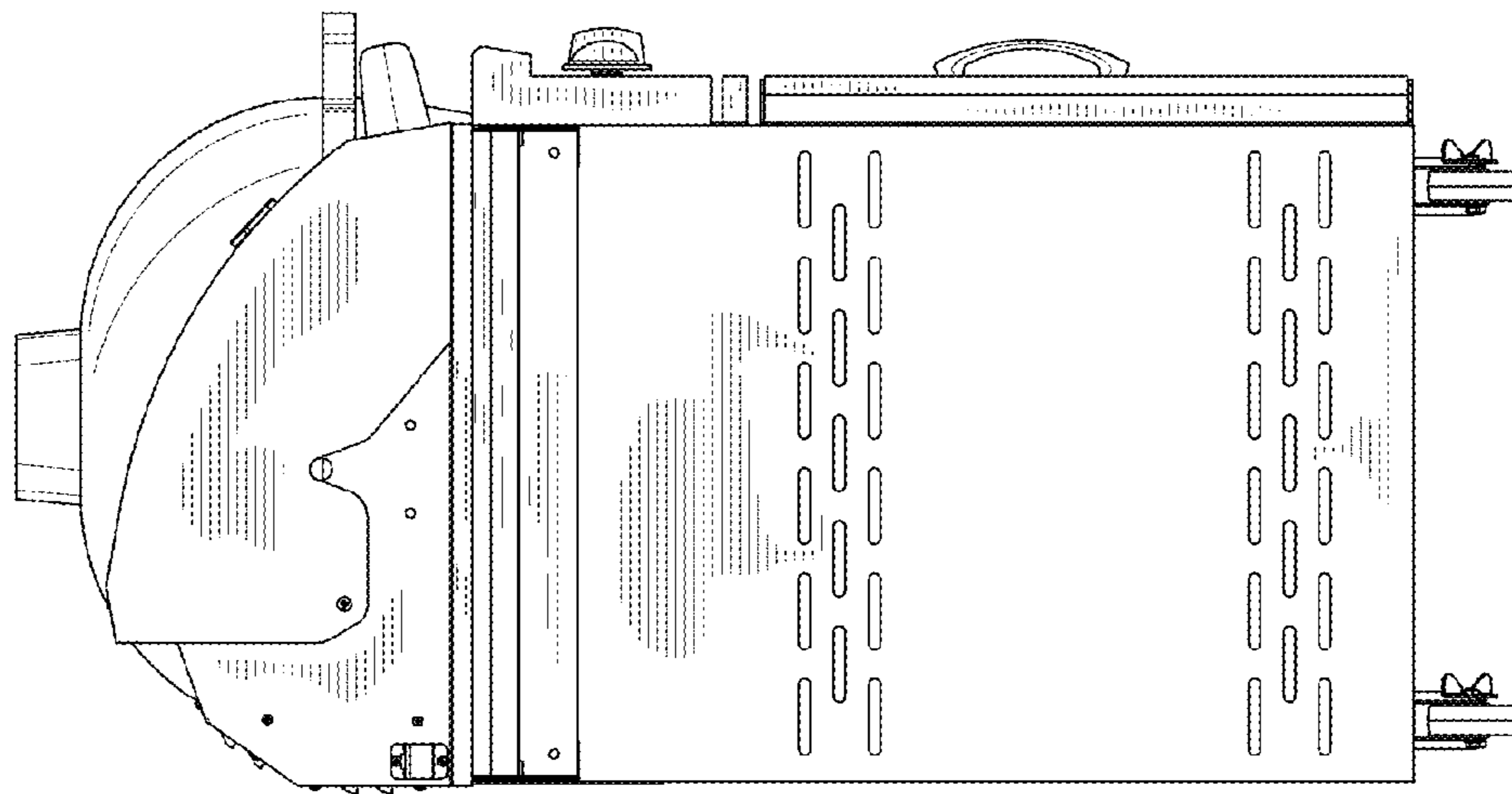


FIG. 4

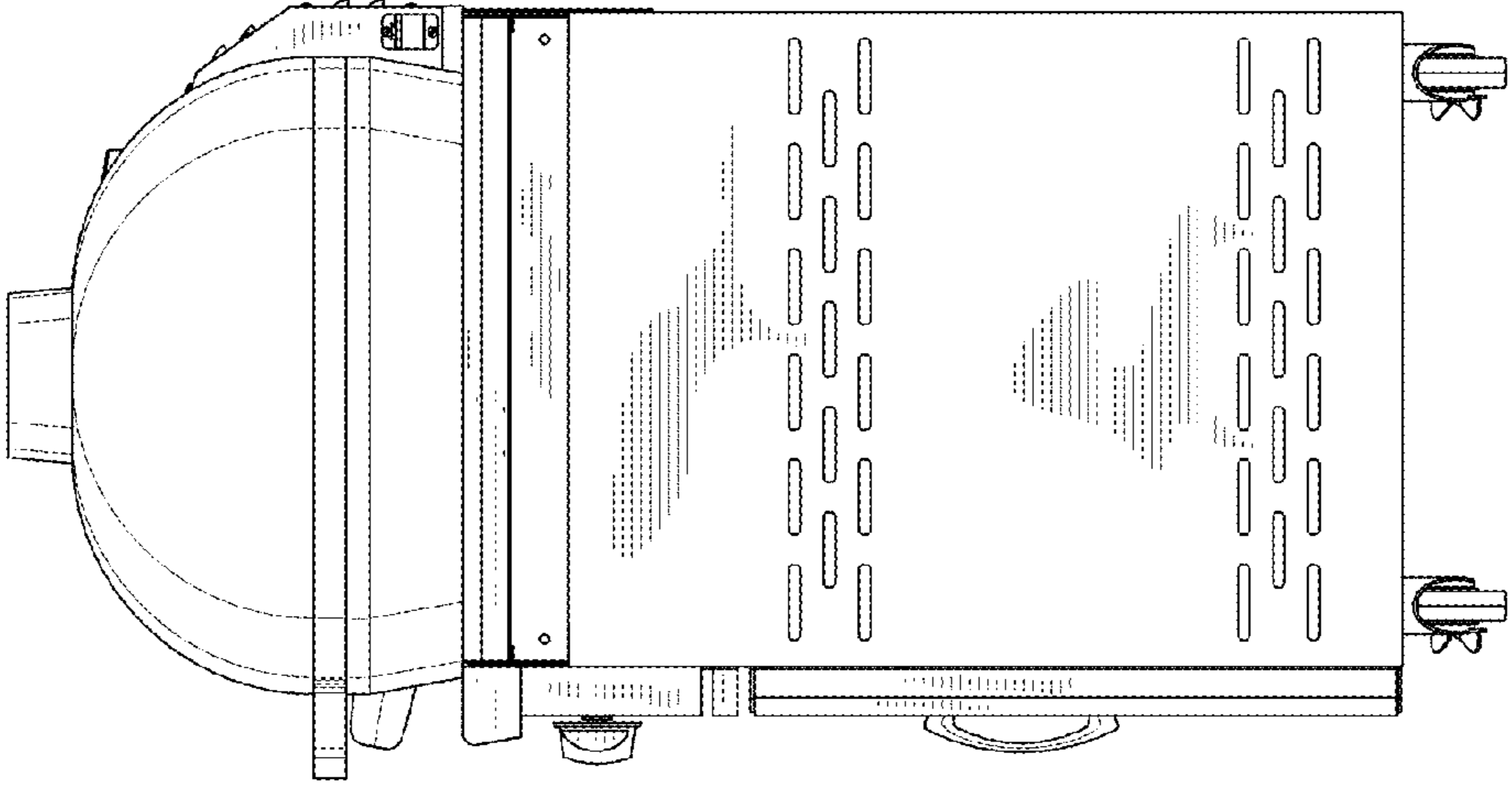


FIG. 5

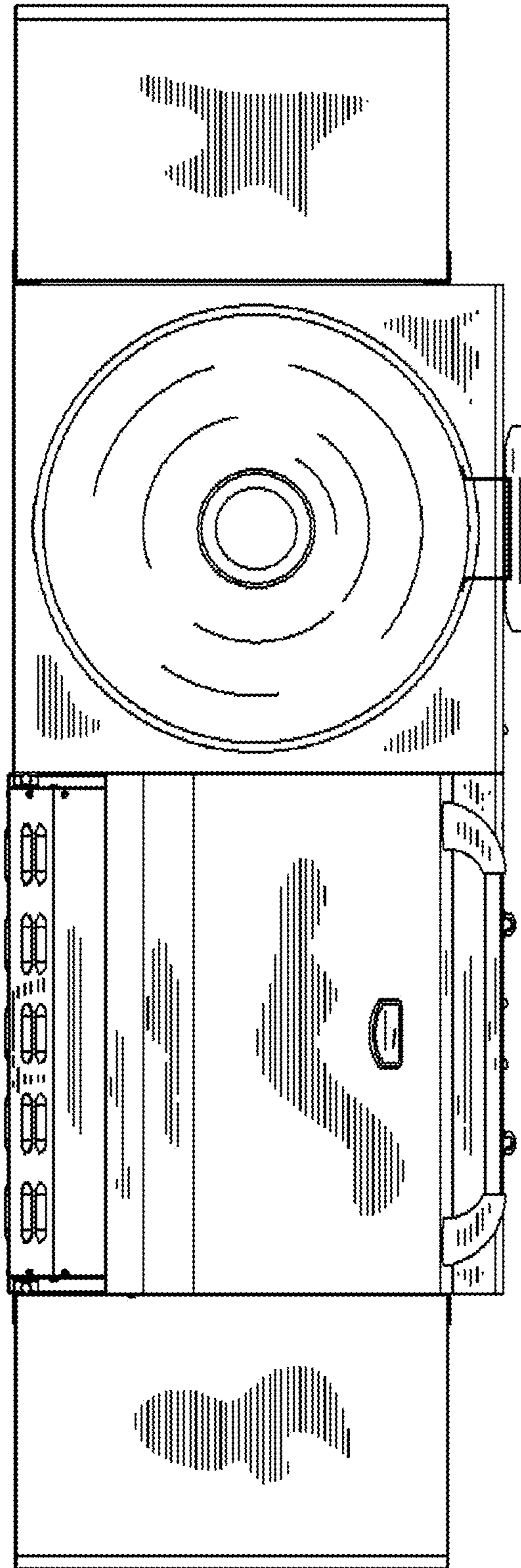


FIG. 6

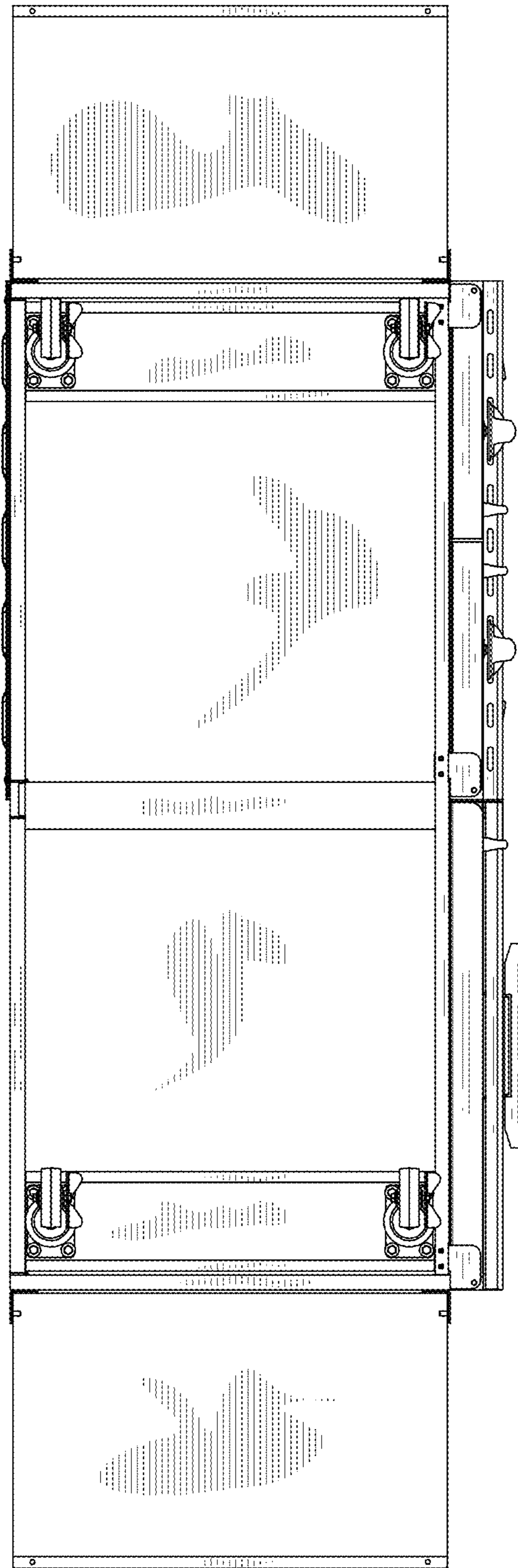


FIG. 7