



US00D683176S

(12) **United States Design Patent**
Kuzmin et al.

(10) **Patent No.:** **US D683,176 S**

(45) **Date of Patent:** **** May 28, 2013**

(54) **CONTAINER OF A LIQUID FILTRATION DEVICE**

FOREIGN PATENT DOCUMENTS

DE 49909318.6 1/2000
RU 50975 9/2002

(76) Inventors: **Alexey Leonidovich Kuzmin**, St. Petersburg (RU); **Joseph Lvovich Shmidt**, New York, NY (US)

* cited by examiner

(**) Term: **14 Years**

Primary Examiner — Marianne Pandozzi

(21) Appl. No.: **29/396,070**

(74) *Attorney, Agent, or Firm* — SciTech Legal, P.C.; Yakov M. Korkhin, Esq.

(22) Filed: **Jun. 24, 2011**

(57) **CLAIM**

(51) **LOC (9) Cl.** **07-01**

The ornamental design for a container of a liquid filtration device, as shown and described.

(52) **U.S. Cl.**

USPC **D7/319**

(58) **Field of Classification Search** D7/376,

D7/316–319, 600, 598; 99/286, 293, 453; D10/46.2; D23/207, 209; D15/147

See application file for complete search history.

DESCRIPTION

(56) **References Cited**

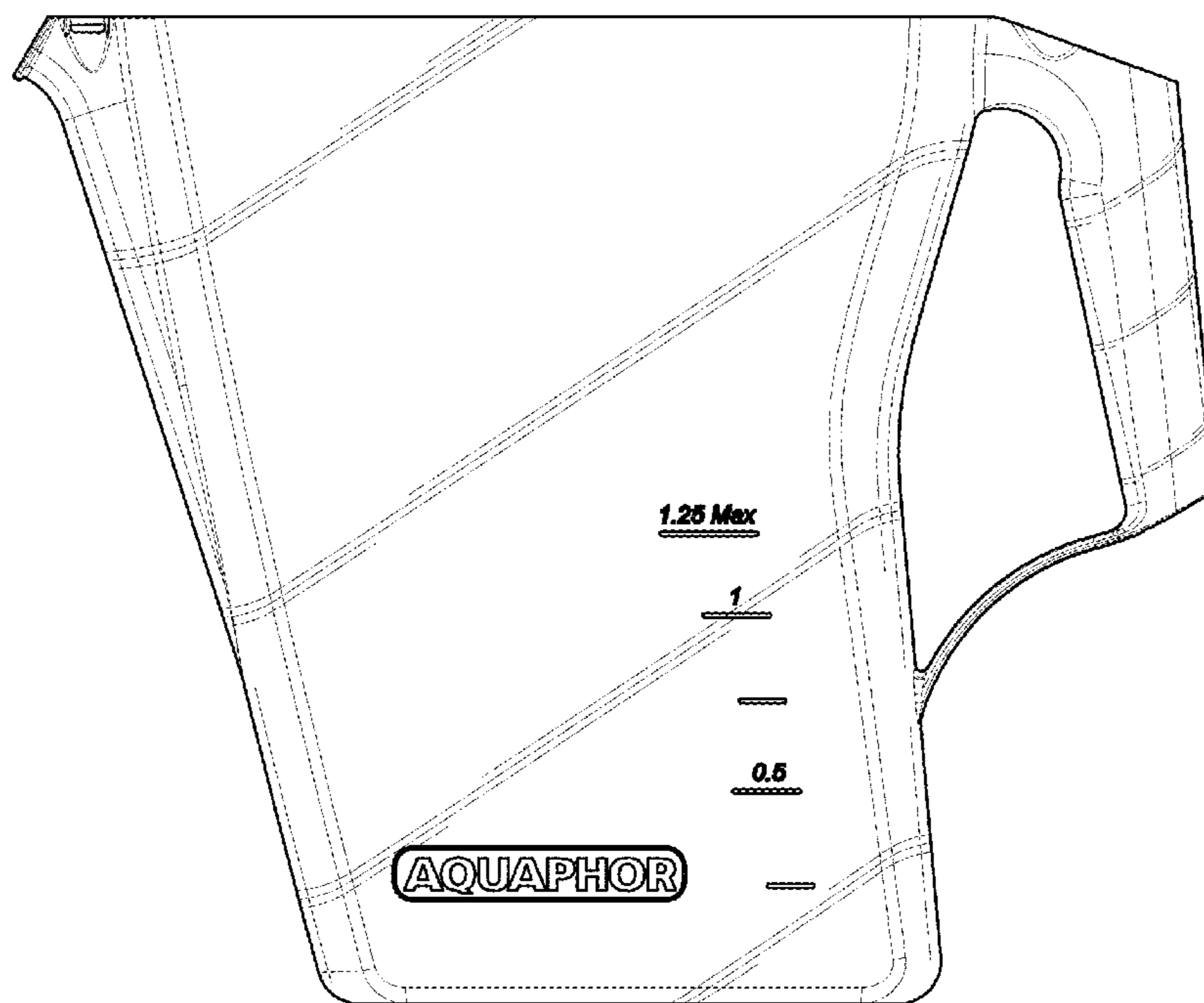
U.S. PATENT DOCUMENTS

D173,455	S	*	11/1954	Reinecke et al.	D7/317
D217,178	S	*	4/1970	Crider	D7/317
D299,607	S	*	1/1989	Ryan	D10/46.2
5,054,661	A	*	10/1991	Hollje	222/465.1
D328,492	S	*	8/1992	Mathis	D24/121
5,637,214	A	*	6/1997	Kahana	210/282
D388,654	S	*	1/1998	Bouhuys	D7/319
D406,003	S	*	2/1999	Tanner et al.	D7/319
D418,714	S	*	1/2000	Fox et al.	D7/319
6,103,114	A	*	8/2000	Tanner et al.	210/232
D552,916	S	*	10/2007	Bodum	D7/318
D573,394	S	*	7/2008	Tullney et al.	D7/317

FIG. 1 is a left rear perspective view of a container of a liquid filtration device of the present invention; FIG. 2 is a left side view thereof; FIG. 3 is a front view thereof; FIG. 4 is a rear view thereof; FIG. 5 is a bottom plan view thereof; and, FIG. 6 is a top plan view thereof.

The claimed container for a liquid filtration device is a pitcher for use in constructing portable, table-top devices for liquid filtration, including water, with a removable cartridge. The broken lines showing environmental structure is for illustrative purposes only and form no part of the claimed design. "Aquaphor" forming a part of the claimed design is a registered trademark (US Reg. No. 2565363) of Electrophor Inc., a New York corporation.

1 Claim, 6 Drawing Sheets



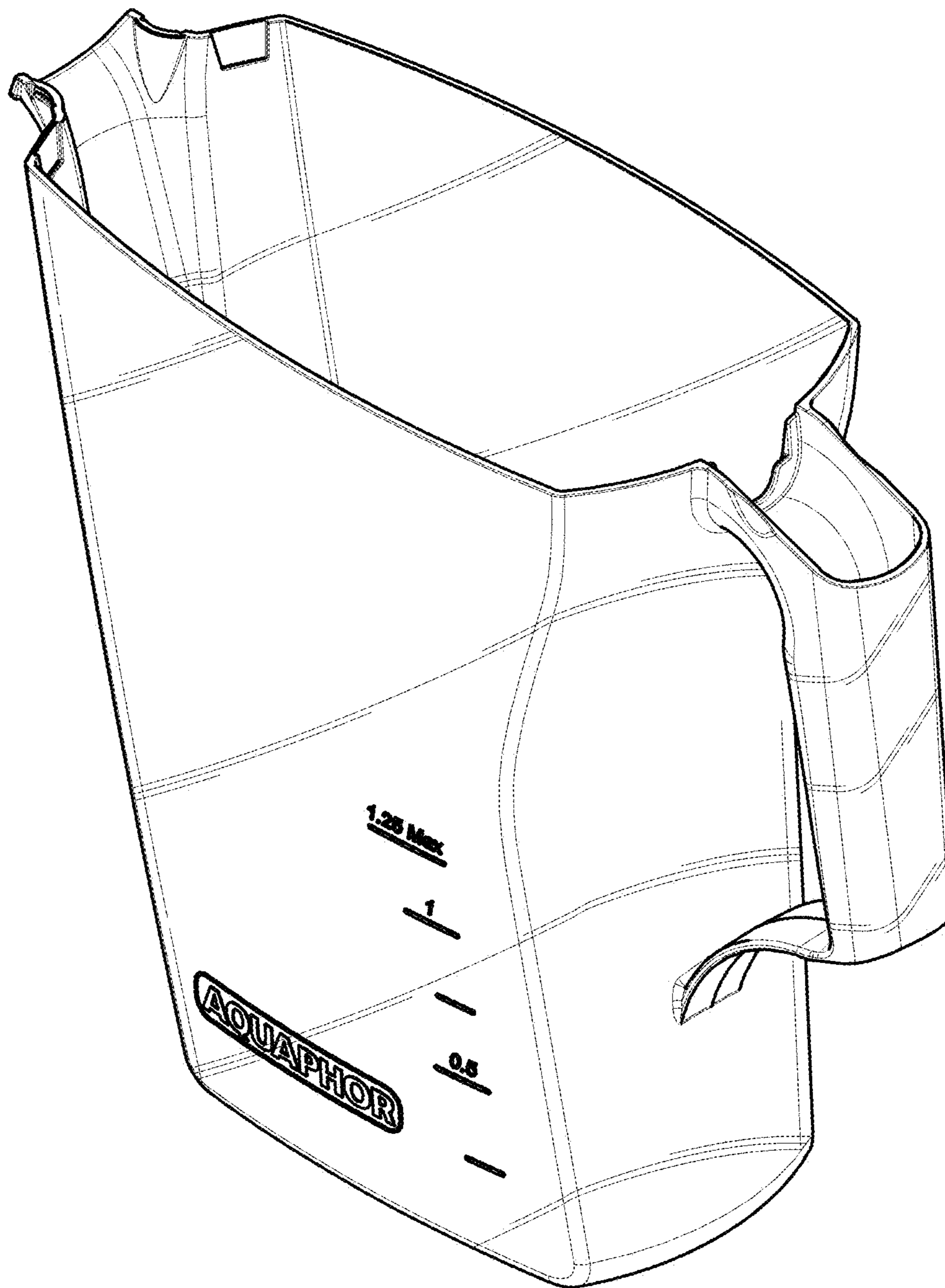


FIG. 1

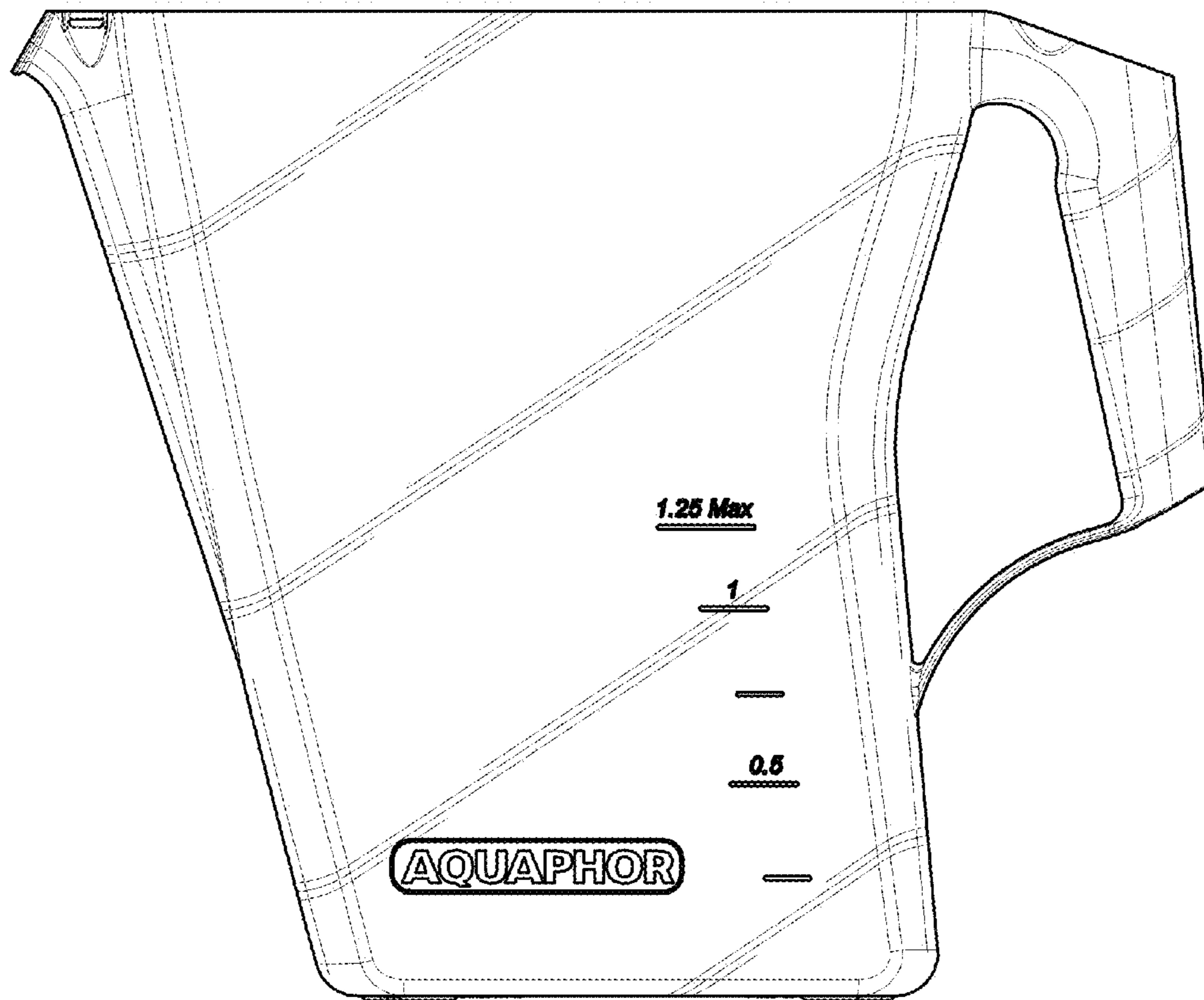


FIG. 2

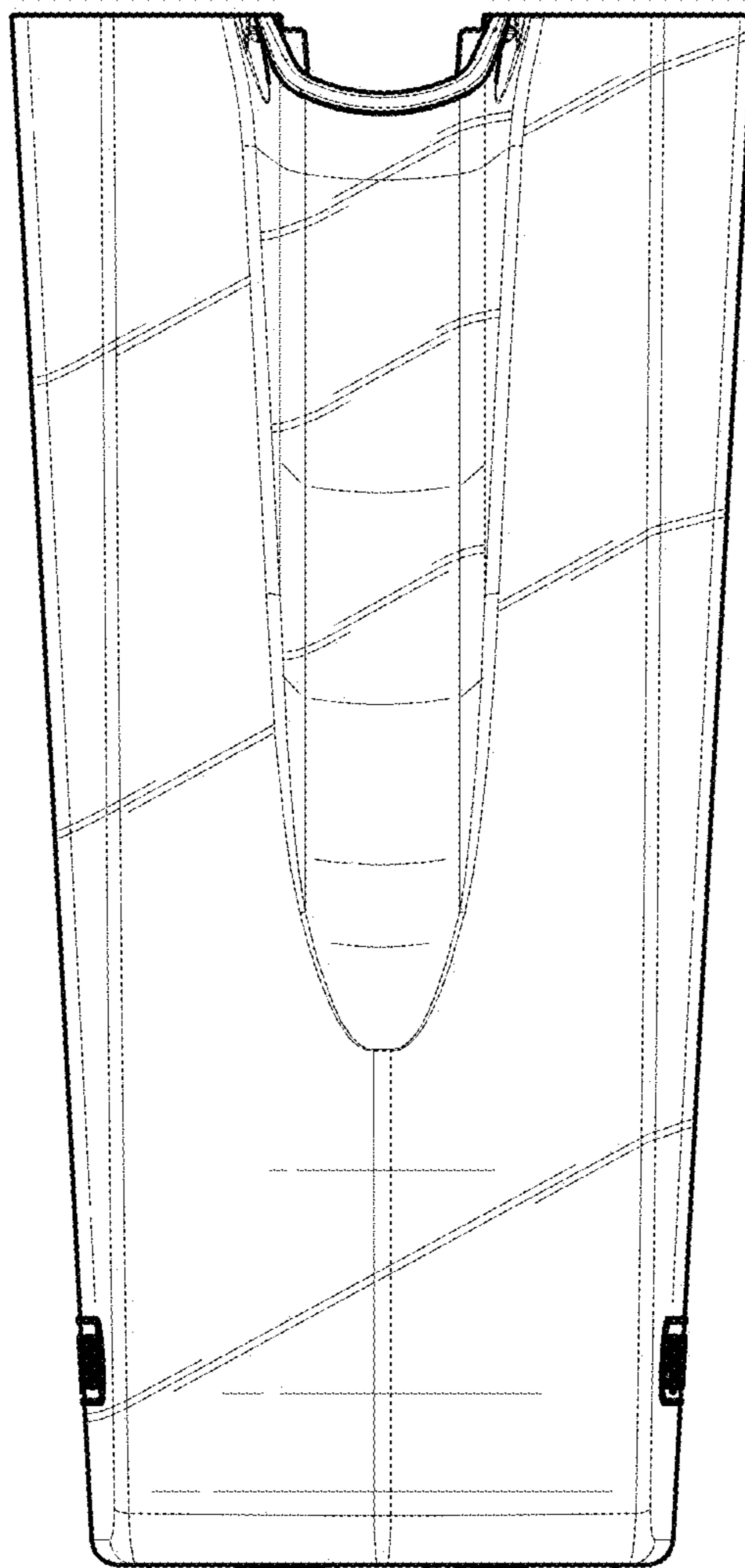


FIG. 3

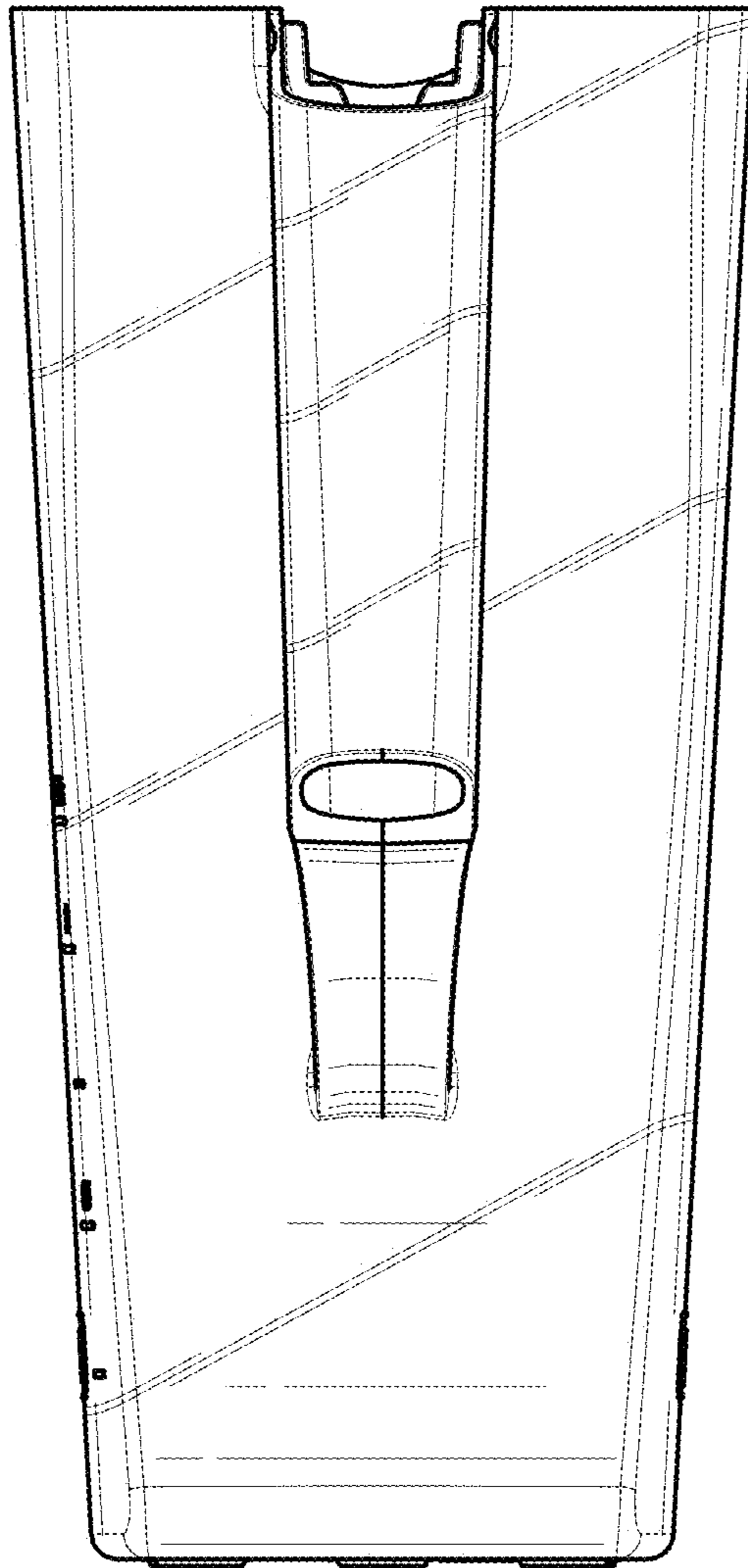


FIG. 4

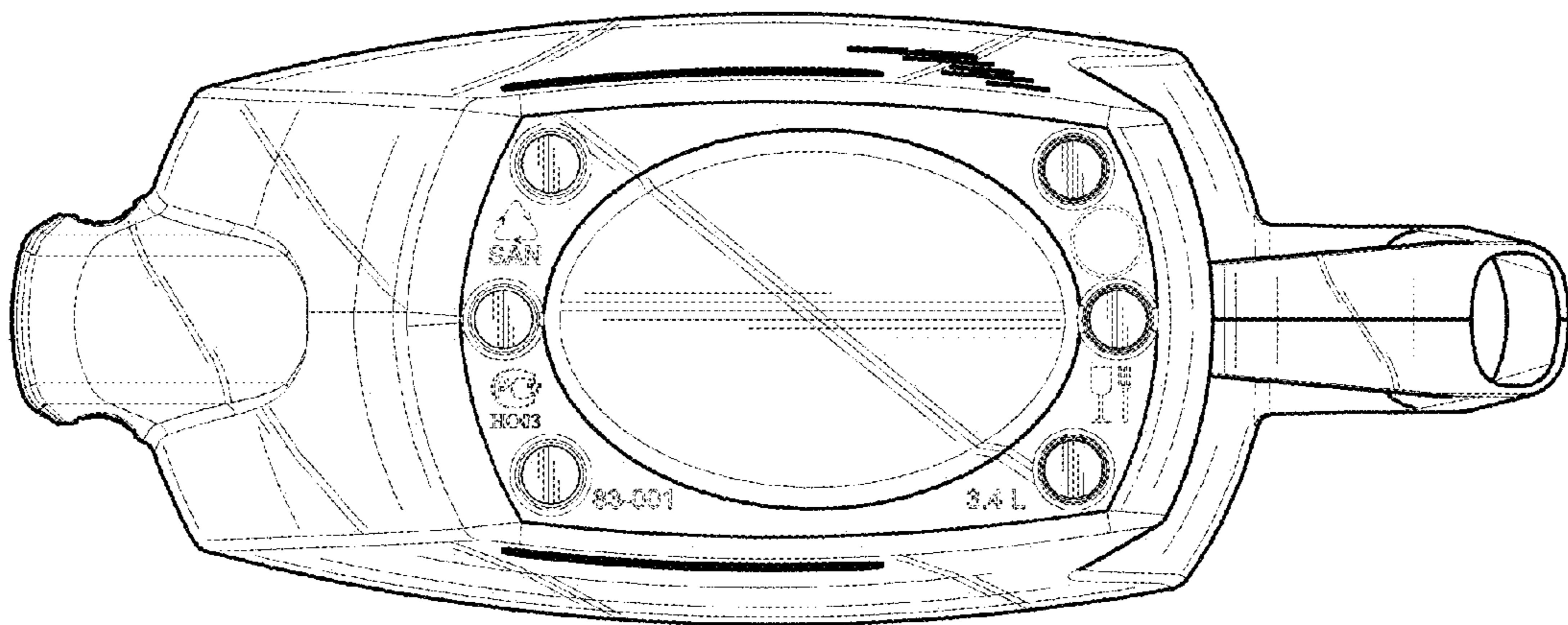


FIG. 5

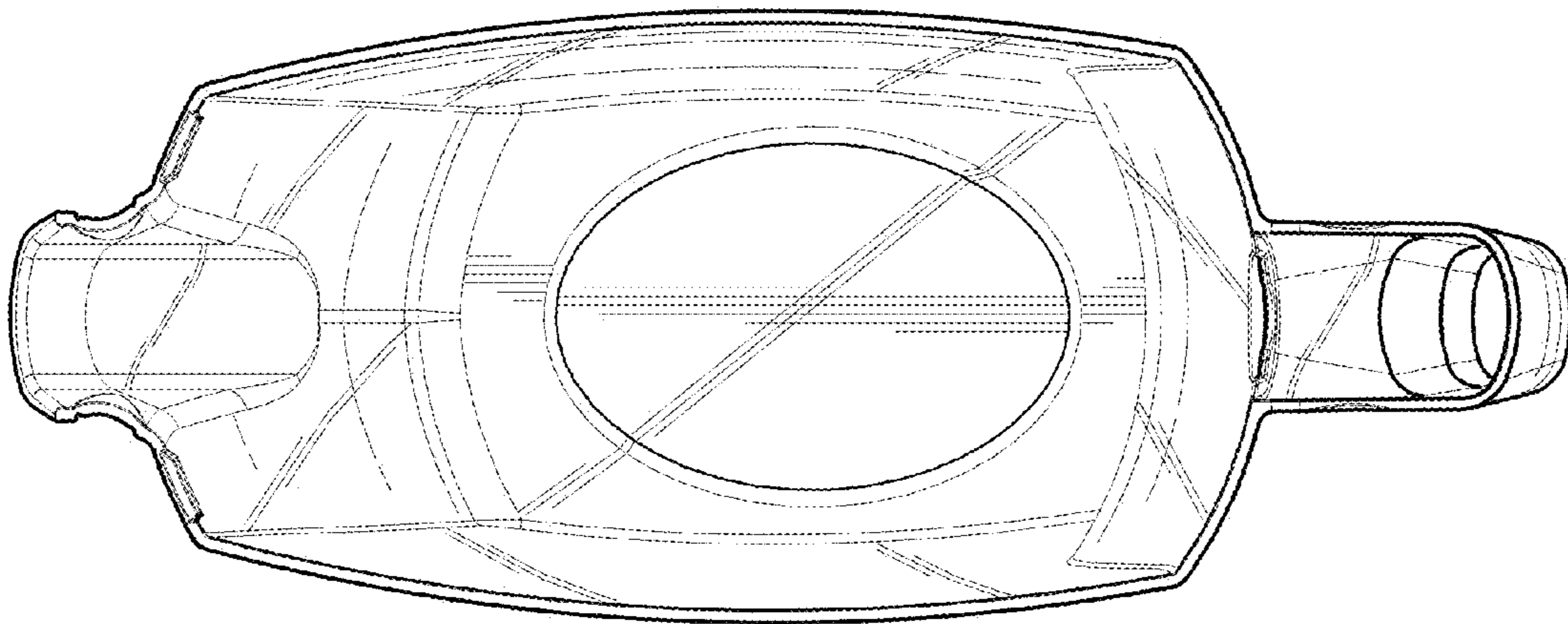


FIG. 6