



US00D683175S

(12) **United States Design Patent**
Adams

(10) **Patent No.:** **US D683,175 S**
(45) **Date of Patent:** **** May 28, 2013**

- (54) **WATER PITCHER BASE AND LID**
- (75) Inventor: **Chuck Adams**, Naperville, IL (US)
- (73) Assignee: **Medical Action Industries, Inc.**,
Brentwood, NY (US)
- (**) Term: **14 Years**
- (21) Appl. No.: **29/380,182**
- (22) Filed: **Dec. 1, 2010**
- (51) **LOC (9) Cl.** **07-01**
- (52) **U.S. Cl.**
USPC **D7/318; D7/312**
- (58) **Field of Classification Search** D7/600,
D7/589, 317, 318, 319, 312, 321, 322; 215/12.1;
222/131, 465.1; D24/121, 224
See application file for complete search history.

D395,784 S *	7/1998	Michaeli	D7/319
D398,474 S *	9/1998	Wagner	D7/305
D492,879 S *	7/2004	Allemand	D7/318
6,792,848 B1 *	9/2004	Janky	99/285
D501,624 S *	2/2005	Kaposi	D7/318
D507,449 S *	7/2005	Burton et al.	D7/309
D542,077 S *	5/2007	Claypool et al.	D7/318
D551,015 S *	9/2007	Huang	D7/318
D584,912 S *	1/2009	Green et al.	D7/318
D607,684 S *	1/2010	Elissen	D7/318
D613,988 S *	4/2010	Lane et al.	D7/317
D625,947 S *	10/2010	Olson et al.	D7/319
D630,463 S *	1/2011	Picozza et al.	D7/318

* cited by examiner

Primary Examiner — Marianne Pandozzi

(74) *Attorney, Agent, or Firm* — Vinson & Elkins L.L.P.

(57) **CLAIM**

The ornamental design for a water pitcher base and lid, as shown and described.

DESCRIPTION

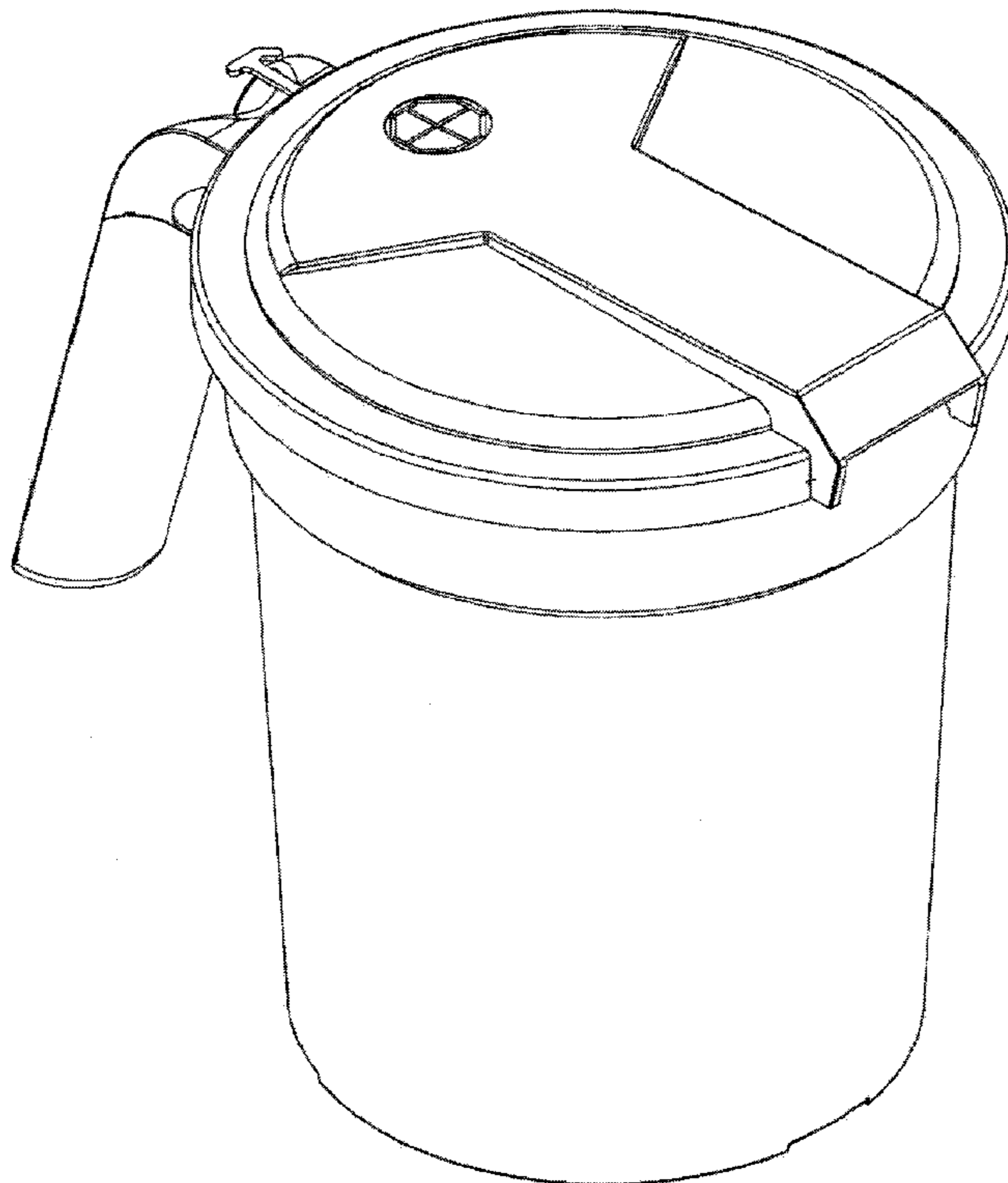
FIG. 1 is a left front perspective view of a water pitcher base and lid of the inventive design;
 FIG. 2 is a front elevational view thereof;
 FIG. 3 is a rear elevational view thereof;
 FIG. 4 is a left side elevational view thereof, which is a mirror image of the right side elevational view thereof;
 FIG. 5 is a top view thereof; and,
 FIG. 6 is a bottom view thereof.

1 Claim, 6 Drawing Sheets

(56) **References Cited**

U.S. PATENT DOCUMENTS

1,389,732 A *	9/1921	Baron	215/235
3,861,565 A *	1/1975	Rickmeier, Jr.	222/131
D252,604 S *	8/1979	Harris	D7/317
D258,712 S *	3/1981	Jacobson	D7/317
D270,602 S *	9/1983	Fritz	D7/319
4,655,373 A *	4/1987	Essen	222/465.1
D338,367 S *	8/1993	Fonville	D7/317
D370,832 S *	6/1996	Sorensen et al.	D7/589
D376,065 S *	12/1996	Ito et al.	D7/319



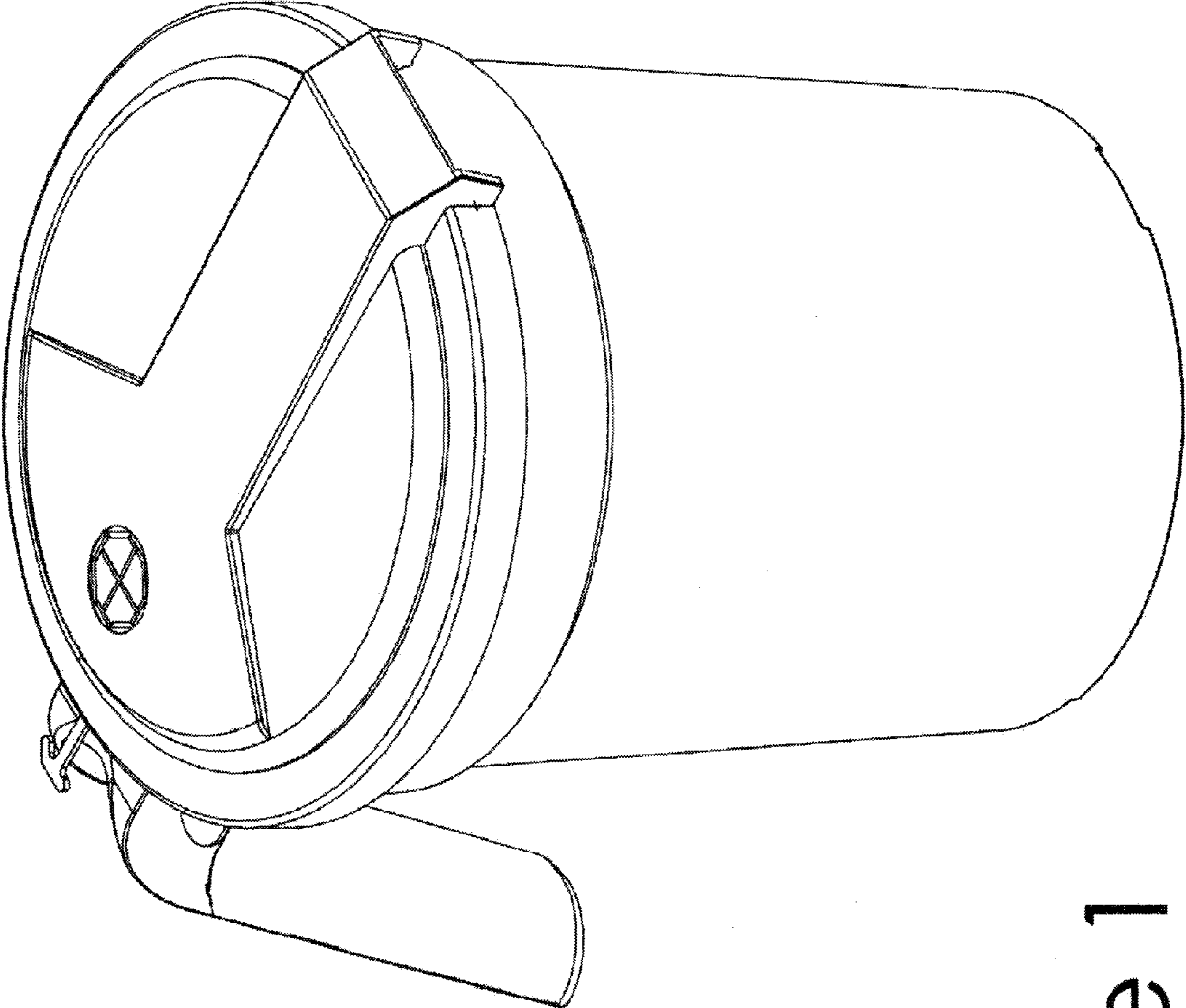


Figure 1

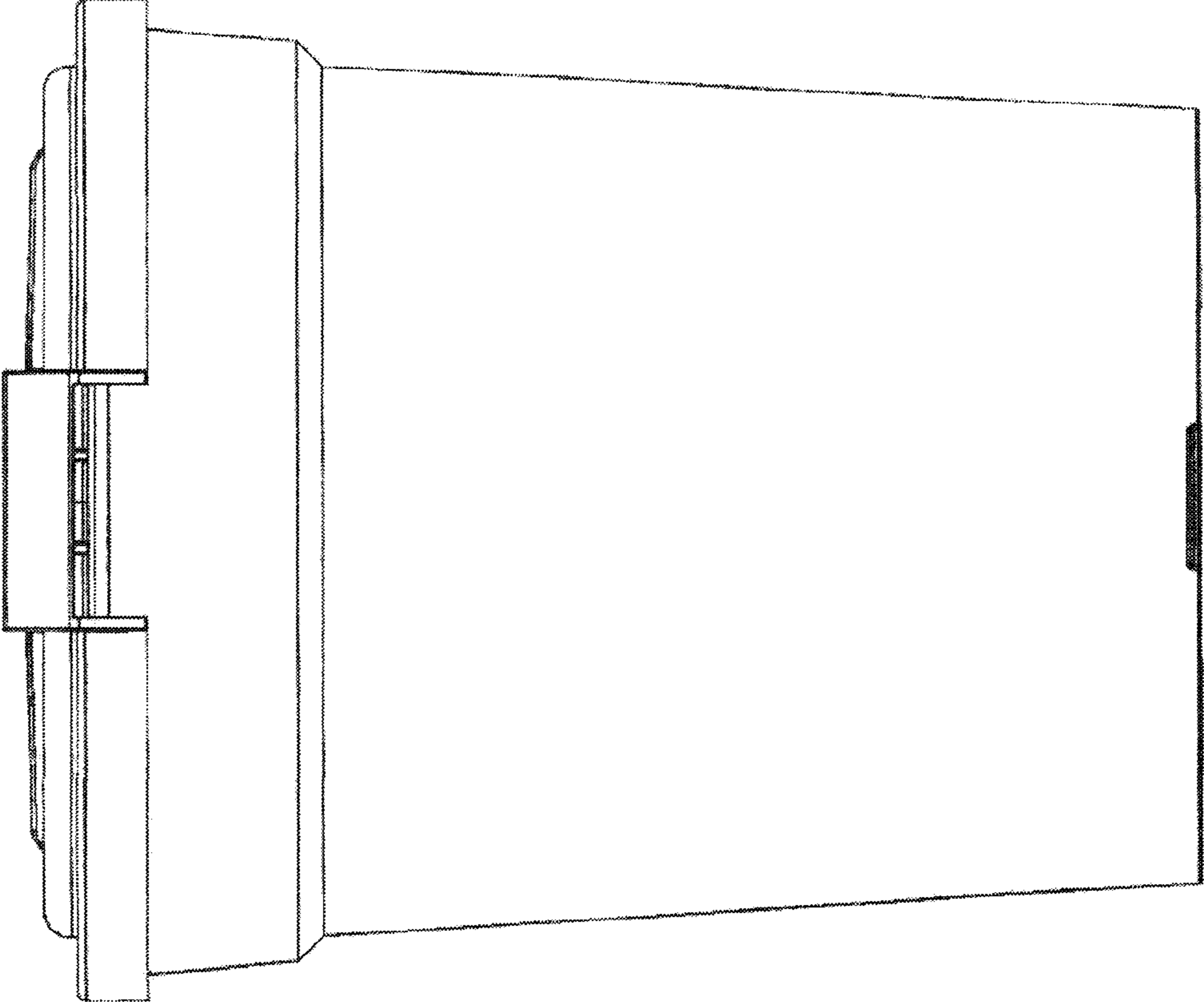


Figure 2

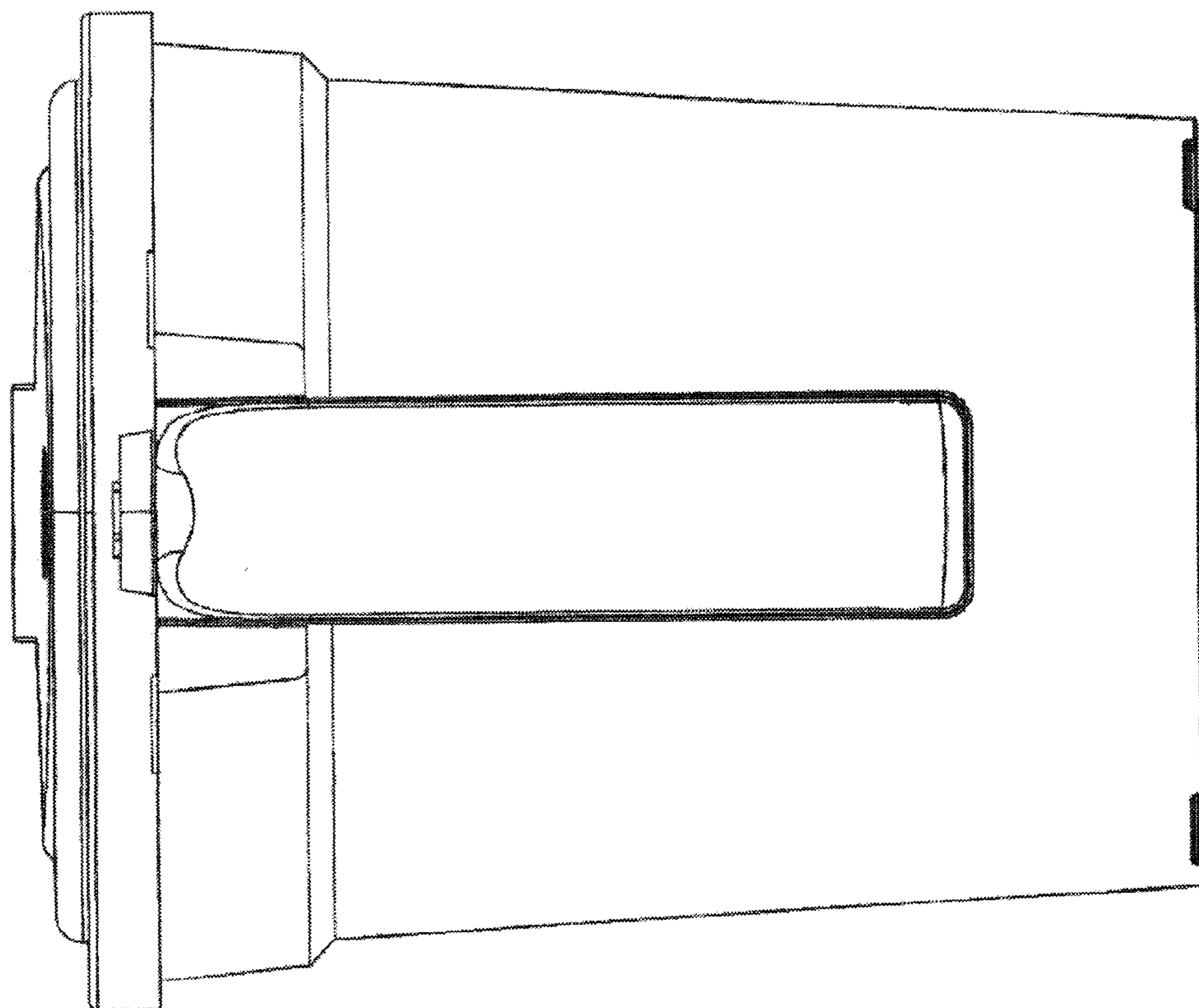


Figure 3

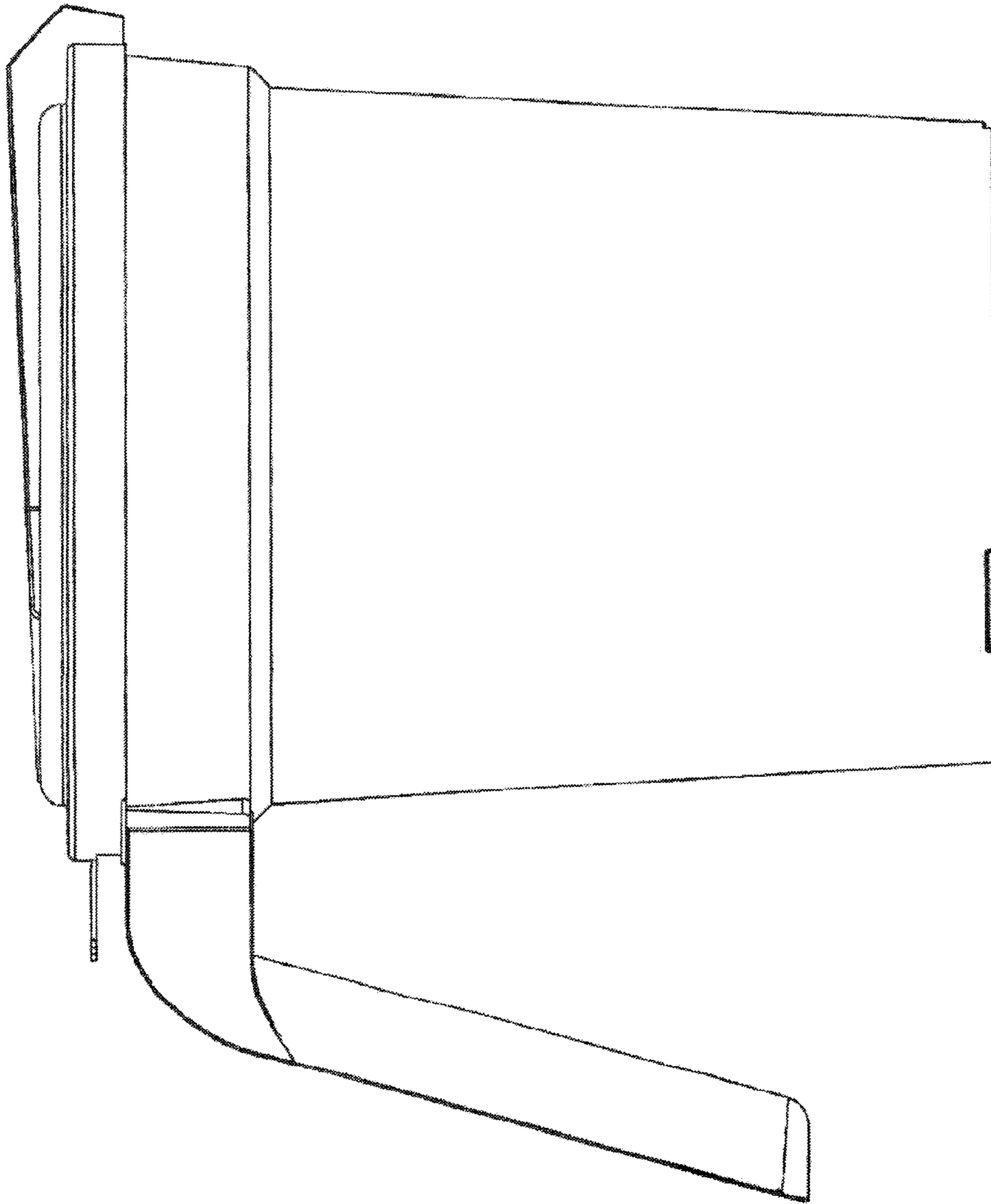


Figure 4

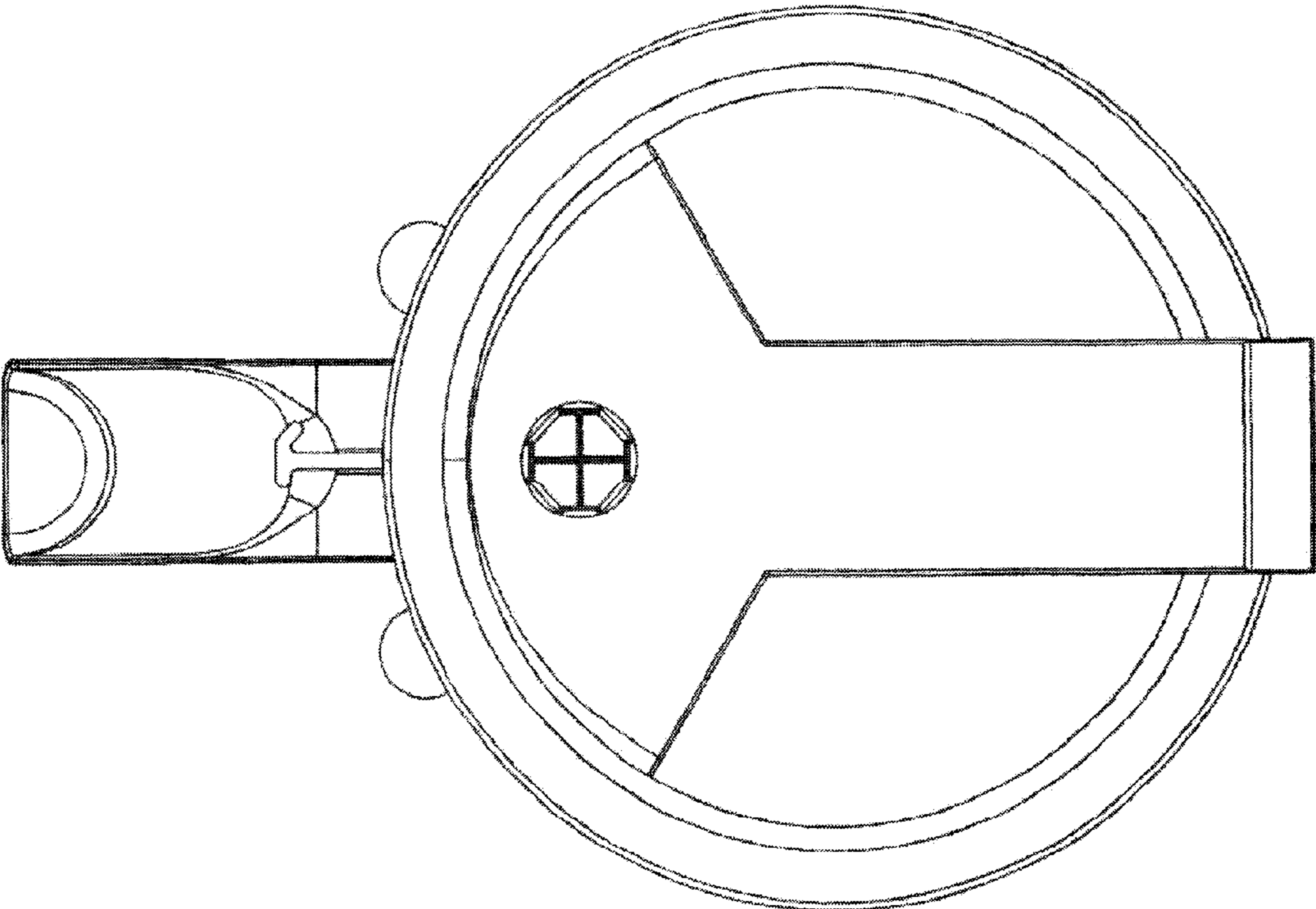


Figure 5

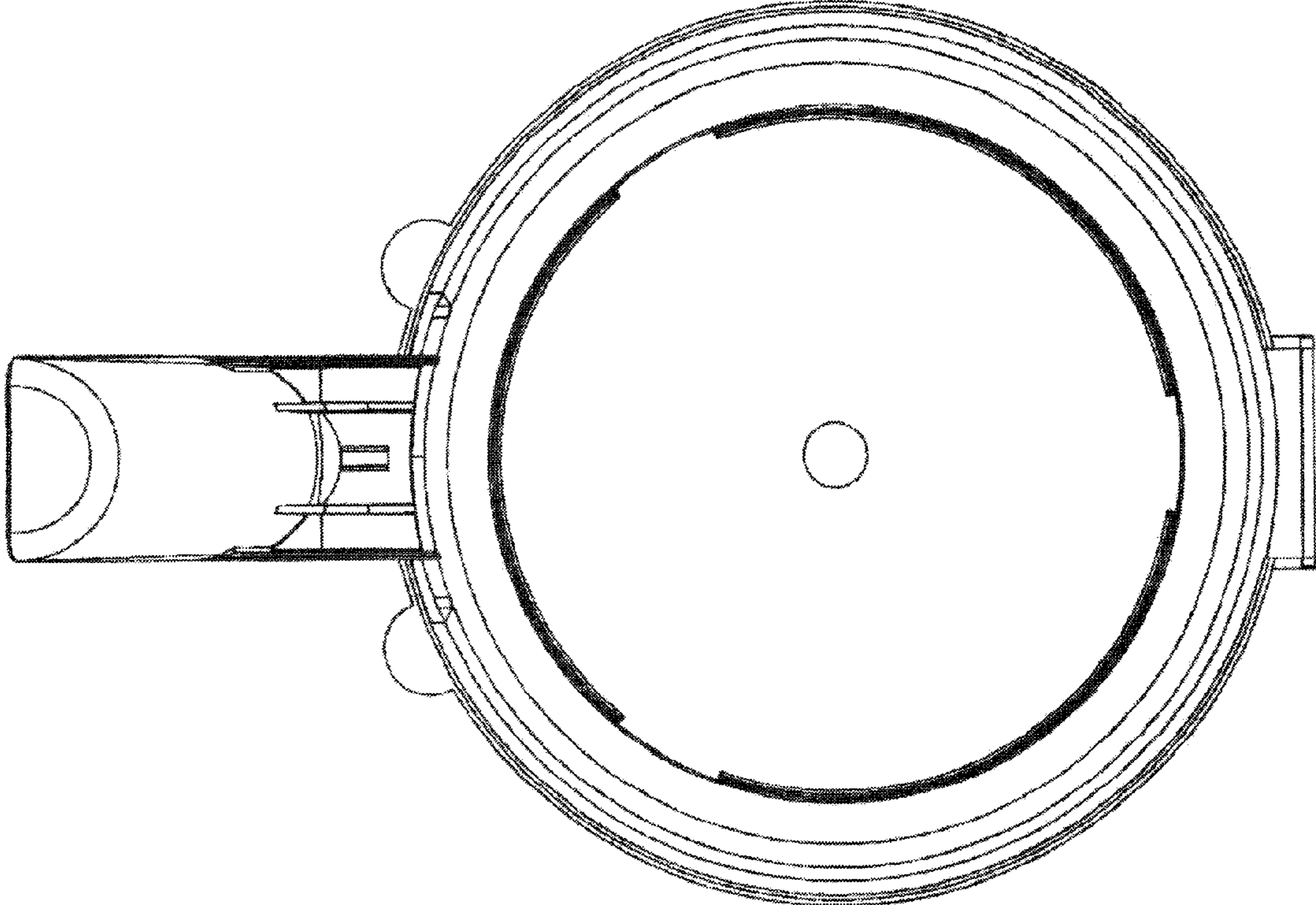


Figure 6