



US00D683173S

(12) **United States Design Patent**  
**Liang**

(10) **Patent No.:** **US D683,173 S**

(45) **Date of Patent:** **\*\* May 28, 2013**

(54) **WATER COOLER HOUSING**

(75) **Inventor:** **Da Hua Liang**, Zhongshan (CN)

(73) **Assignee:** **Paragon Water Systems, Inc.**,  
Clearwater, FL (US)

(\*\*) **Term:** **14 Years**

(21) **Appl. No.:** **29/411,348**

(22) **Filed:** **Jan. 19, 2012**

(51) **LOC (9) Cl.** ..... **07-01**

(52) **U.S. Cl.**

USPC ..... **D7/306; D7/313**

(58) **Field of Classification Search**

USPC D7/300, 309–311, 306–308, 313; 222/146.6,  
222/185.1; 99/295, 273, 283, 288, 279; 426/115  
See application file for complete search history.

(56) **References Cited**

**U.S. PATENT DOCUMENTS**

D366,179 S *	1/1996	Hauser et al. ....	D7/307
D367,797 S *	3/1996	Hauser et al. ....	D7/307
D535,521 S *	1/2007	Burns .....	D7/397
7,287,392 B2 *	10/2007	Brand et al. ....	62/132
D571,141 S *	6/2008	Roosmalen et al. ....	D7/307
D582,194 S *	12/2008	Wang .....	D7/313

D608,130 S *	1/2010	Moon et al. ....	D7/306
D623,885 S *	9/2010	Wang .....	D7/306
D643,239 S *	8/2011	Wang .....	D7/306
D643,240 S *	8/2011	Yui .....	D7/307
D643,668 S *	8/2011	Yui .....	D7/307
D651,842 S *	1/2012	Spear et al. ....	D7/306
D660,636 S *	5/2012	Wang .....	D7/306

\* cited by examiner

*Primary Examiner* — Marianne Pandozzi

(74) *Attorney, Agent, or Firm* — Greer, Burns & Crain, Ltd.

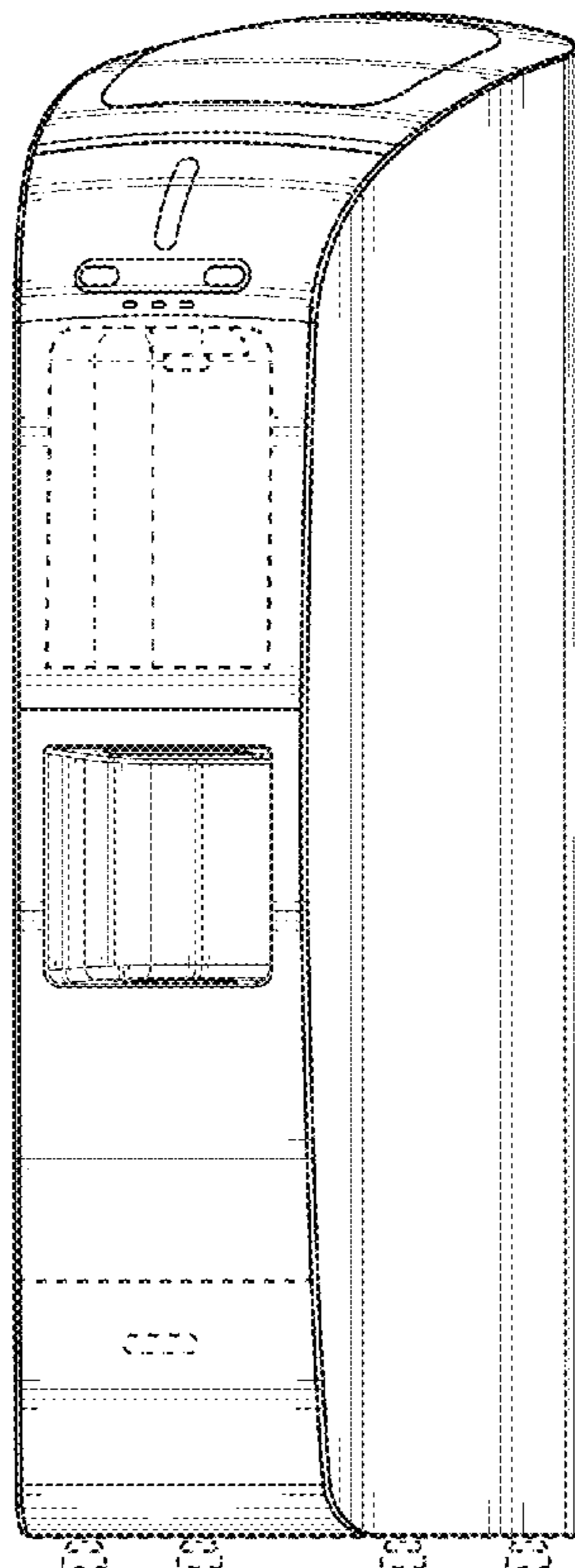
(57) **CLAIM**

The ornamental design for a water cooler housing, as shown and described.

**DESCRIPTION**

FIG. 1 is a top perspective view of a water cooler housing showing my new design;  
FIG. 2 is a front view thereof;  
FIG. 3 is a rear view thereof;  
FIG. 4 is a right side view thereof;  
FIG. 5 is a left side view thereof;  
FIG. 6 is a top plan view thereof; and,  
FIG. 7 is a bottom plan view thereof.  
The structure shown in broken lines is for environment purposes only and does not form part of the claimed invention.

**1 Claim, 4 Drawing Sheets**



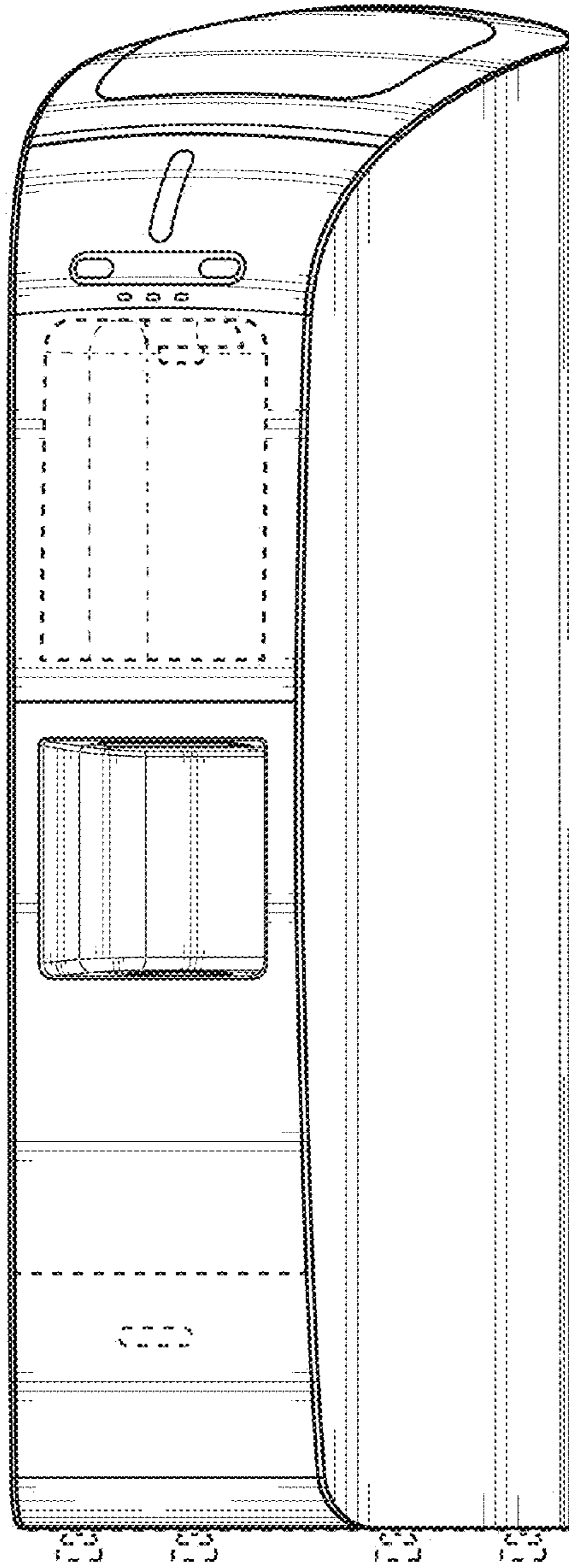


FIG. 1

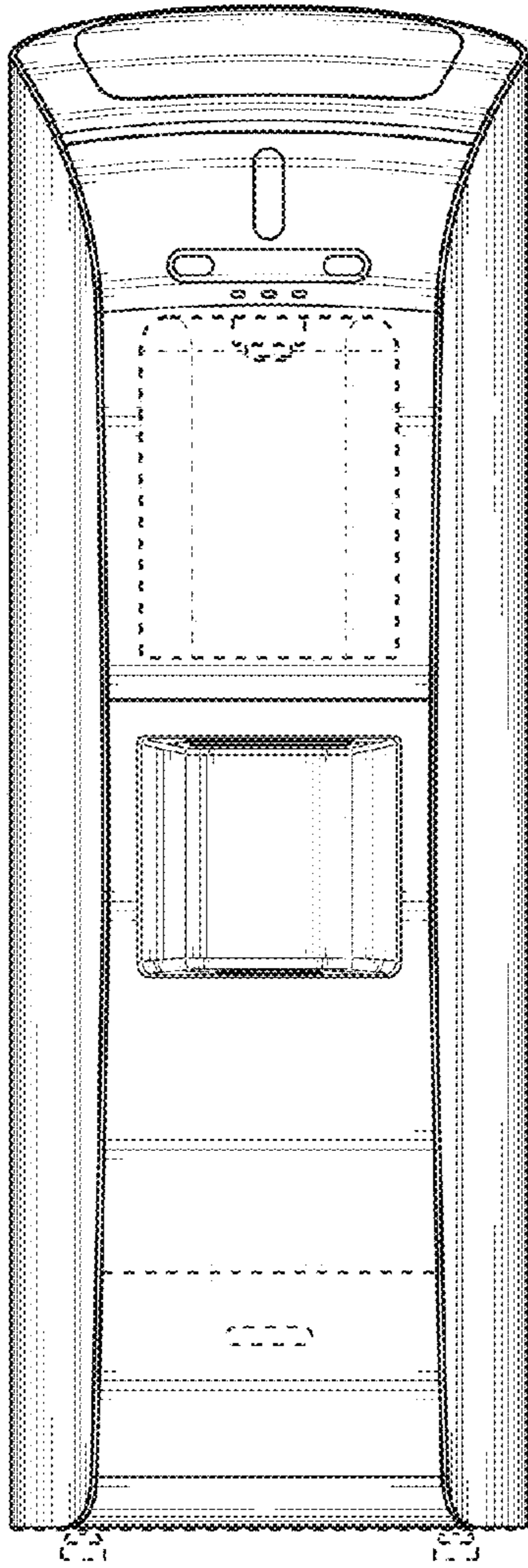


FIG. 2

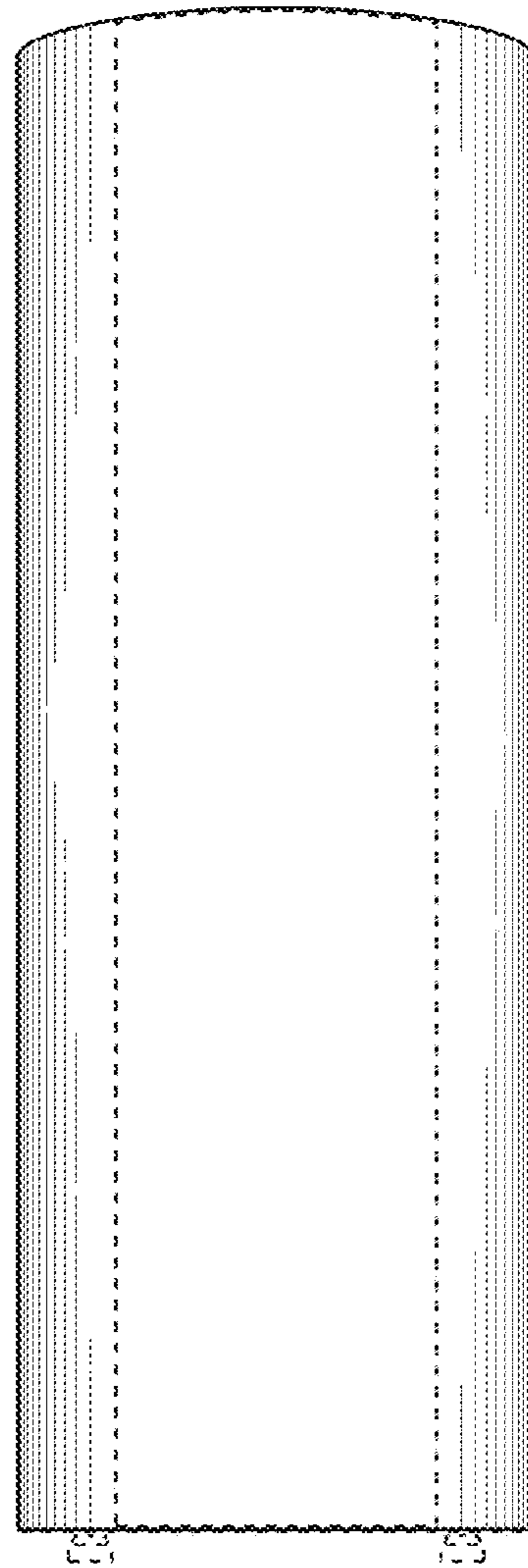


FIG. 3

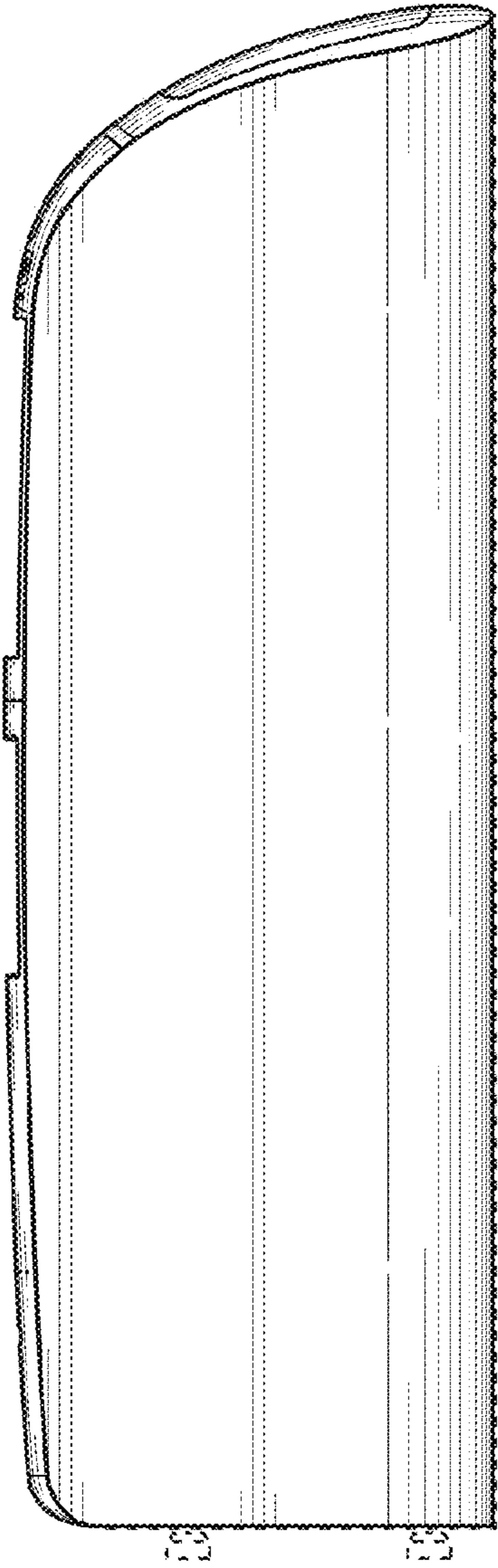


FIG. 4

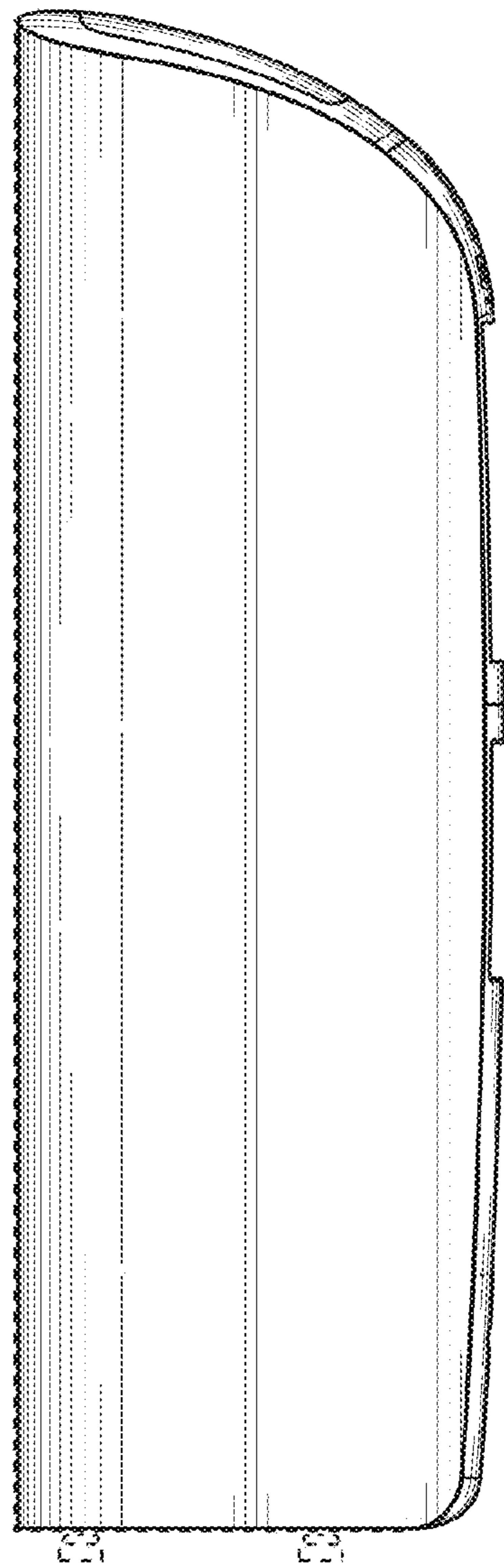


FIG. 5

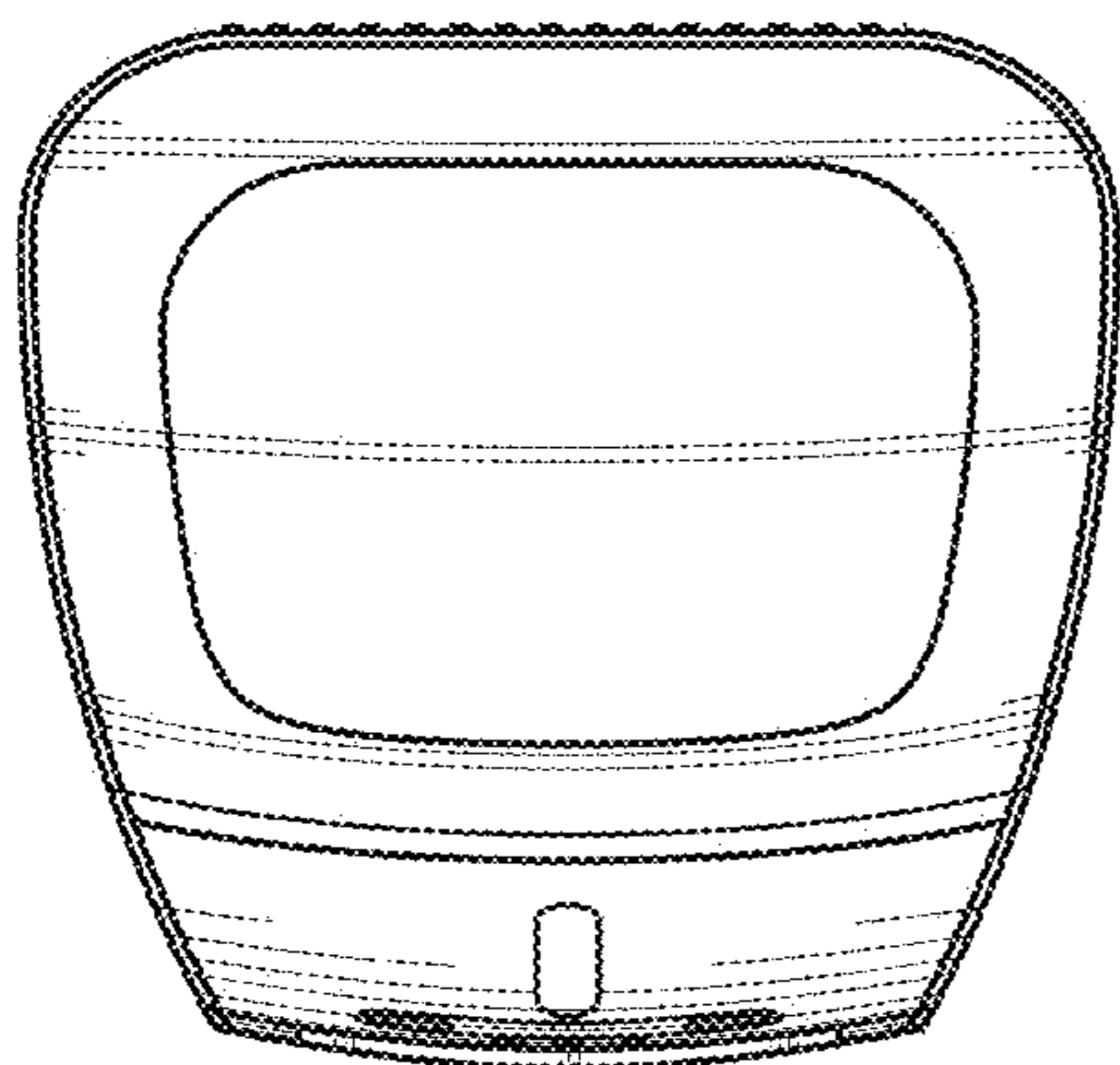


FIG. 6

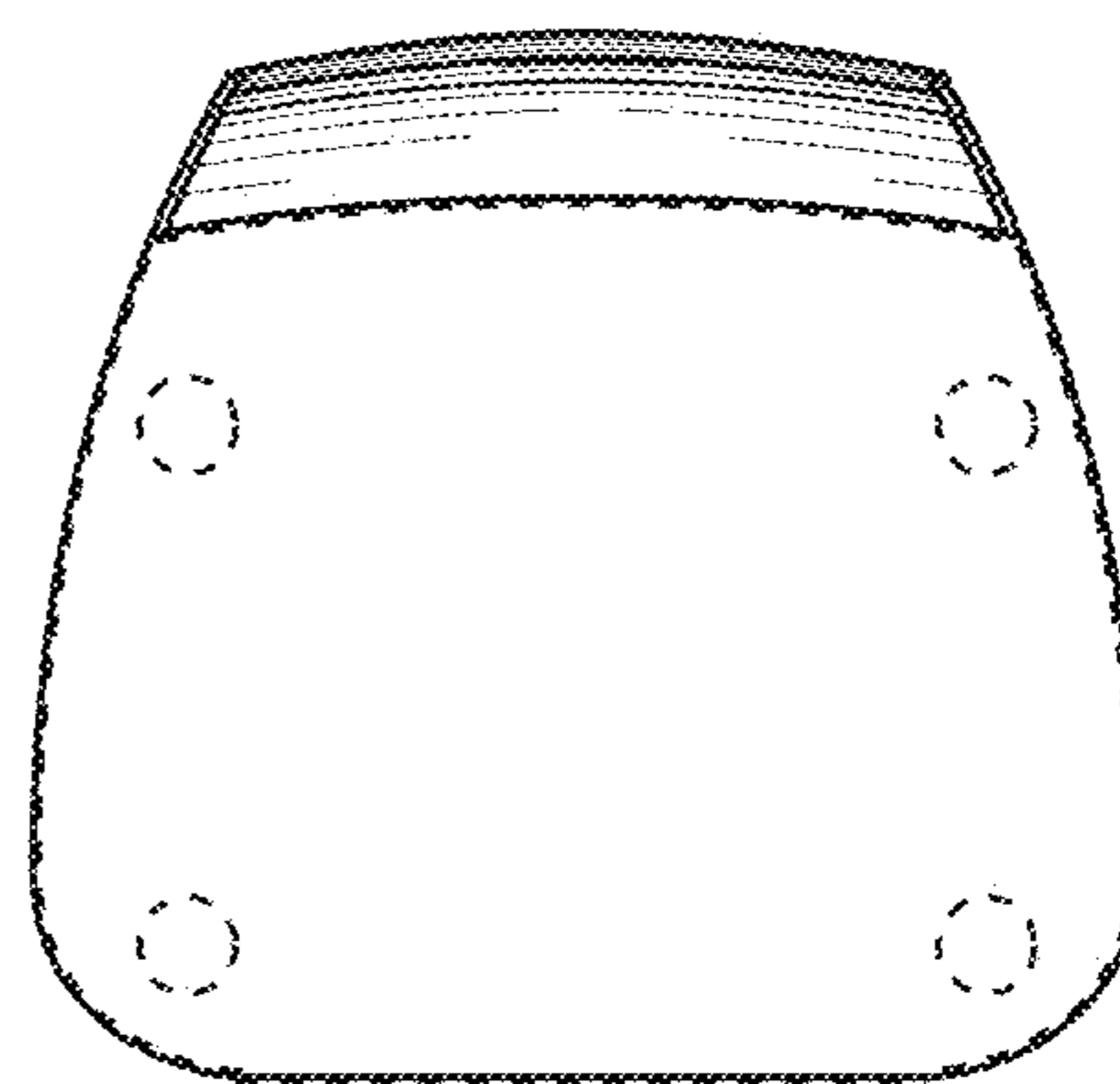


FIG. 7