



US00D683171S

(12) **United States Design Patent**
Kubryk

(10) **Patent No.:** **US D683,171 S**

(45) **Date of Patent:** **** May 28, 2013**

(54) **TASK CHAIR**

(71) Applicant: **Isaac Kubryk**, Lockeford, CA (US)

(72) Inventor: **Isaac Kubryk**, Lockeford, CA (US)

(73) Assignee: **Global Allies, LLC**, Lockeford, CA (US)

(**) Term: **14 Years**

(21) Appl. No.: **29/436,443**

(22) Filed: **Nov. 6, 2012**

(51) **LOC (9) Cl.** **06-01**

(52) **U.S. Cl.**
USPC **D6/716; D6/366**

(58) **Field of Classification Search** D6/334-336,
D6/364, 365, 366, 371-373, 374, 375, 379,
D6/380, 716, 716.1, 716.2, 716.3, 716.4; 297/230.1,
297/230.12, 445.1, 446.1, 411.41, 411.45,
297/450.1

See application file for complete search history.

(56) **References Cited**

U.S. PATENT DOCUMENTS

D195,401 S * 6/1963 Johnson D6/366
D327,585 S * 7/1992 Hollington D6/366

D330,810 S * 11/1992 Stafford D6/366
D414,950 S * 10/1999 James D6/366
D495,167 S * 8/2004 Chu D6/500
D543,716 S * 6/2007 Votteler et al. D6/366
D648,158 S * 11/2011 Kubryk D6/716
D654,732 S * 2/2012 Kubryk D6/716
D660,054 S * 5/2012 Kane D6/716
D660,055 S * 5/2012 Kane D6/716
D664,381 S * 7/2012 Kubryk D6/716
D667,232 S * 9/2012 Yang D6/366

* cited by examiner

Primary Examiner — Mimoso De

(74) *Attorney, Agent, or Firm* — Audrey A. Millemann;
Weintraub Tobin, et al.

(57) **CLAIM**

The ornamental design for a task chair, as shown and described.

DESCRIPTION

FIG. 1 is a perspective view of a task chair, looking toward the right front corner, showing my new design;

FIG. 2 is a front view thereof;

FIG. 3 is a right side view thereof;

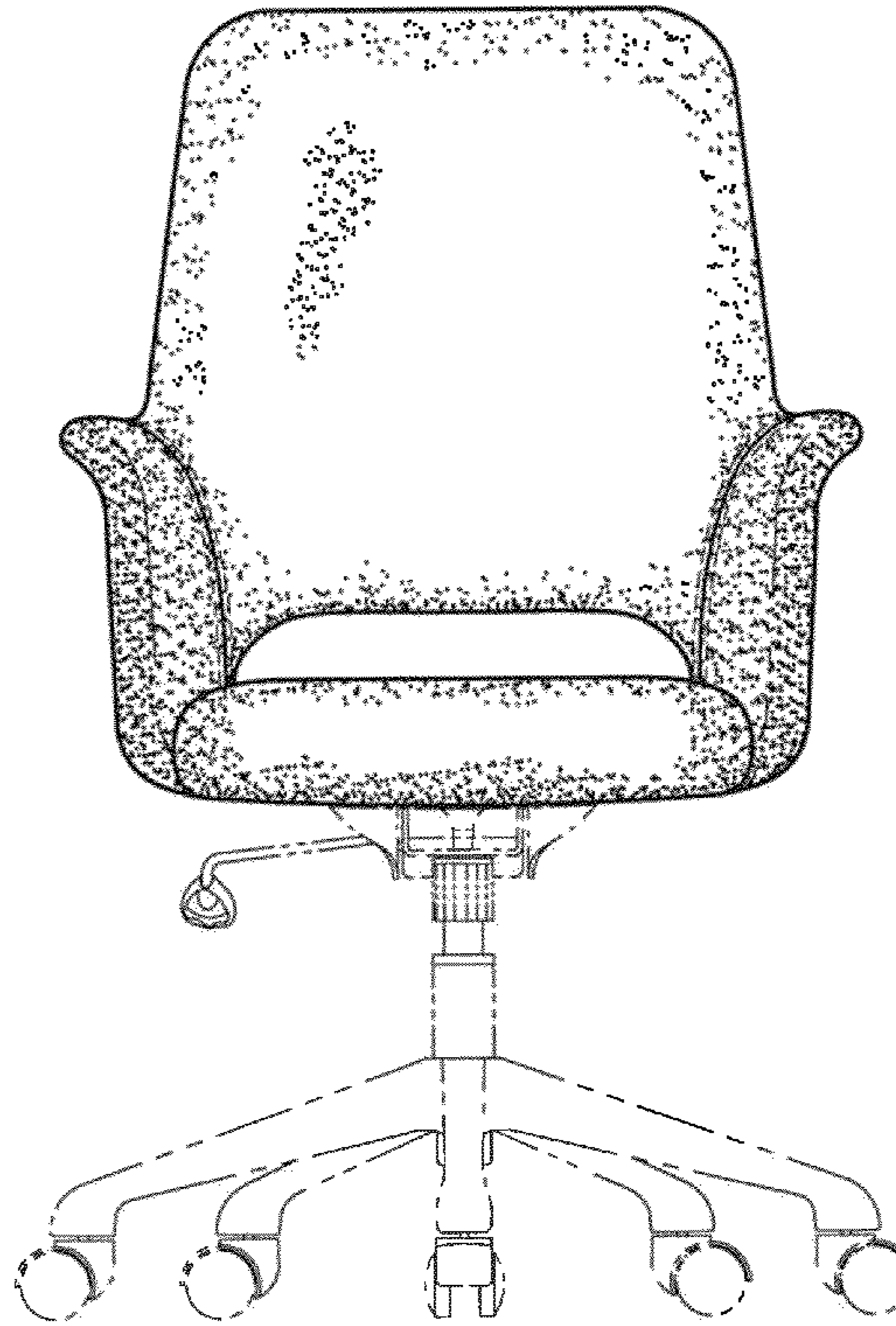
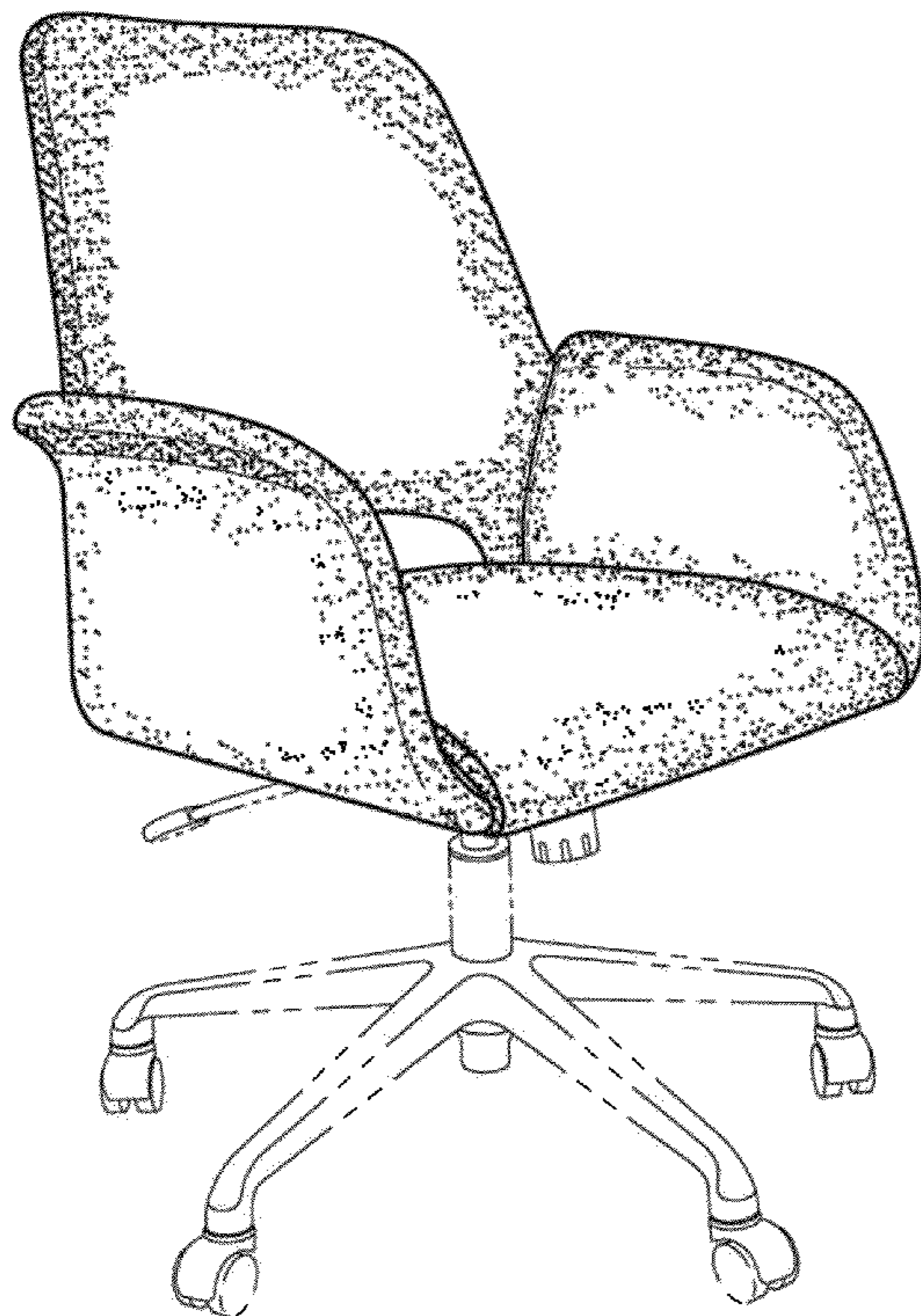
FIG. 4 is a back view thereof;

FIG. 5 is a top view thereof; and,

FIG. 6 is a bottom view thereof.

The broken lines shown in the drawing are for illustrative purposes only and form no part of the claimed design.

1 Claim, 5 Drawing Sheets



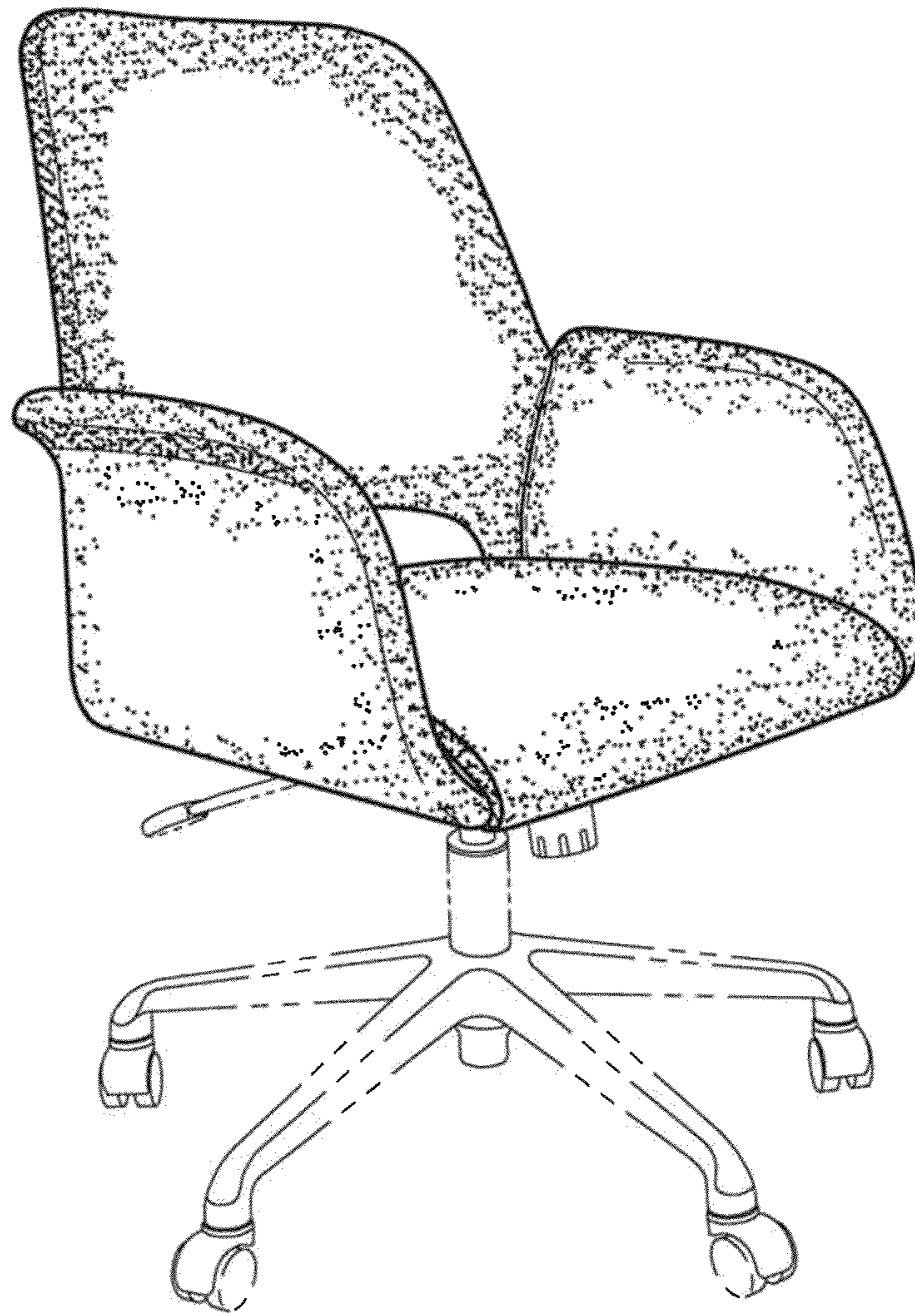


FIG. 1

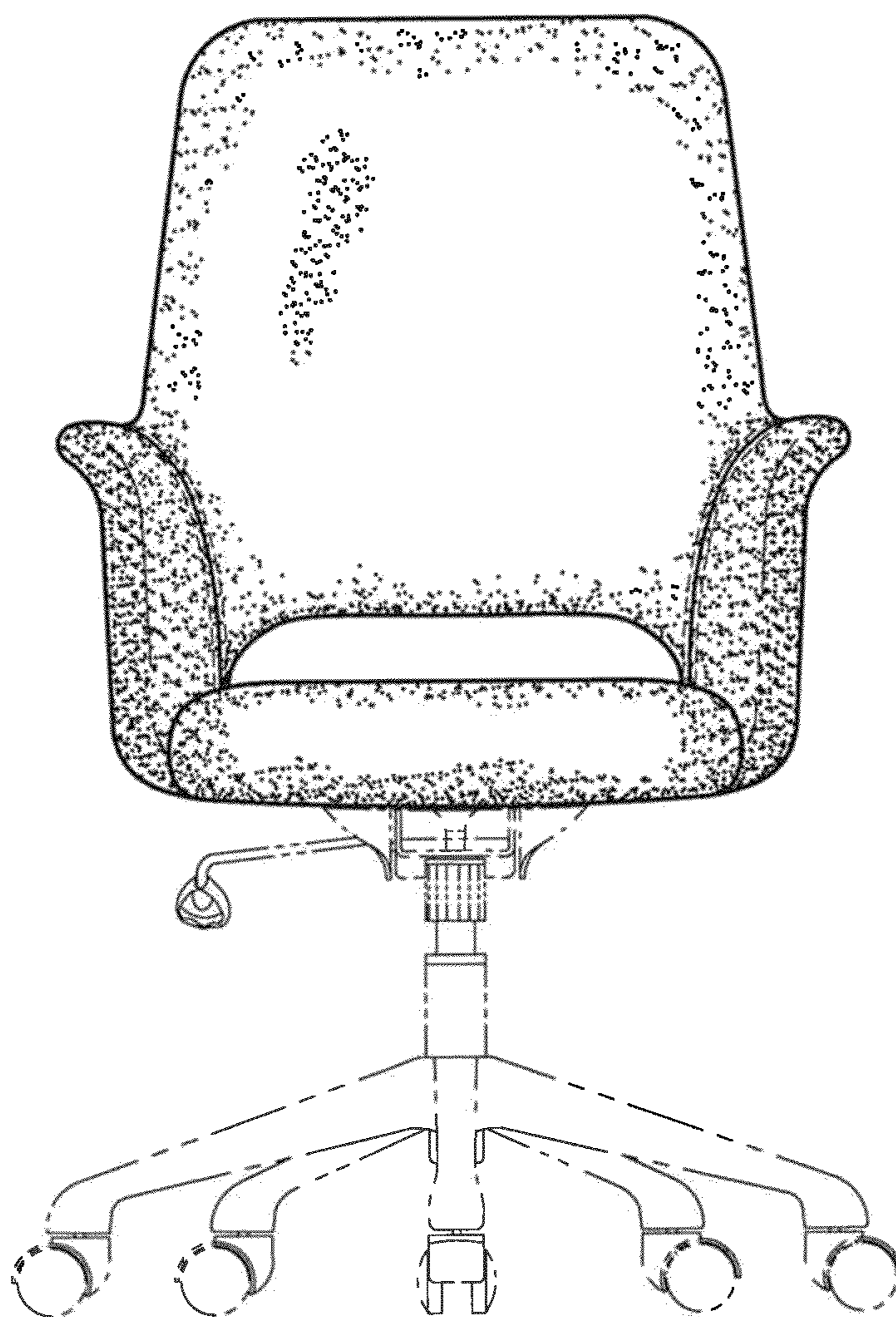


FIG. 2

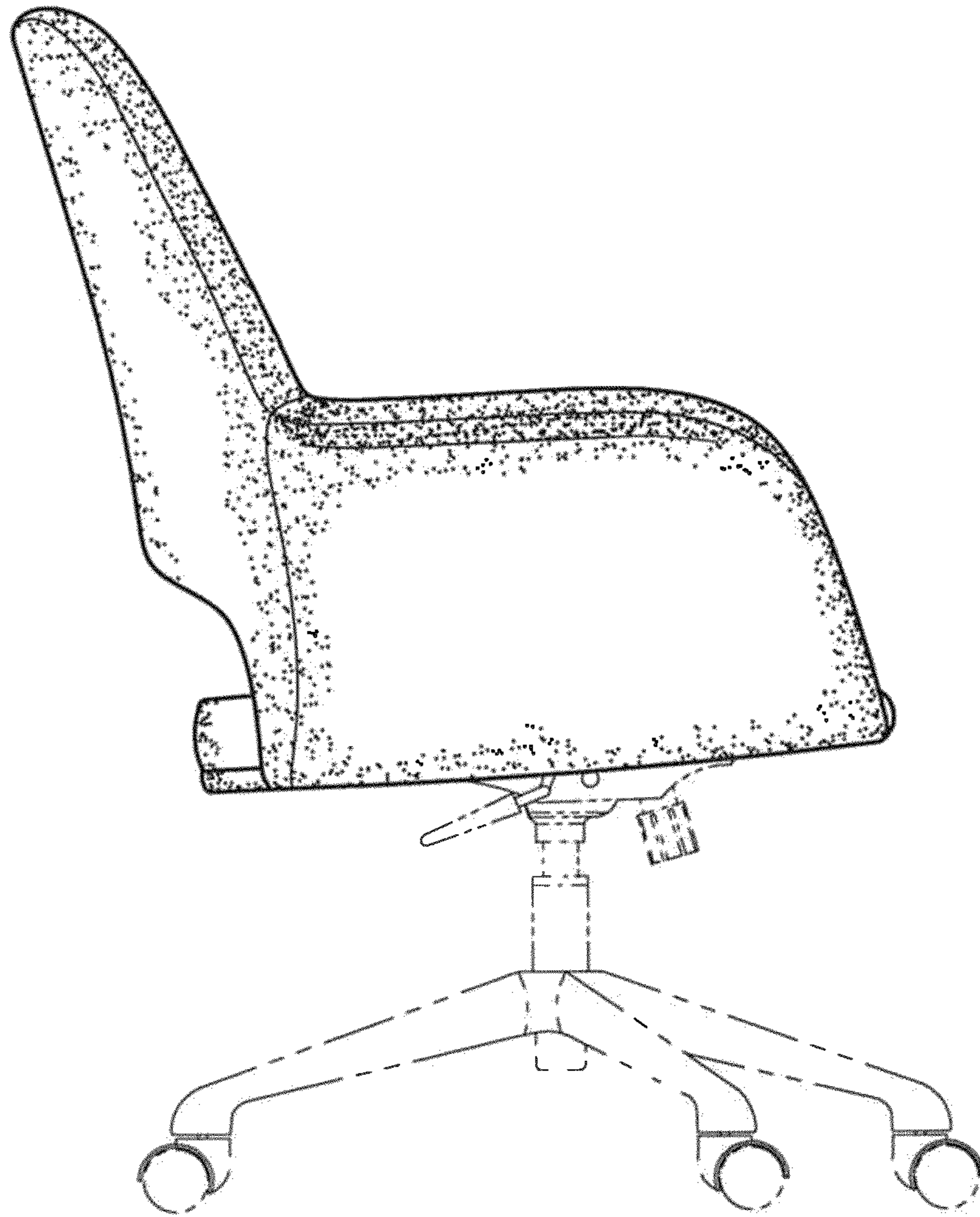


FIG. 3

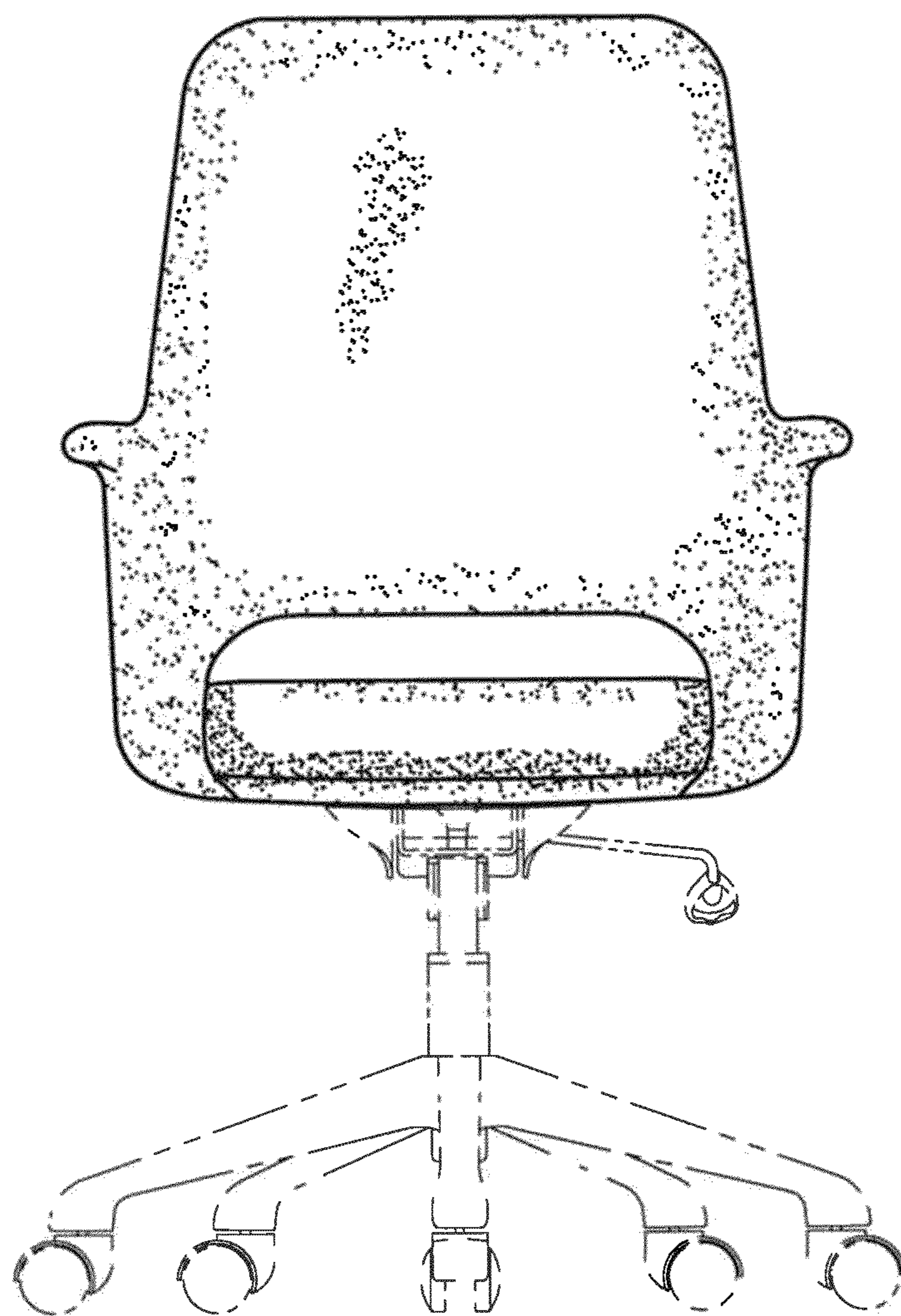


FIG. 4

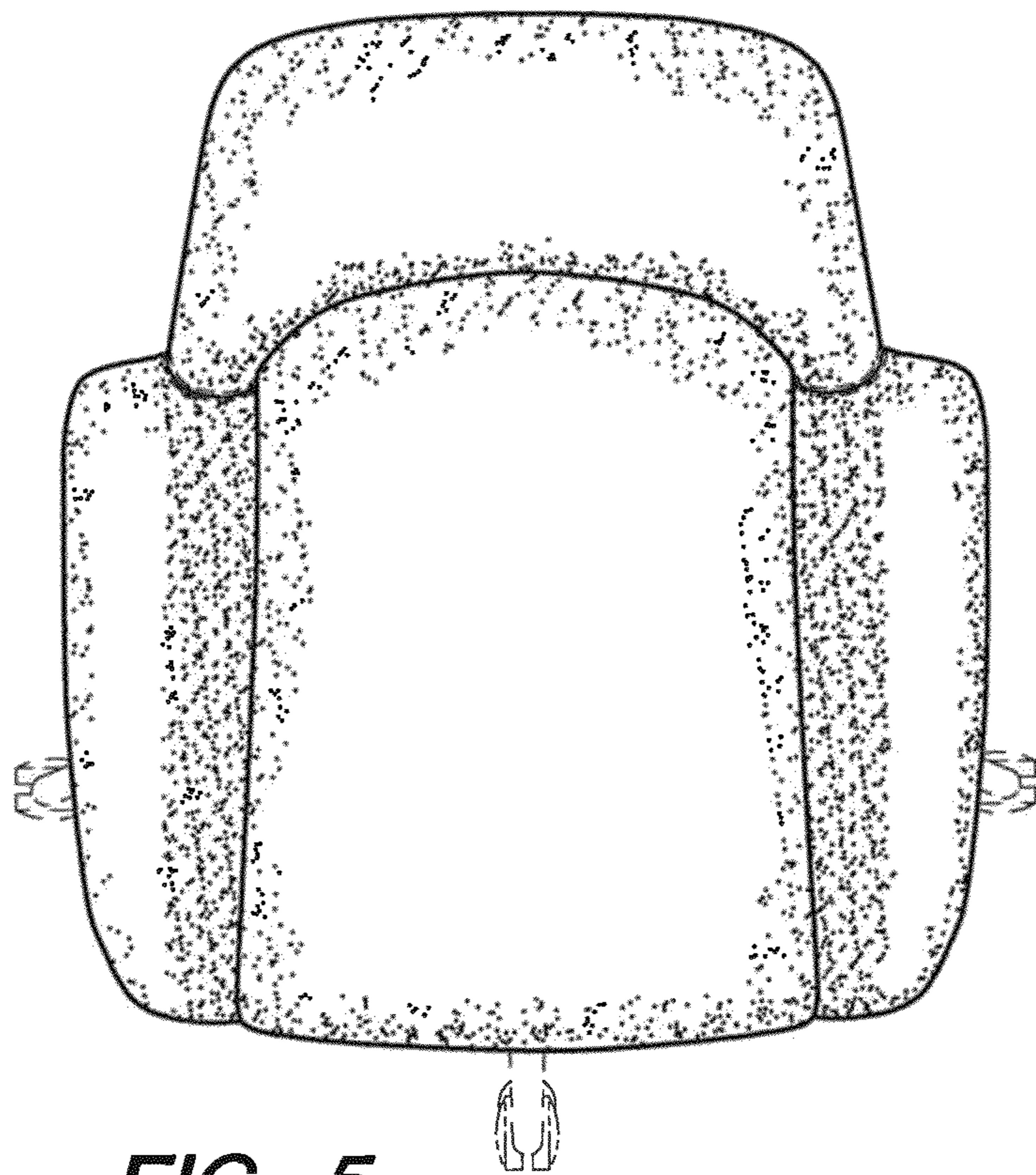


FIG. 5

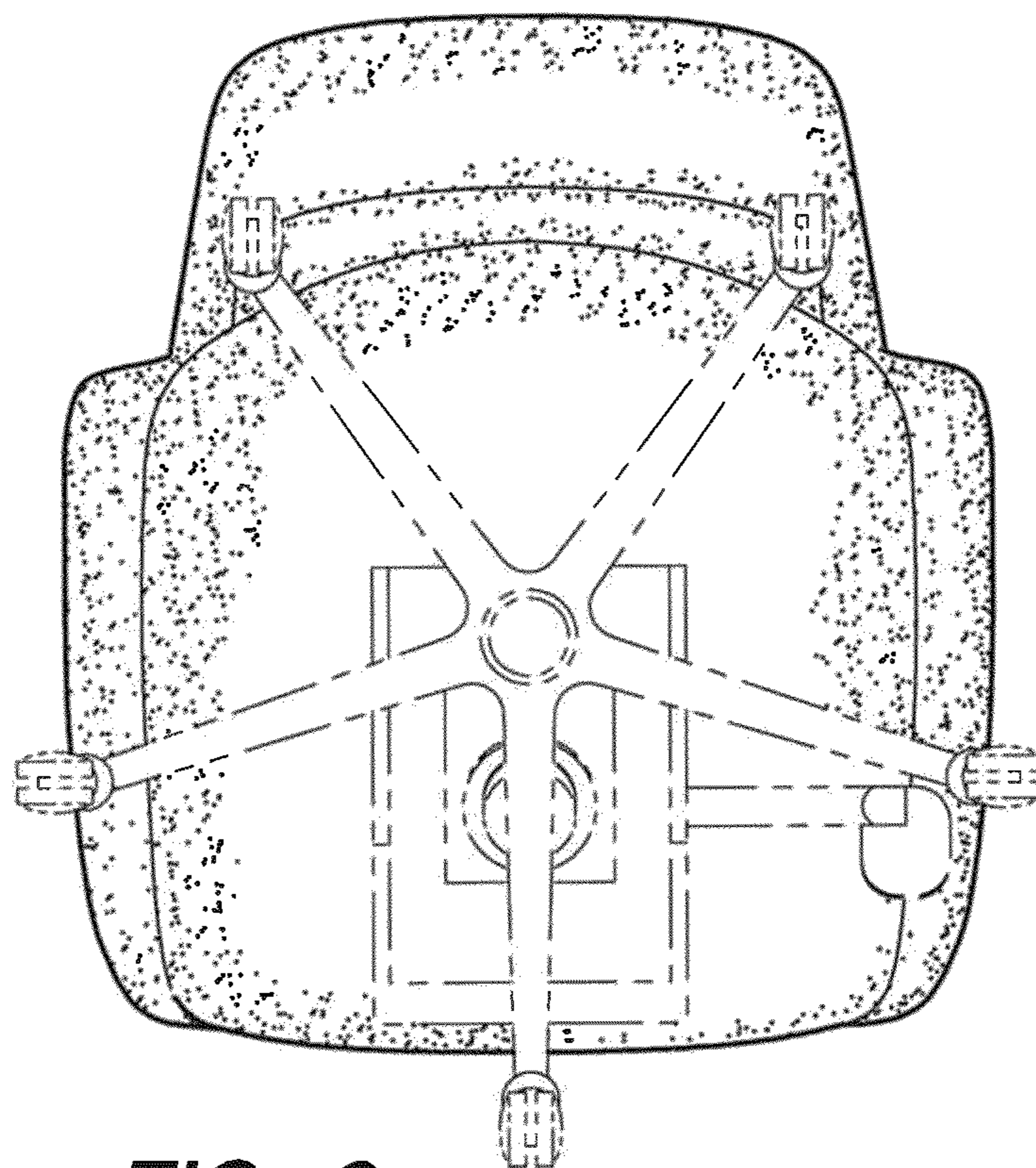


FIG. 6