



US00D683168S

(12) **United States Design Patent**
Abel et al.

(10) **Patent No.:** **US D683,168 S**

(45) **Date of Patent:** **** May 28, 2013**

(54) **BALLOT BOX CART**

(76) Inventors: **Gary V. Abel**, Ellicott City, MD (US);
Joseph Wilson, Spencer, MD (US)

(**) Term: **14 Years**

(21) Appl. No.: **29/389,442**

(22) Filed: **Apr. 12, 2011**

(51) **LOC (9) Cl.** **06-03**

(52) **U.S. Cl.**
USPC **D6/643**

(58) **Field of Classification Search**
USPC . D6/421-428; 312/194-196, 198; 108/50.01,
108/50.02, 60; 235/51, 50 R; 52/36.1, 36.4
See application file for complete search history.

(56) **References Cited**

U.S. PATENT DOCUMENTS

| | | | | | | |
|-----------|---|---|---------|---------------|-------|---------|
| D203,121 | S | * | 12/1965 | Barecki | | D6/421 |
| 5,666,765 | A | * | 9/1997 | Sarner et al. | | 52/36.1 |
| D573,773 | S | * | 7/2008 | Wilson et al. | | D34/17 |
| D604,022 | S | * | 11/2009 | Abel et al. | | D34/17 |
| D616,217 | S | * | 5/2010 | Abel et al. | | D6/421 |

* cited by examiner

Primary Examiner — Janice Seeger

(74) *Attorney, Agent, or Firm* — Ober, Kaler, Grimes & Shriver; Royal W. Craig

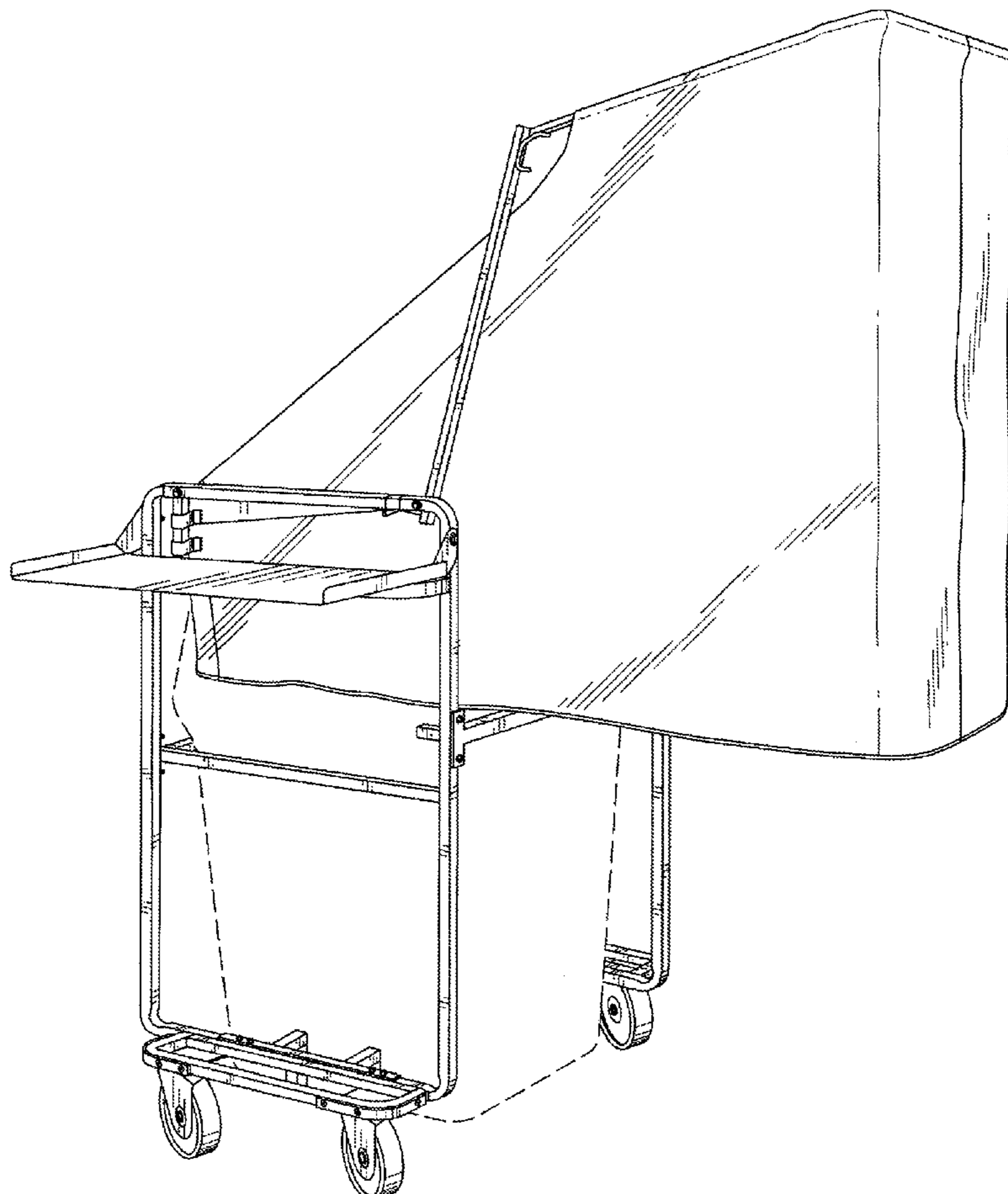
(57) **CLAIM**

The ornamental design for a ballot box cart, as shown and described.

DESCRIPTION

FIG. 1 is a front-left perspective view of the ballot box cart according to a preferred embodiment of our new design. FIG. 2 is a left side view of the ballot box cart as in FIG. 1. FIG. 3 is a right side view of the ballot box cart as in FIGS. 1-2. FIG. 4 is a front view of the ballot box cart as in FIGS. 1-3. FIG. 5 is a rear view of the ballot box cart as in FIGS. 1-4. FIG. 6 is a top view of the ballot box cart as in FIGS. 1-5; and, FIG. 7 is a bottom view of the ballot box cart as in FIGS. 1-6. The broken lines showing the ballot box are for environmental purposes only and form no part of the claimed design.

1 Claim, 6 Drawing Sheets



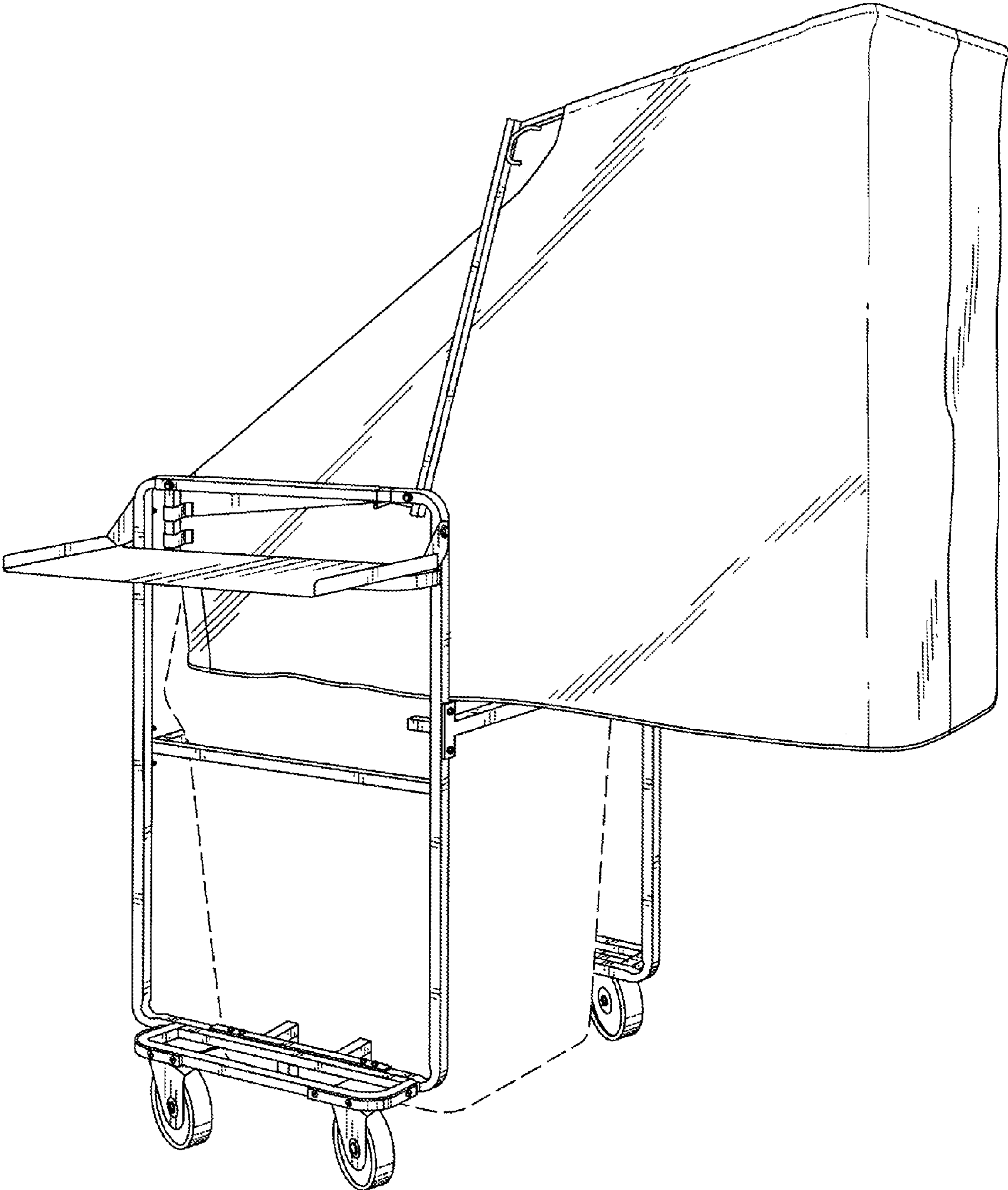


Fig. 1

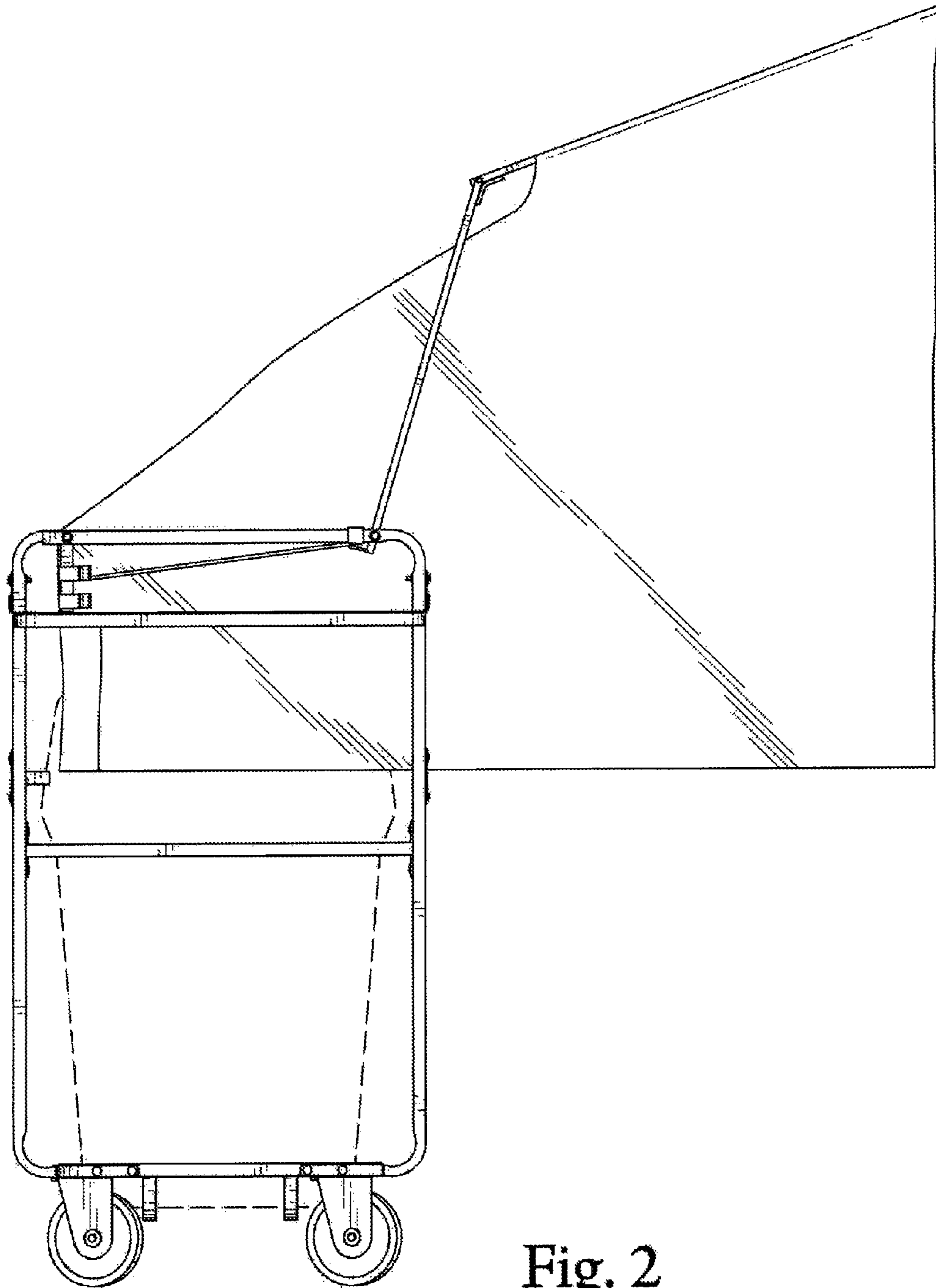


Fig. 2

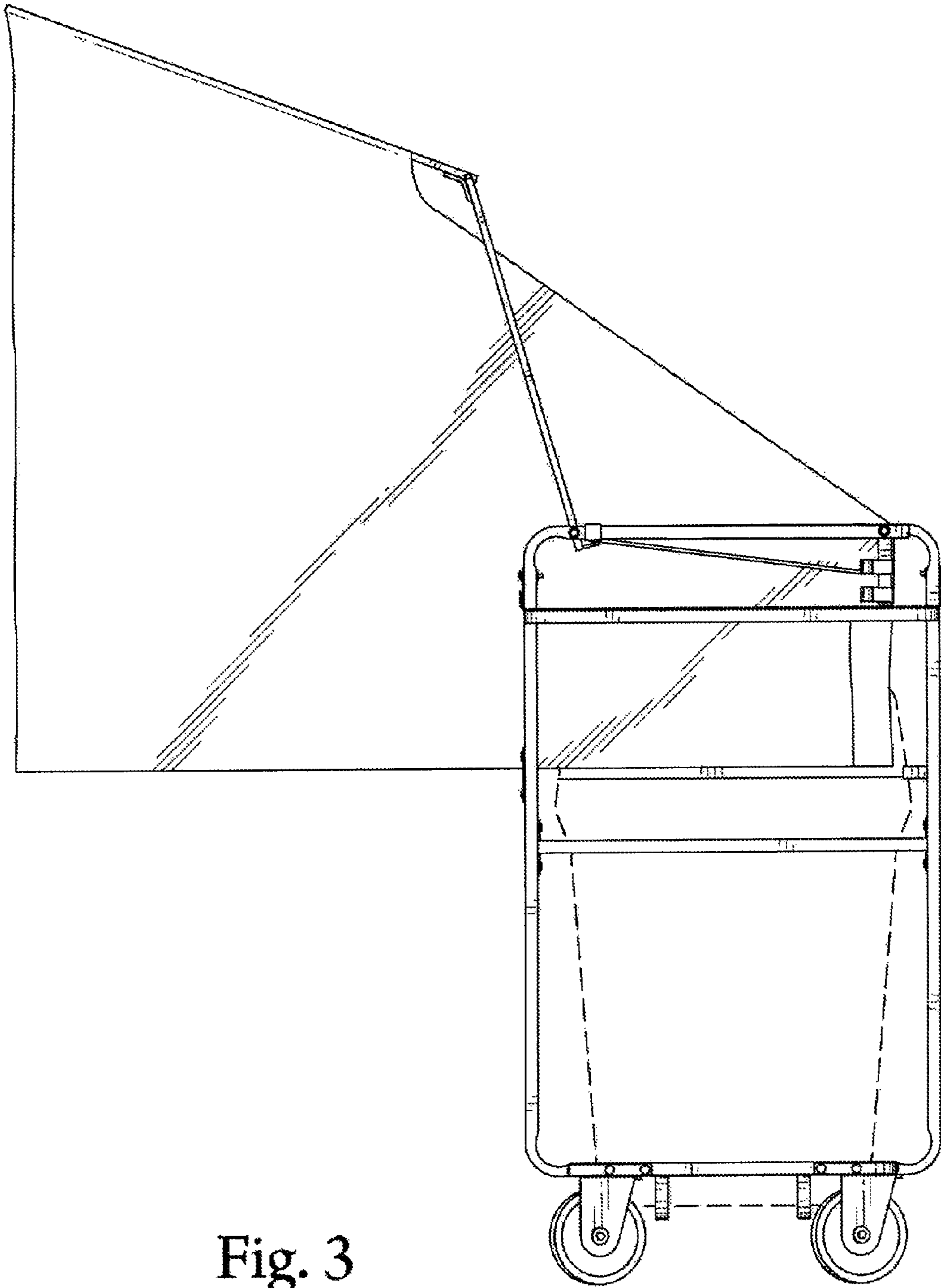


Fig. 3

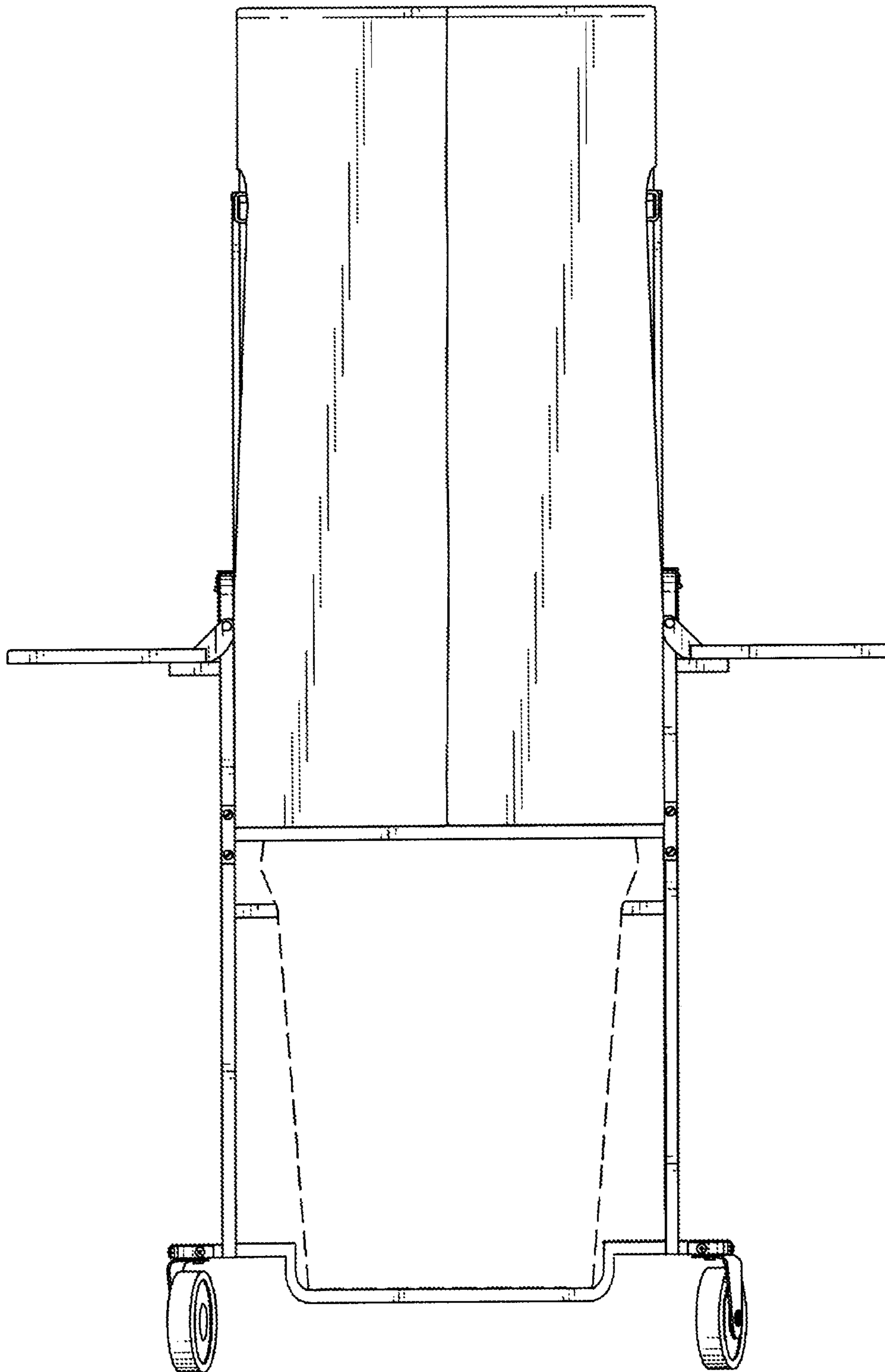


Fig. 4

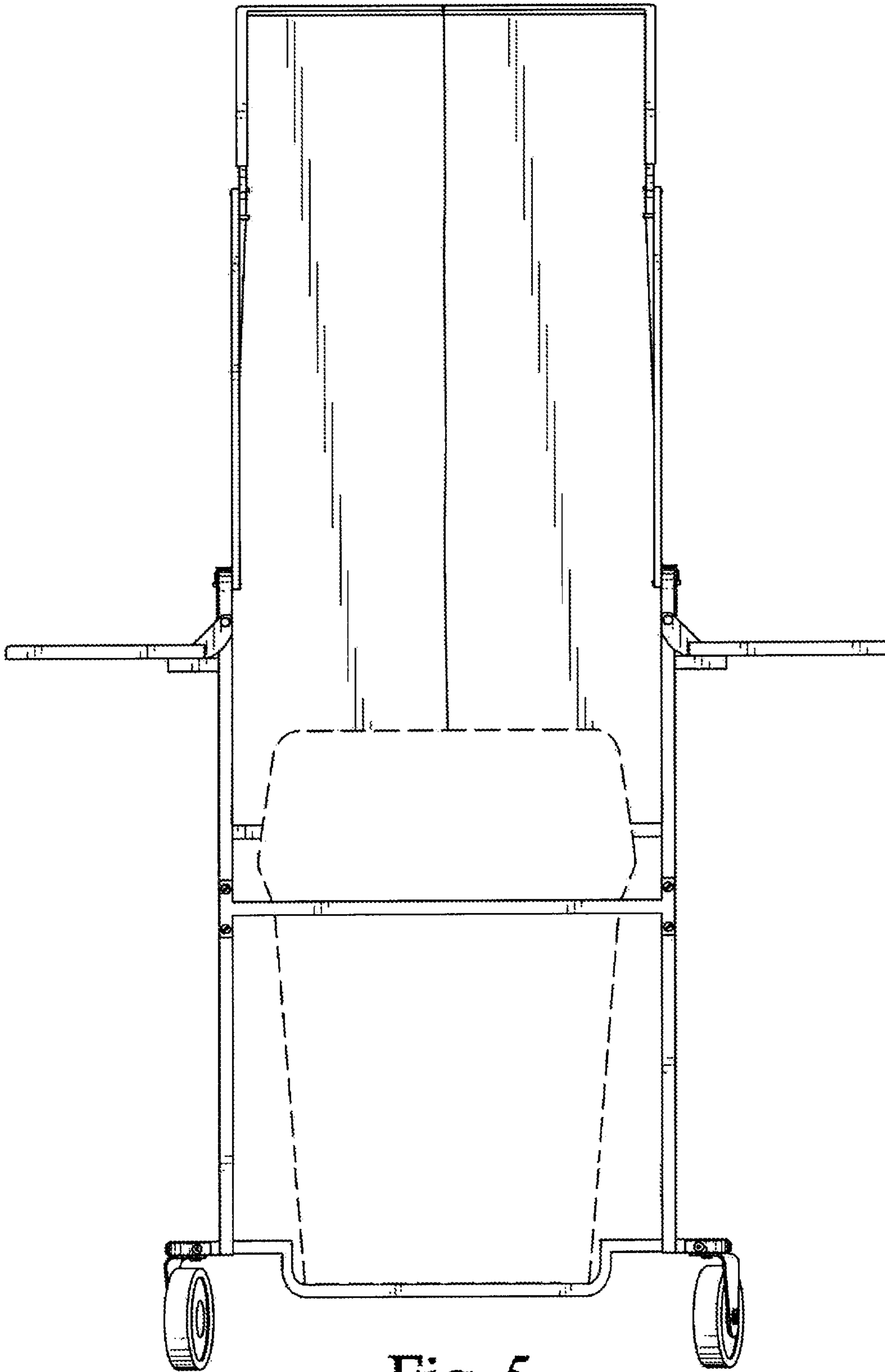


Fig. 5

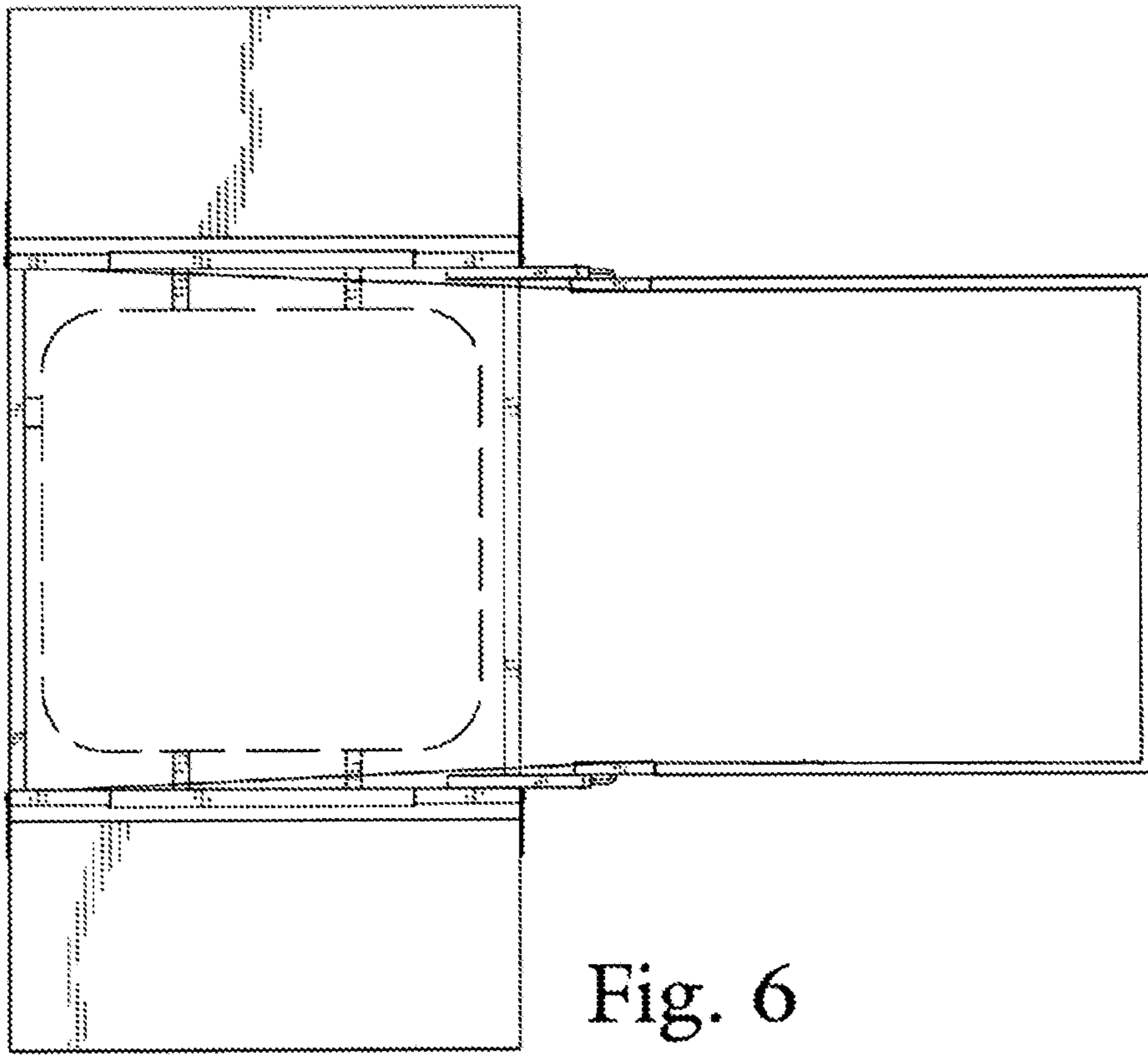


Fig. 6

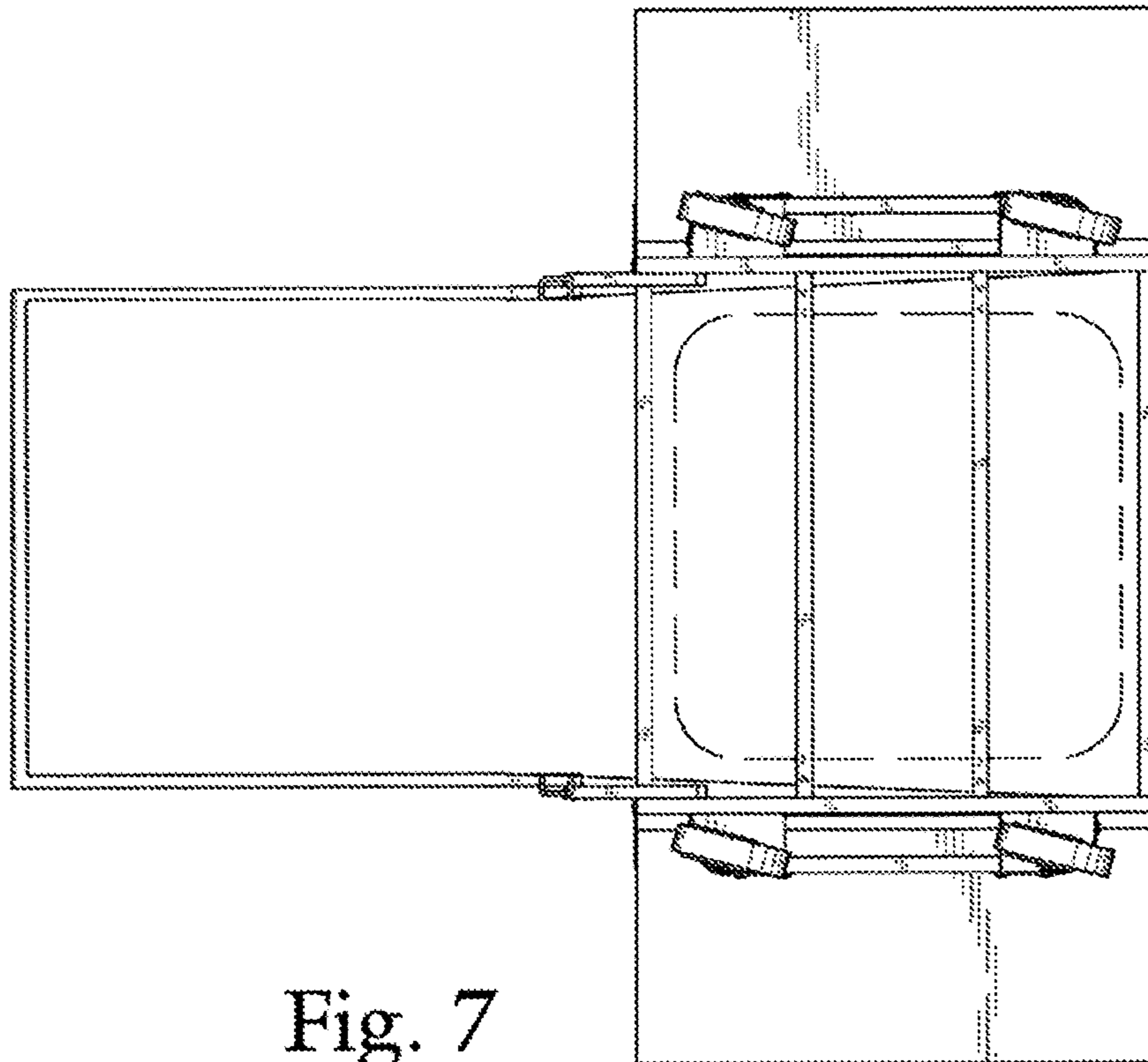


Fig. 7