



US00D683167S

(12) **United States Design Patent**
Margalit

(10) **Patent No.:** **US D683,167 S**

(45) **Date of Patent:** **** May 28, 2013**

(54) **GYM TOWEL**

(76) **Inventor:** **Jon Margalit**, San Diego, CA (US)

(**) **Term:** **14 Years**

(21) **Appl. No.:** **29/411,980**

(22) **Filed:** **Jan. 27, 2012**

(51) **LOC (9) Cl.** **06-09**

(52) **U.S. Cl.**
USPC **D6/608**

(58) **Field of Classification Search**
USPC D6/595, 608; 5/417-420, 922; 15/208,
15/209.1; 428/82

See application file for complete search history.

(56) **References Cited**

U.S. PATENT DOCUMENTS

4,844,540	A *	7/1989	Pegram	297/229
D341,513	S *	11/1993	Reeves et al.	D6/596
5,533,653	A	7/1996	Kaufman		
5,618,110	A *	4/1997	Sullivan	383/4
5,817,379	A	10/1998	Rich		
D413,477	S *	9/1999	Chaney	D6/608
6,058,530	A	5/2000	Wheeler		
6,186,155	B1	2/2001	Cheek		
D646,102	S *	10/2011	Margalit	D6/608
2005/0071920	A1 *	4/2005	Higashi et al.	5/417

2006/0189463	A1	8/2006	Boice		
2007/0226934	A1	10/2007	Bohannon		
2008/0201882	A1	8/2008	Hay		
2009/0011911	A1 *	1/2009	Lee	482/142
2010/0089958	A1 *	4/2010	Flagel et al.	224/576

* cited by examiner

Primary Examiner — Janice Seeger

(74) *Attorney, Agent, or Firm* — Mark Wisnosky

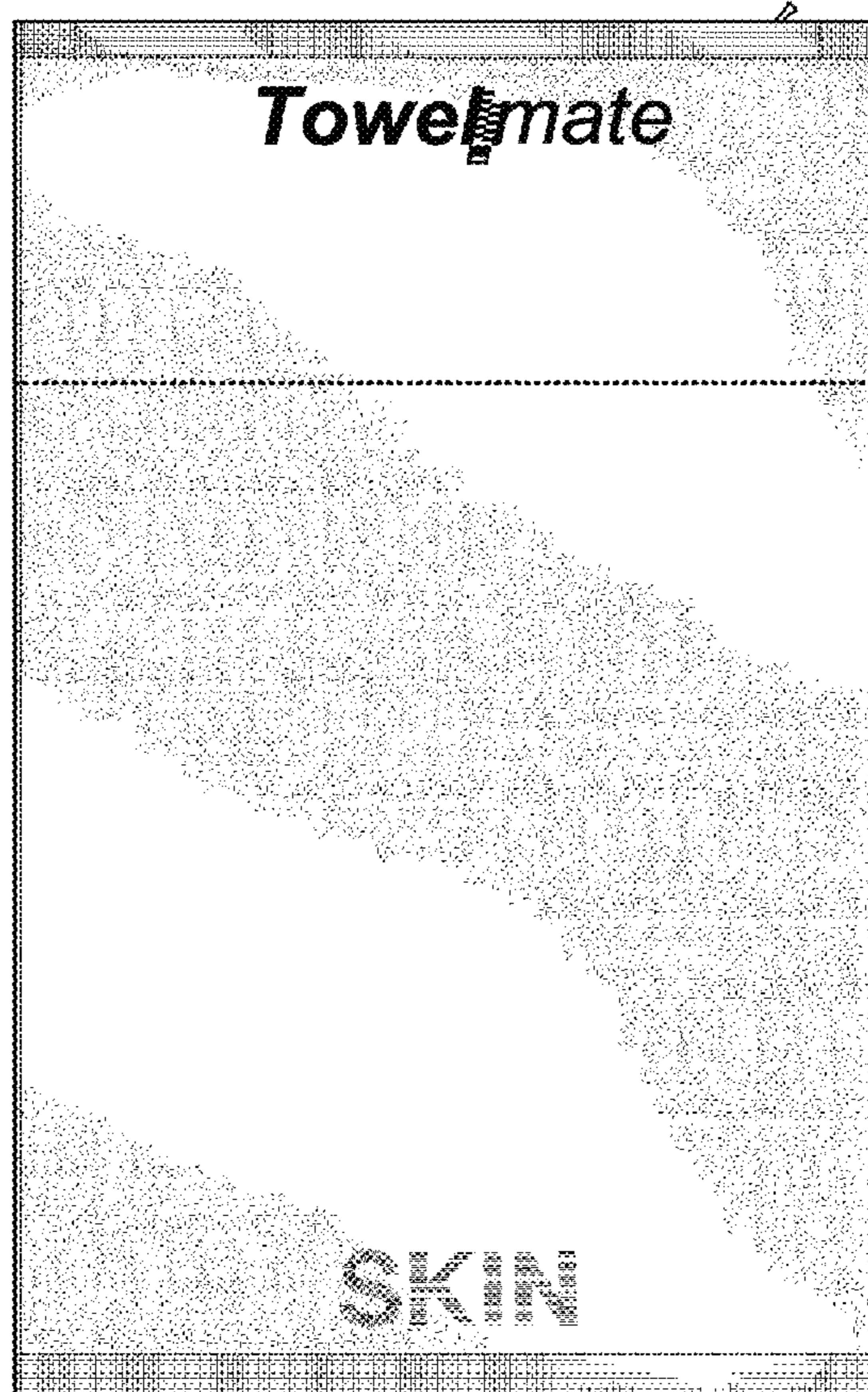
(57) **CLAIM**

The ornamental design for a gym towel, as shown and described.

DESCRIPTION

FIG. 1 is a front view of the invented towel.
 FIG. 2 is a back view of the embodiment shown in FIG. 1.
 FIG. 3 is a right side view of the embodiment shown in FIG. 1.
 FIG. 4 is a left side view of the embodiment shown in FIG. 1.
 FIG. 5 is a top view of the embodiment shown in FIG. 1.
 FIG. 6 is a bottom view of the embodiment shown in FIG. 1.
 FIG. 7 is a perspective back view of the embodiment of FIG. 1; and,
 FIG. 8 is a view of the embodiment of FIG. 1 showing appearance in one mode of use on a weight bench. The weight bench shown in dashed lines is not claimed.

1 Claim, 5 Drawing Sheets



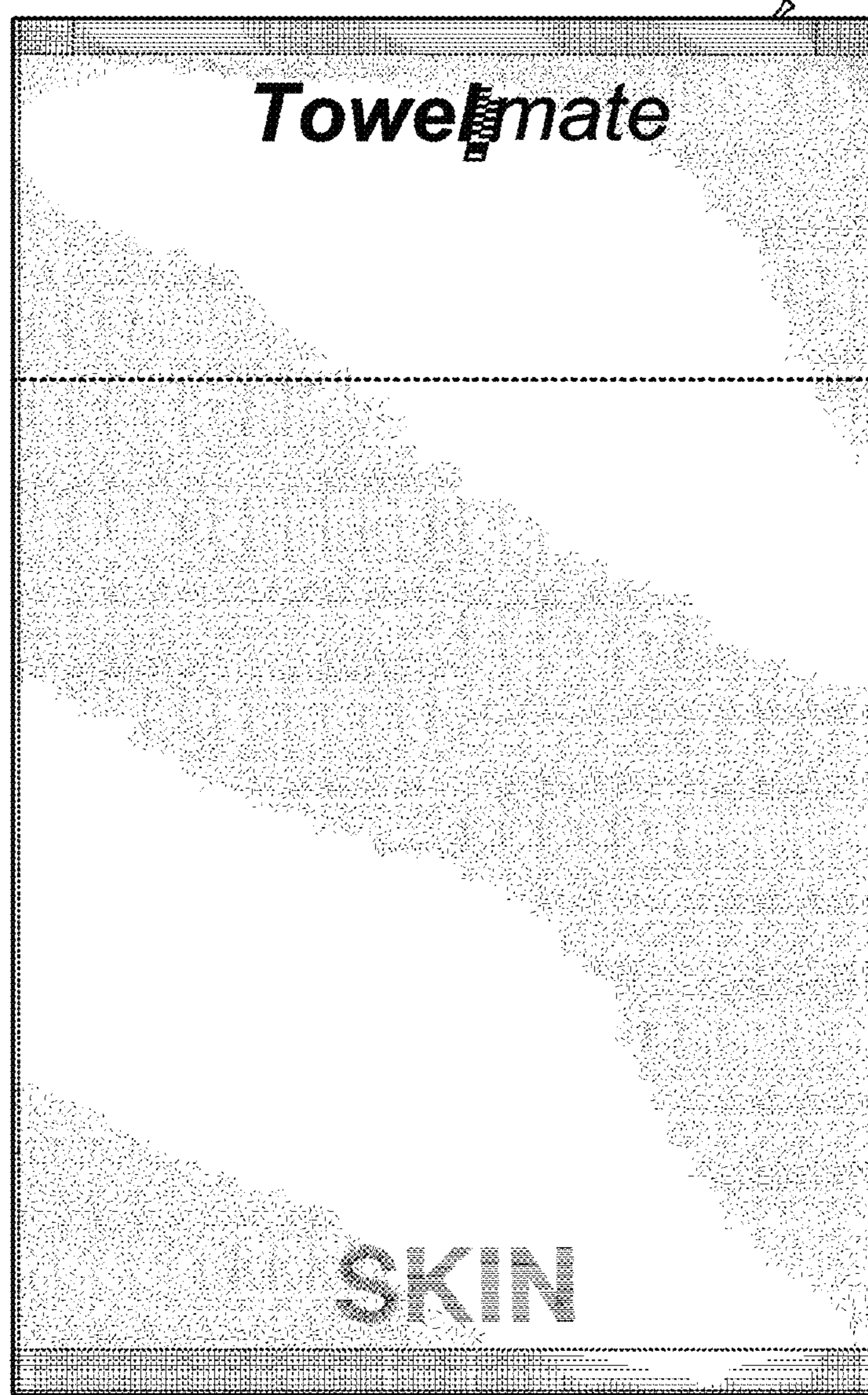


Figure 1

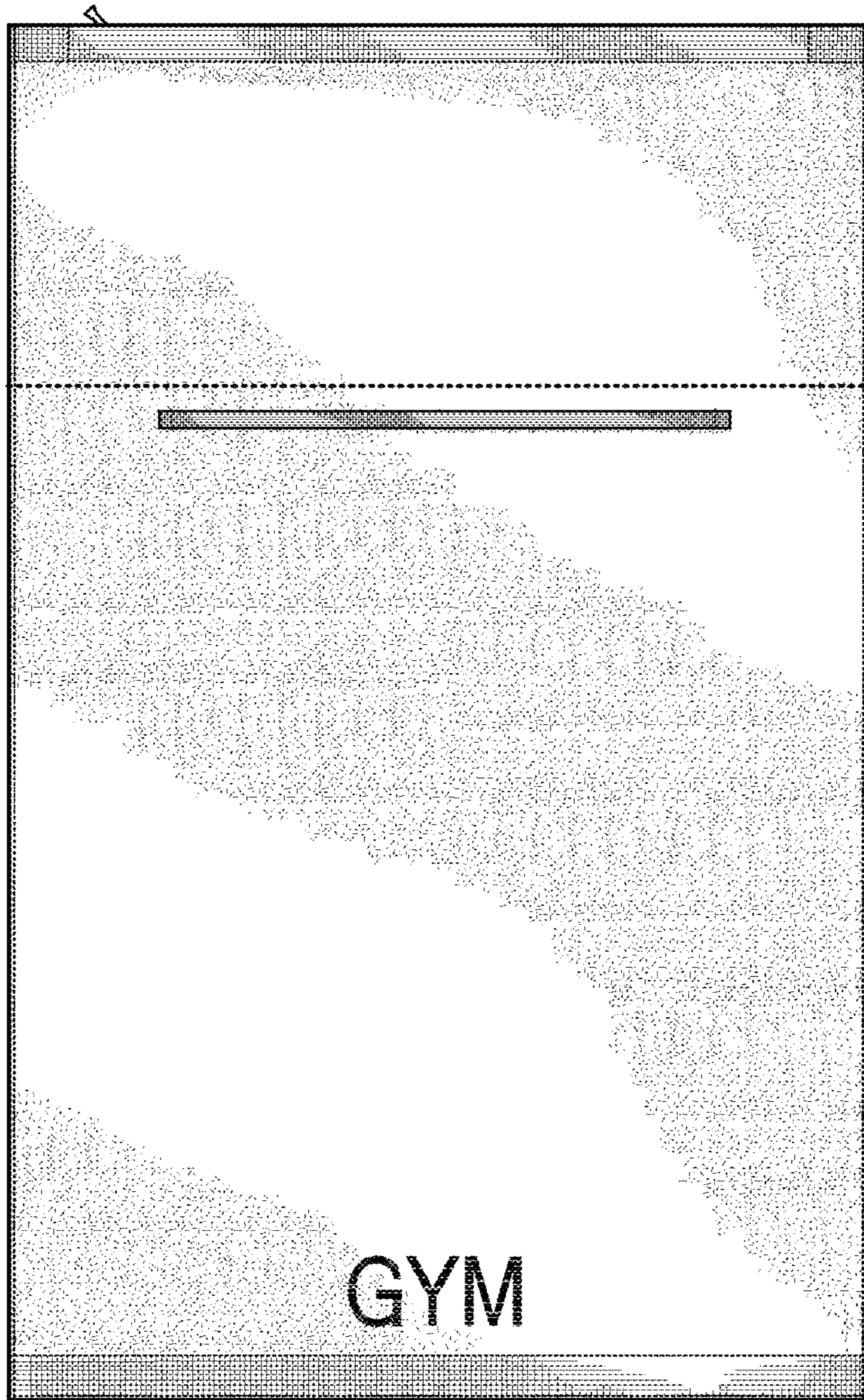


Figure 2



Figure 3



Figure 4



Figure 5



Figure 6

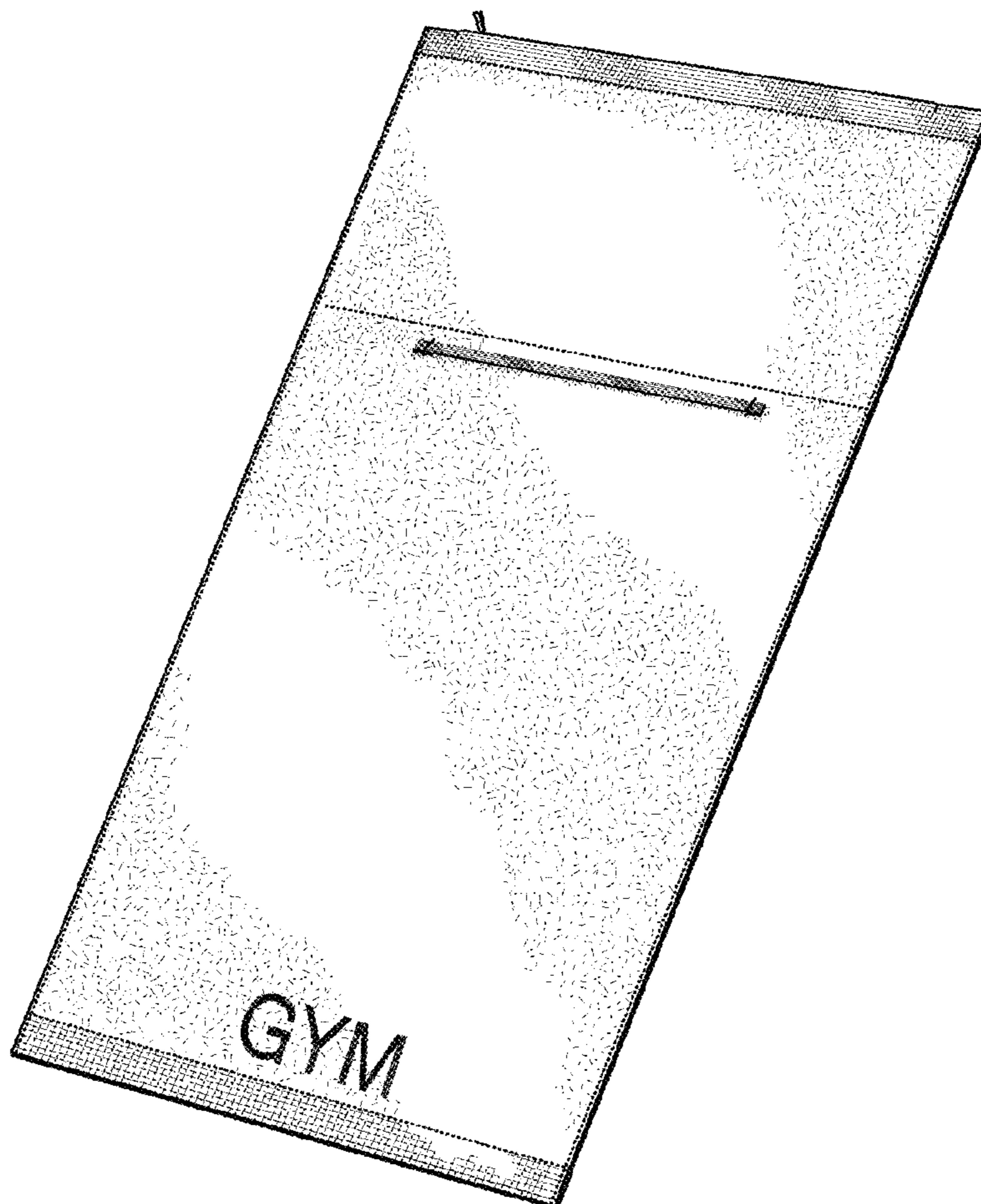


Figure 7

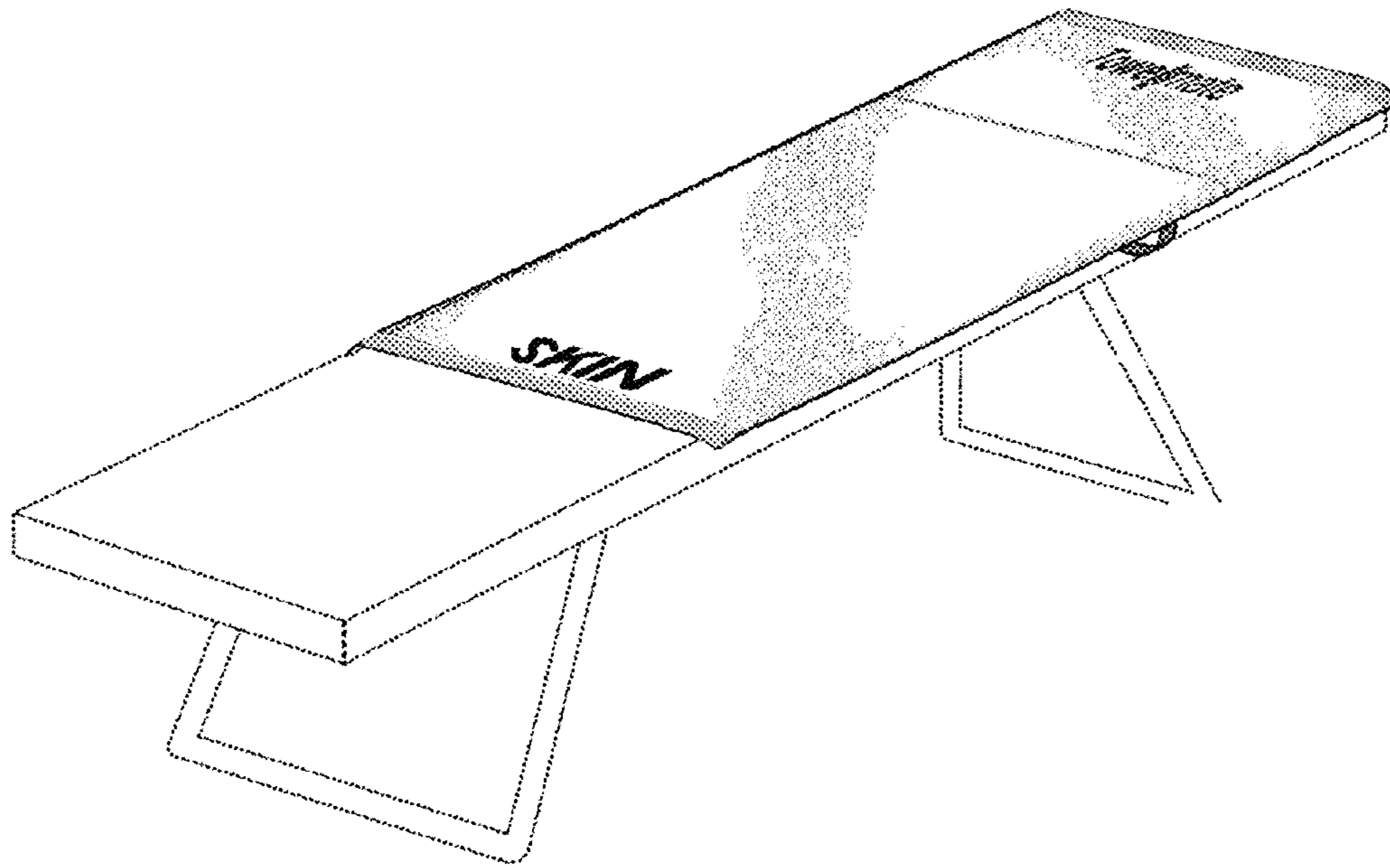


Figure 8