



US00D683165S

(12) **United States Design Patent**
Yang et al.

(10) **Patent No.:** **US D683,165 S**

(45) **Date of Patent:** **** May 28, 2013**

(54) **SHOWER CADDY**

(75) Inventors: **Frank Yang**, Rancho Palos Verdes, CA (US); **Tzu-Hao Wei**, Hacienda Heights, CA (US); **Di-Fong Chang**, Torrance, CA (US); **Myk Lum**, Irvine, CA (US); **Adam Wade**, Rancho Santa Margarita, CA (US)

(73) Assignee: **Simplehuman LLC**, Torrance, CA (US)

(**) Term: **14 Years**

(21) Appl. No.: **29/413,132**

(22) Filed: **Feb. 10, 2012**

(51) **LOC (9) Cl.** **23-02**

(52) **U.S. Cl.**

USPC **D6/525**

(58) **Field of Classification Search**

USPC D6/524, 525, 566, 536, 540; 211/13.1, 211/74, 71.01, 86.01, 75, 88.01, 90.01, 90.03, 211/106, 119, 126.1, 133.5, 181.1, 134

See application file for complete search history.

(56) **References Cited**

U.S. PATENT DOCUMENTS

D429,934 S * 8/2000 Hofman D6/525
D543,747 S * 6/2007 Harwanko D6/525

D568,658 S * 5/2008 Yang et al. D6/525
D569,148 S * 5/2008 Yang et al. D6/525
D573,386 S * 7/2008 Clucas D6/525
D573,387 S * 7/2008 Walker D6/525
D622,990 S * 9/2010 Yang et al. D6/525
D651,837 S * 1/2012 Yang et al. D6/525

* cited by examiner

Primary Examiner — Brian N Vinson

(74) *Attorney, Agent, or Firm* — Liu & Liu

(57) **CLAIM**

The ornamental design for a shower caddy, as shown and described.

DESCRIPTION

FIG. 1 is a front perspective view of a shower caddy showing our new design;

FIG. 2 is a front view thereof;

FIG. 3 is a rear view thereof;

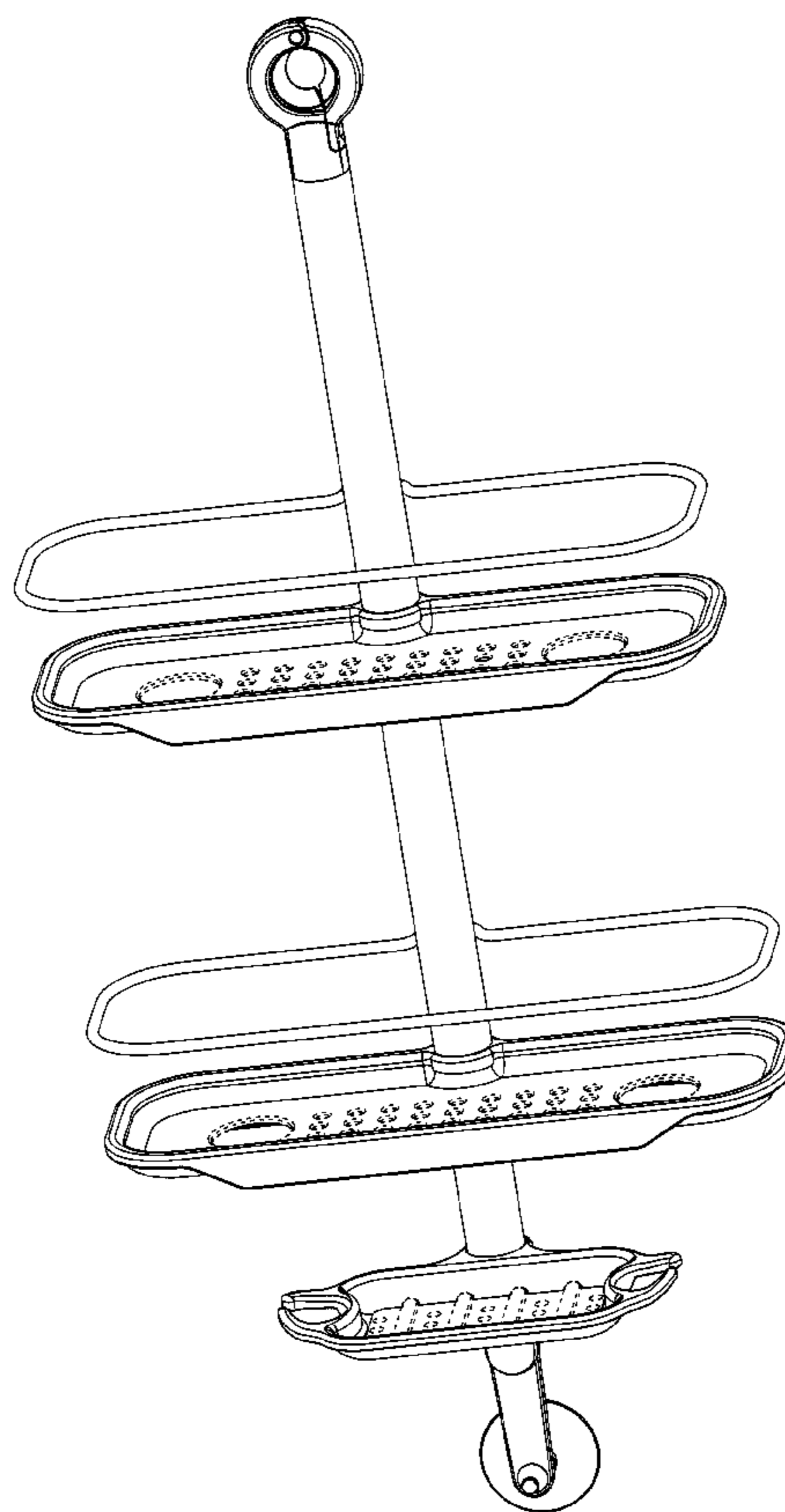
FIG. 4 is a right side view thereof (the left side view is a mirror image thereof);

FIG. 5 is a top plan view thereof; and,

FIG. 6 is a bottom plan view thereof.

The broken lines in the figures illustrate features that form no part of the claimed design.

1 Claim, 6 Drawing Sheets



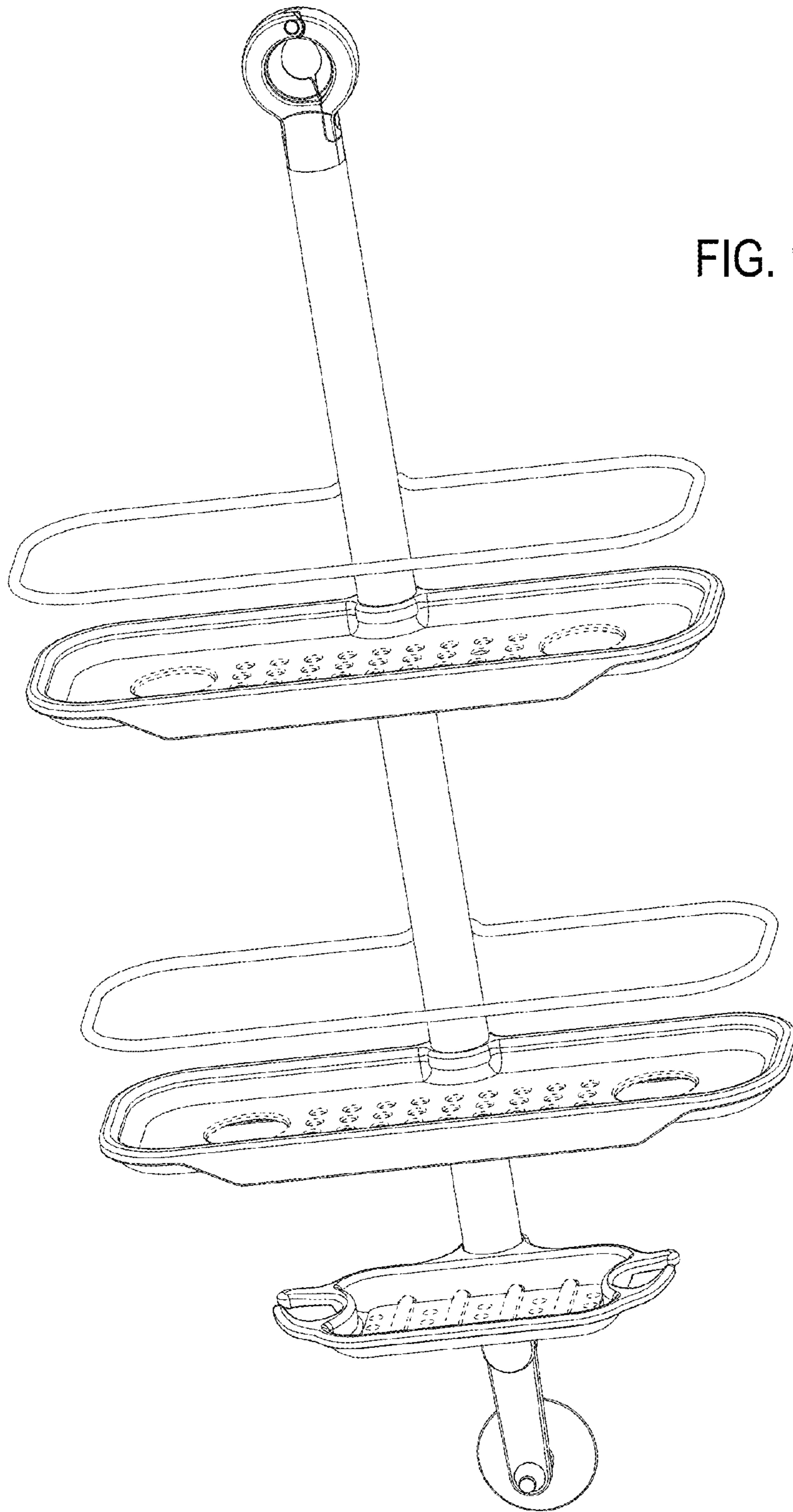


FIG. 1

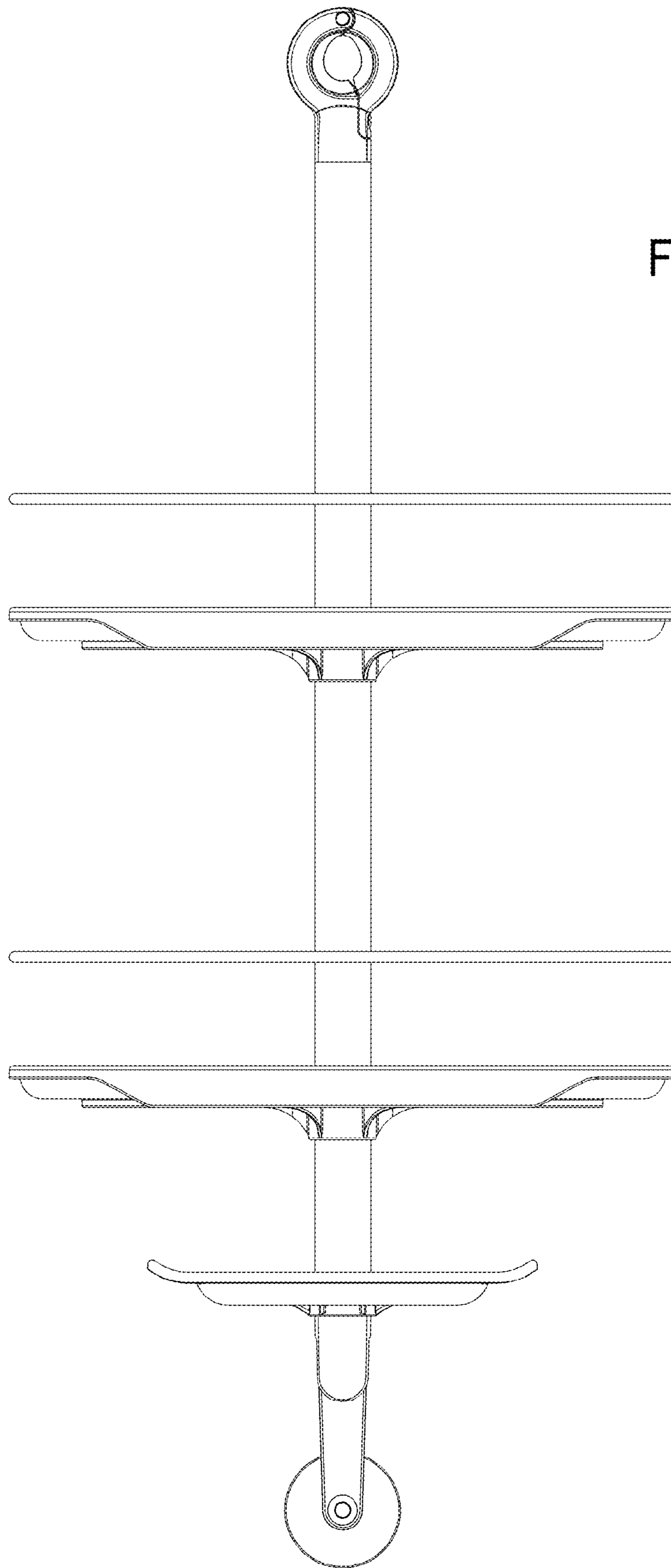


FIG. 2

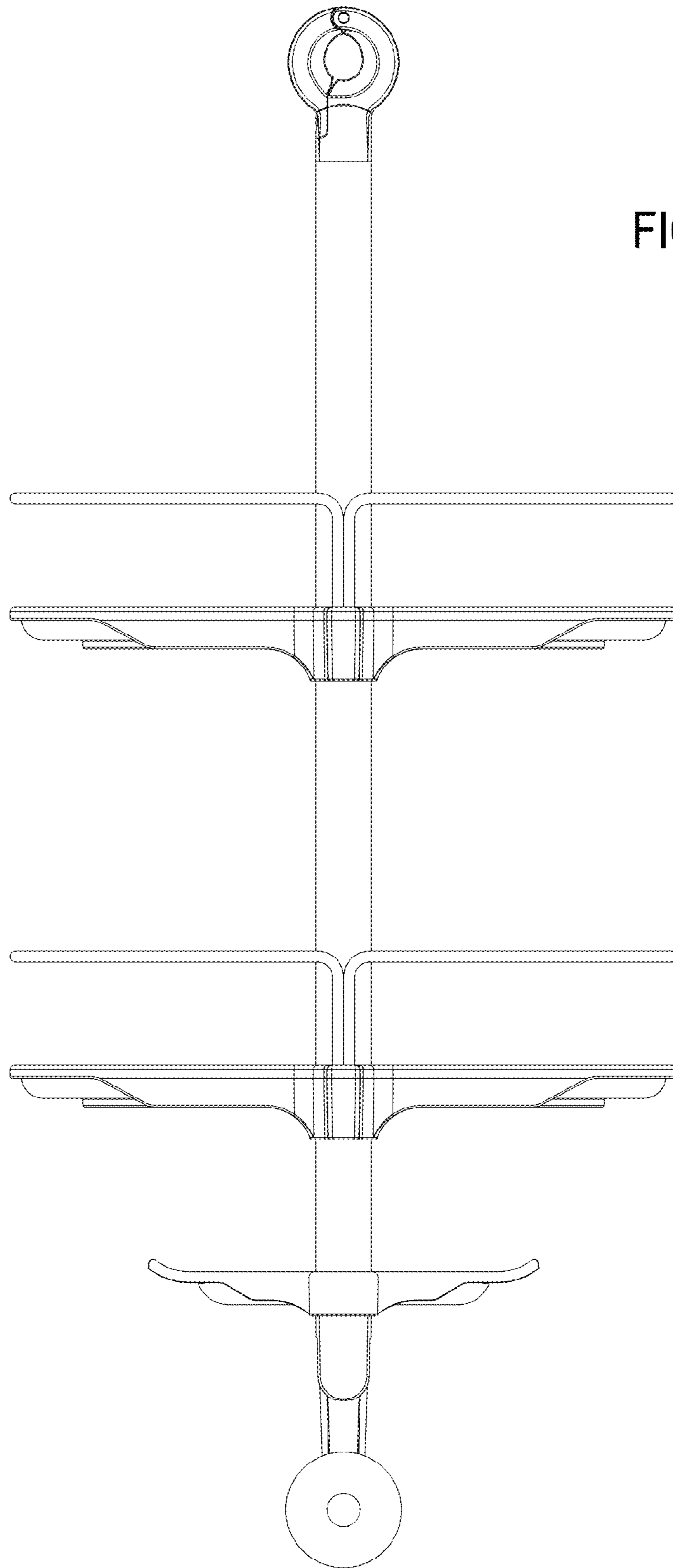


FIG. 3

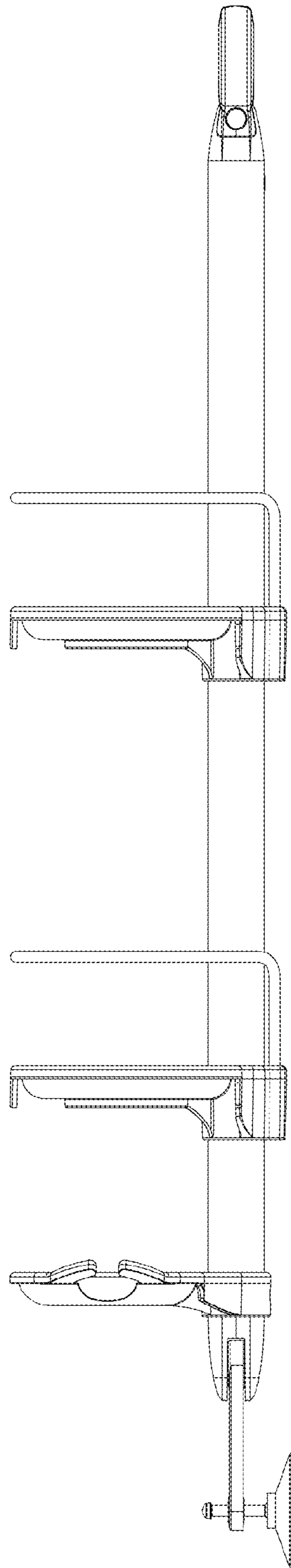


FIG. 4

FIG. 5

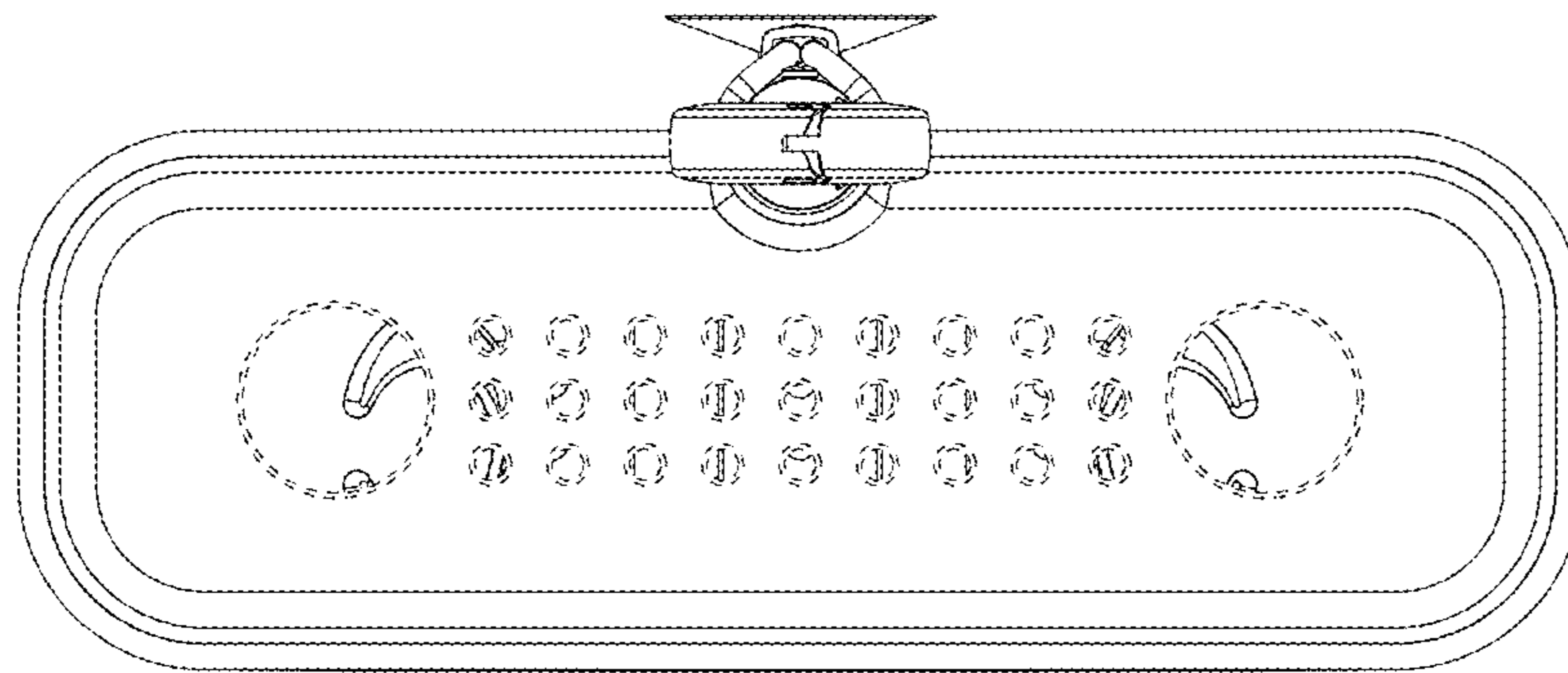


FIG. 6

