



US00D683164S

(12) **United States Design Patent**
Fontana et al.

(10) **Patent No.:** **US D683,164 S**

(45) **Date of Patent:** **** May 28, 2013**

(54) **HOLDING DEVICE FOR ROLLING REUSABLE SHOPPING BAGS**

(76) Inventors: **James T. Fontana**, Chino Hills, CA (US); **Lori A. Pearce**, Chino Hills, CA (US)

(**) **Term:** **14 Years**

(21) **Appl. No.:** **29/428,788**

(22) **Filed:** **Aug. 3, 2012**

(51) **LOC (9) Cl.** **20-02**

(52) **U.S. Cl.**
USPC **D6/518**

(58) **Field of Classification Search**
USPC D6/515, 518-523; D3/201; 206/389, 206/391, 407, 409; 312/34.1, 34.8; 211/16, 211/85.5, 59.2; 221/92, 97, 185, 282, 284; 242/159, 160.2, 550, 560, 590, 594, 59, 588, 242/598, 598.3, 598.65

See application file for complete search history.

(56) **References Cited**

U.S. PATENT DOCUMENTS

D337,013	S *	7/1993	Poliandro	D6/518
D341,968	S *	12/1993	Kumerfield	D6/520
D356,458	S *	3/1995	Wobschall	D6/518
5,934,535	A	8/1999	Kannankeril et al.		
D426,991	S *	6/2000	Kent, Jr.	D6/518
6,685,075	B1	2/2004	Kannankeril		

7,338,008	B1	3/2008	Jenkins		
D569,144	S *	5/2008	Mapp	D6/518
D617,592	S *	6/2010	Urquiola	D6/518
2006/0169829	A1	8/2006	Slocum et al.		
2011/0073629	A1	3/2011	Tseng		

OTHER PUBLICATIONS

Bag-On-A-Roll-Dispenser. Bagsonaroll.com. http://www.bagsonaroll.com/BagOnARollDispenser/M/B0013TVPRE.htm?traffic_src=froogle&utm_medium=CSE&utm_source=froogle.

* cited by examiner

Primary Examiner — Brian N Vinson

(74) *Attorney, Agent, or Firm* — Robert C. Montgomery; Montgomery Patent & Design

(57) **CLAIM**

The ornamental design for a holding device for rolling reusable shopping bags, as shown and described.

DESCRIPTION

FIG. 1 is a perspective front view of a holding device for rolling reusable shopping bags, showing our new design; FIG. 2 is a front view thereof with a rear view being a mirror image;

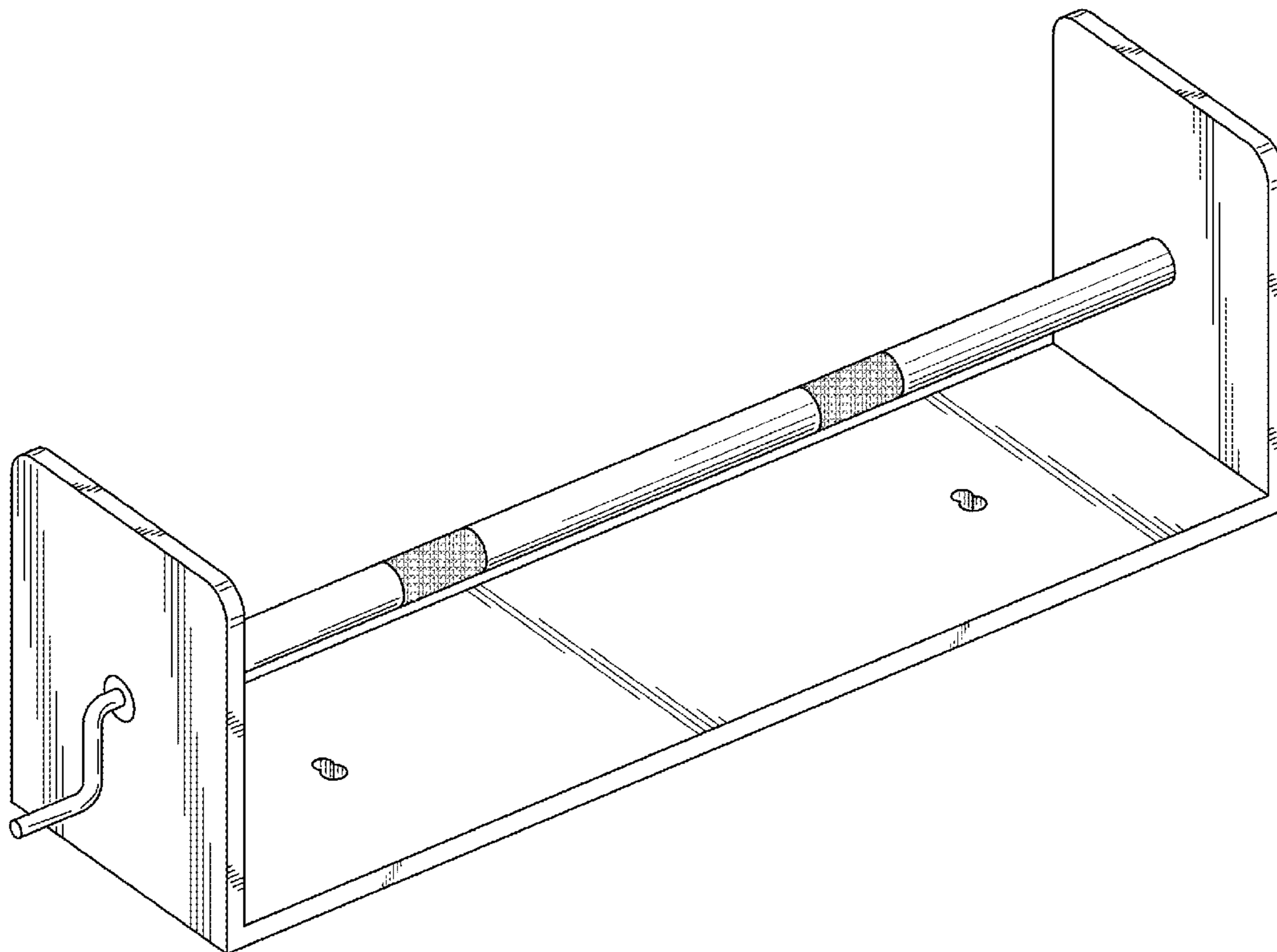
FIG. 3 is a left side view thereof;

FIG. 4 is a right side view thereof;

FIG. 5 is a top view thereof; and,

FIG. 6 is a bottom view thereof.

1 Claim, 5 Drawing Sheets



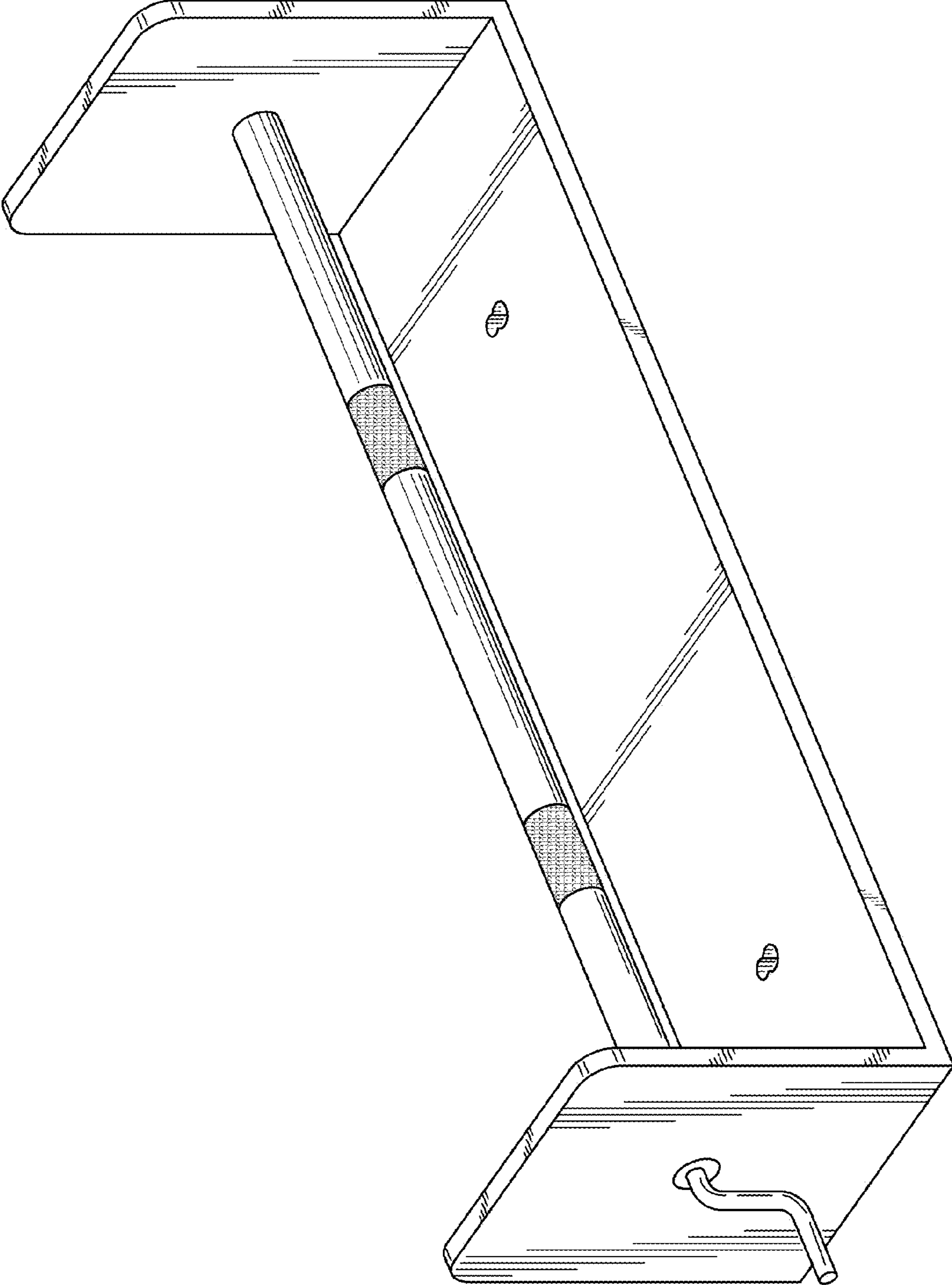


Fig. 1

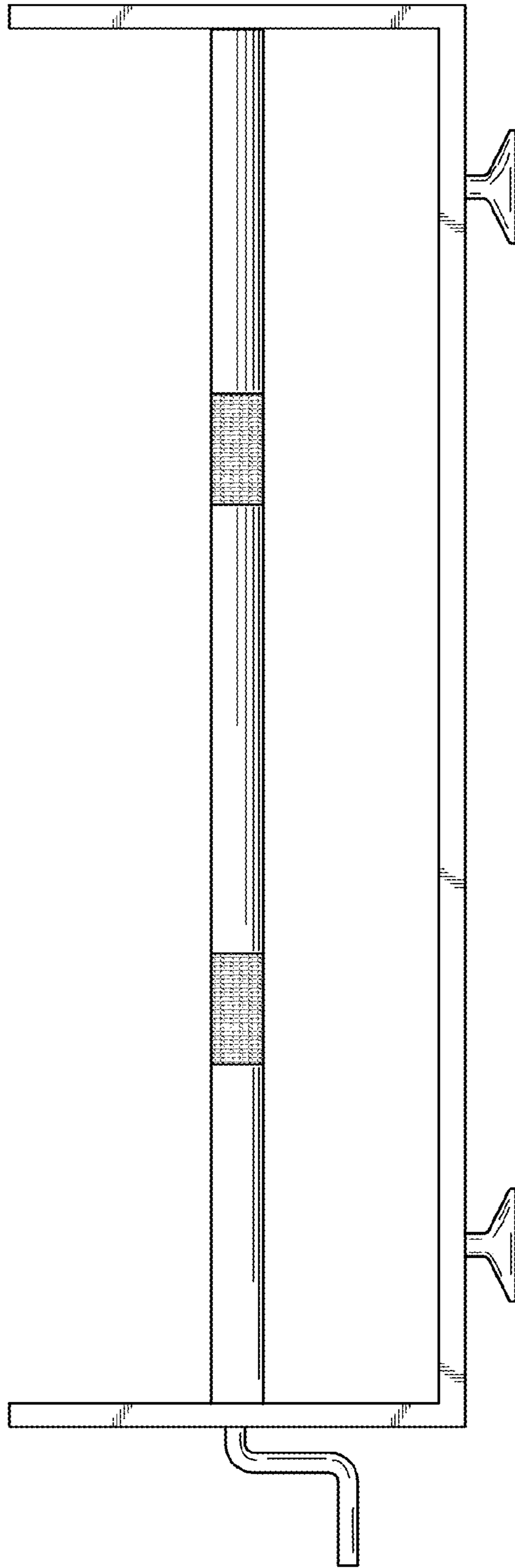


Fig. 2

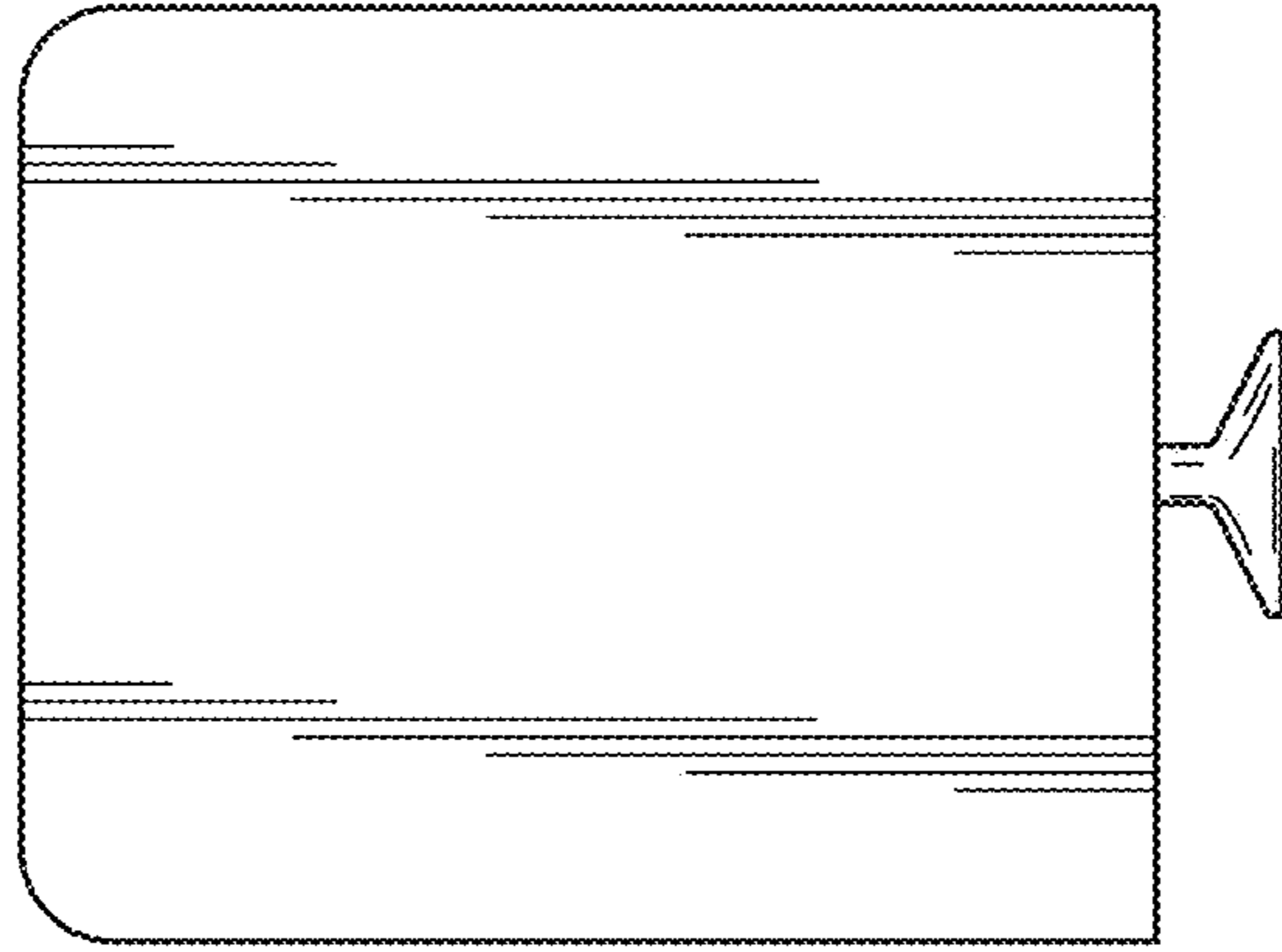


Fig. 4

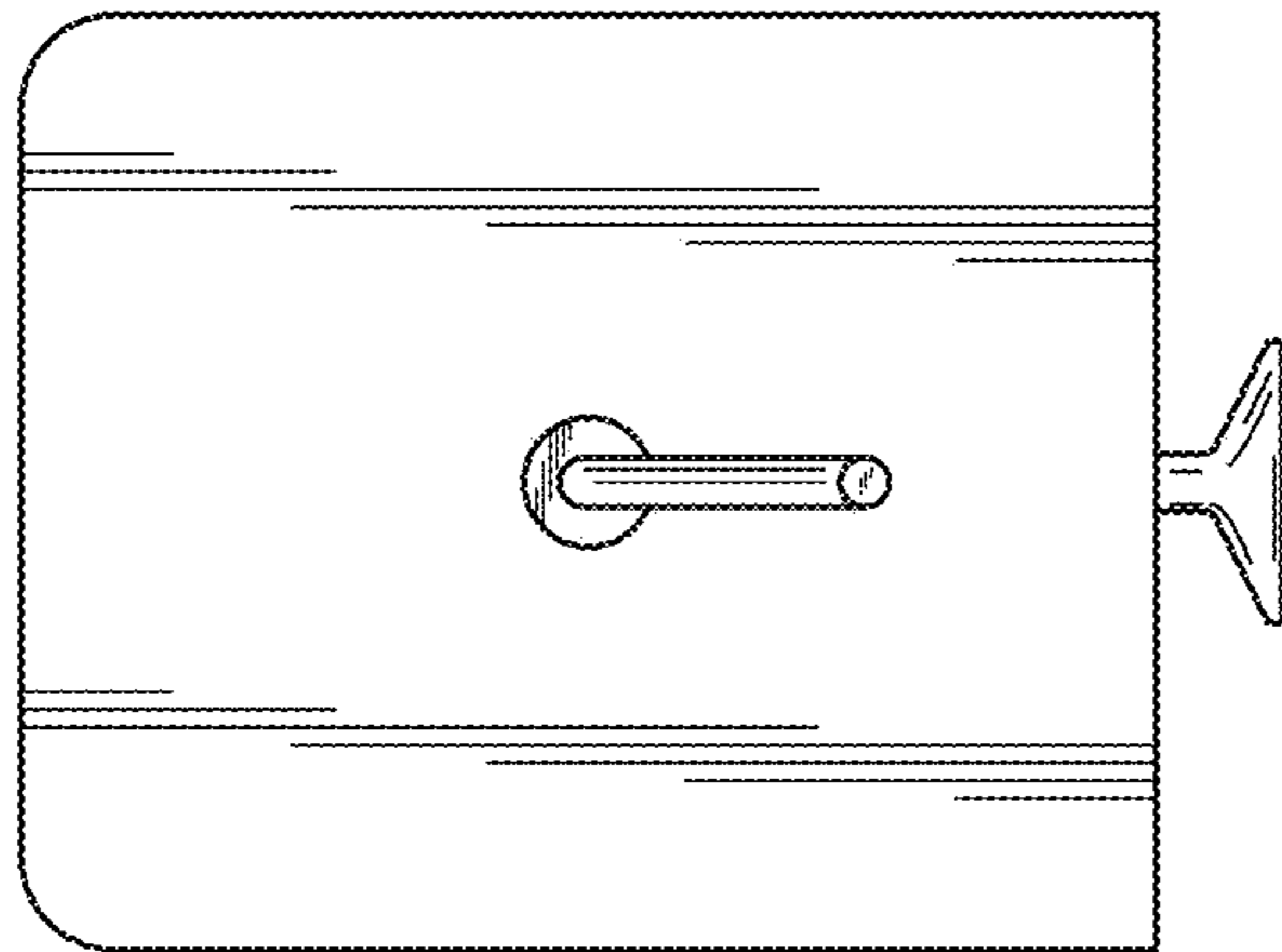


Fig. 3

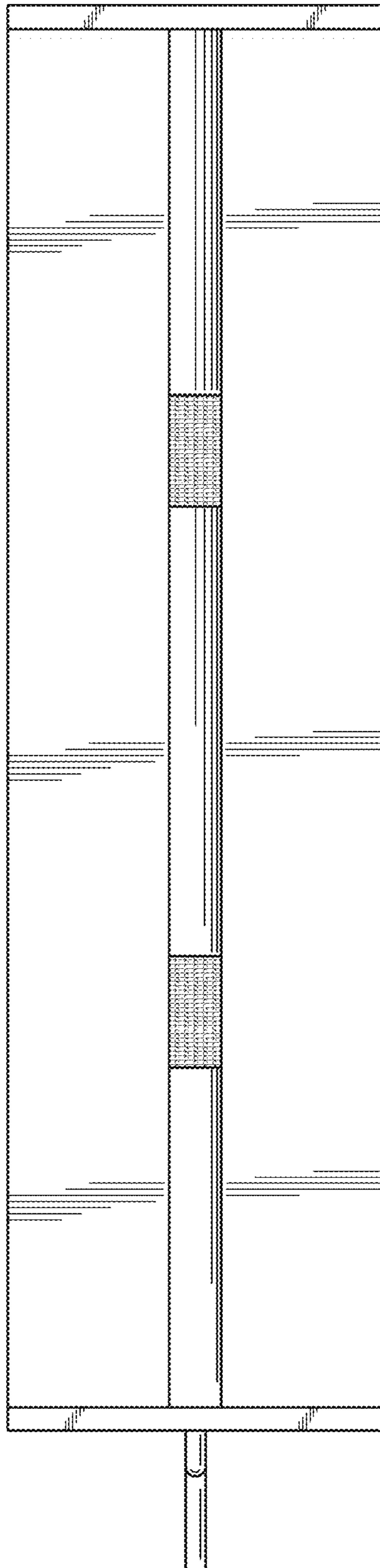


Fig. 5

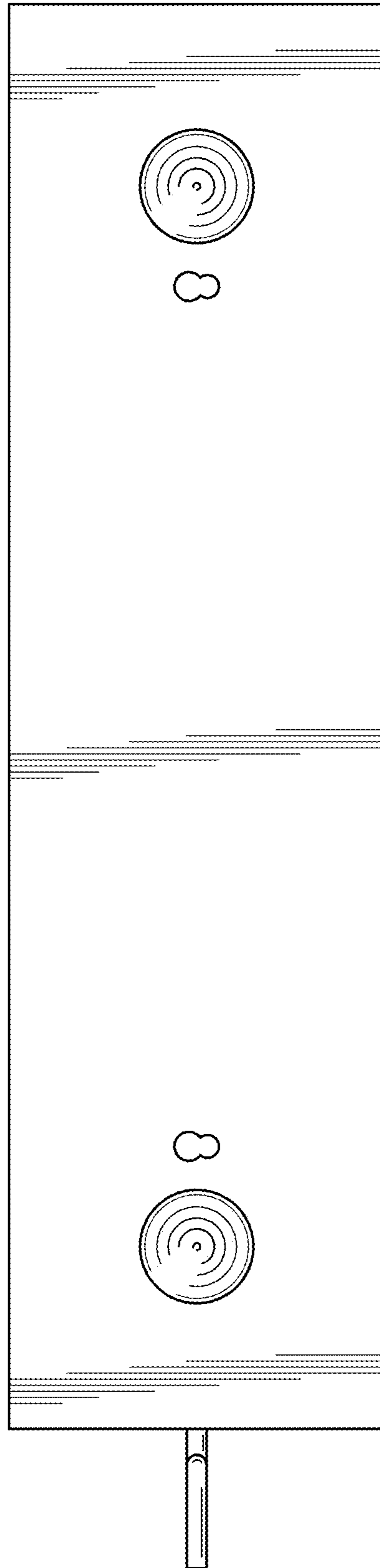


Fig. 6