



US00D683162S

(12) **United States Design Patent**  
**Clement et al.**

(10) **Patent No.:** **US D683,162 S**

(45) **Date of Patent:** **\*\* May 28, 2013**

(54) **SEAT PAN FOR A CHILD BOOSTER SEAT**

(71) Applicant: **SKJP Holdings, LLC**, Puyallup, WA  
(US)

(72) Inventors: **David Clement**, Colorado Springs, CO  
(US); **Russell Berger**, Needham, MA  
(US)

(73) Assignee: **SKJP Holdings, LLC**, Puyallup, WA  
(US)

(\*\*) Term: **14 Years**

(21) Appl. No.: **29/436,014**

(22) Filed: **Oct. 31, 2012**

(51) **LOC (9) Cl.** ..... **06-01**

(52) **U.S. Cl.**  
USPC ..... **D6/501**

(58) **Field of Classification Search**  
USPC ..... D6/333-336, 339-341, 344, 381,  
D6/491, 500-502; 297/250.1, 255, 256.15,  
297/183.1-183.4, 184.15, 184.17, 256.16;  
D12/129-130, 133; 5/94, 98.2, 103-104,  
5/655, 655.3; D21/419; 280/30-31  
See application file for complete search history.

(56) **References Cited**

**U.S. PATENT DOCUMENTS**

D360,307 S \* 7/1995 Kain ..... D6/333  
D461,646 S \* 8/2002 Kain ..... D6/333

D529,319 S \* 10/2006 Shibata et al. .... D6/502  
D560,375 S \* 1/2008 Grohs ..... D6/333  
D626,758 S \* 11/2010 Hartenstine et al. .... D6/339  
D630,448 S \* 1/2011 Xu et al. .... D6/333  
D662,720 S \* 7/2012 Gillett et al. .... D6/333

\* cited by examiner

*Primary Examiner* — Caron D. Veynar

*Assistant Examiner* — Abraham Bahta

(74) *Attorney, Agent, or Firm* — Barlow, Josephs & Holmes,  
Ltd.

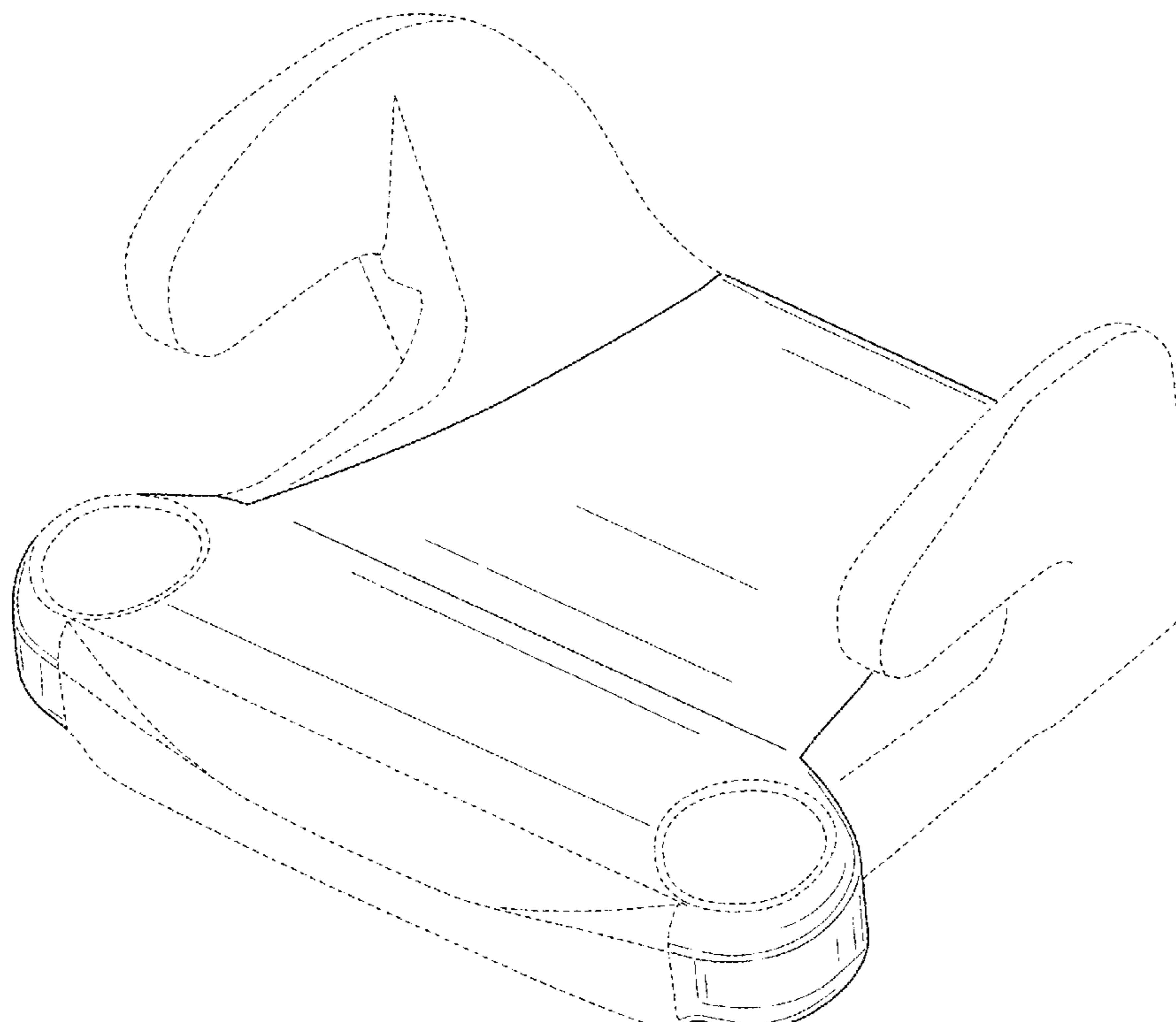
(57) **CLAIM**

The ornamental design for a seat pan for a child booster seat,  
as shown and described.

**DESCRIPTION**

FIG. 1 is a perspective view of a seat pan for a child booster seat; the broken lines of armrests, cup receptacles and front portion forming no part of the invention;  
FIG. 2 is a front view thereof;  
FIG. 3 is a rear view thereof;  
FIG. 4 is a left view thereof;  
FIG. 5 is a right view thereof;  
FIG. 6 is a top view thereof;  
FIG. 7 is a bottom view thereof; and,  
FIG. 8 is a perspective view of the seat pan for a child booster seat of FIG. 1 in the environment including a seat back; the broken lines of armrests, cup receptacles, front portion and seat back forming no part of the invention.

**1 Claim, 6 Drawing Sheets**



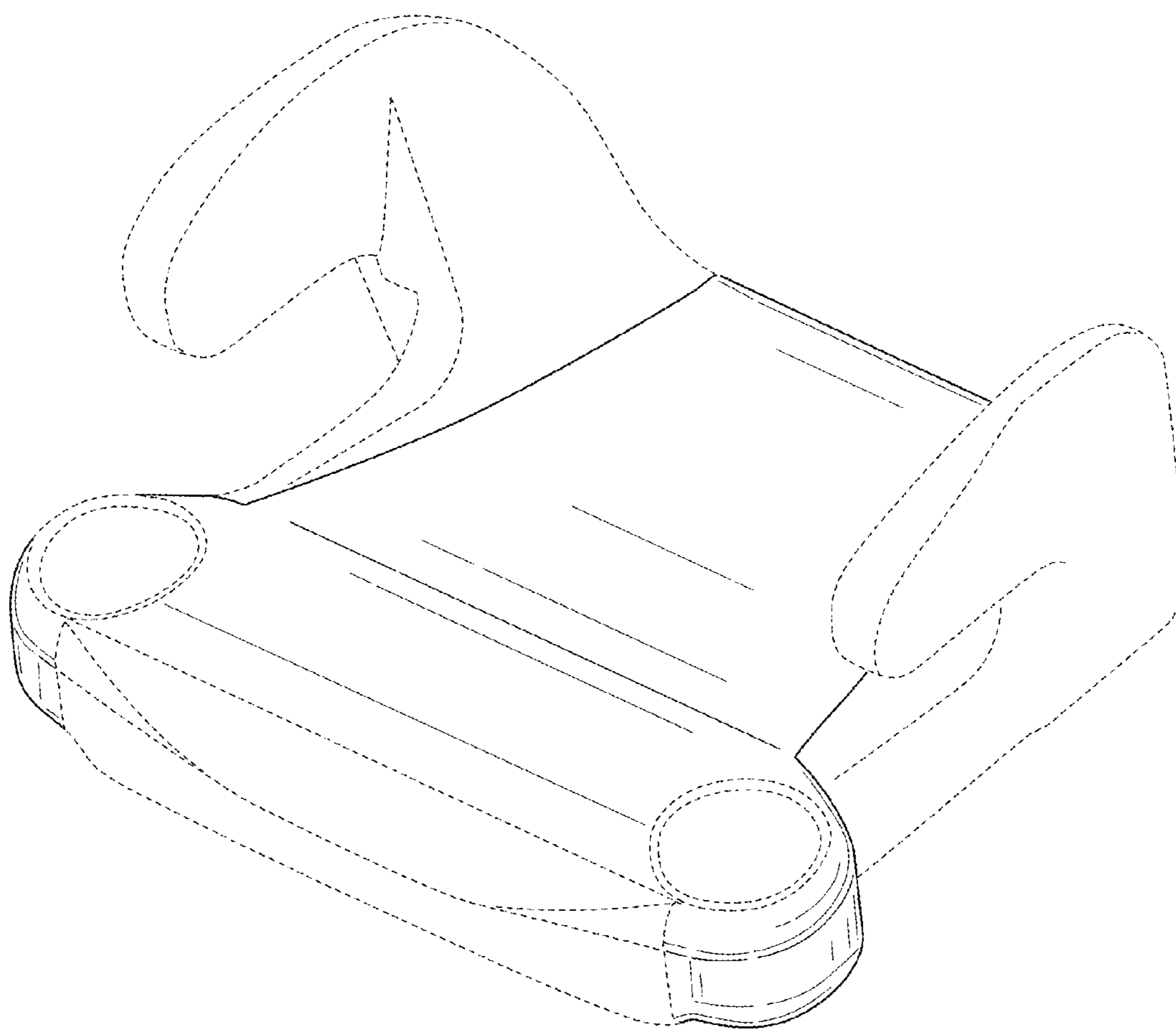


FIG. 1

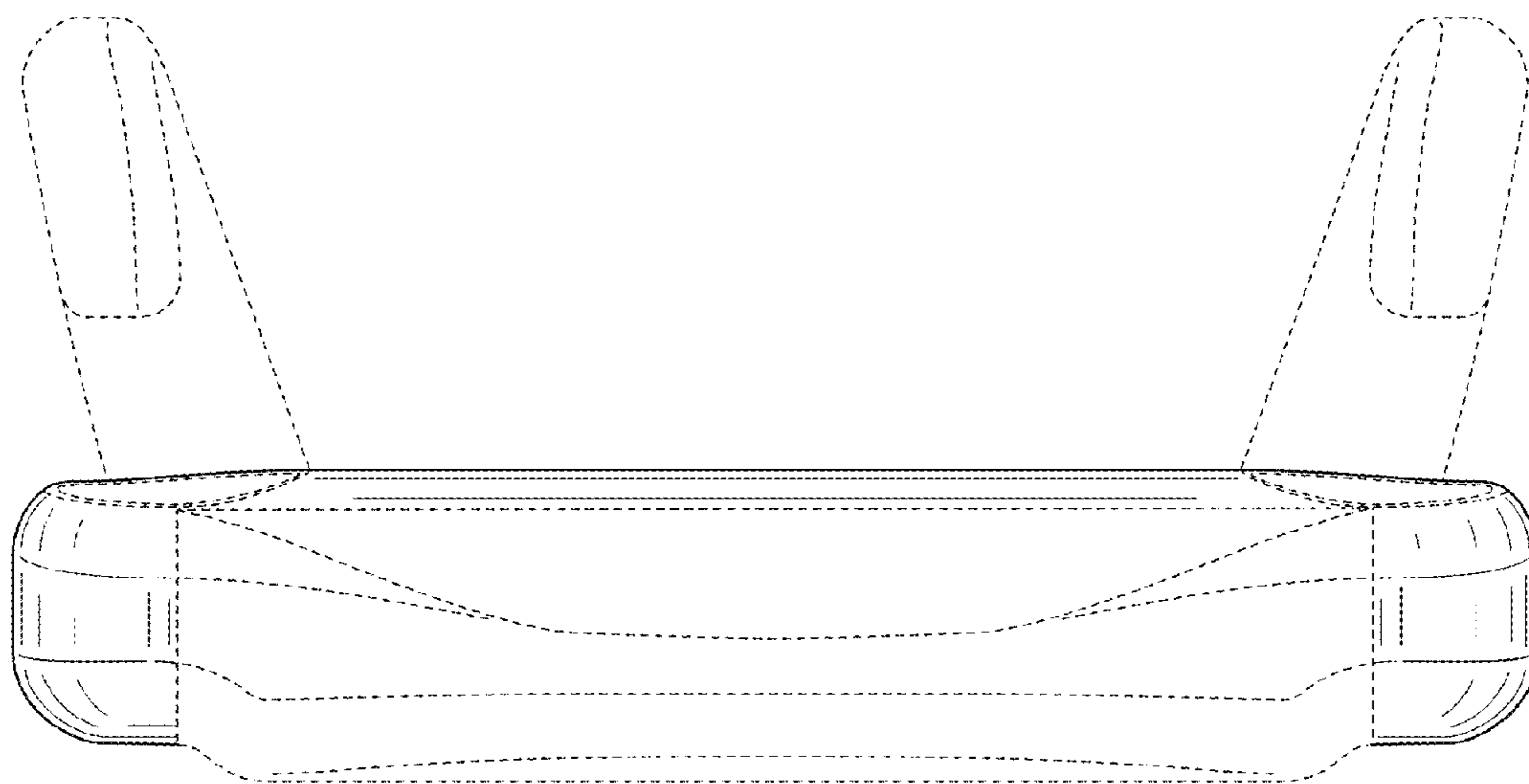


FIG. 2

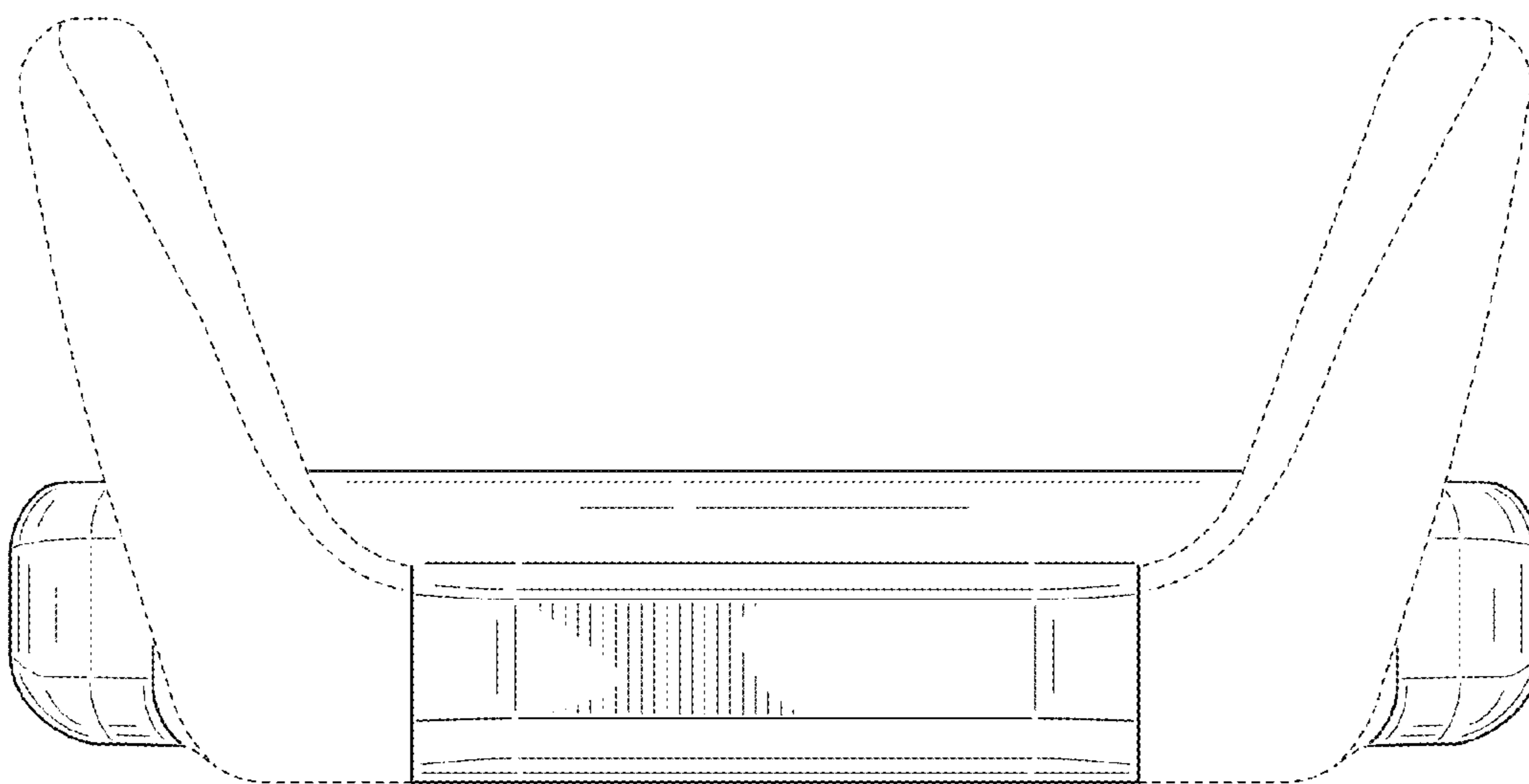
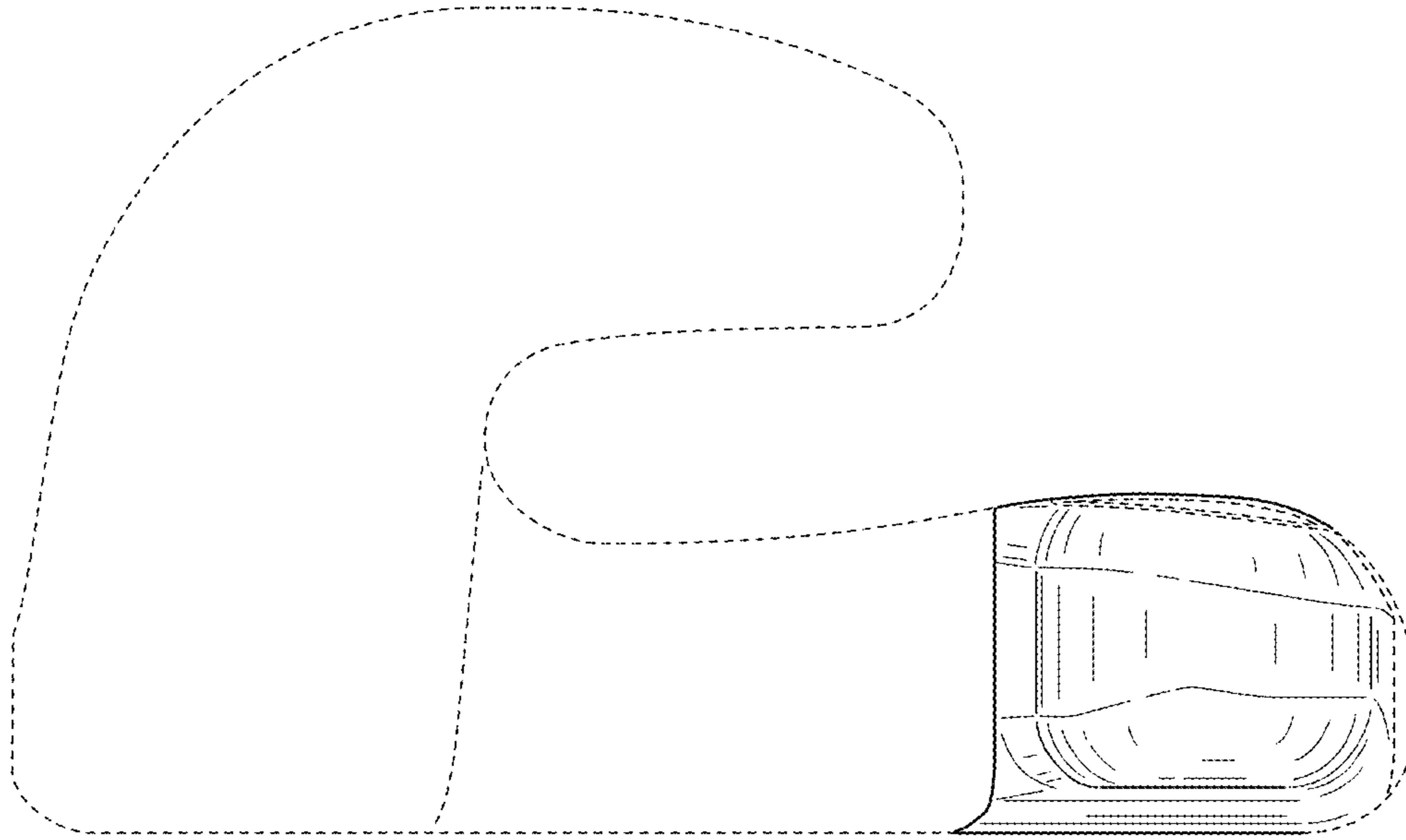
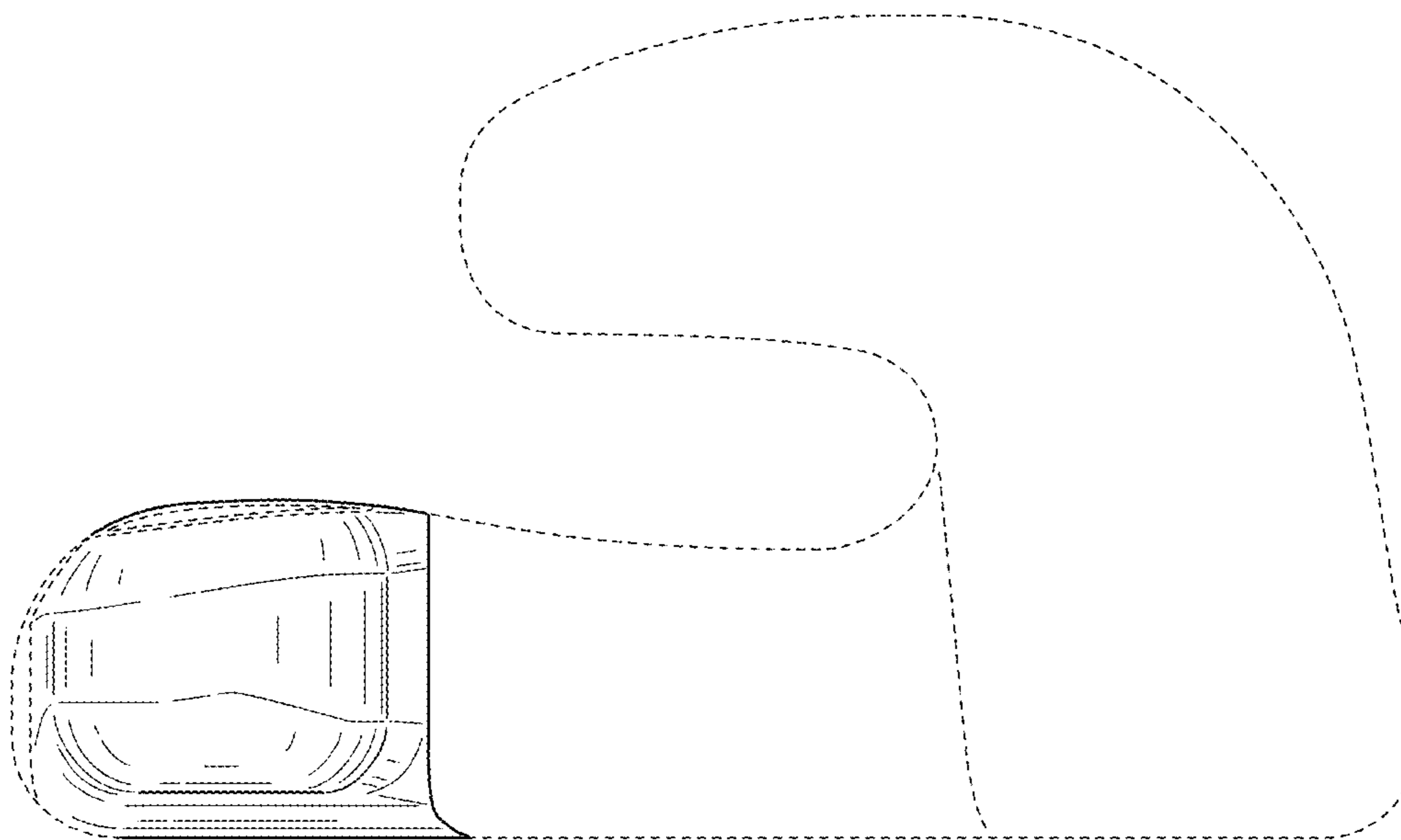


FIG. 3



**FIG. 4**



**FIG. 5**

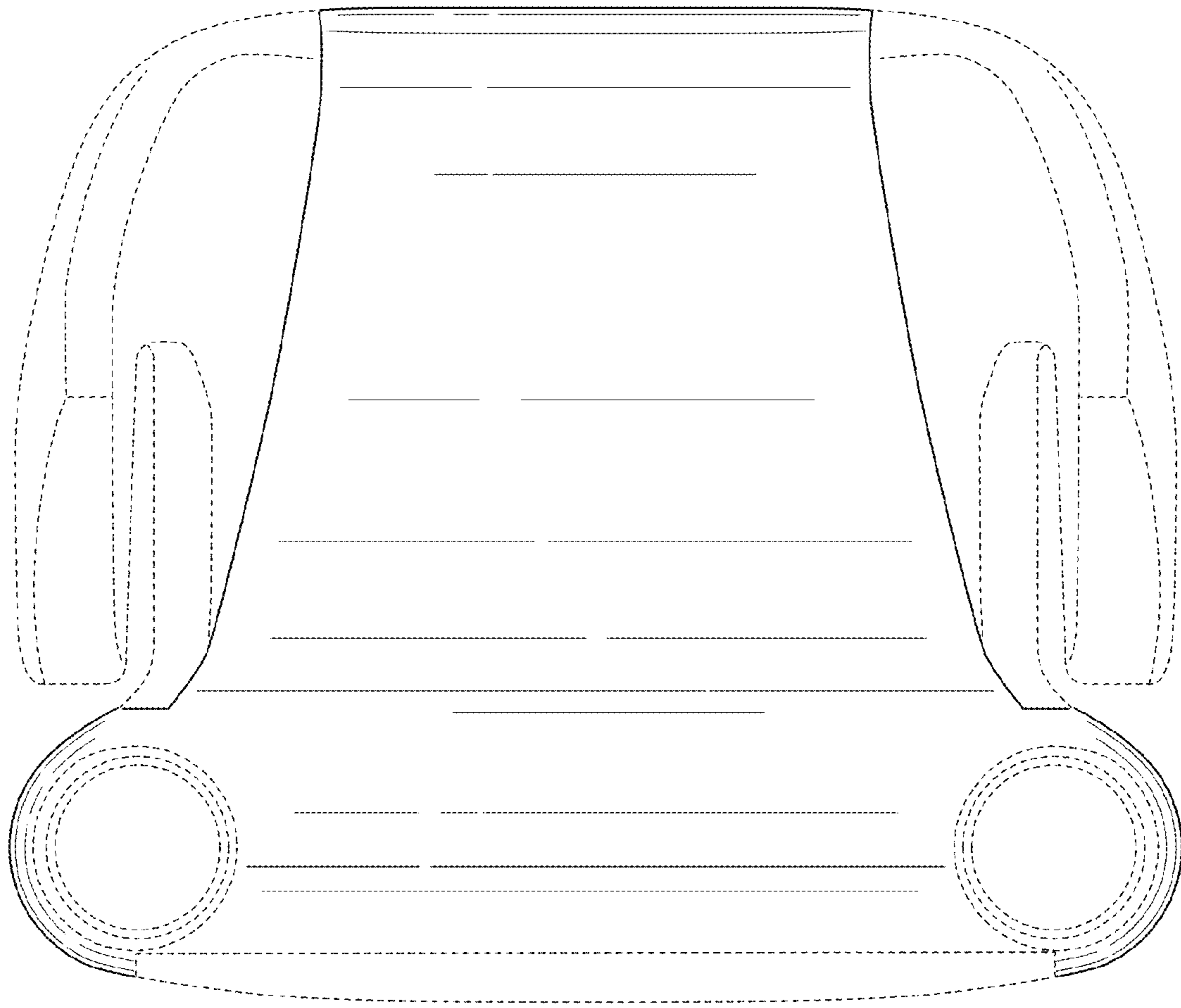


FIG. 6

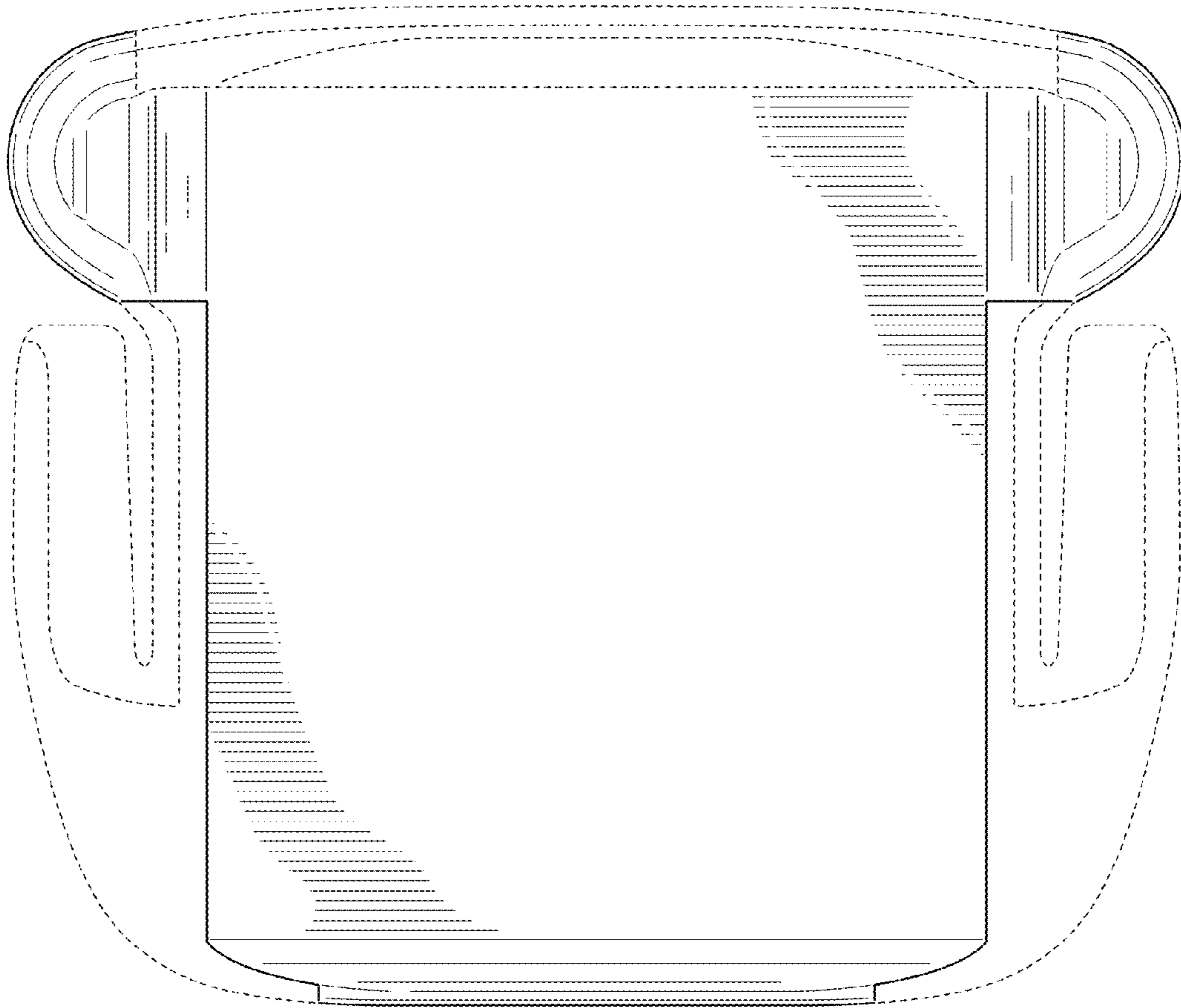


FIG. 7

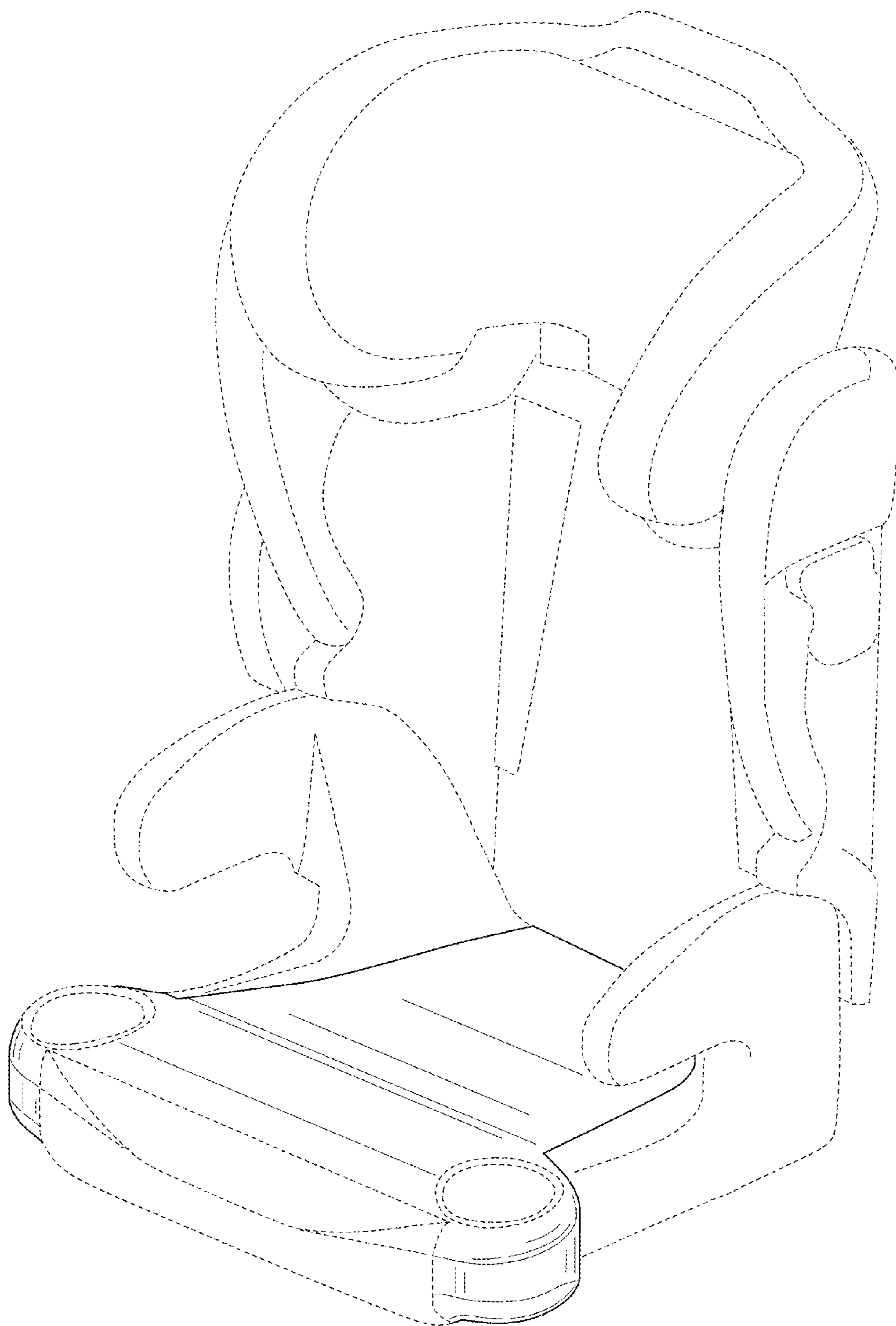


FIG. 8