



US00D683159S

(12) **United States Design Patent**
Plikat et al.

(10) **Patent No.:** **US D683,159 S**

(45) **Date of Patent:** **** May 28, 2013**

(54) **PARTITION**

- (75) Inventors: **Claudia Plikat**, Berlin (DE); **Johann Burkhard Schmitz**, Berlin (DE); **Carola Zwick**, Berlin (DE); **Roland Zwick**, Berlin (DE)
- (73) Assignee: **Herman Miller, Inc.**, Zeeland, MI (US)
- (**) Term: **14 Years**
- (21) Appl. No.: **29/426,751**
- (22) Filed: **Jul. 10, 2012**

Related U.S. Application Data

- (62) Division of application No. 29/379,704, filed on Nov. 23, 2010, now Pat. No. Des. 665,196.

(30) **Foreign Application Priority Data**

- Jun. 12, 2010 (DE) 40 2010 003 174
- (51) **LOC (9) Cl.** **06-04**
- (52) **U.S. Cl.**
USPC **D6/468**
- (58) **Field of Classification Search**
USPC D6/468; 312/11, 125, 135; 211/128-129, 211/131, 163, 50, 189, 58; D19/75, 78, 90-61; 40/124.2, 776, 761, 657, 729, 771; 248/450, 248/473
See application file for complete search history.

(56) **References Cited**

U.S. PATENT DOCUMENTS

- D53,058 S * 3/1919 Weinberg D6/455
 - 1,647,889 A 11/1927 Saunders
- (Continued)

FOREIGN PATENT DOCUMENTS

- DE 2345934 A1 3/1975
 - DE 202004008322 U1 7/2004
- (Continued)

OTHER PUBLICATIONS

Apartment Therapy, "Good Questions: Stepped Room Divider?", 1 page.

(Continued)

Primary Examiner — Robert Delehanty

(74) *Attorney, Agent, or Firm* — Brinks Hofer Gilson & Lione

(57) **CLAIM**

The ornamental design for a partition, as shown and described.

DESCRIPTION

FIG. 1 is a perspective view of a first embodiment of a partition;

FIG. 2 is a front view of the partition shown in FIG. 1;

FIG. 3 is a rear view of the partition shown in FIG. 1;

FIG. 4 is a left side view of the partition shown in FIG. 1;

FIG. 5 is a right side view of the partition shown in FIG. 1;

FIG. 6 is a top view of the partition shown in FIG. 1;

FIG. 7 is a bottom view of the partition shown in FIG. 1;

FIG. 8 is a perspective view of a second embodiment of a partition;

FIG. 9 is a front view of the partition shown in FIG. 8;

FIG. 10 is a rear view of the partition shown in FIG. 8;

FIG. 11 is a left side view of the partition shown in FIG. 8;

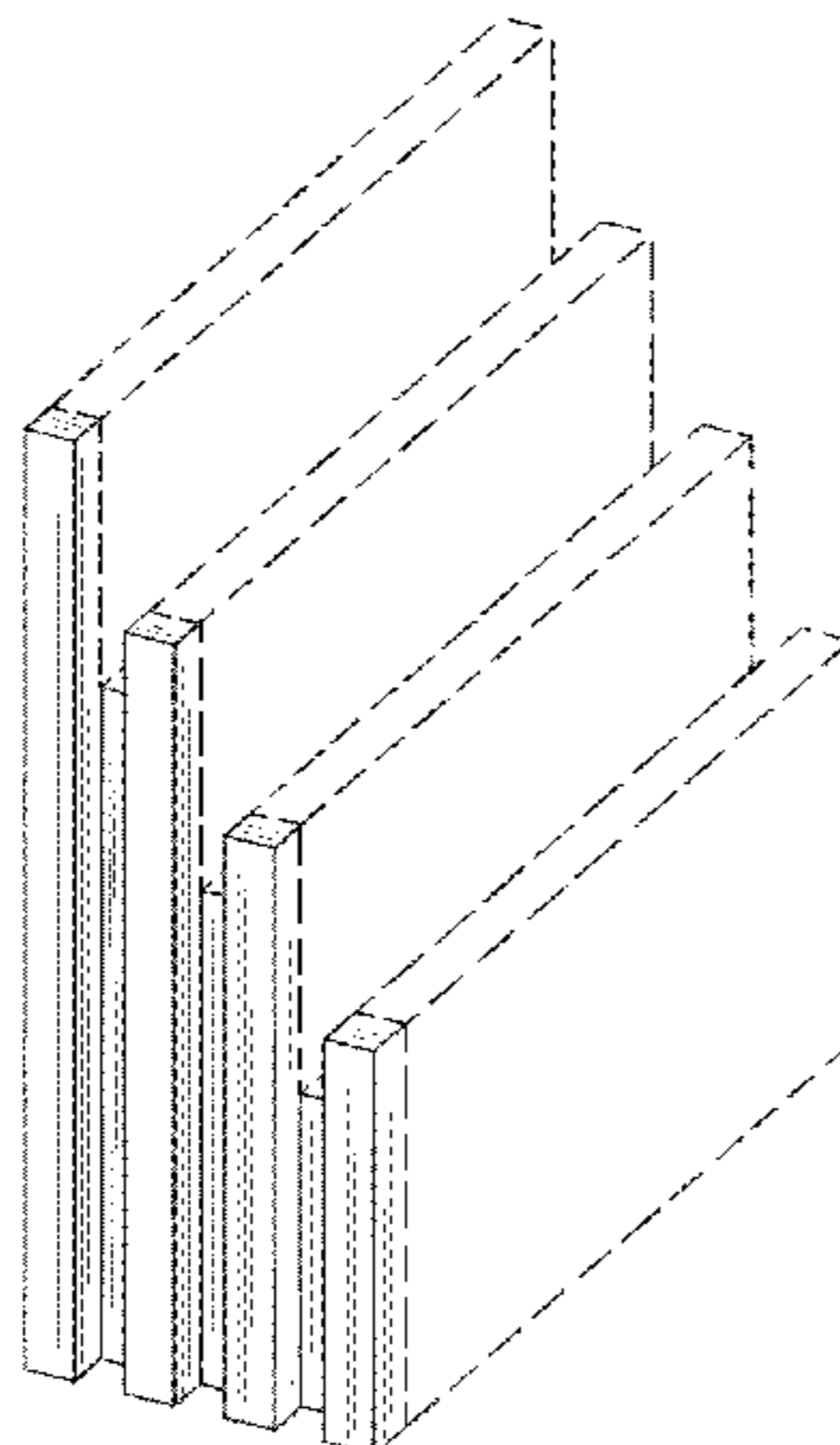
FIG. 12 is a right side view of the partition shown in FIG. 8;

FIG. 13 is a top view of the partition shown in FIG. 8; and,

FIG. 14 is a bottom view of the partition shown in FIG. 8.

The boundary lines shown in FIGS. 1-3, 6 and 7 indicate an end of the claimed surfaces of the first embodiment of the partition shown in FIGS. 1-7. Similarly, the boundary lines shown in FIGS. 8-10, 13 and 14 indicate an end of the claimed surfaces of the second embodiment of the partition shown in FIGS. 8-14. The broken lines extending from the claimed surfaces and the boundary lines shown in FIGS. 1-3 and 5-7, and FIGS. 8-11, 13 and 14, respectively, are for environmental purposes only and do not form any part of the claimed design.

1 Claim, 14 Drawing Sheets



US D683,159 S

Page 2

U.S. PATENT DOCUMENTS

1,694,520	A	12/1928	Sturdavant	
1,720,136	A	7/1929	Neumann	
D82,098	S	9/1930	Marsh	
D86,761	S	4/1932	Brooks	
D98,297	S	1/1936	Early	
2,129,396	A	9/1938	Archer	
D115,351	S	* 6/1939	Rask	D6/455
D140,244	S	* 2/1945	Wemyss	D6/466
D144,591	S	* 4/1946	Schutes	D6/424
D157,082	S	1/1950	Patton	
D161,333	S	* 12/1950	Gooken	D6/455
D180,106	S	4/1957	Seifert	
2,889,055	A	6/1959	Weller et al.	
D189,171	S	* 11/1960	Ensign	D6/457
D189,245	S	* 11/1960	Hunting	D6/424
3,171,543	A	3/1965	Nelson et al.	
D211,546	S	* 6/1968	Reinbold et al.	D6/455
D211,548	S	* 6/1968	Hayes	D6/466
D212,267	S	* 9/1968	Dreyfuss	D6/457
3,519,320	A	7/1970	Freedman	
3,811,728	A	5/1974	Redemske	
D232,142	S	* 7/1974	Spydevold	D6/457
D233,579	S	* 11/1974	Lindbo	D6/457
3,871,435	A	* 3/1975	Lopatka	D6/332
D240,098	S	* 6/1976	Juhlia	D6/455
D246,323	S	* 11/1977	Kirk	D6/332
D253,152	S	* 10/1979	Berlic	D6/424
4,203,239	A	5/1980	Williams et al.	
4,325,597	A	4/1982	Morrison	
D265,701	S	* 8/1982	Colquhoun	D6/424
D266,210	S	* 9/1982	Hannecke	D6/509
D272,834	S	2/1984	Moore	
4,460,097	A	7/1984	Darnell, II et al.	
4,534,473	A	* 8/1985	Post	211/58
D281,209	S	11/1985	Burns	
4,579,399	A	* 4/1986	Poltash	D6/450
D299,990	S	* 2/1989	Everett	D6/415
D300,489	S	* 4/1989	Antonellis	D6/466
D301,189	S	5/1989	Wallace	
4,876,835	A	10/1989	Kelley et al.	
4,925,038	A	5/1990	Gajewski	
5,016,405	A	* 5/1991	Lee	D6/421
D319,361	S	8/1991	Moser	
D327,385	S	* 6/1992	Allen	D6/474
D334,306	S	* 3/1993	Breen	D6/455
5,287,666	A	2/1994	Frascaroli et al.	
5,392,575	A	* 2/1995	Hoffman et al.	D25/138
D358,067	S	* 5/1995	Graves	D6/466
5,423,597	A	6/1995	Rogers	
D368,388	S	* 4/1996	Schainholz	D6/423
5,553,934	A	9/1996	Wells et al.	
5,715,633	A	2/1998	Raz et al.	
D395,367	S	* 6/1998	DePottey et al.	D6/455
D397,561	S	* 9/1998	DePottey et al.	D6/455
5,836,112	A	11/1998	Lindale et al.	
5,857,742	A	1/1999	Karl et al.	
5,915,571	A	6/1999	Czalkiewicz et al.	
5,938,048	A	8/1999	Carroll et al.	

D415,580	S	* 10/1999	Keating et al.	D25/138
5,983,574	A	11/1999	Holztrager	
6,105,796	A	8/2000	Buchanan et al.	
6,138,583	A	10/2000	Mahone et al.	
D435,181	S	* 12/2000	Brozak, Jr.	D6/455
D435,865	S	* 1/2001	La Greca	D6/455
6,427,853	B2	8/2002	Brozak, Jr.	
6,460,470	B1	10/2002	Scharer et al.	
D492,964	S	* 7/2004	Kuehl et al.	D19/75
D494,776	S	* 8/2004	Metz	D6/457
6,851,226	B2	2/2005	MacGregor et al.	
6,929,131	B1	8/2005	Landi	
D520,263	S	* 5/2006	Nobles et al.	D6/421
7,051,482	B2	5/2006	MacDonald et al.	
D526,819	S	* 8/2006	Lee et al.	D6/476
D527,207	S	* 8/2006	Lee et al.	D6/476
7,213,885	B2	5/2007	White, III et al.	
D551,002	S	* 9/2007	Snell	D6/525
D559,564	S	* 1/2008	Bakker et al.	D6/332
7,347,493	B2	3/2008	Mulmed	
D571,577	S	* 6/2008	Van Es	D6/460
D572,042	S	* 7/2008	Suzuki	D6/457
D572,043	S	* 7/2008	Suzuki	D6/457
D575,556	S	* 8/2008	Rohkar, Jr.	D6/466
7,461,484	B2	12/2008	Batthey et al.	
D590,635	S	* 4/2009	Beckerman	D6/475
D591,987	S	* 5/2009	Thompson	D6/509
7,540,115	B2	6/2009	Metcalf et al.	
D605,425	S	* 12/2009	Kelly	D6/457
D605,876	S	* 12/2009	Linder	D6/476
D611,270	S	* 3/2010	Castillo Higareda	D6/475
D613,079	S	* 4/2010	Tsuchiyama	D6/332
D613,080	S	* 4/2010	Tsuchiyama	D6/332
D613,966	S	* 4/2010	Staw et al.	D6/476
D622,077	S	* 8/2010	Nash	D6/396
7,775,379	B2	8/2010	Hodge	
D624,334	S	* 9/2010	Linder	D6/476
D625,528	S	* 10/2010	Sprague	D6/449
D629,228	S	* 12/2010	Allman et al.	D6/455
D642,814	S	* 8/2011	Pensi et al.	D6/332

FOREIGN PATENT DOCUMENTS

DK	128131	B	3/1974
NL	1033119	C2	6/2008
WO	WO 98/04790	A1	2/1998
WO	WO 98/54688	A1	12/1998

OTHER PUBLICATIONS

Bookcase Superstore, "Guidecraft Book Display Children Bookcases", © 1997-2009, Mercantila, Inc., 6 pages.

Our House Ideas, "Rustic Step Shelf", Fact Sheets, 1 page.

International Search Report for International Application No. PCT/DE2010/001059, dated Feb. 23, 2011, 2 pages.

Office Action from counterpart Japanese Application No. 2011-012212, dated Dec. 27, 2011 with English translation and prior art dated Mar. 1, 2007 pictured on p. 2, 3 pages.

* cited by examiner

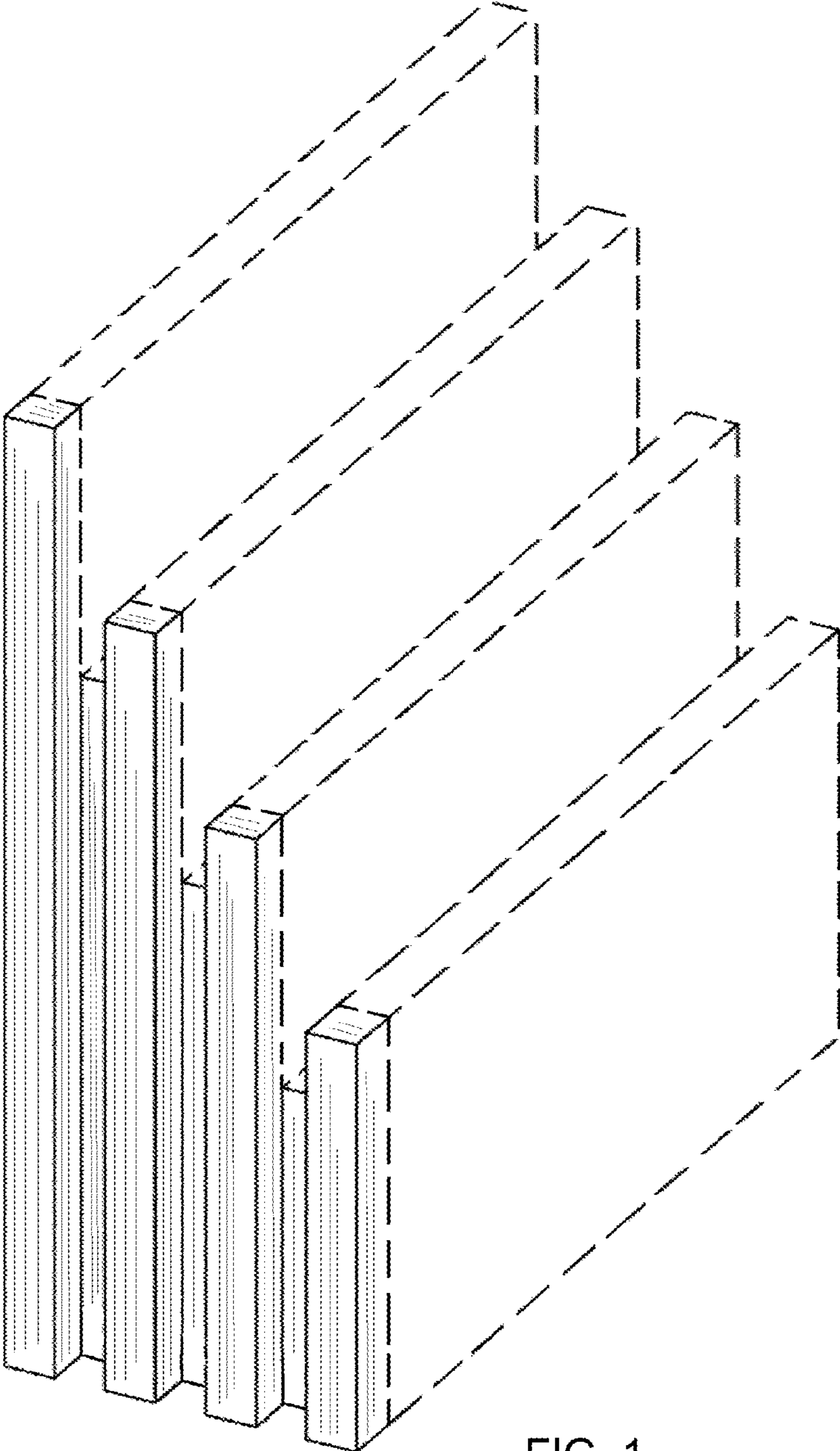


FIG. 1

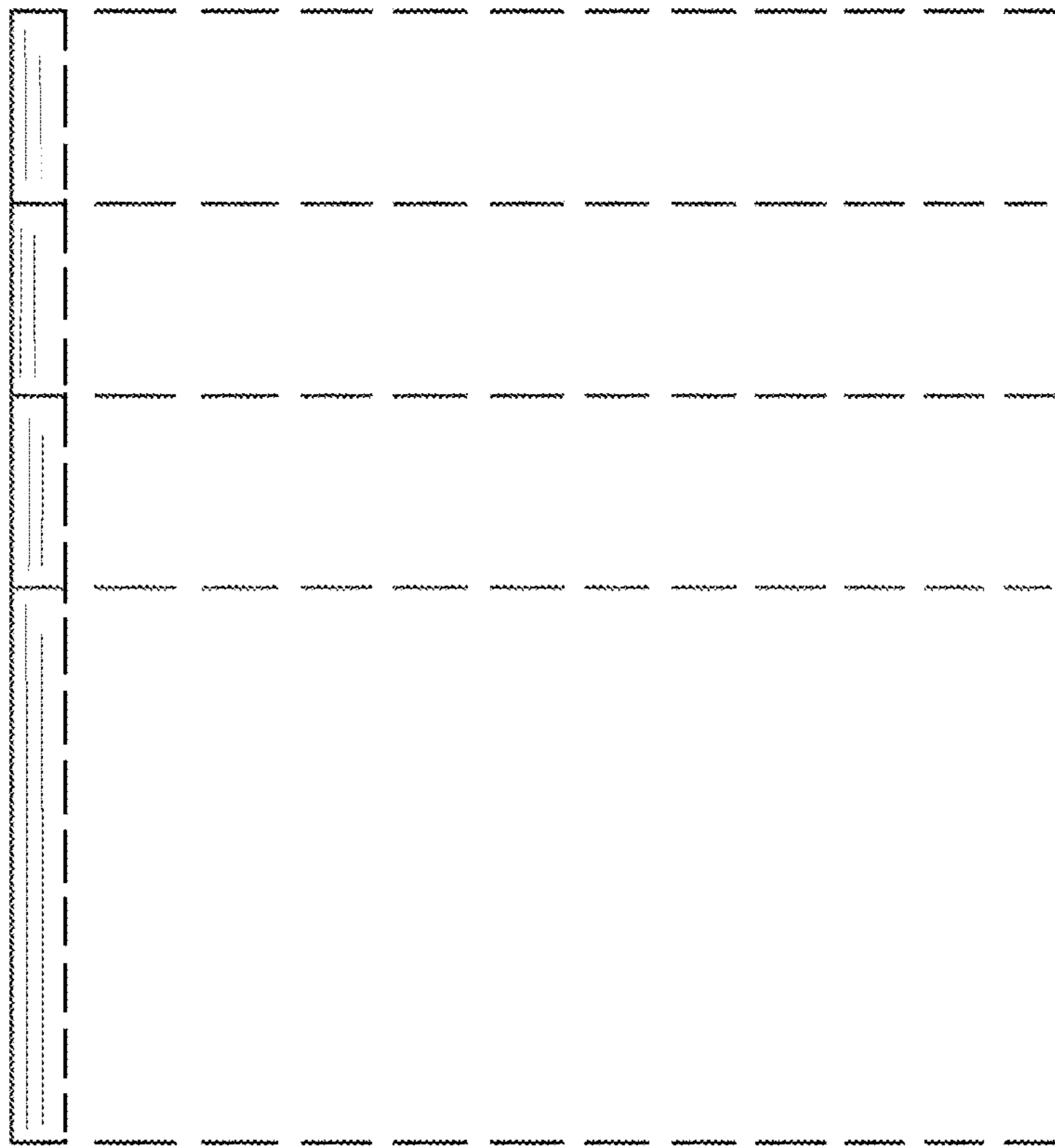


FIG. 2

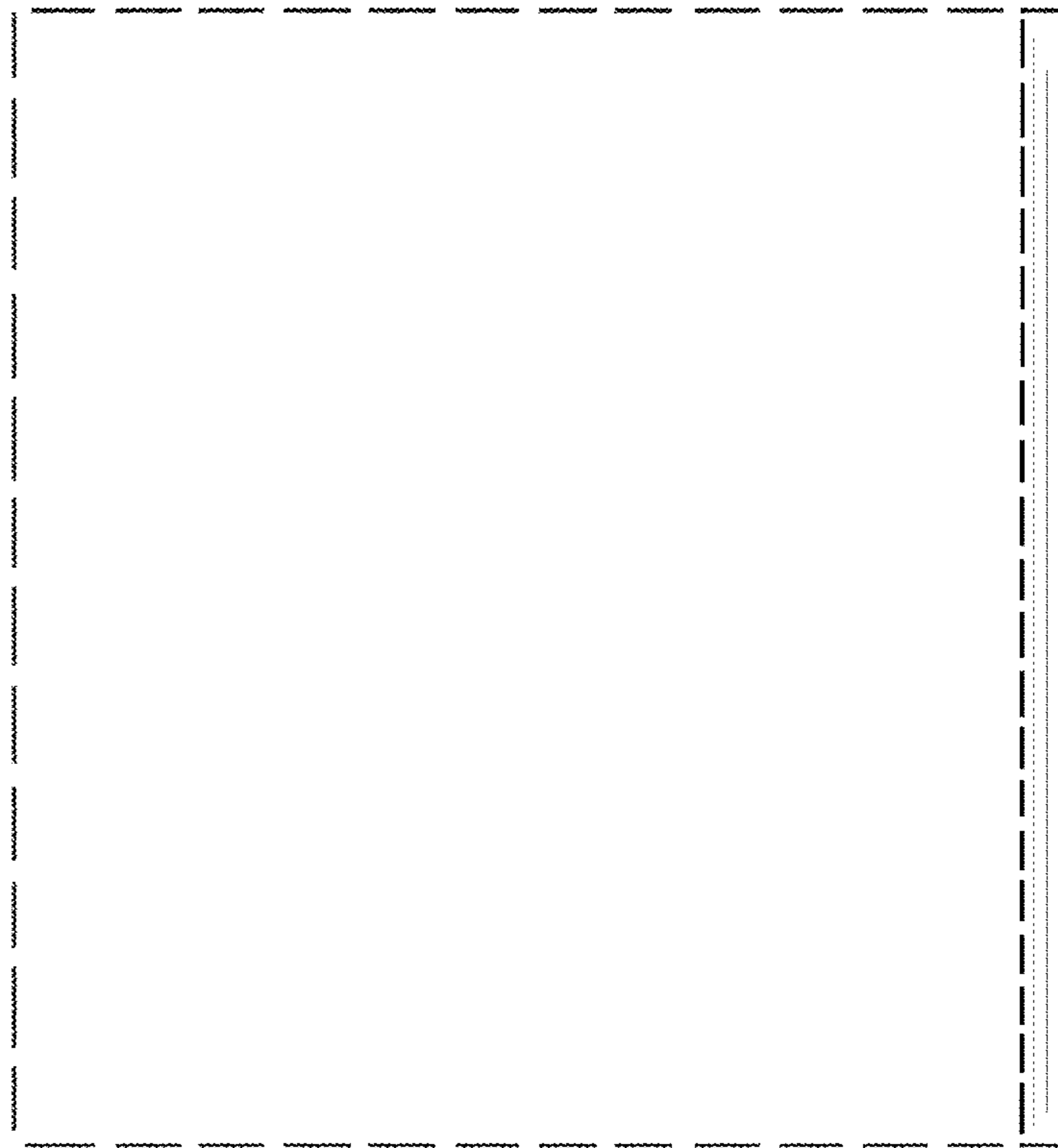


FIG. 3

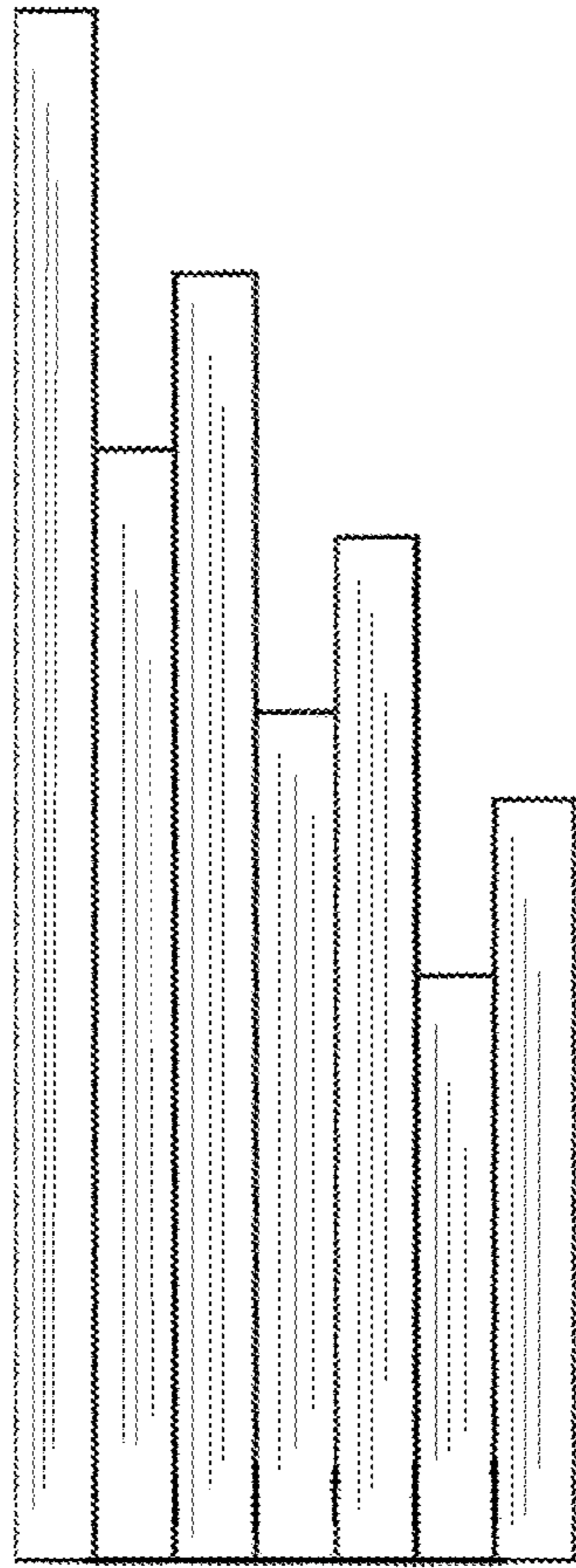


FIG. 4



FIG. 5

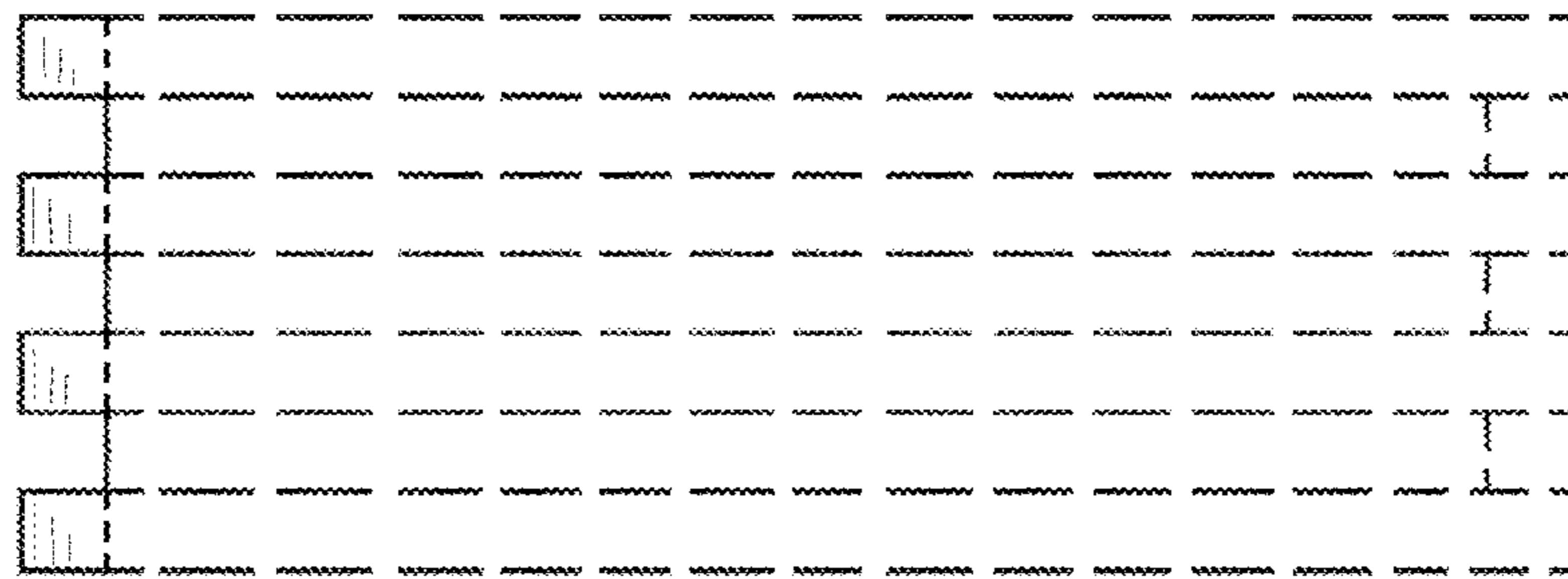


FIG. 6

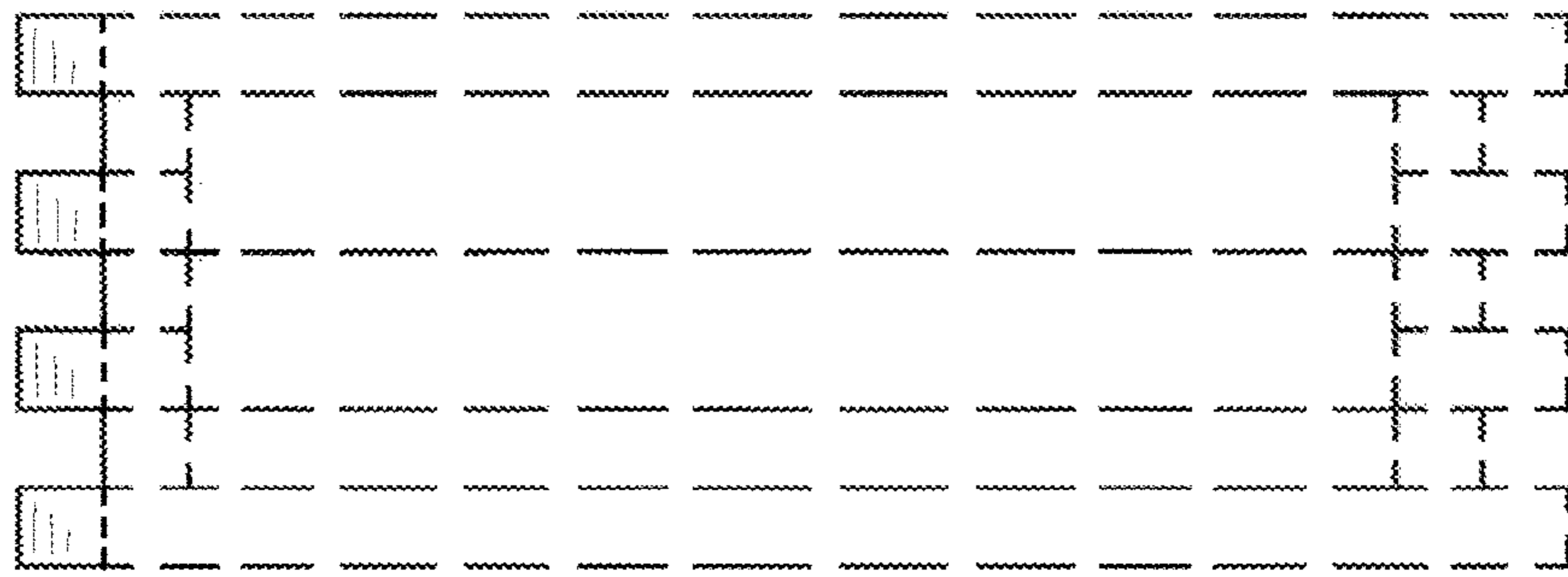


FIG. 7

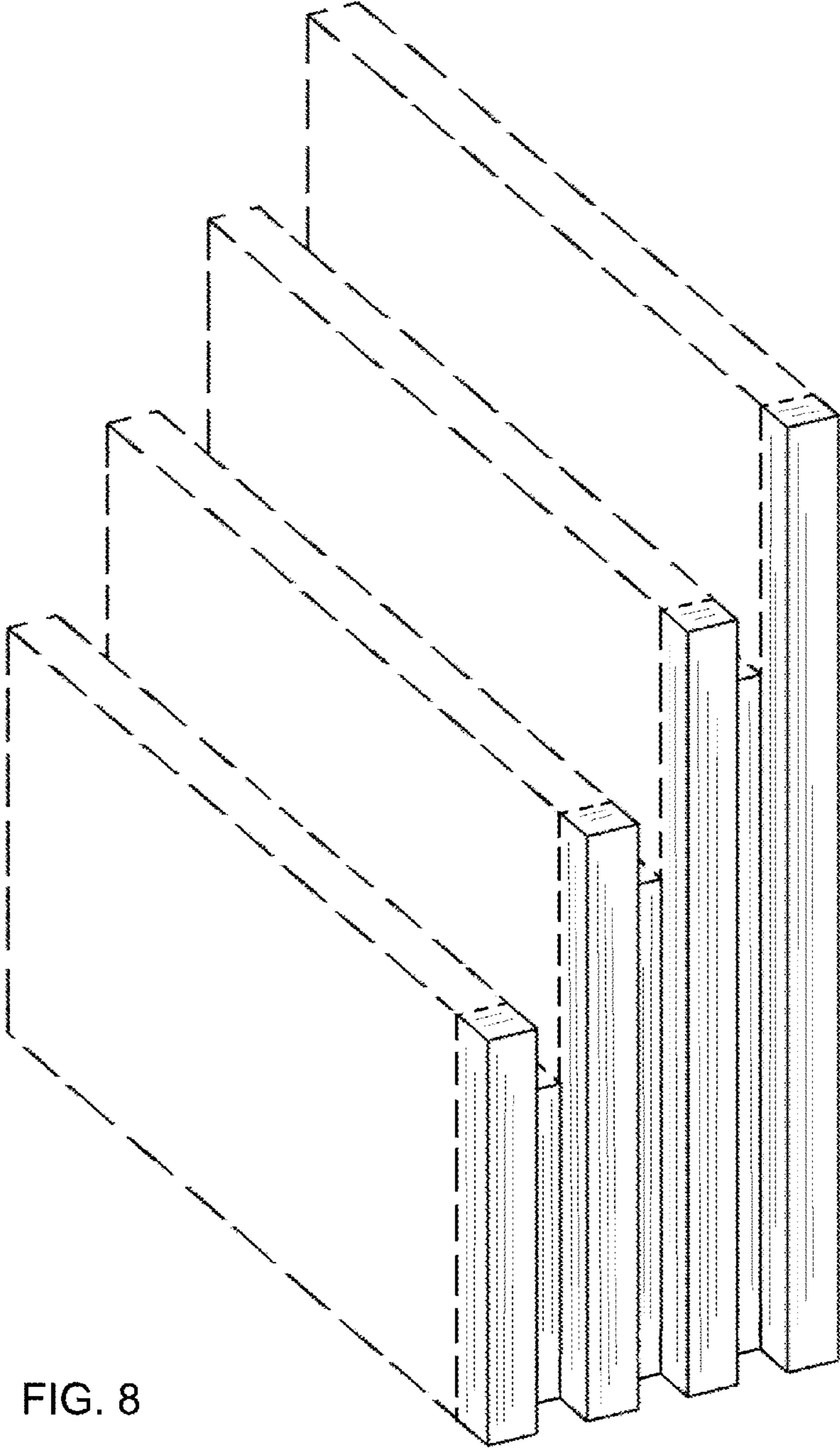


FIG. 8

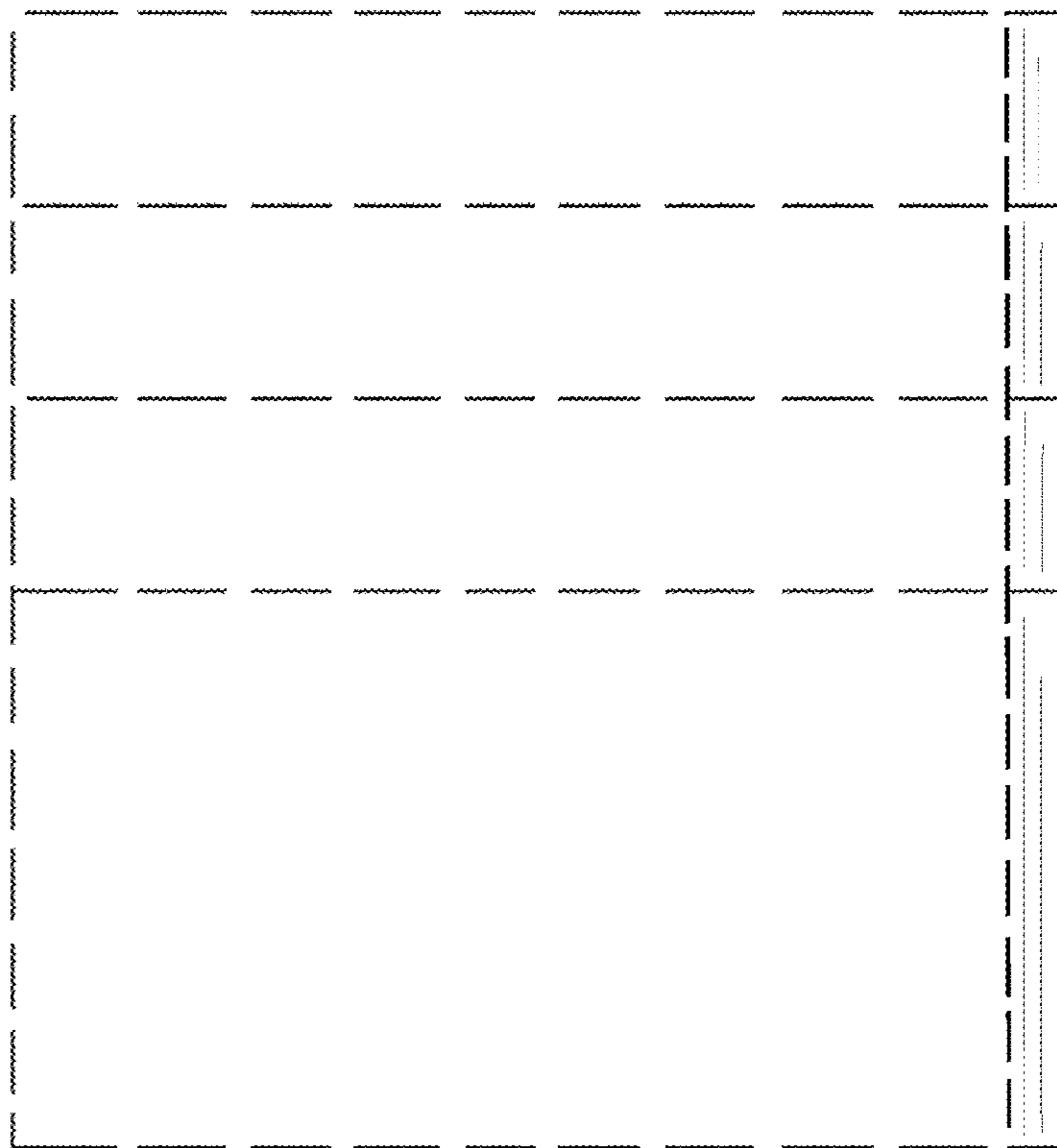


FIG. 9

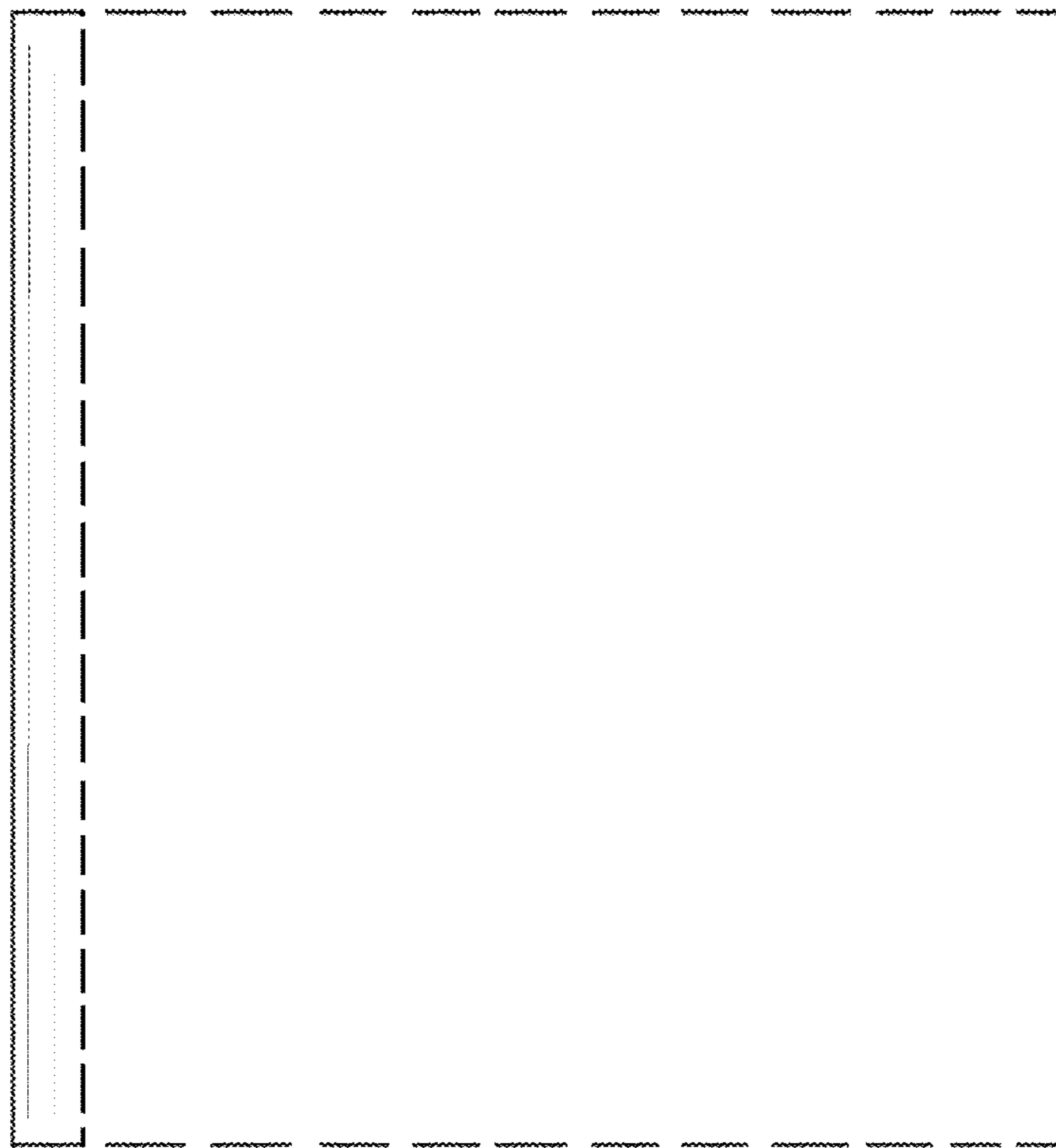


FIG. 10

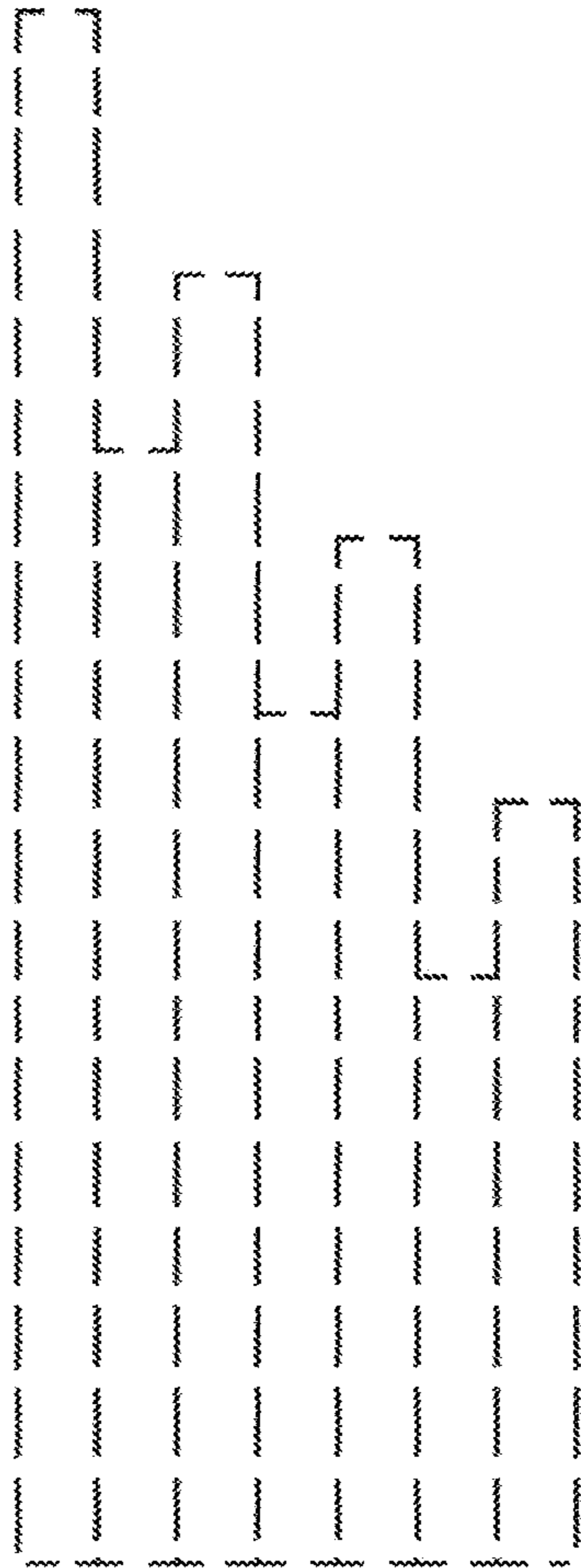


FIG. 11

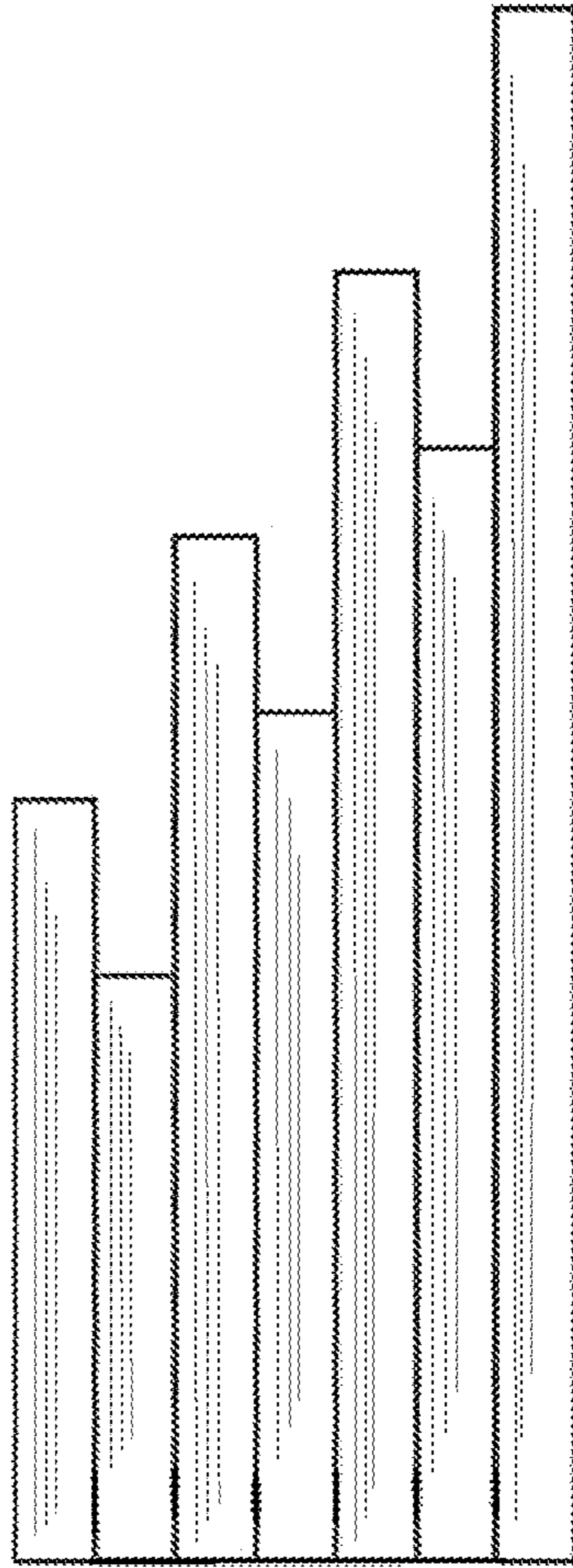


FIG. 12

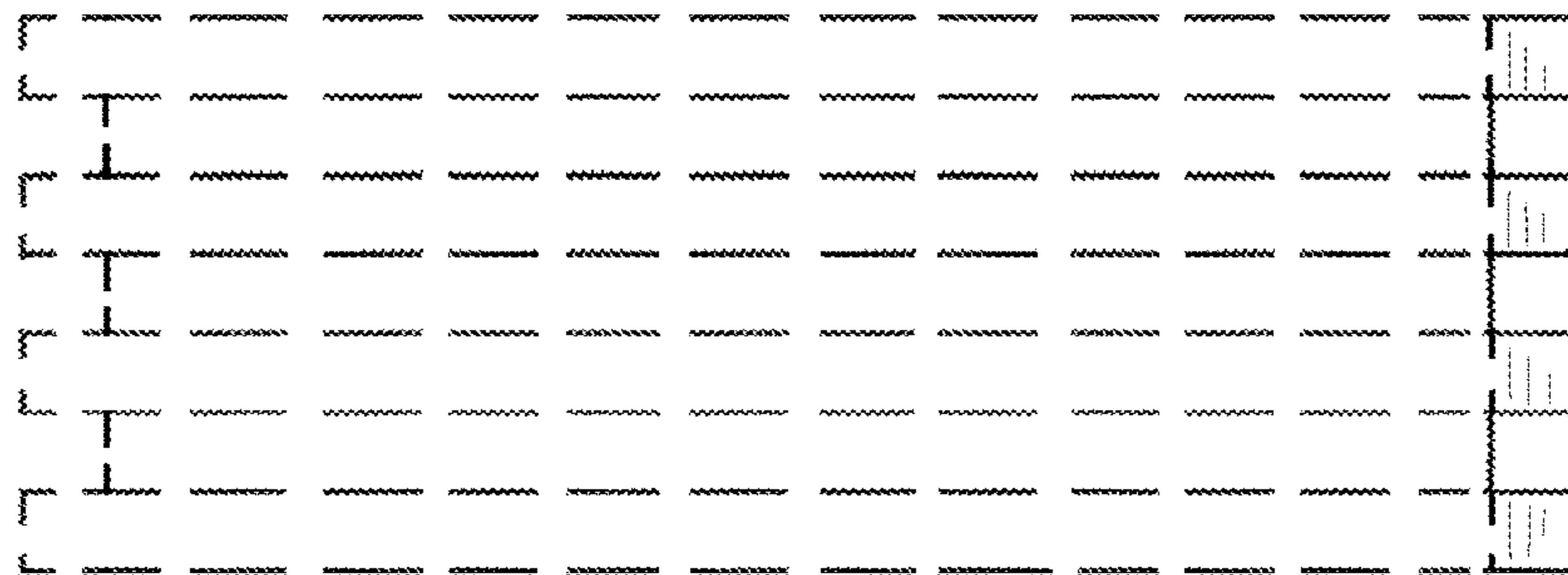


FIG. 13

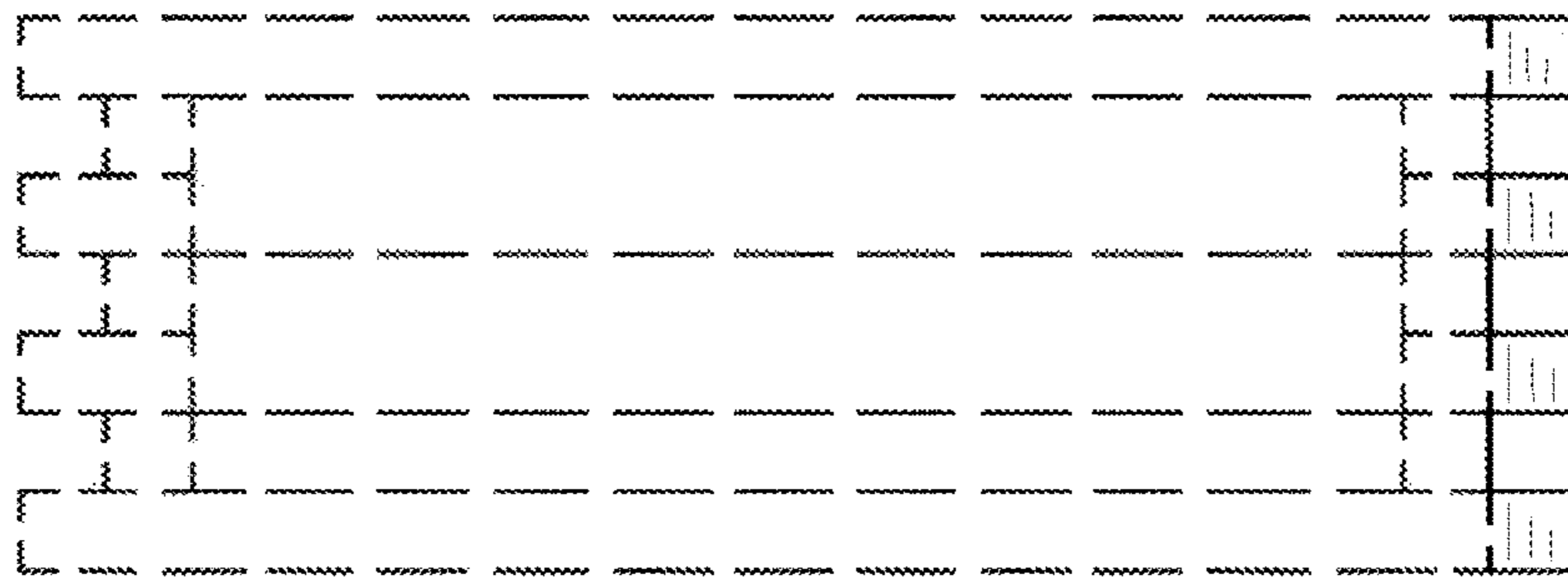


FIG. 14