



US00D683156S

(12) **United States Design Patent**  
**Christakos**

(10) **Patent No.:** **US D683,156 S**  
(45) **Date of Patent:** **\*\* May 28, 2013**

- (54) **COLLAPSIBLE BUNGEE CHAIR**
- (71) Applicant: **Blu Dot Design & Manufacturing, Inc.**,  
Minneapolis, MN (US)
- (72) Inventor: **John N. Christakos**, Minneapolis, MN  
(US)
- (73) Assignee: **Blu Dot Design & Manufacturing, Inc.**,  
Minneapolis, MN (US)

2,723,712	A *	11/1955	Yellen .....	297/440.11
2,930,430	A *	3/1960	Bloom .....	297/271.6
3,180,685	A *	4/1965	Rogalski et al. ....	297/440.24
3,656,808	A *	4/1972	Chang .....	297/451.4
3,694,030	A *	9/1972	Grosfillex .....	297/448.1
D292,048	S *	9/1987	Shaffer .....	D6/363
6,332,646	B1	12/2001	Tseng	
6,883,862	B1 *	4/2005	Yao .....	297/16.1
6,938,951	B1 *	9/2005	Tseng .....	297/16.1
D554,873	S *	11/2007	Ma .....	D6/349
D649,800	S *	12/2011	Lievore et al. ....	D6/373
D677,920	S *	3/2013	Christakos .....	D6/368

- (\*\*) Term: **14 Years**
- (21) Appl. No.: **29/445,077**
- (22) Filed: **Feb. 7, 2013**

**Related U.S. Application Data**

- (62) Division of application No. 29/412,872, filed on Feb. 8, 2012, now Pat. No. Des. 677,920.
- (51) **LOC (9) Cl.** ..... **06-01**
- (52) **U.S. Cl.**  
USPC ..... **D6/368**
- (58) **Field of Classification Search**  
USPC ..... D6/334-336, 344-353, 360-381,  
D6/388, 403, 491-502, 692, 708, 716, 716.2;  
297/16.1, 22, 31, 35, 217.1, 228.12, 239,  
297/256.16, 271.6, 284.4-284.5, 291, 297,  
297/302.4, 411.2, 411.27-411.29, 411.43,  
297/423.1, 423.12, 440.11, 440.15, 440.24,  
297/448.1, 451.4, 452.13, 452.19, 452.21,  
297/452.27, 452.29, 452.3, 452.41, 452.56,  
297/452.64

See application file for complete search history.

(56) **References Cited**

**U.S. PATENT DOCUMENTS**

- D168,212 S \* 11/1952 Cicchelli ..... D6/379
- D171,265 S \* 1/1954 Phillips ..... D6/375

**OTHER PUBLICATIONS**

Advertisement from Target, "Woven Techniques Hard Goods", Interior Design Capsule, made publicly available by at least Feb. 27, 2012.

\* cited by examiner

*Primary Examiner* — Ricky Pham  
(74) *Attorney, Agent, or Firm* — Fredrikson & Byron, P.A.

(57) **CLAIM**

I claim the ornamental design for a collapsible bungee chair, as shown and described.

**DESCRIPTION**

FIG. 1 is a front perspective view of the collapsible bungee chair of my design;  
 FIG. 2 is a front elevational view thereof;  
 FIG. 3 is a rear elevational view thereof;  
 FIG. 4 is a right-side elevation view thereof, the left-side elevation view being a mirror image thereof;  
 FIG. 5 is a top plan view thereof; and,  
 FIG. 6 is a bottom plan view thereof.

The broken lines shown in the drawings are for illustrative purposes only and form no part of the claimed design.

**1 Claim, 4 Drawing Sheets**

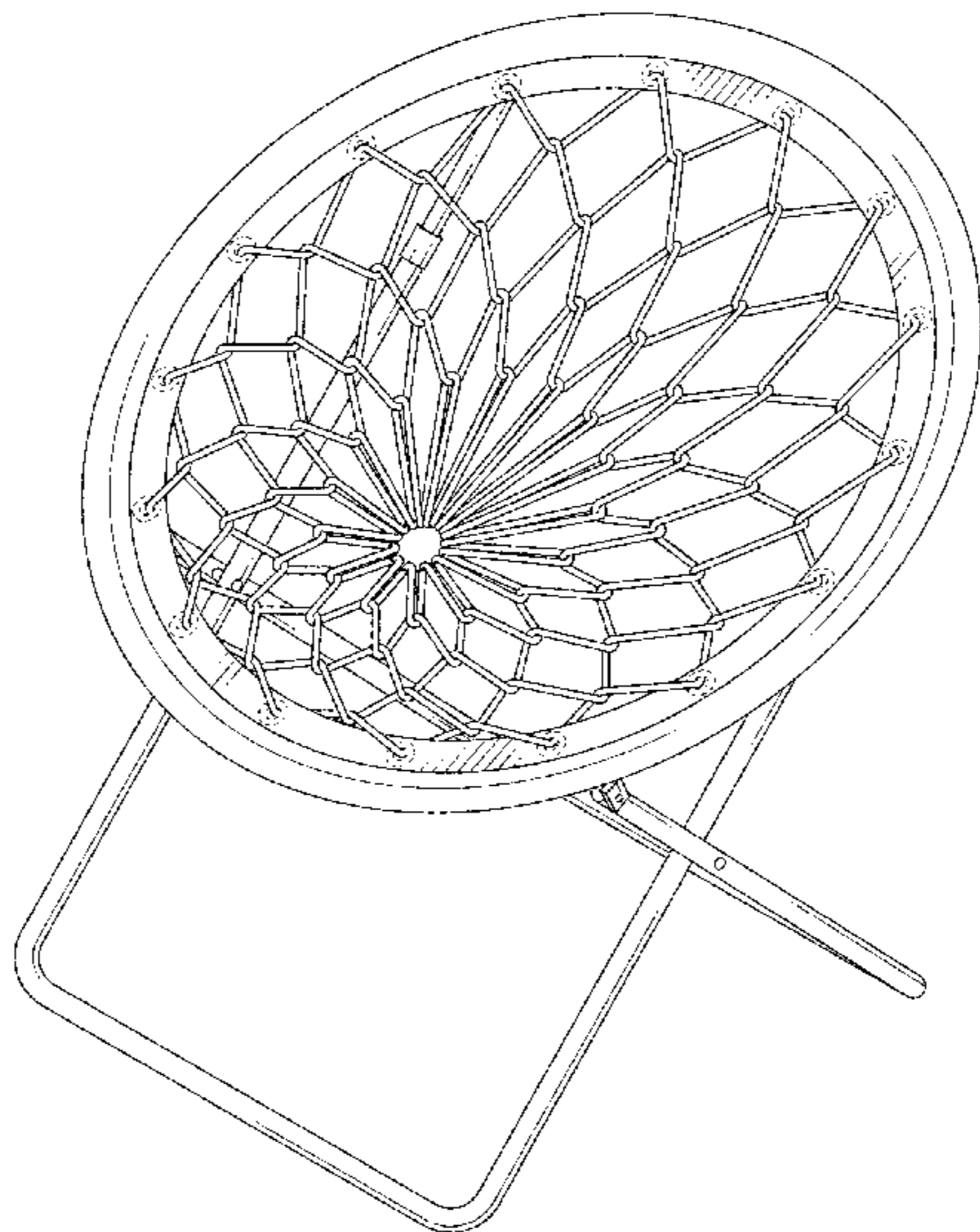


FIG. 1

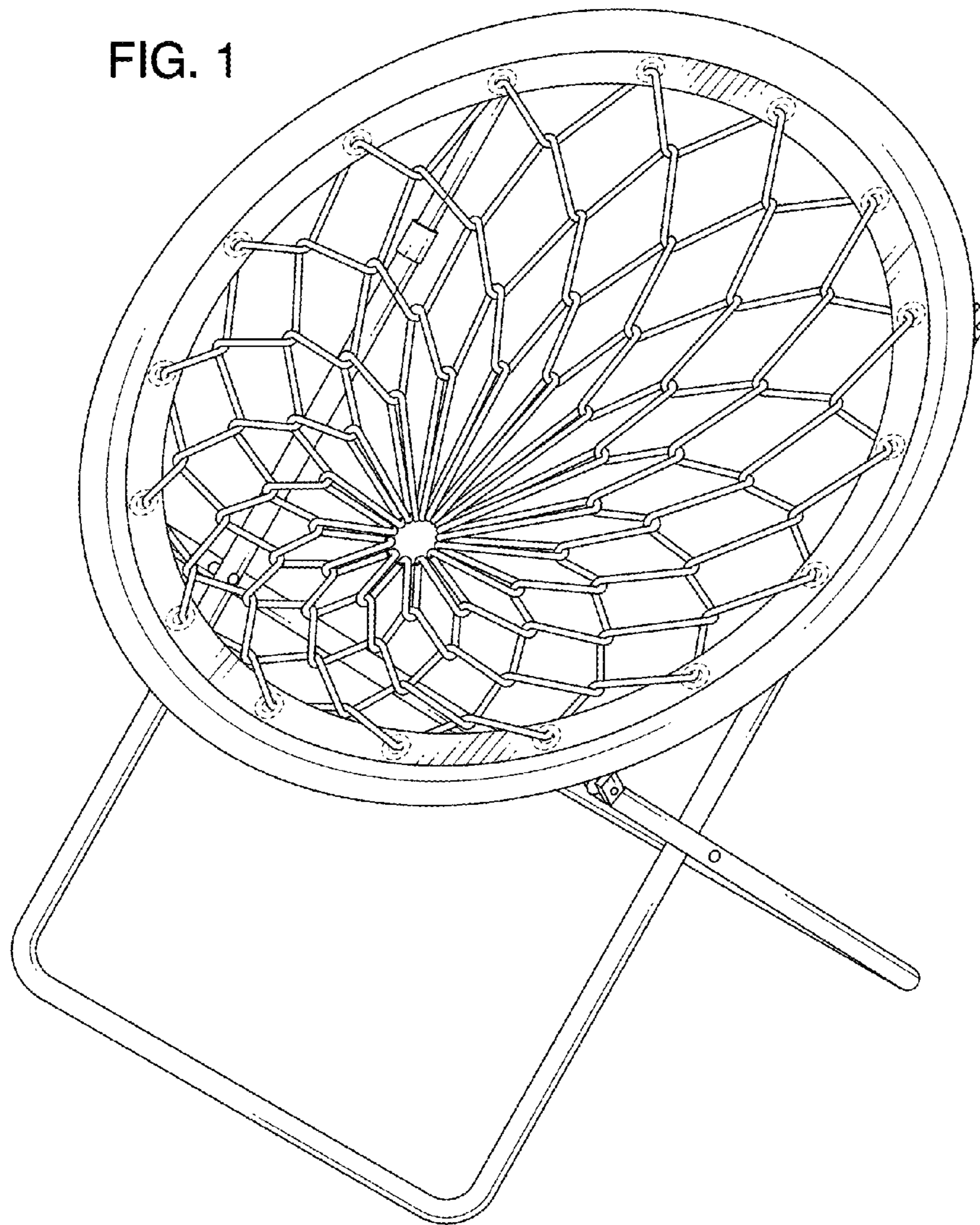


FIG. 2

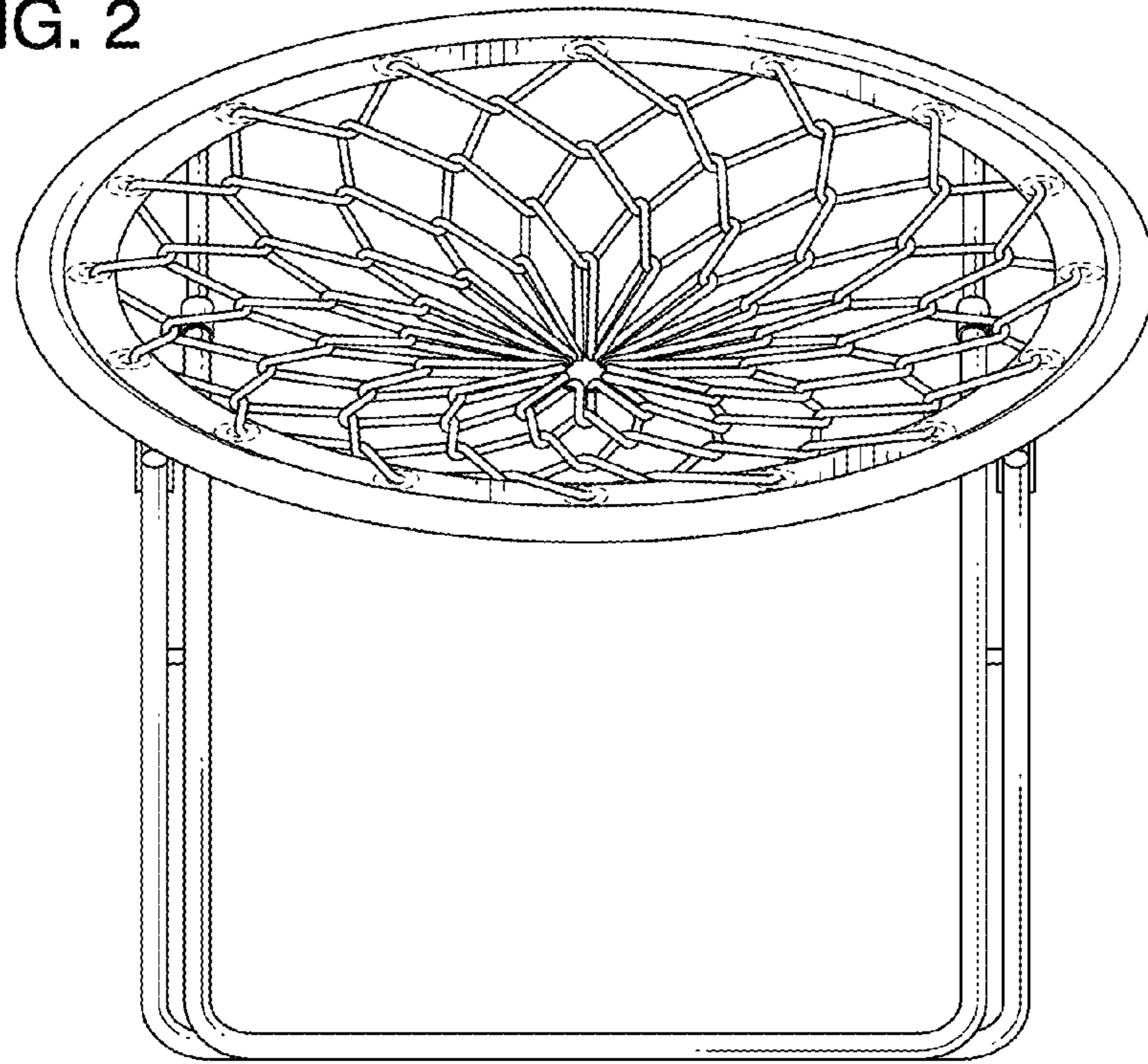


FIG. 3

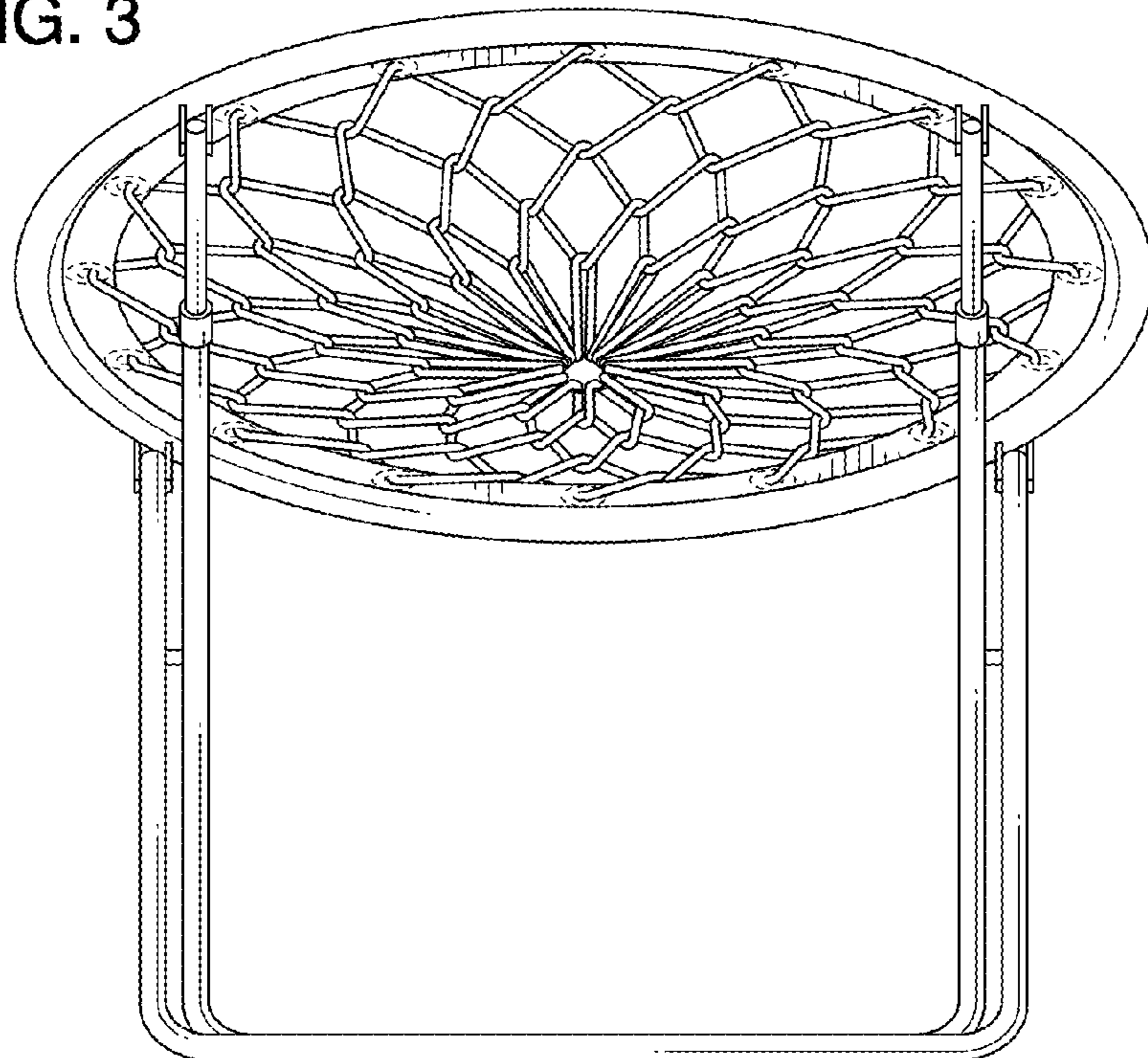


FIG. 4

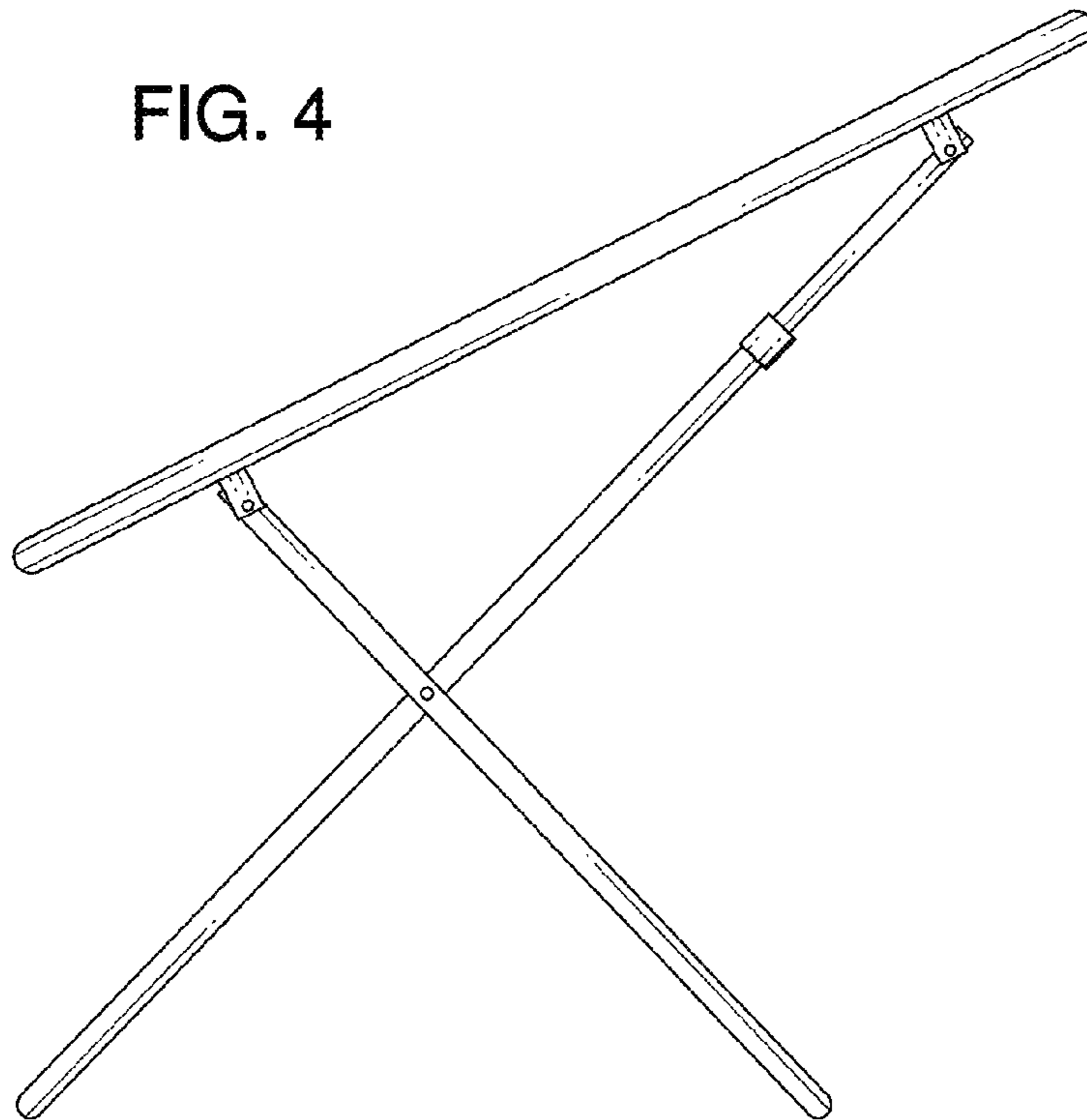


FIG. 5

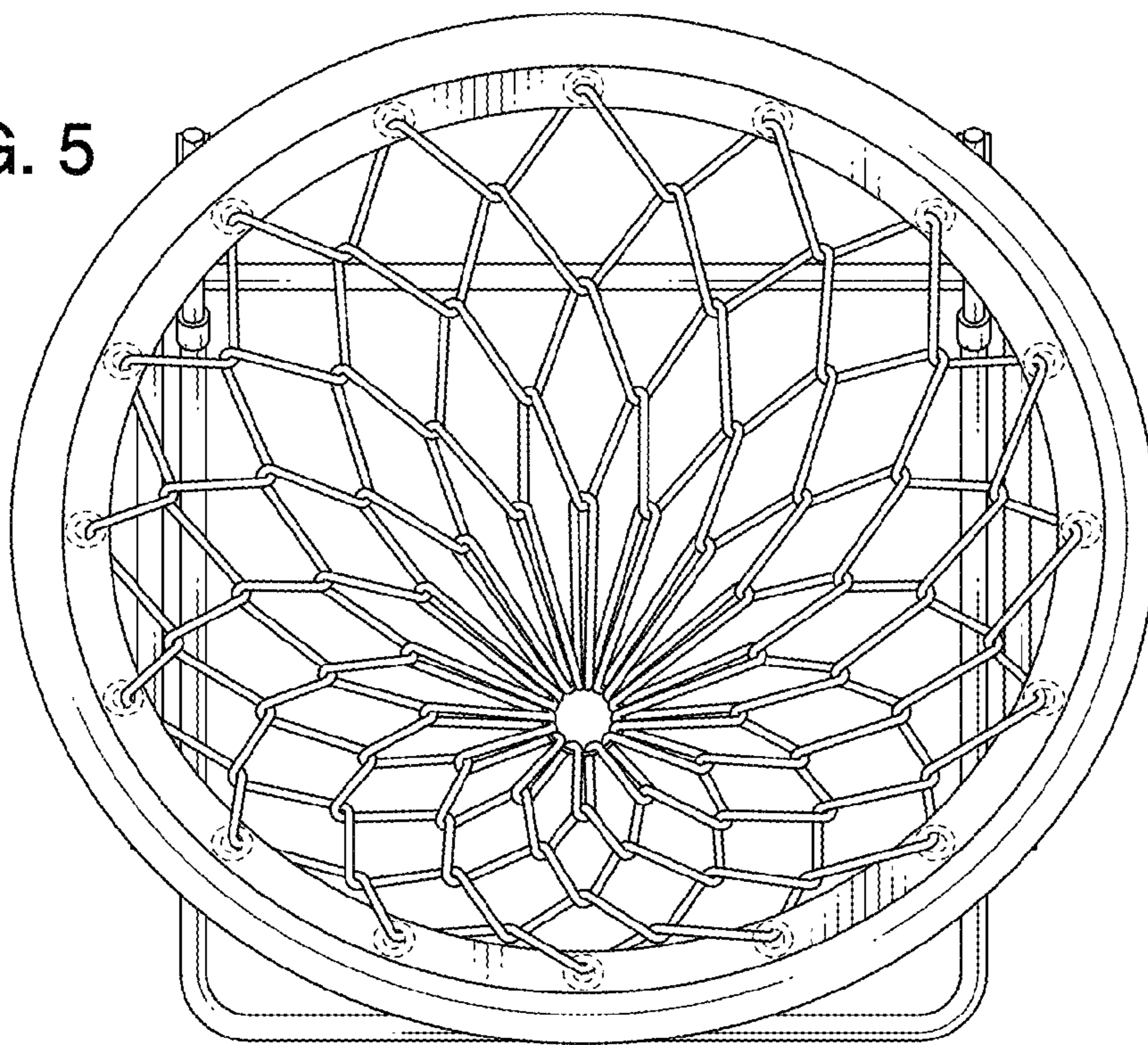


FIG. 6

