



US00D683155S

(12) **United States Design Patent**
Chen

(10) **Patent No.:** **US D683,155 S**

(45) **Date of Patent:** **** May 28, 2013**

(54) **FOLDING CHAIR**

(76) Inventor: **Samuel Chen**, Shanghai (CN)

(**) Term: **14 Years**

(21) Appl. No.: **29/423,023**

(22) Filed: **May 25, 2012**

(51) **LOC (9) Cl.** **06-01**

(52) **U.S. Cl.**

USPC **D6/368**

(58) **Field of Classification Search**

USPC D6/334-336, 344-353, 360-381,
D6/388, 403, 491-502, 692, 708, 716, 716.2;
297/16.1, 22, 31, 35, 217.1, 228.12, 239,
297/256.16, 271.6, 284.4-284.5, 291, 297,
297/302.4, 411.2, 411.27-411.29, 411.43,
297/423.1, 423.12, 440.11, 440.15, 440.24,
297/448.1, 451.4, 452.13, 452.19, 452.21,
297/452.27, 452.29, 452.3, 452.41, 452.56,
297/452.64

See application file for complete search history.

(56) **References Cited**

U.S. PATENT DOCUMENTS

D222,450 S * 10/1971 Brook D6/373
D227,634 S * 7/1973 Robinson D6/373

D233,494 S * 11/1974 Bolyos D6/373
D237,332 S * 10/1975 Laylon D6/373
D239,222 S * 3/1976 Smith D6/373
D245,739 S * 9/1977 Cook, Jr. D6/371
D266,716 S * 11/1982 Caldwell D6/373
D270,215 S * 8/1983 Ochsner D6/373
D271,065 S * 10/1983 Thompson D6/379
D274,022 S * 5/1984 Caldwell D6/373
D332,355 S * 1/1993 Maruya et al. D6/368
D340,143 S * 10/1993 Caldwell D6/370
D562,020 S * 2/2008 Massaud D6/373

* cited by examiner

Primary Examiner — Ricky Pham

(74) *Attorney, Agent, or Firm* — Clement Cheng

(57) **CLAIM**

The ornamental design for a folding chair, as shown and described.

DESCRIPTION

FIG. 1 is a perspective view.

FIG. 2 is a front view.

FIG. 3 is a rear view.

FIG. 4 is a left side view.

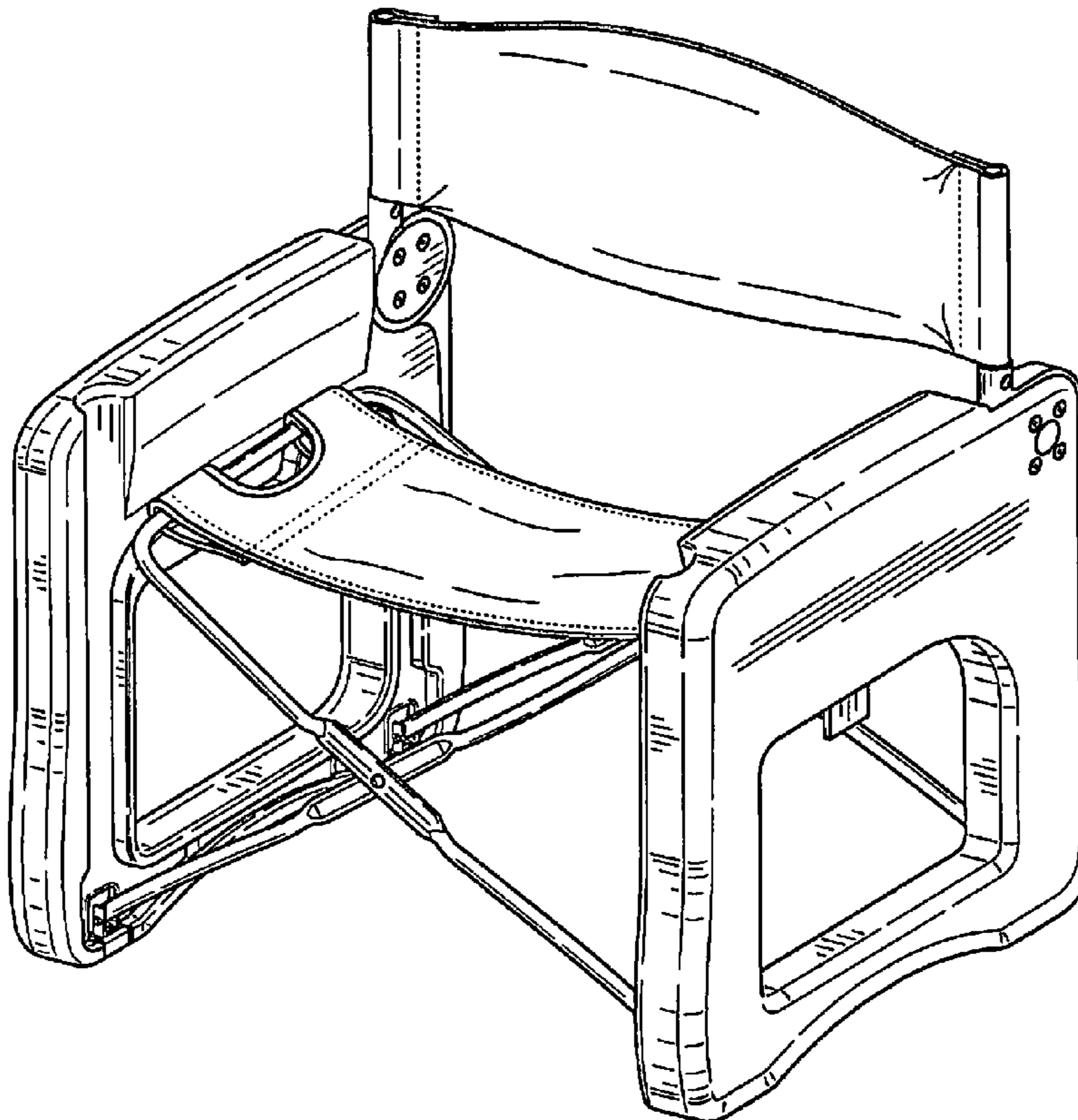
FIG. 5 is a right side view.

FIG. 6 is a top view; and,

FIG. 7 is a bottom view.

The dotted line in the drawing forms no part of the claimed invention.

1 Claim, 4 Drawing Sheets



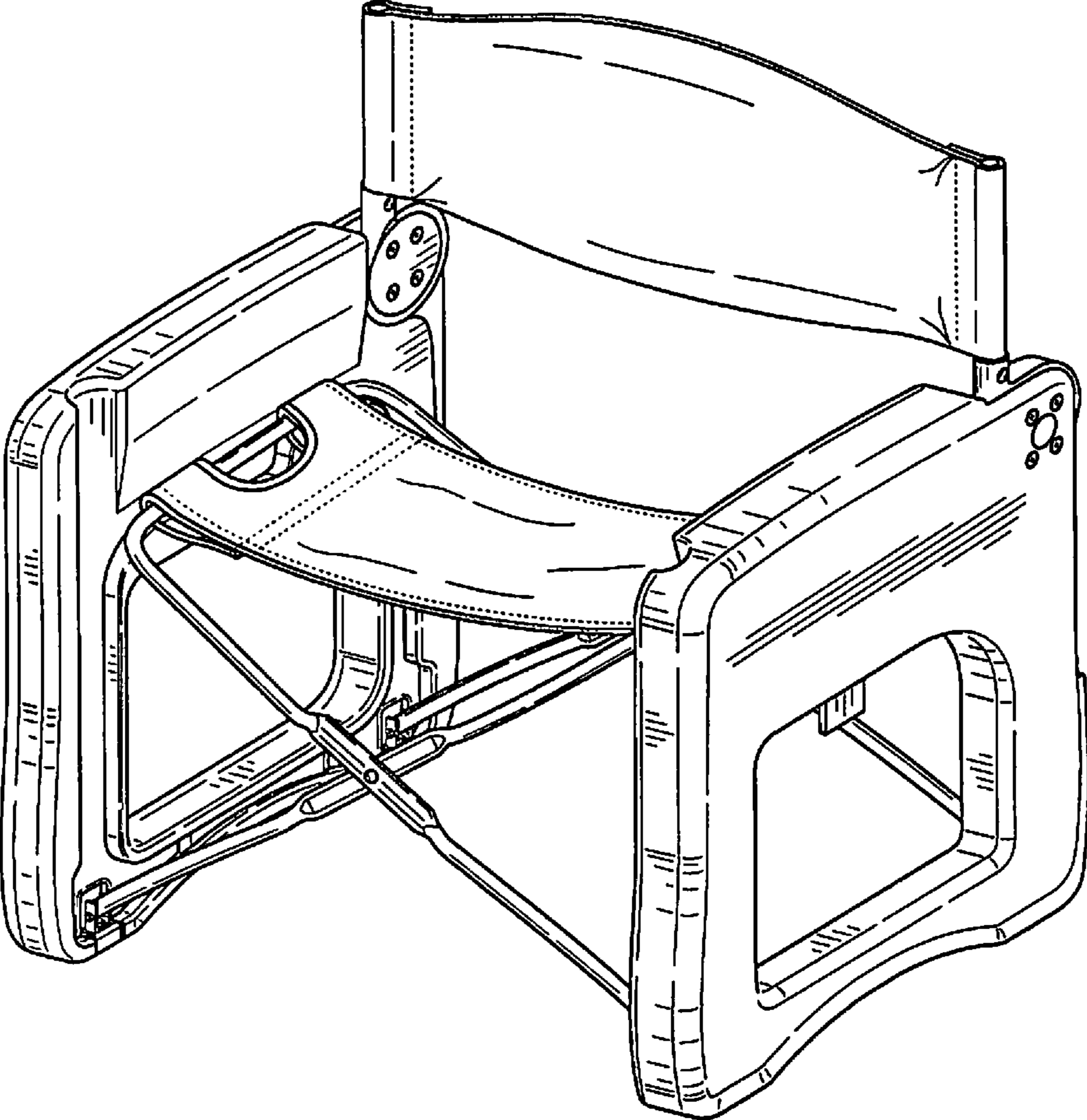


FIG. 1

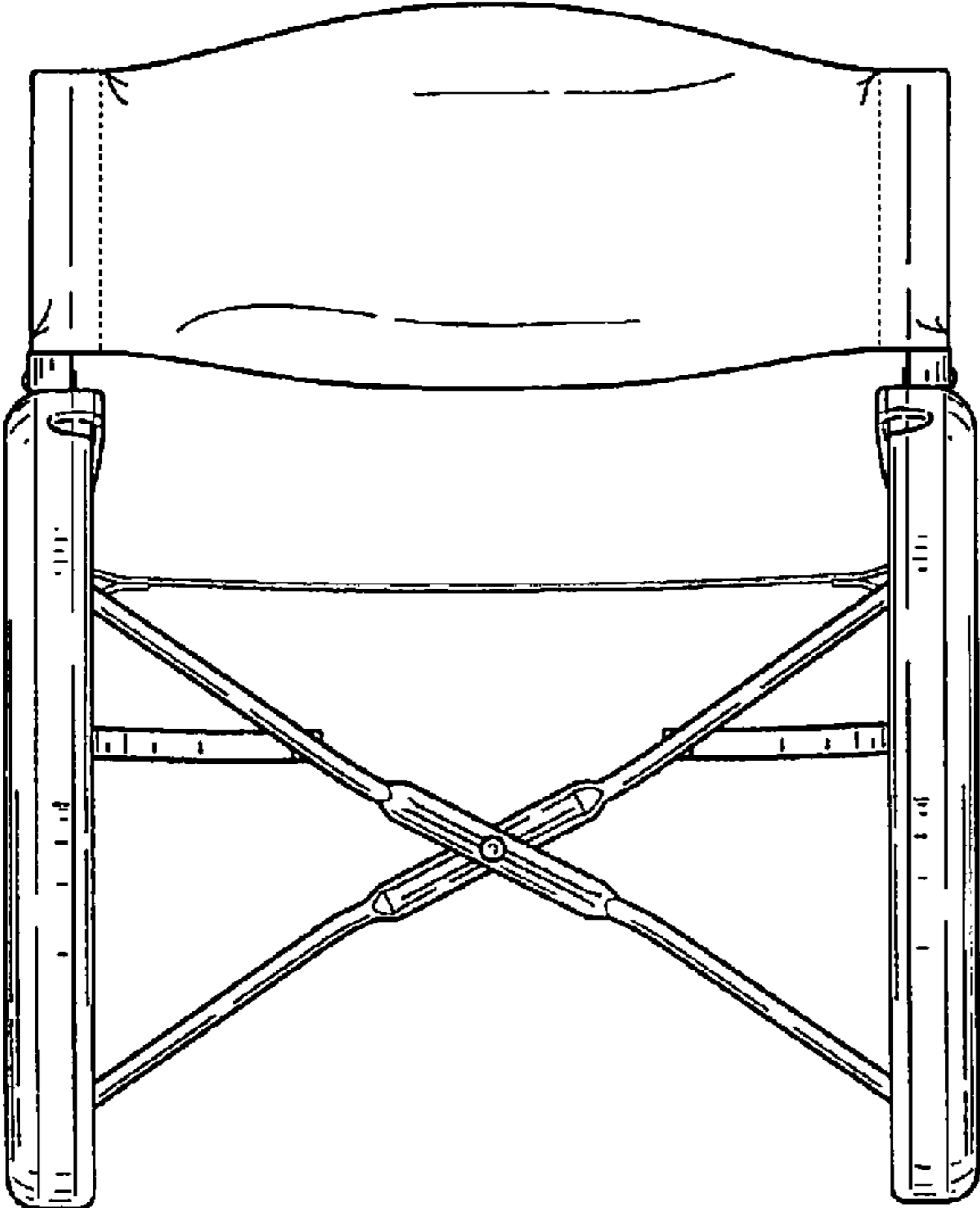


FIG. 2

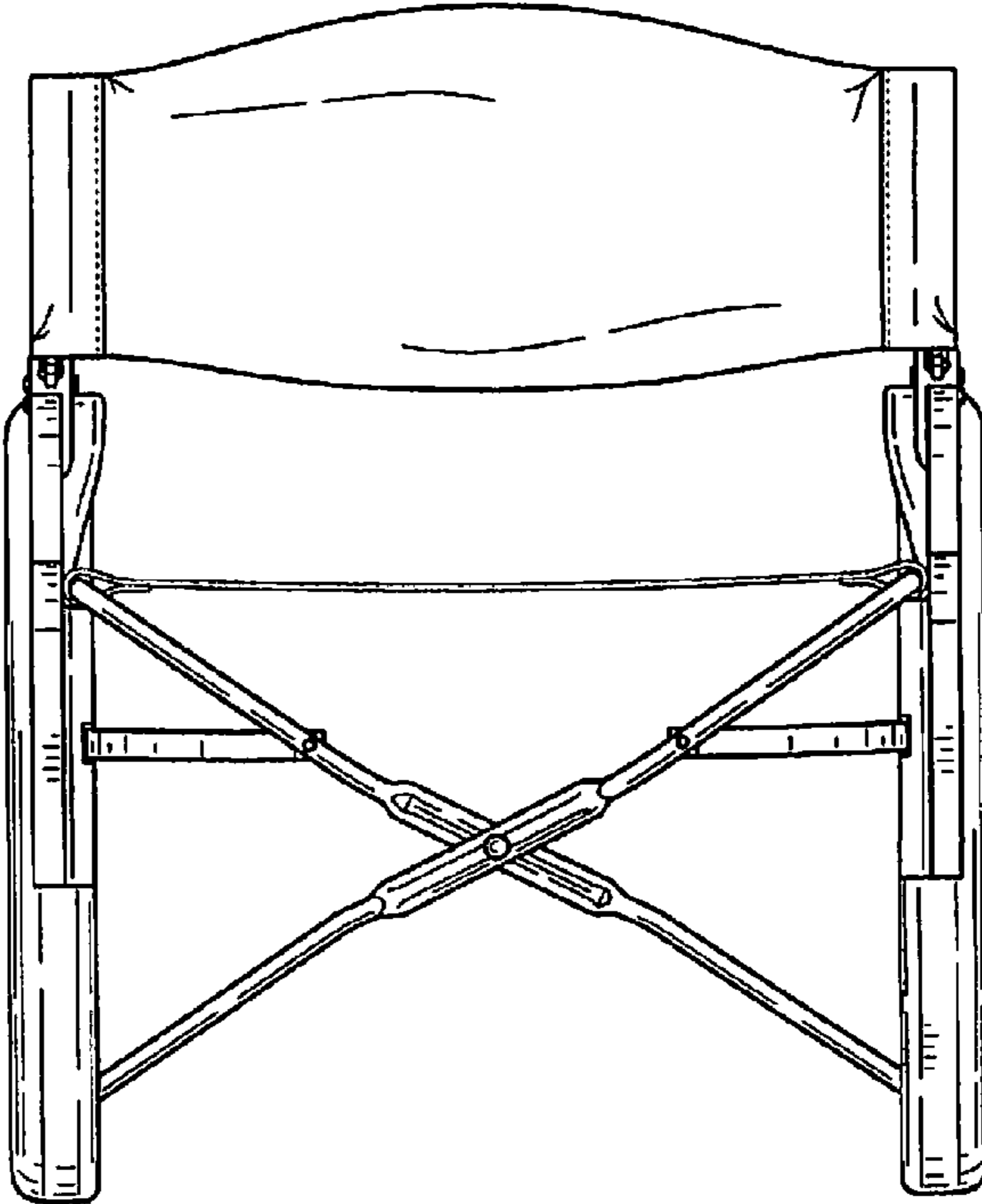


FIG. 3

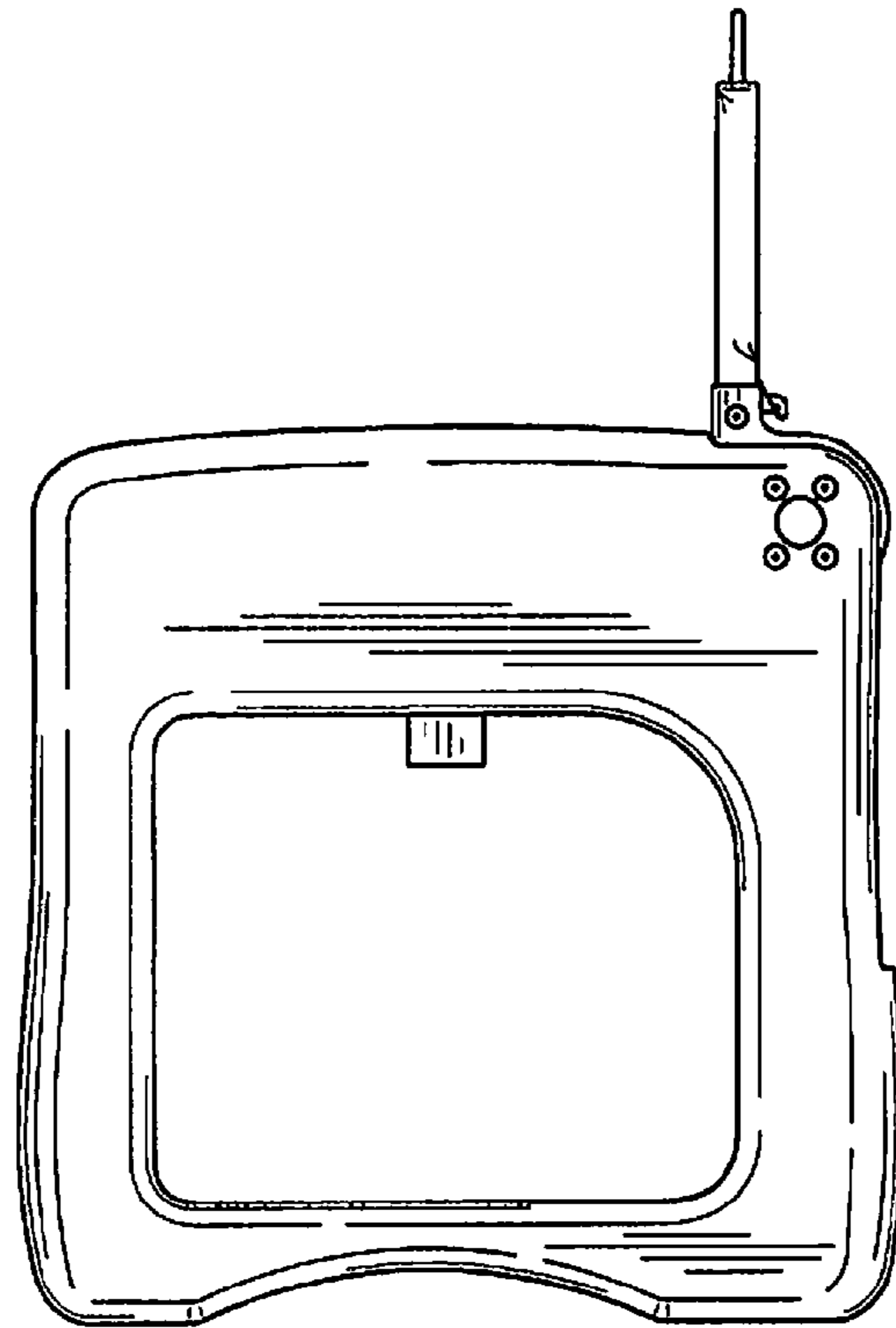


FIG. 4

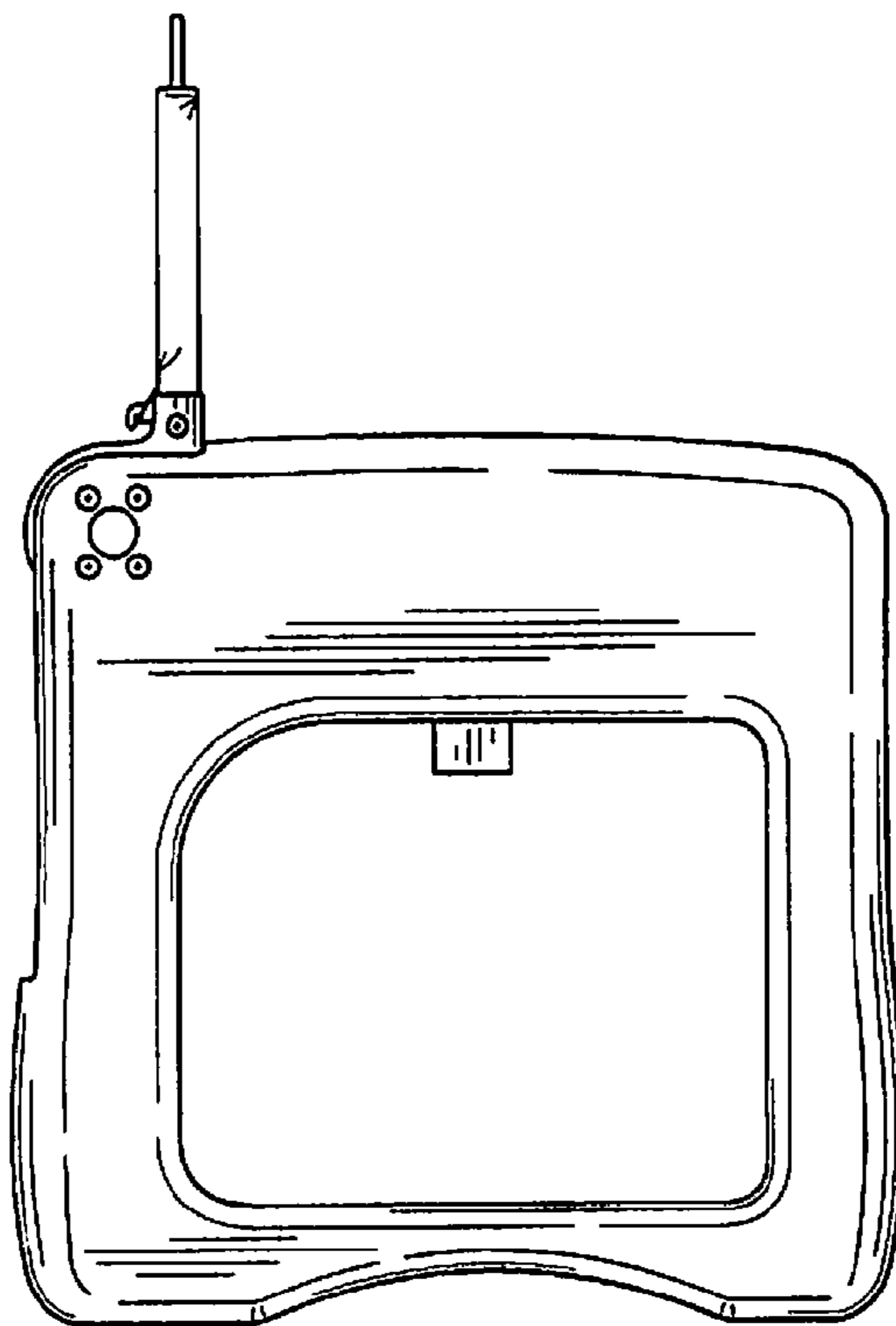


FIG. 5

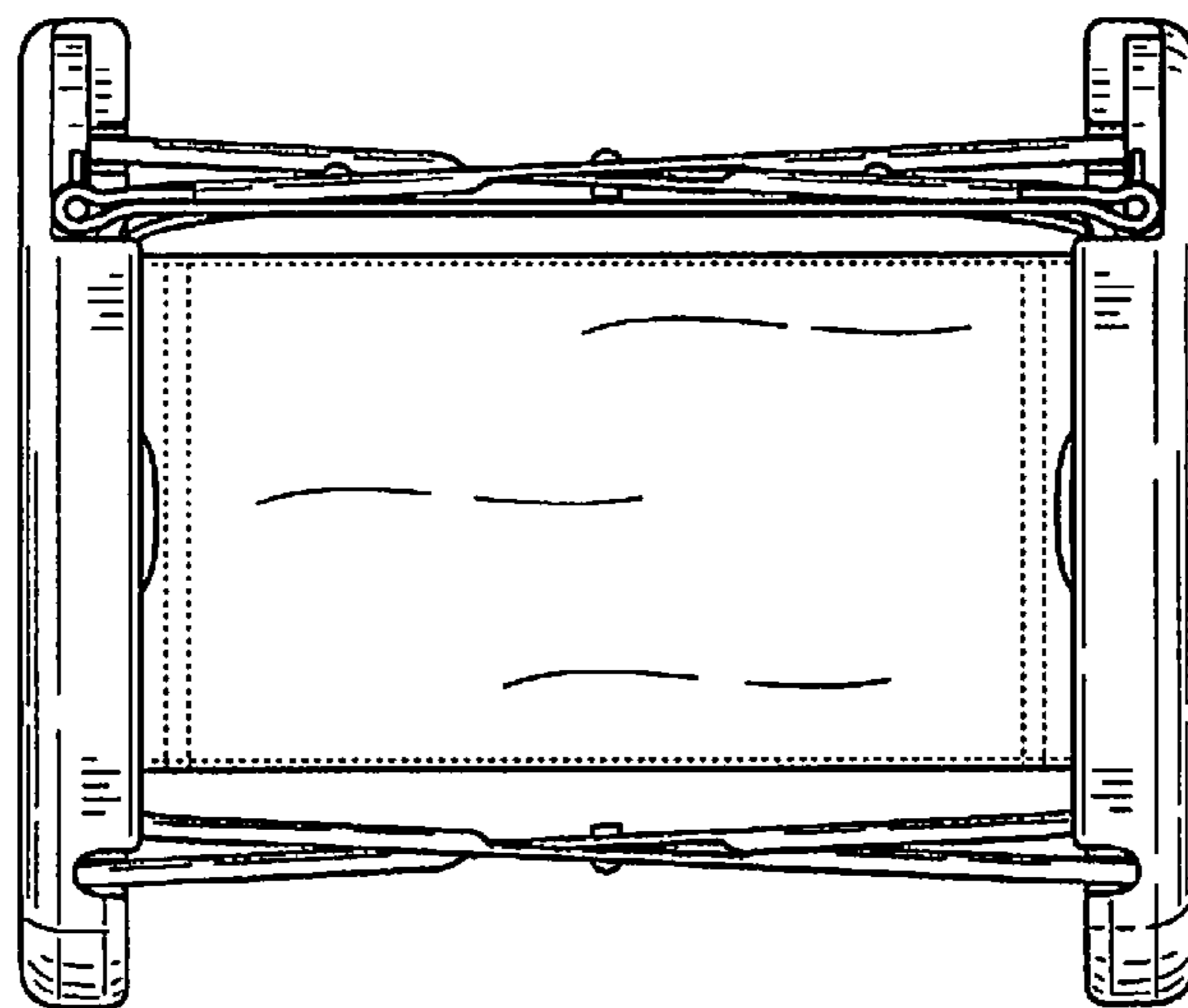


FIG. 6

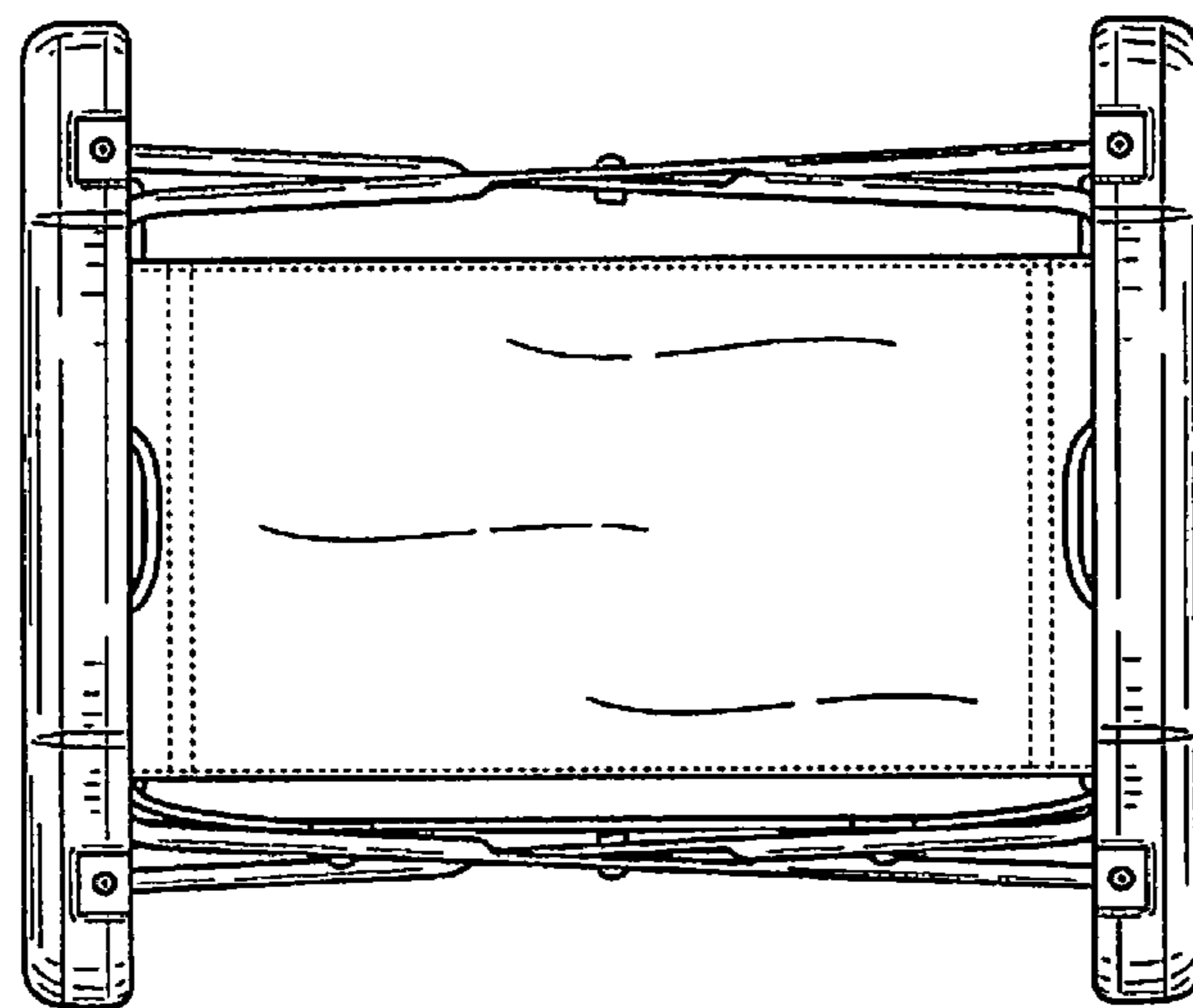


FIG. 7