



US00D683154S

(12) **United States Design Patent**
Hoelbl

(10) **Patent No.:** **US D683,154 S**
(45) **Date of Patent:** **** May 28, 2013**

(54) **OPHTHALMIC EXAMINATION CHAIR**

(71) Applicant: **Reichert, Inc.**, Depew, NY (US)

(72) Inventor: **Werner Hoelbl**, Vienna (AT)

(73) Assignee: **Reichert, Inc.**, Depew, NY (US)

(**) Term: **14 Years**

(21) Appl. No.: **29/435,890**

(22) Filed: **Oct. 30, 2012**

(51) **LOC (9) Cl.** **06-01**

(52) **U.S. Cl.**
USPC **D6/367**

(58) **Field of Classification Search**
USPC D6/334–336, 360, 361, 364, 367,
D6/374, 379, 500–502; 297/316, 330, 391,
297/396, 344.15, 344.17, 423.1, 423.18,
297/423.19, 451.4; D24/178, 183
See application file for complete search history.

(56) **References Cited**

U.S. PATENT DOCUMENTS

D236,299	S	*	8/1975	Long et al.	D6/360
D300,657	S	*	4/1989	Simpkins et al.	D24/183
D333,736	S	*	3/1993	Nordstrom	D6/367
D354,177	S	*	1/1995	Schwaegerle et al.	D6/360
D412,621	S	*	8/1999	Smith et al.	D6/367

OTHER PUBLICATIONS

Reichert, Inc., brochure “Advantage Chair Plus & Stand”, Jun. 2011, United States.

Reichert, Inc. (or predecessor), catalog page, “Premier Auto-Recline Chair”, May 1990, United States.

American Optical Co., catalog page showing photographs of the Custom II Ophthalmic Chair and Stand, at least as early as 1990, United States.

* cited by examiner

Primary Examiner — Mimoso De

(74) *Attorney, Agent, or Firm* — Hodgson Russ LLP

(57) **CLAIM**

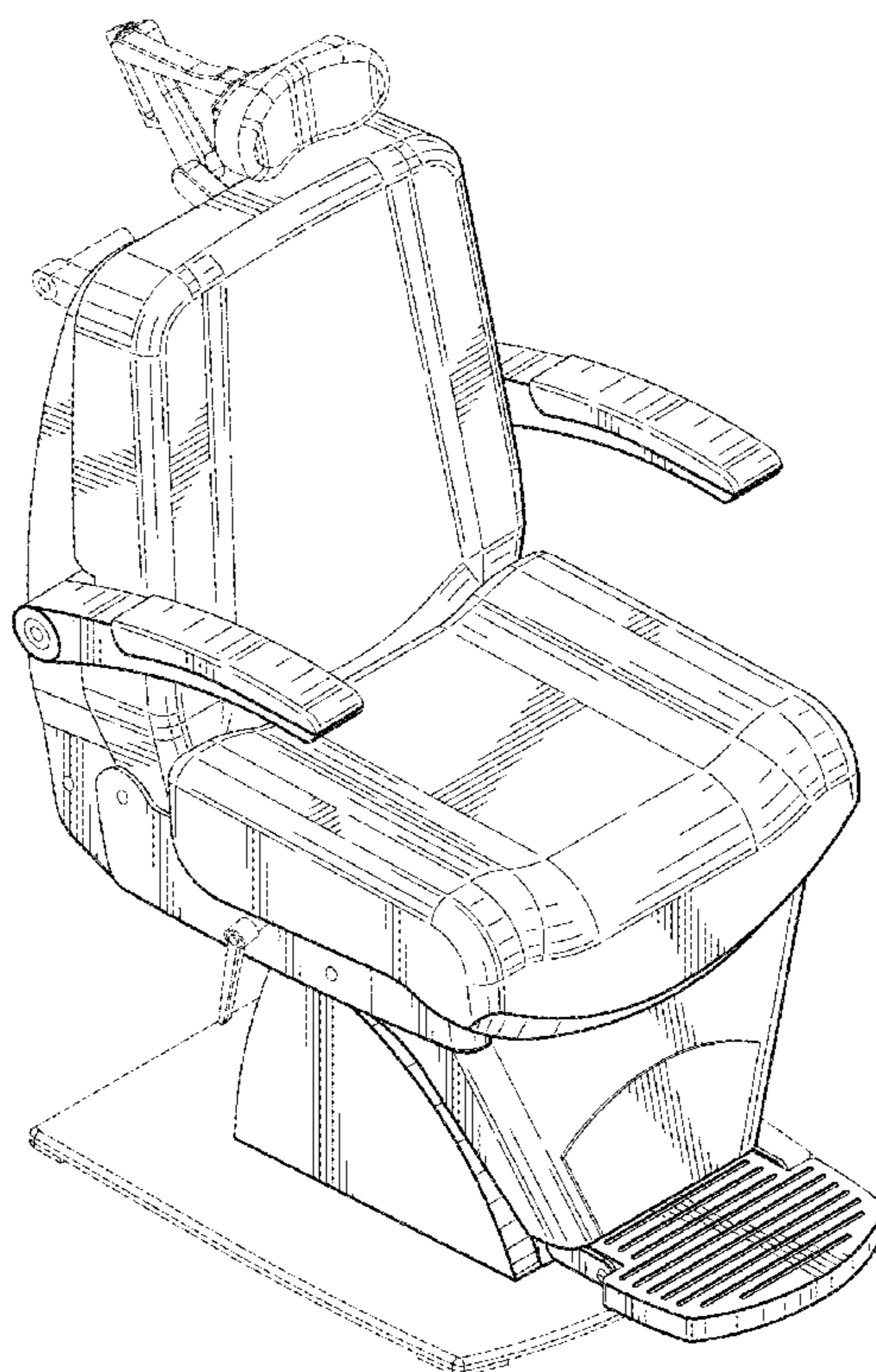
The ornamental design for an ophthalmic examination chair, as shown and described.

DESCRIPTION

FIG. 1 is a front perspective view of an ophthalmic examination chair showing my new design; FIG. 2 is a left side view thereof; FIG. 3 is a front view thereof; FIG. 4 is a right side view thereof; FIG. 5 is a top view thereof; FIG. 6 is a rear view thereof; and, FIG. 7 is a bottom view thereof.

The broken lines illustrate portions of the ophthalmic examination chair and form no part of the claimed design.

1 Claim, 6 Drawing Sheets



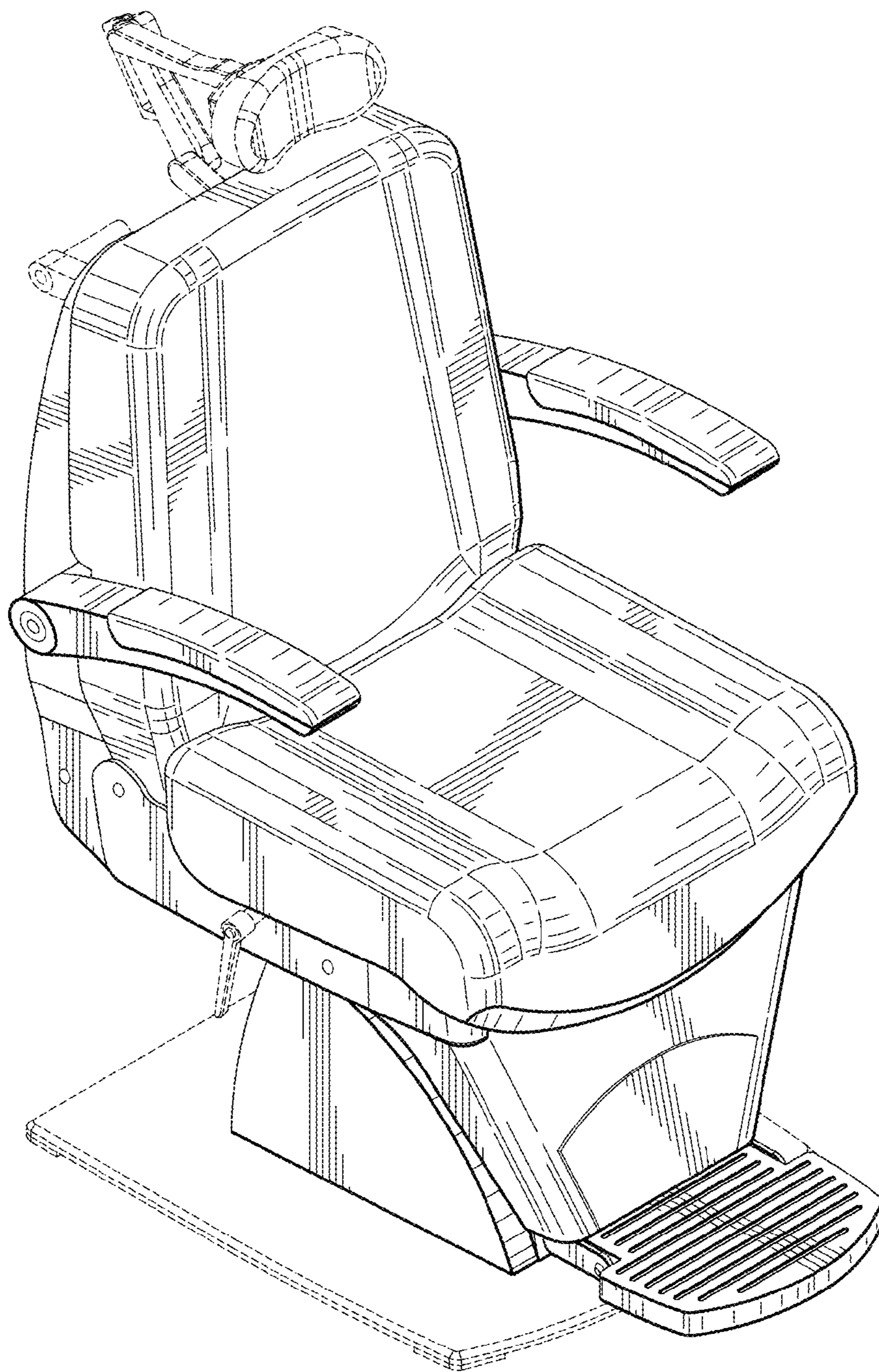


FIG. 1

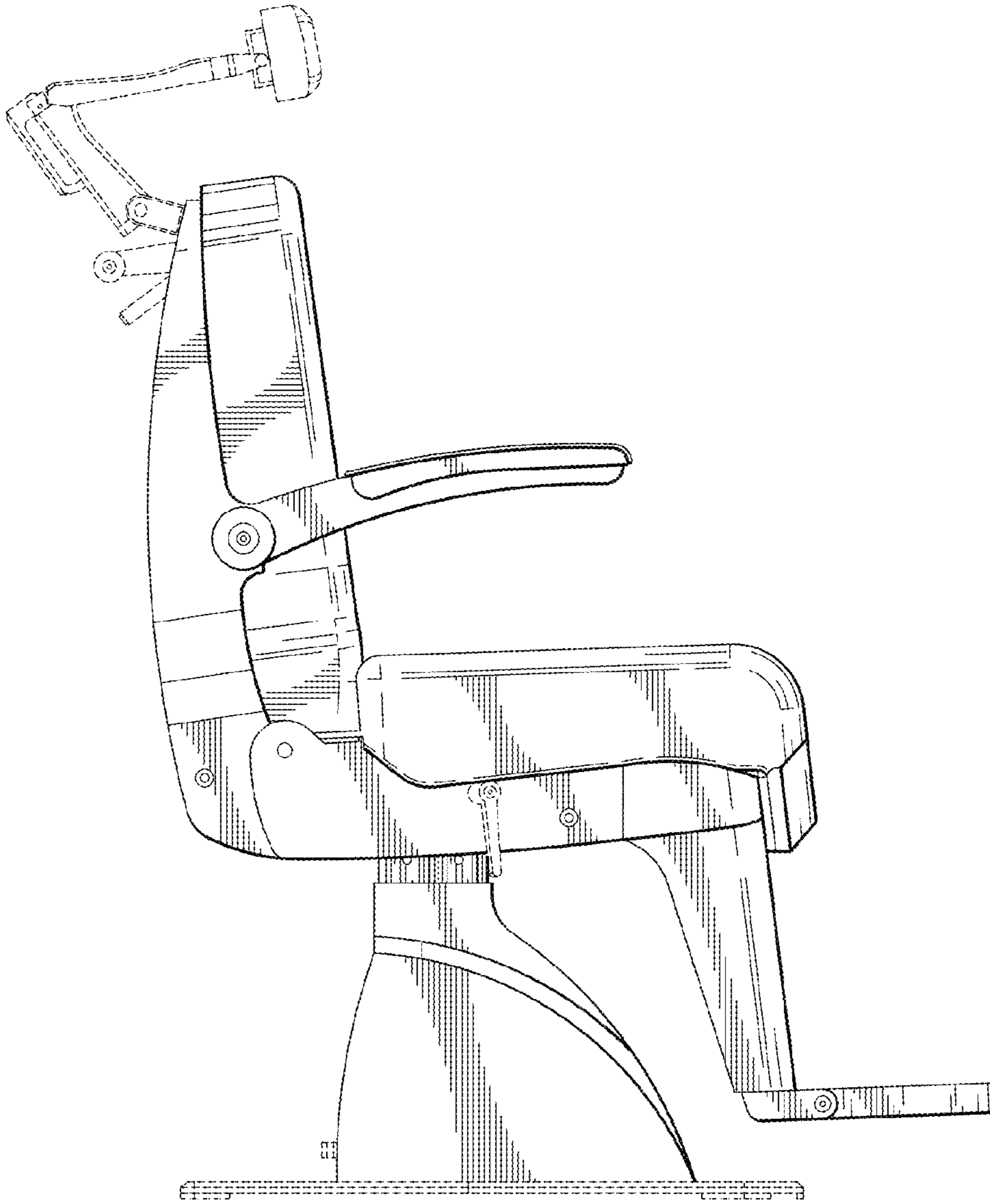


FIG. 2

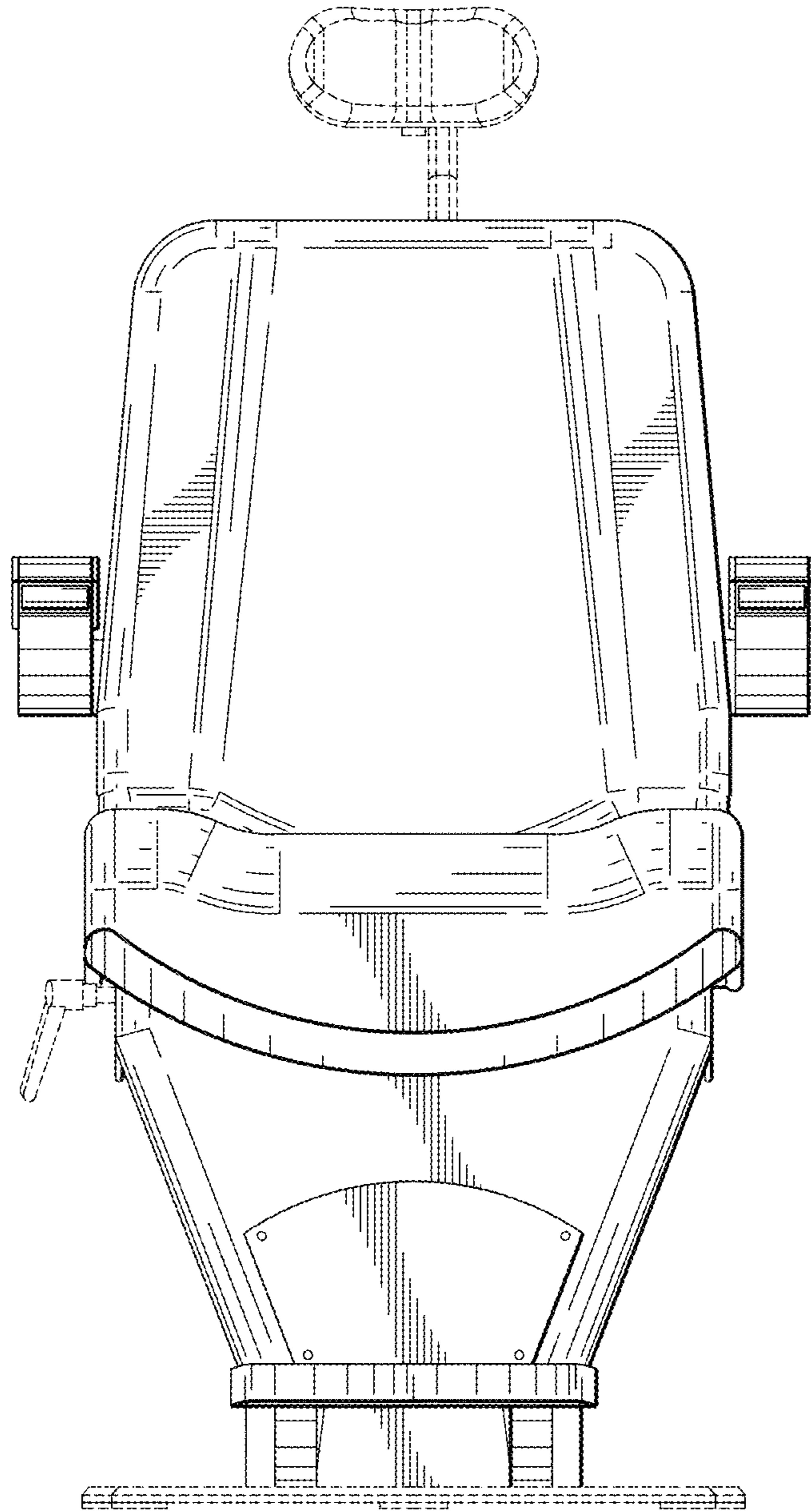


FIG. 3

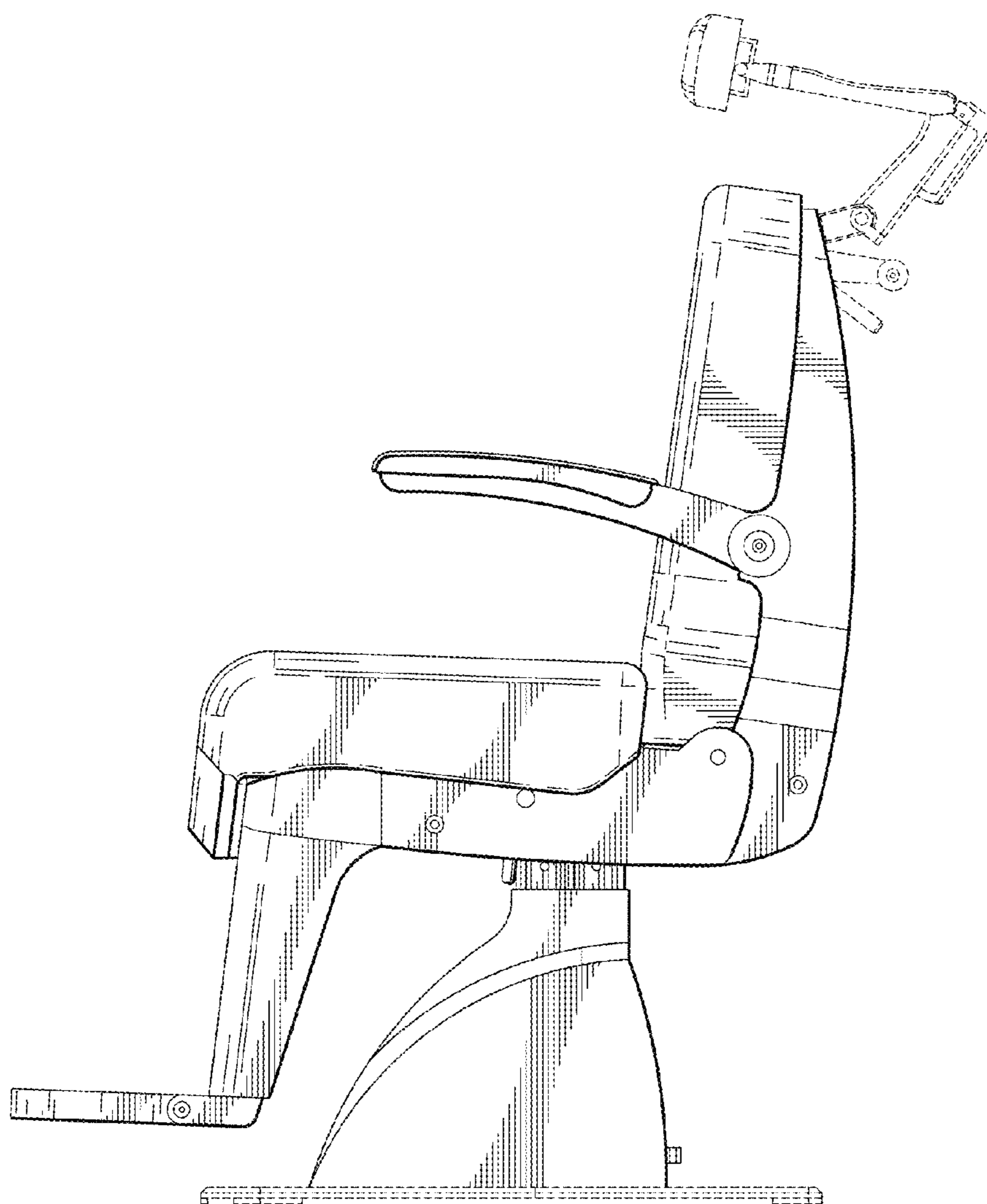


FIG. 4

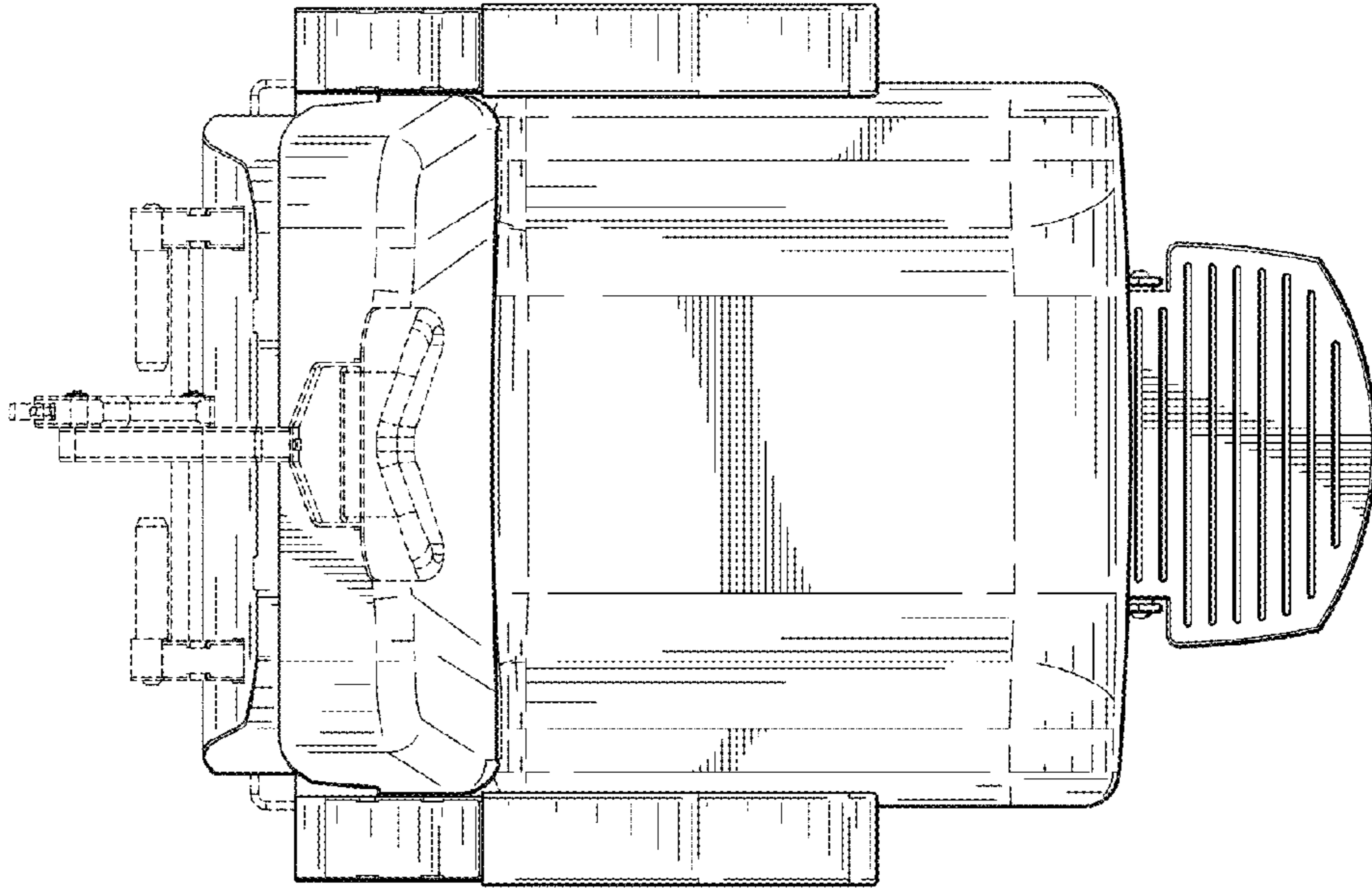


FIG. 5

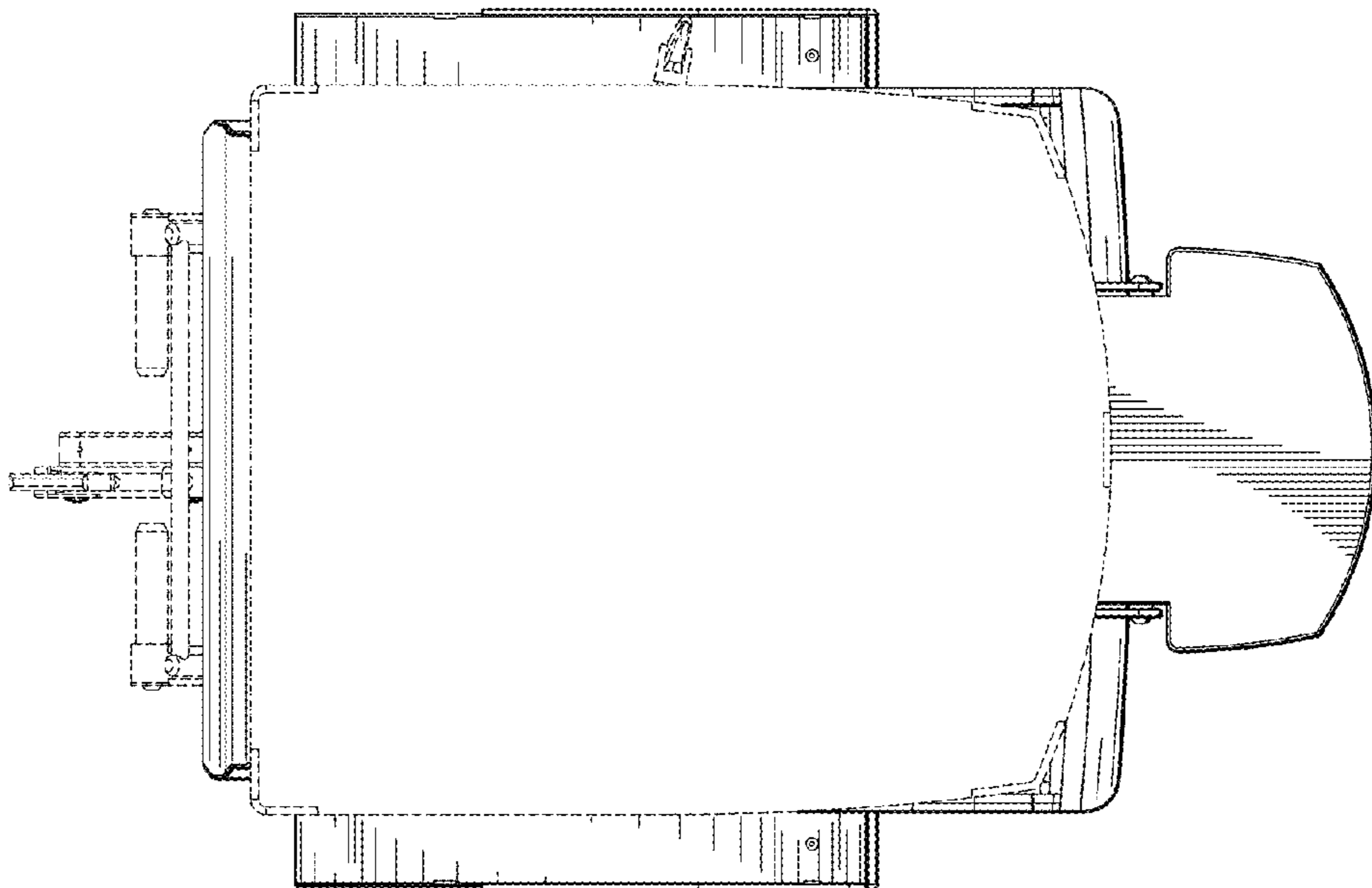


FIG. 7

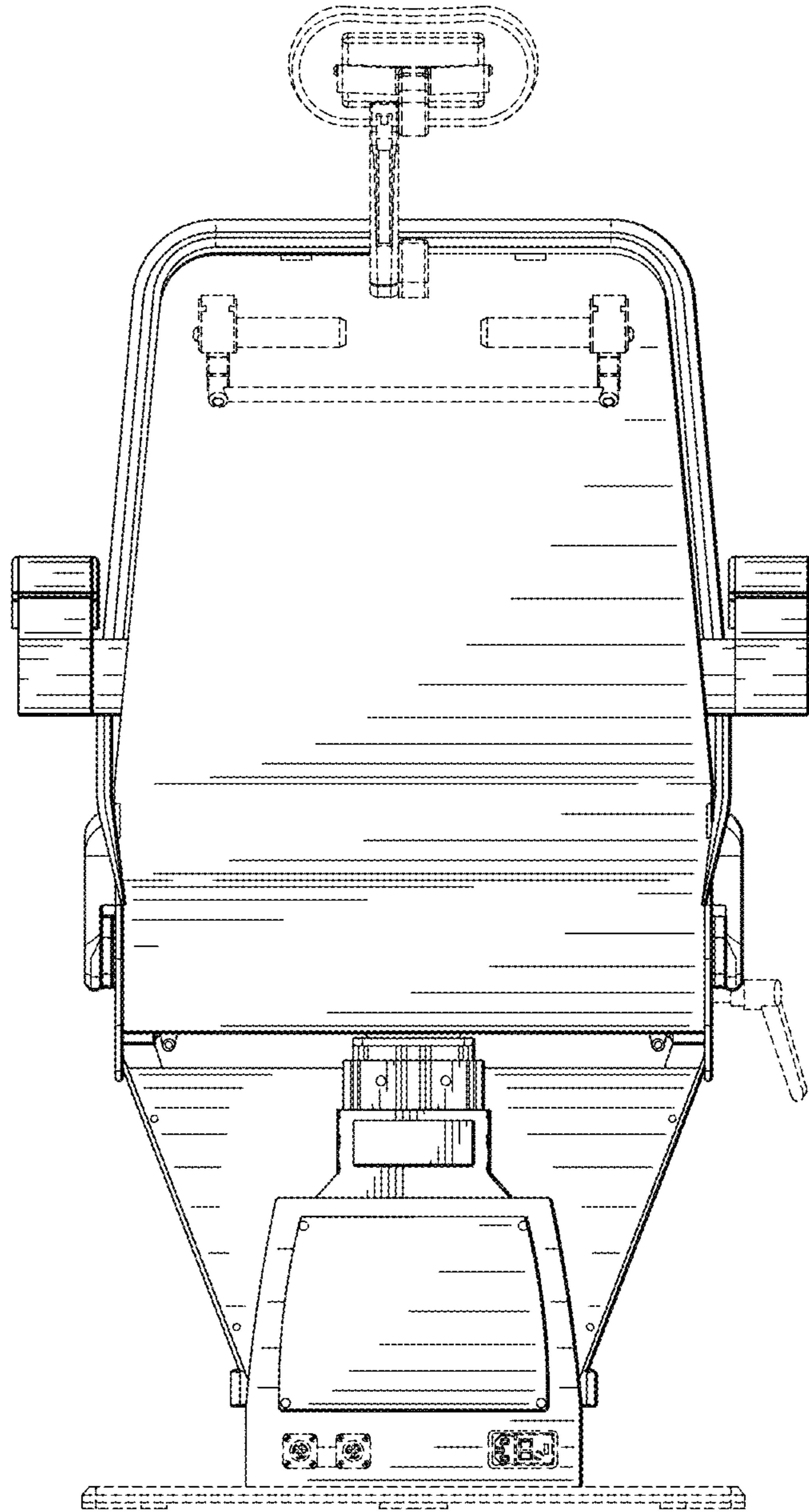


FIG. 6