



US00D683152S

(12) **United States Design Patent**  
**Potter**

(10) **Patent No.:** **US D683,152 S**  
(45) **Date of Patent:** **\*\* May 28, 2013**

(54) **MASSAGE CHAIR**

(75) Inventor: **David Potter**, Los Angeles, CA (US)

(73) Assignee: **Human Touch, LLC**, Long Beach, CA (US)

(\*\*) Term: **14 Years**

(21) Appl. No.: **29/422,903**

(22) Filed: **May 24, 2012**

(51) **LOC (9) Cl.** ..... **06-01**

(52) **U.S. Cl.**

USPC ..... **D6/367**

(58) **Field of Classification Search** ..... D6/334–336,  
D6/360, 361, 367, 371, 373, 379, 492, 500–502;  
297/68, 271.1, 271.2, 271.3, 353, 354.1,  
297/423.19, 423.3; 601/49, 57–59, 97, 98,  
601/99, 102, 115, 116, 148, 149

See application file for complete search history.

(56) **References Cited**

U.S. PATENT DOCUMENTS

D402,479 S *	12/1998	Inada	.....	D6/361
D506,085 S *	6/2005	Ohashi	.....	D6/361
D511,900 S *	11/2005	Inada et al.	.....	D6/367
D536,892 S *	2/2007	Lifeng	.....	D6/367
D536,893 S *	2/2007	Lifeng	.....	D6/367
D537,642 S *	3/2007	Potter	.....	D6/367

D539,051 S *	3/2007	Dehli et al.	.....	D6/367
D627,175 S *	11/2010	Chan	.....	D6/367
D655,931 S *	3/2012	Chuang et al.	.....	D6/367

\* cited by examiner

*Primary Examiner* — Mimoso De

(74) *Attorney, Agent, or Firm* — Christie, Parker & Hale, LLP

(57) **CLAIM**

The ornamental design for massage chair, as shown and described.

**DESCRIPTION**

FIG. 1 is a front perspective view of a massage chair; FIG. 2 is a front view of the massage chair of FIG. 1; FIG. 3 is a left side view of the massage chair of FIG. 1; FIG. 4 is a rear view of the massage chair of FIG. 1; FIG. 5 is a right side view of the massage chair of FIG. 1; FIG. 6 is a top view of the massage chair of FIG. 1; FIG. 7 is a front perspective view of another alternate embodiment of the massage chair of FIG. 1; FIG. 8 is a front view of the massage chair of FIG. 7; FIG. 9 is a left side view of the massage chair of FIG. 7; FIG. 10 is a rear view of the massage chair of FIG. 7; FIG. 11 is a right side view of the massage chair of FIG. 7; and, FIG. 12 is a top view of the massage chair of FIG. 7. The broken lines shown in the drawing are for illustrative purposes only and form no part of the claimed design.

**1 Claim, 12 Drawing Sheets**

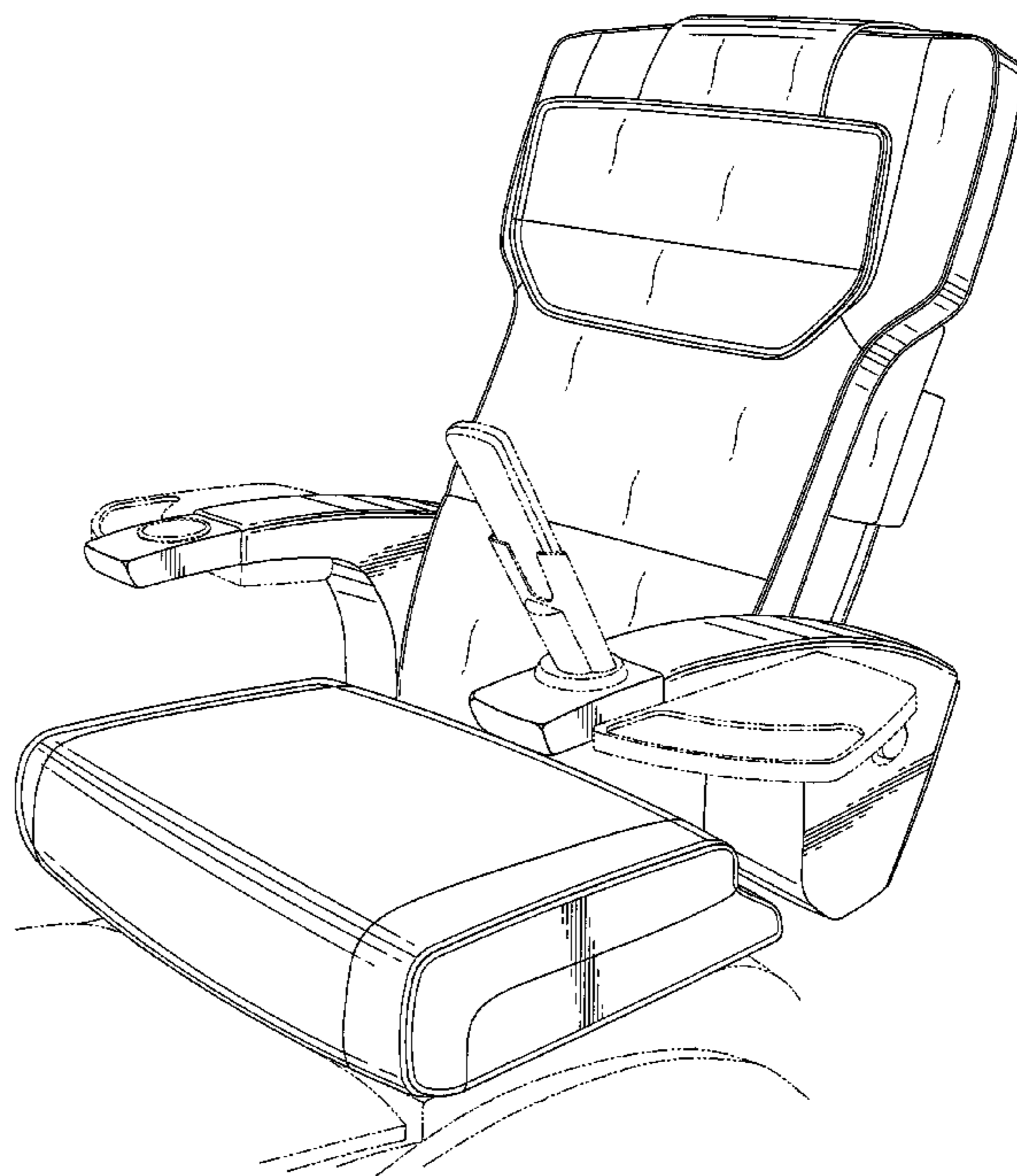
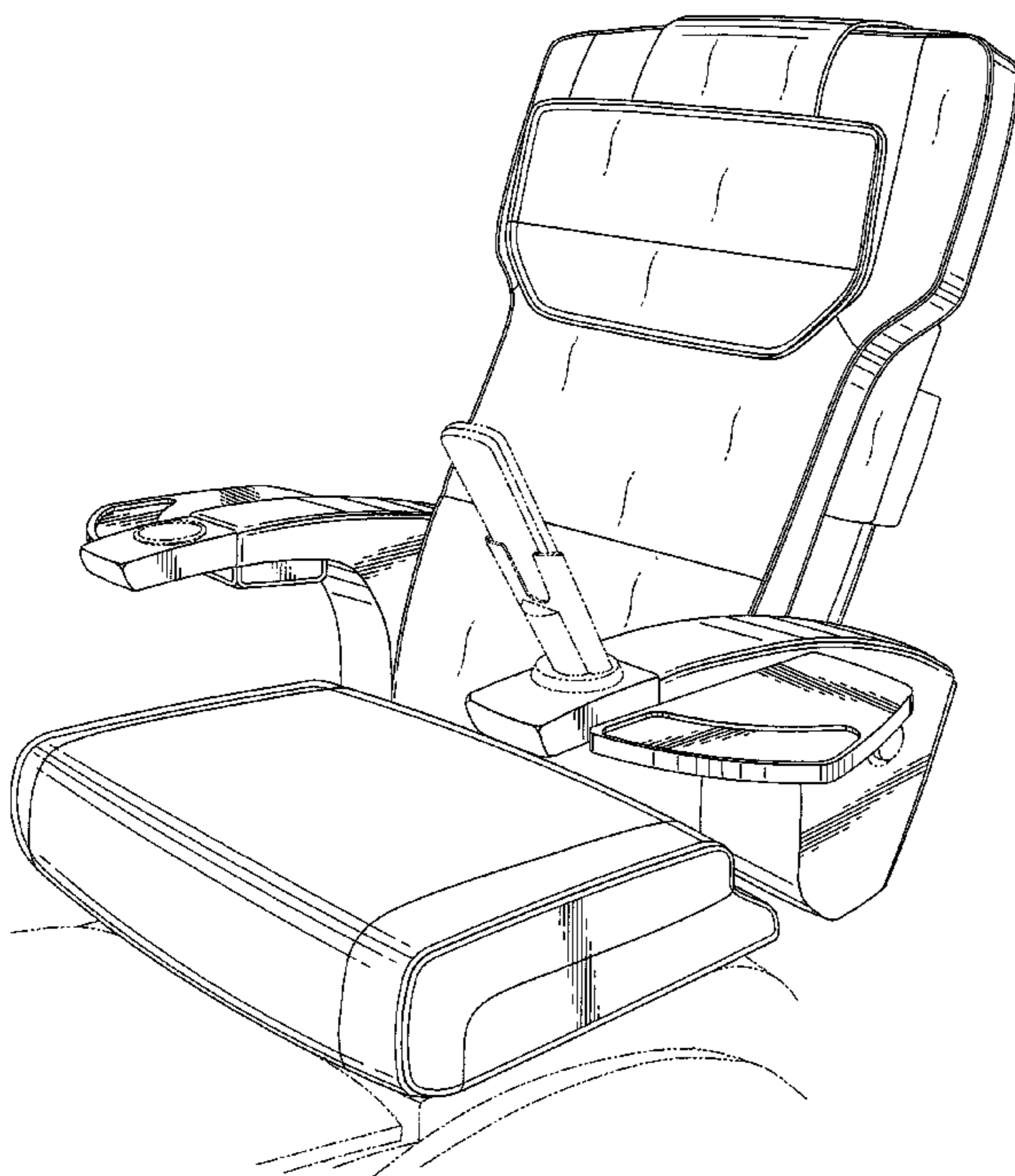


FIG. 1

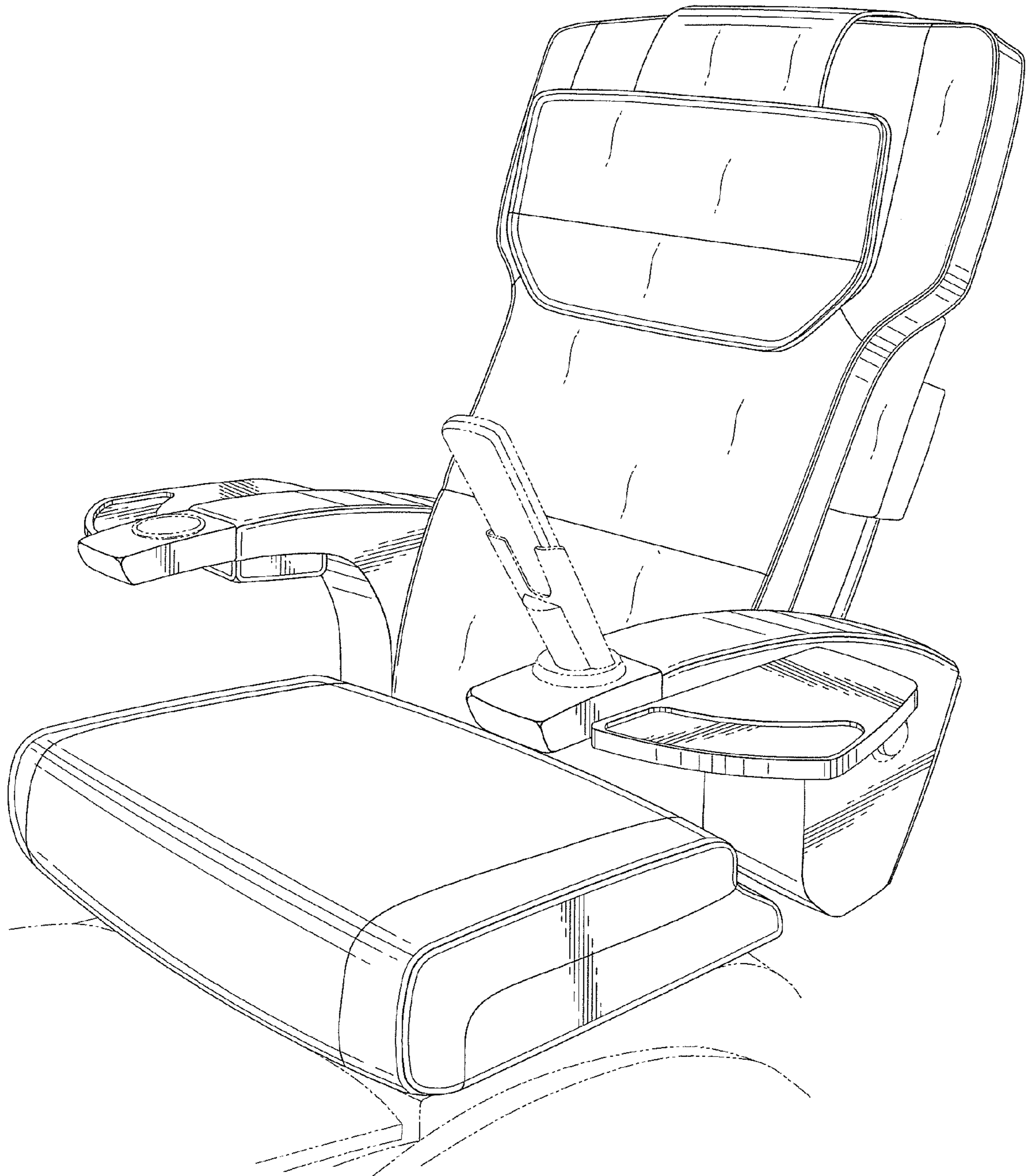


FIG. 2

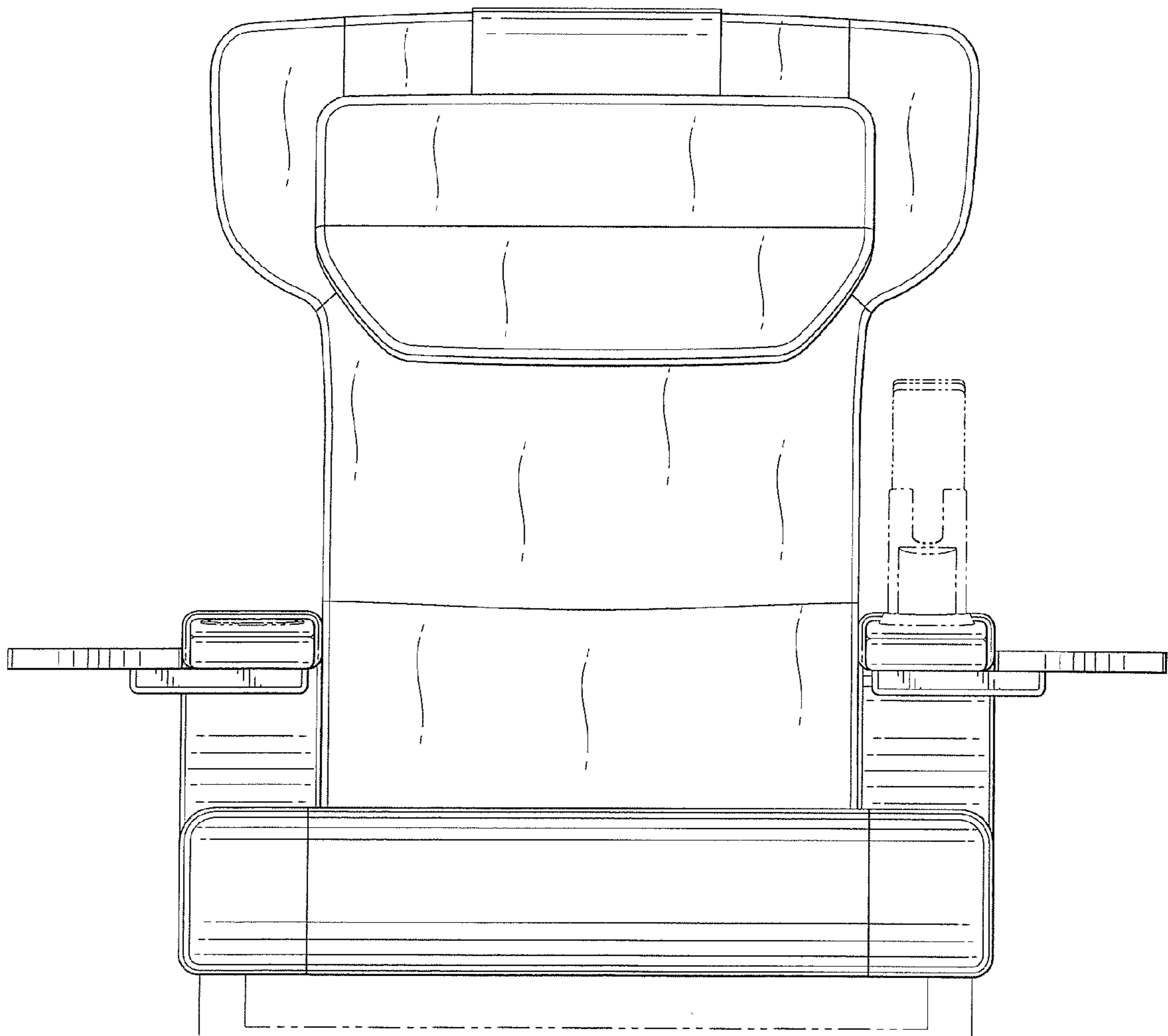


FIG. 3

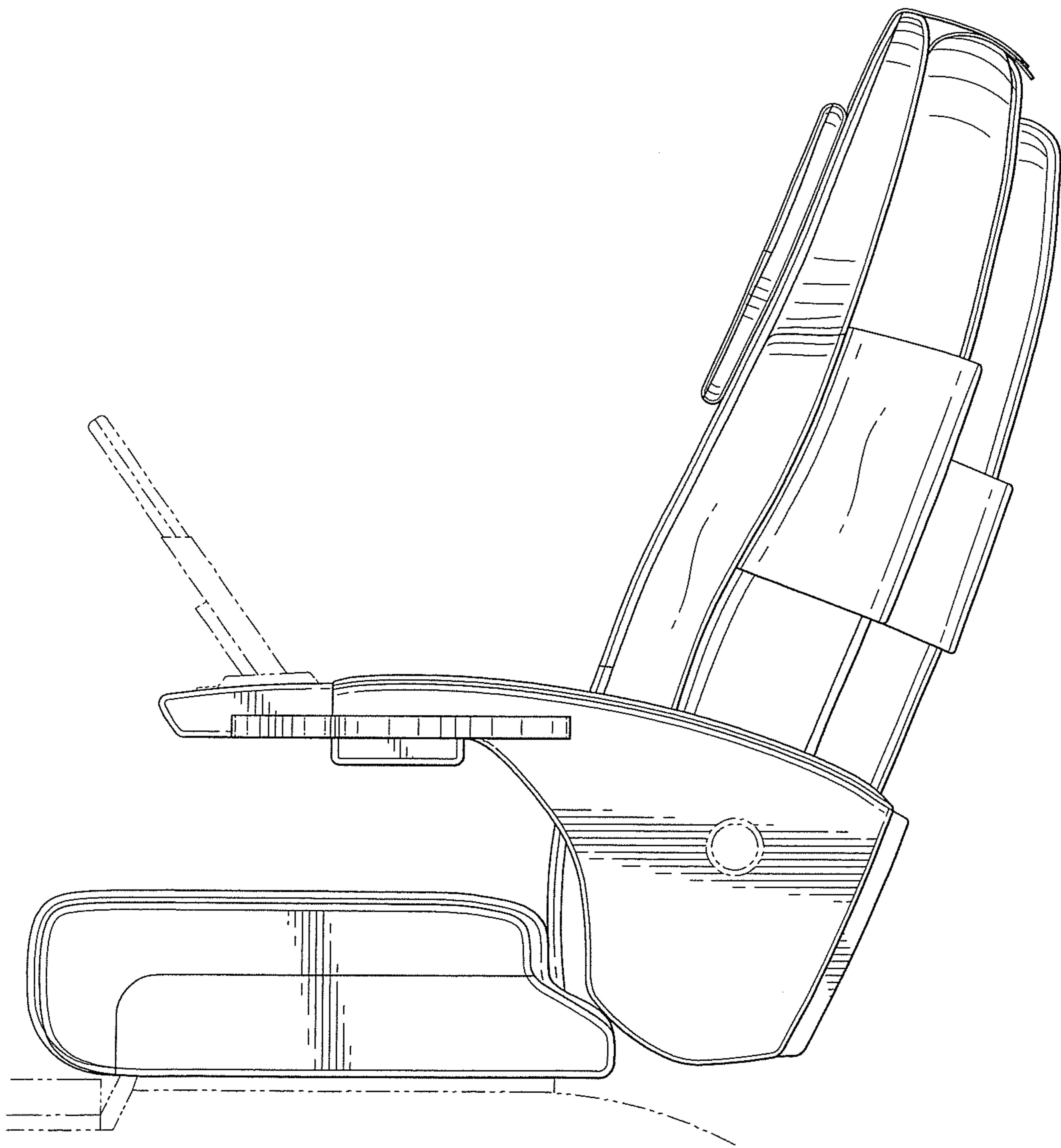


FIG. 4

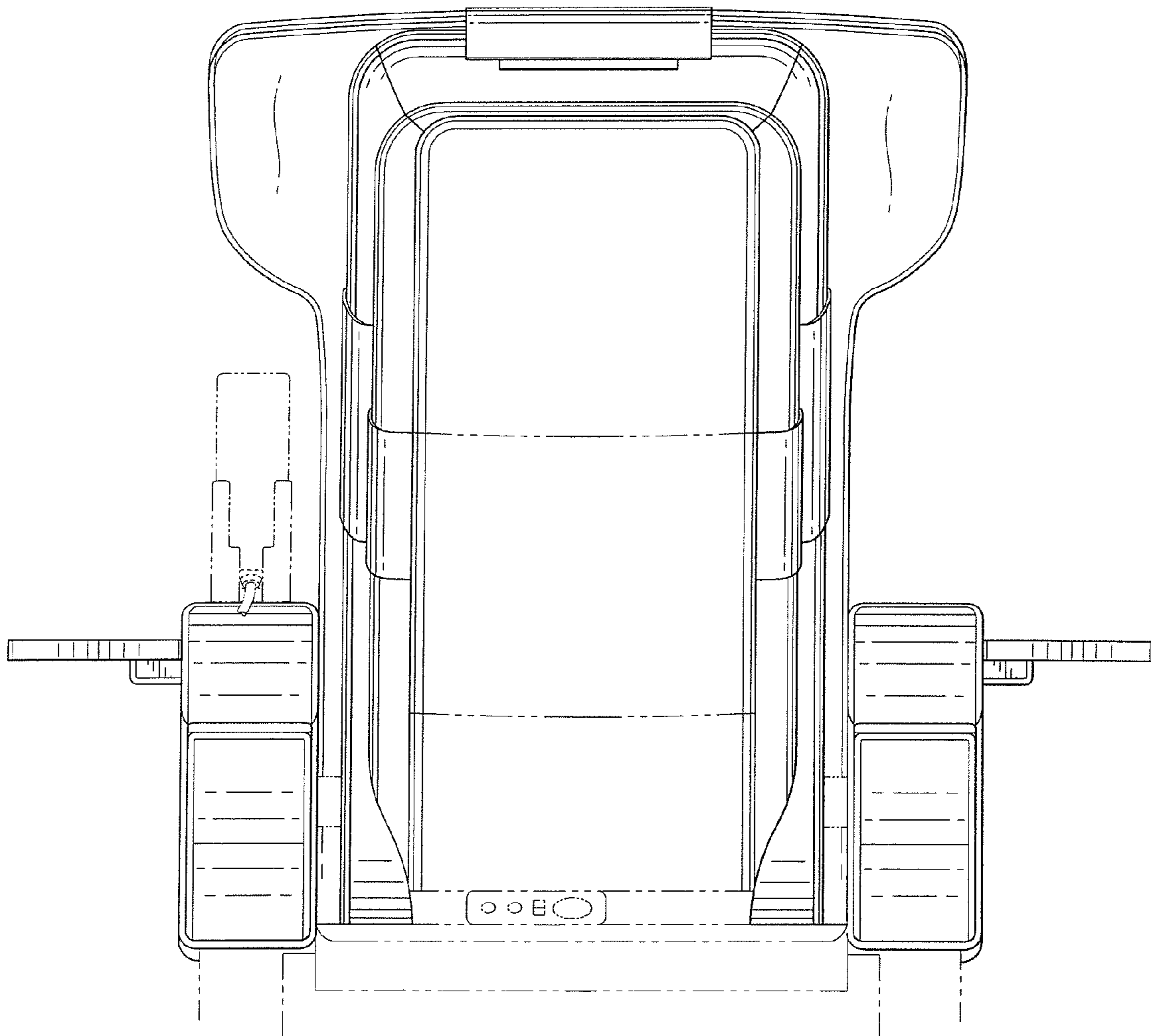


FIG. 5

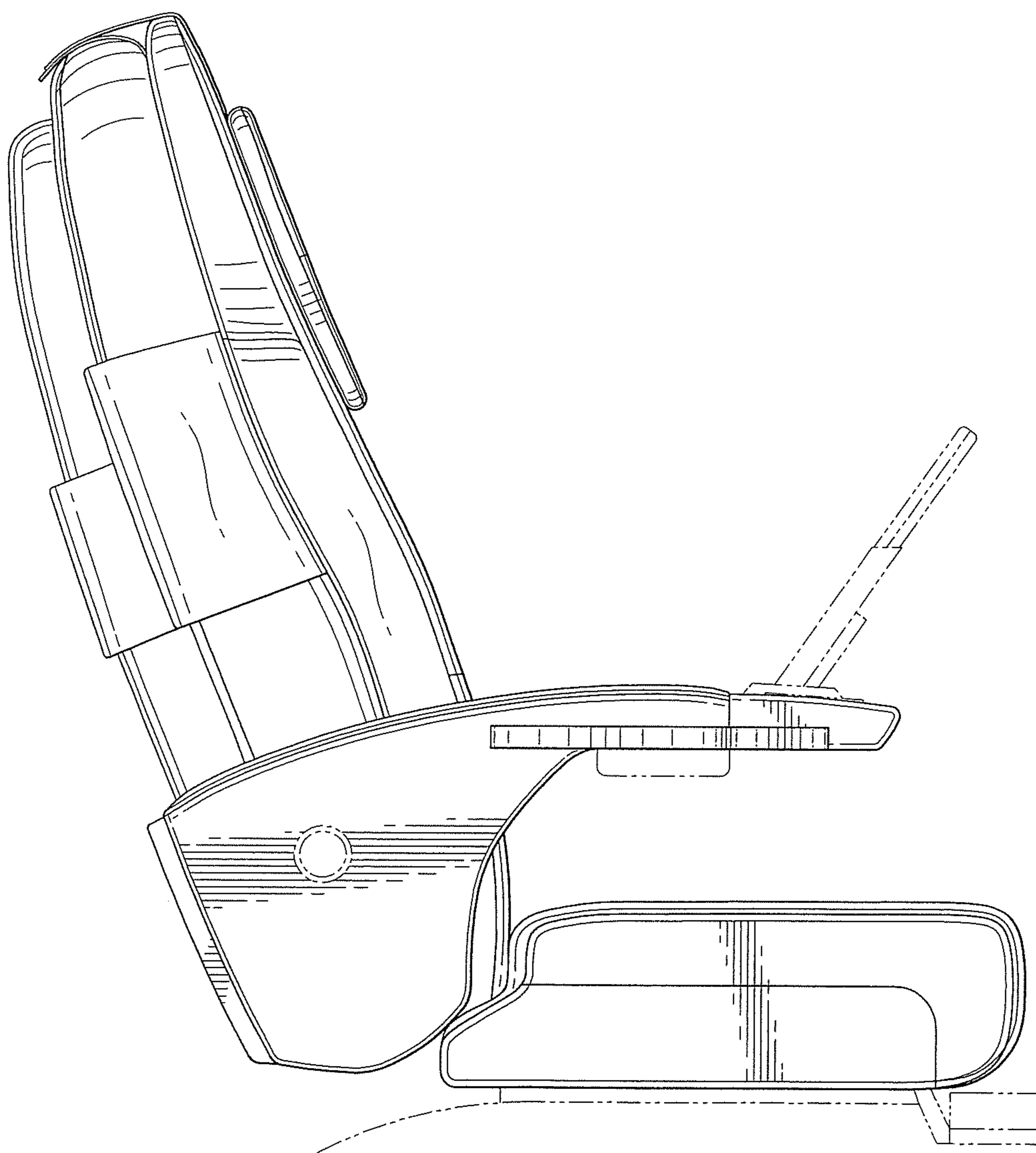


FIG. 6

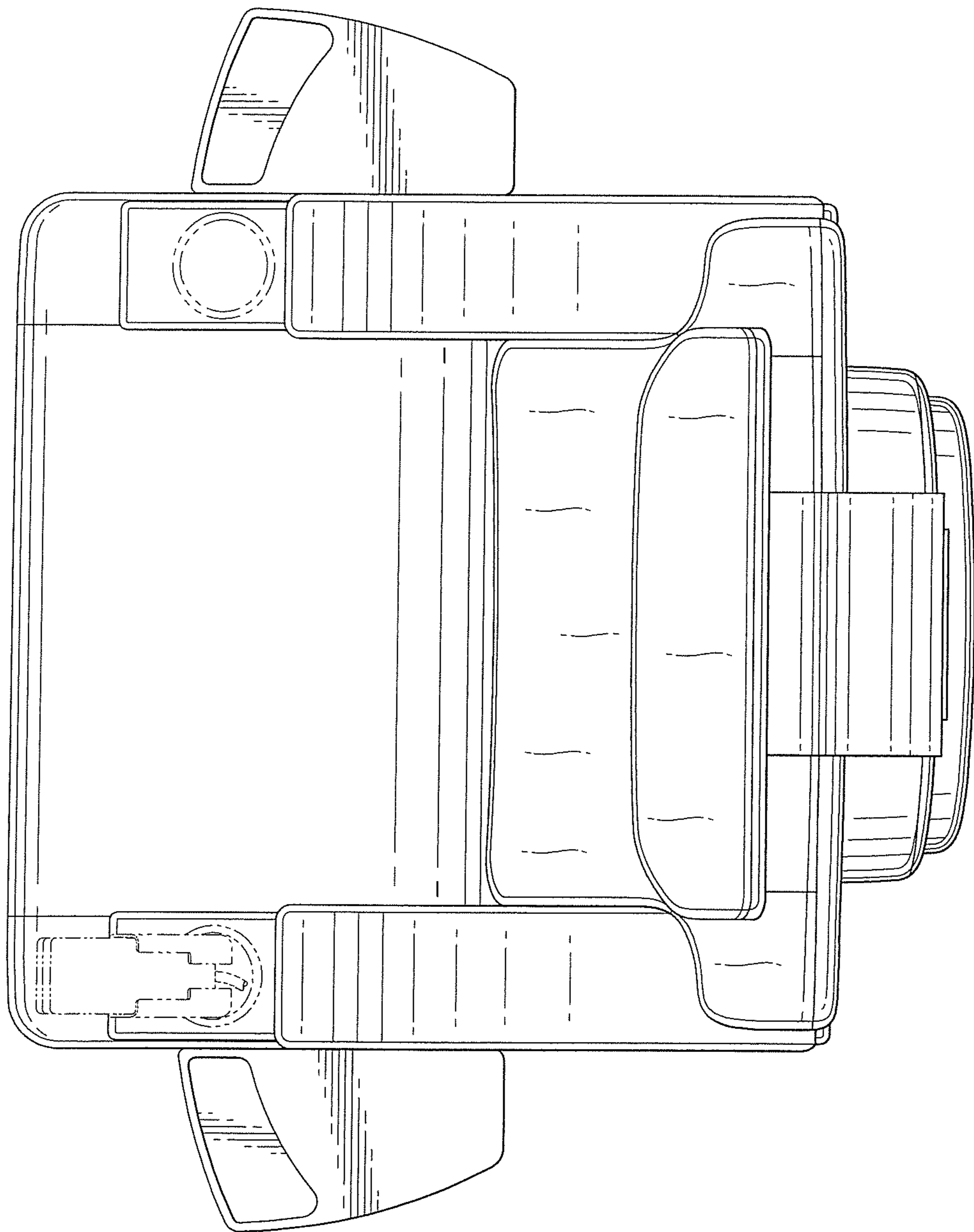


FIG. 7

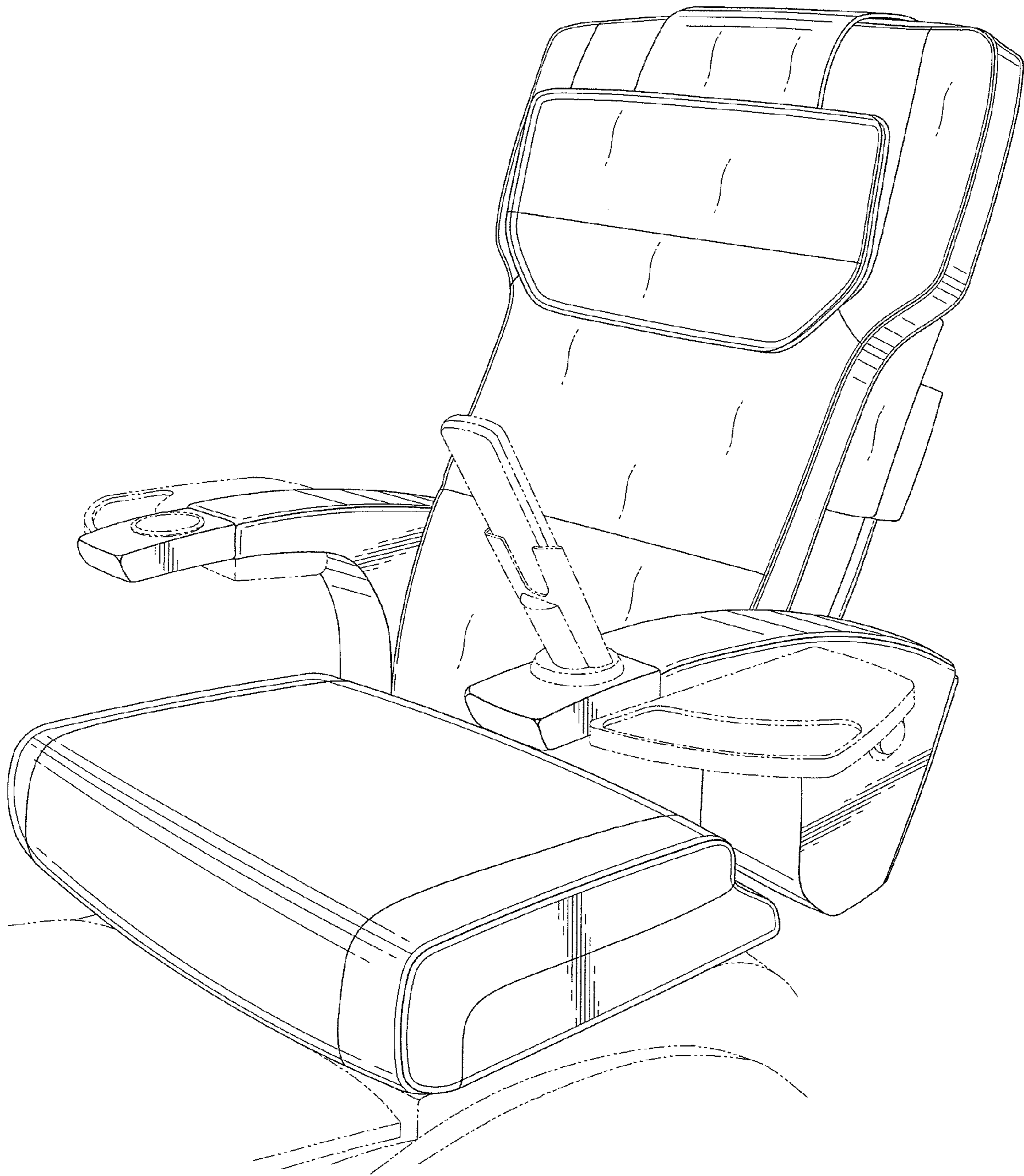




FIG. 8

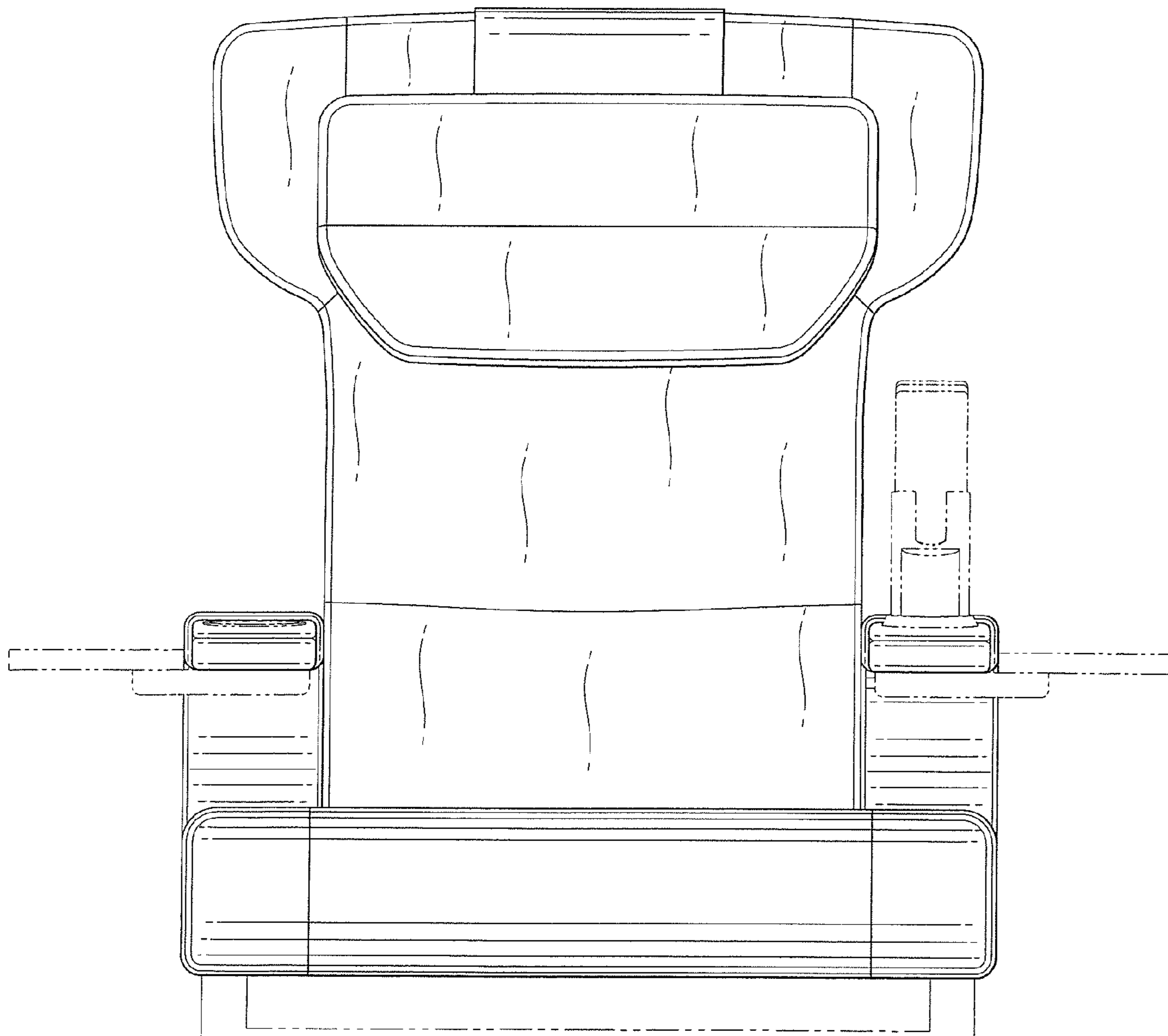


FIG. 9

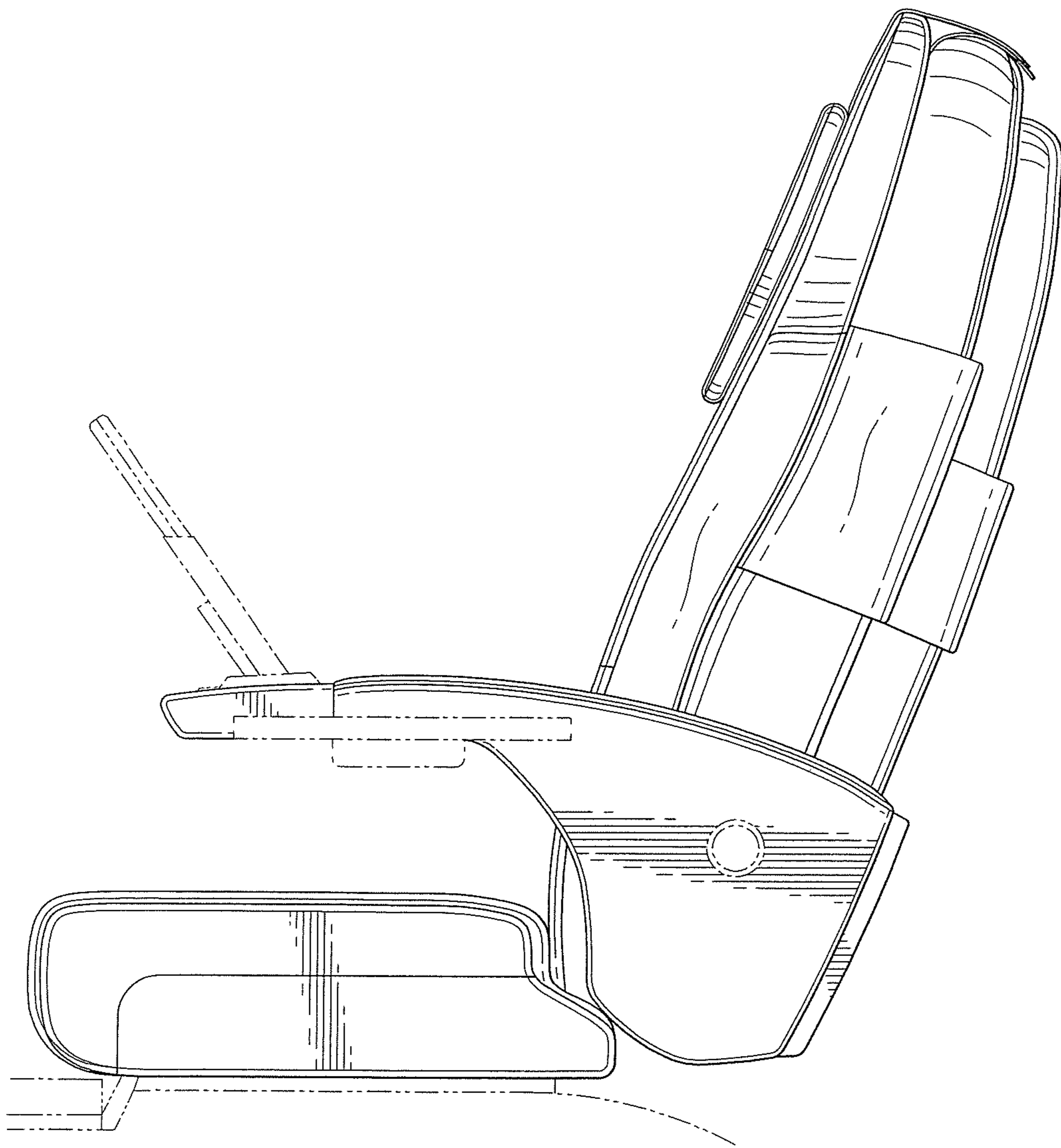
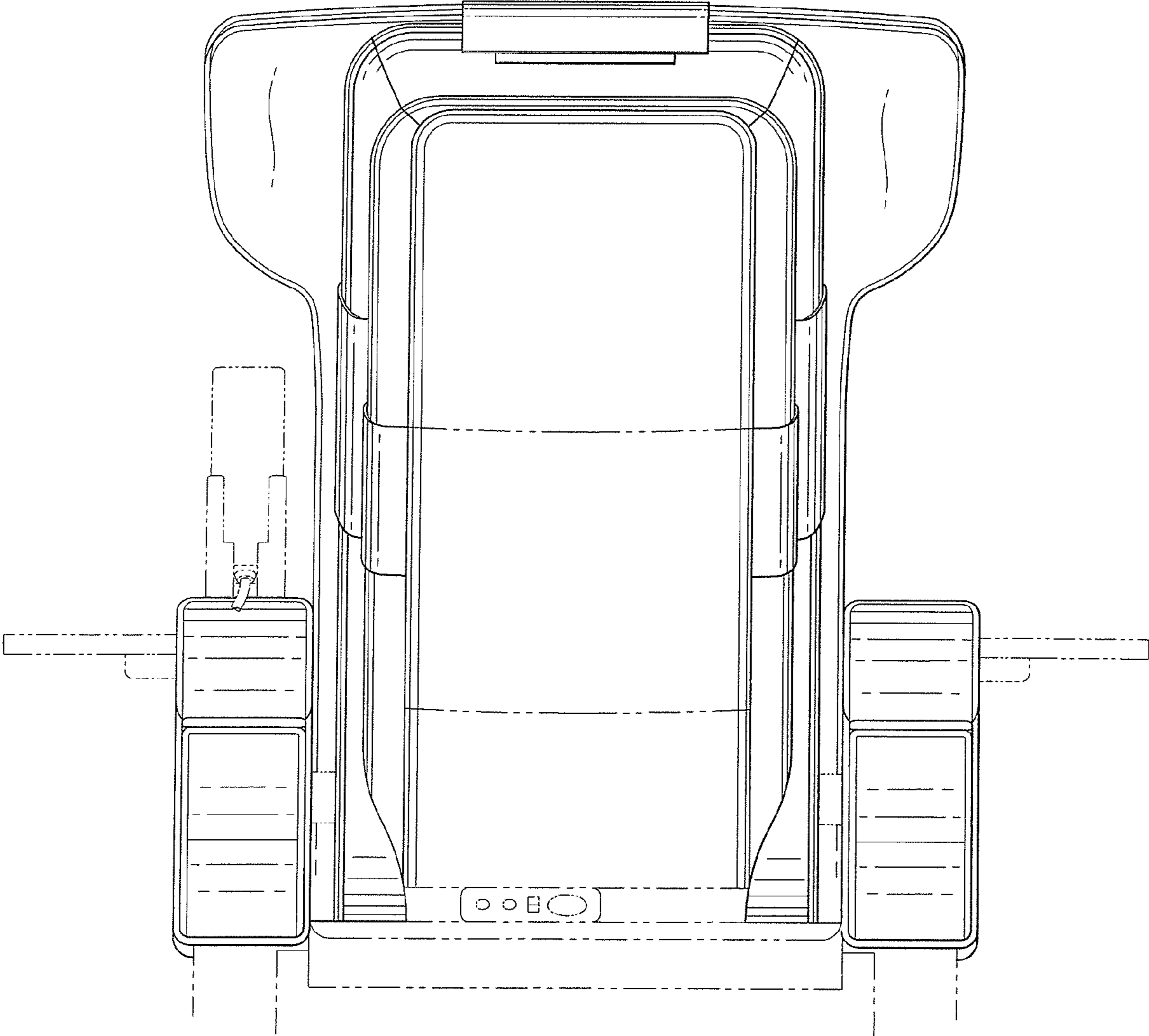


FIG. 10



*FIG. 11*

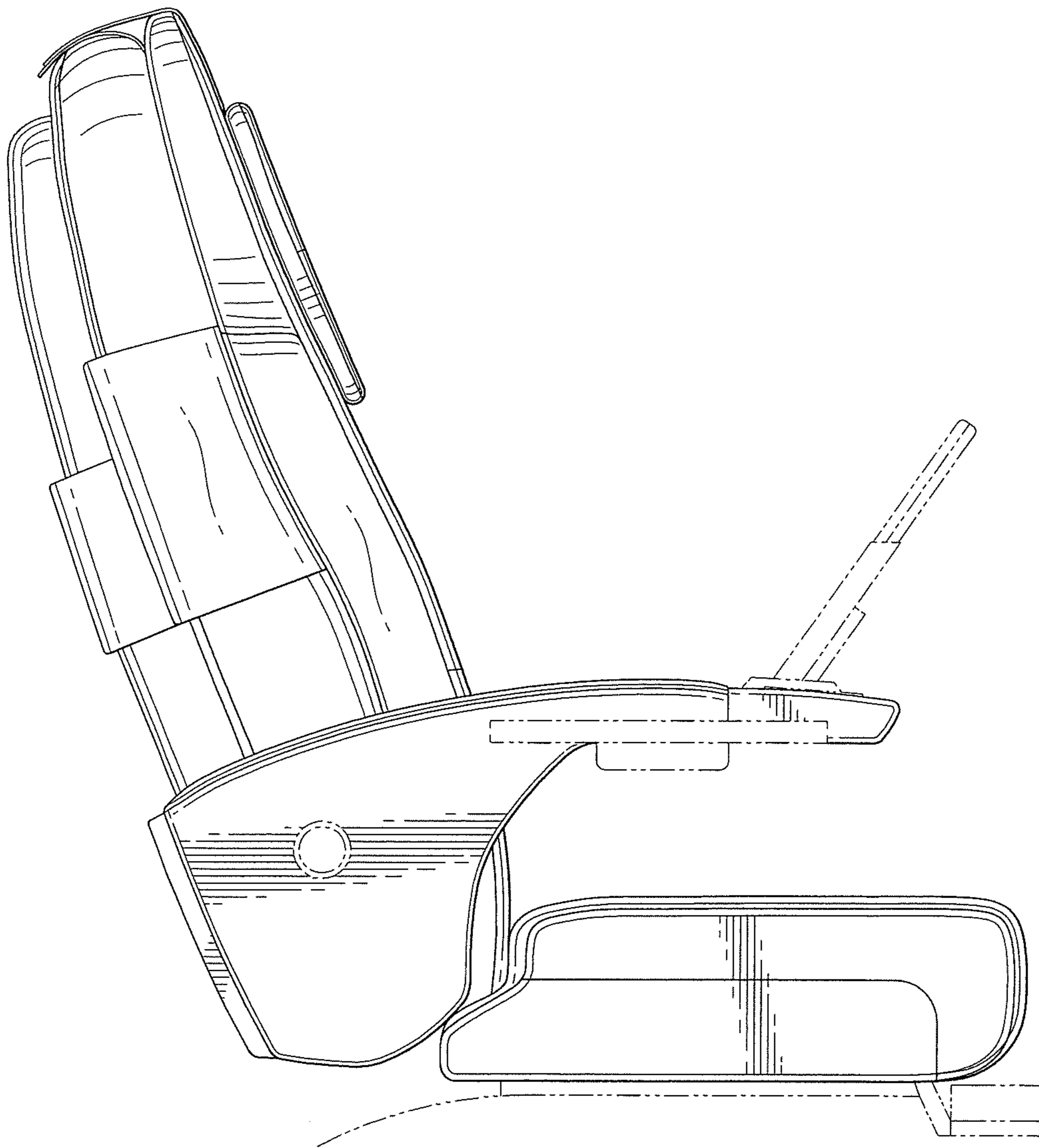


FIG. 12

