



US00D683151S

(12) **United States Design Patent**
Smith et al.

(10) **Patent No.:** **US D683,151 S**
(45) **Date of Patent:** **** May 28, 2013**

(54) **CHAIR**

(71) Applicants: **Bruce M. Smith**, East Grand Rapids, MI (US); **Glen Oliver Löw**, Hamburg (DE); **James N. Ludwig**, East Grand Rapids, MI (US); **Robert J. Battey**, Middleville, MI (US); **Gordon Jay Peterson**, Rockford, MI (US)

(72) Inventors: **Bruce M. Smith**, East Grand Rapids, MI (US); **Glen Oliver Löw**, Hamburg (DE); **James N. Ludwig**, East Grand Rapids, MI (US); **Robert J. Battey**, Middleville, MI (US); **Gordon Jay Peterson**, Rockford, MI (US)

(73) Assignee: **Steelcase Inc.**, Grand Rapids, MI (US)

(**) Term: **14 Years**

(21) Appl. No.: **29/432,796**

(22) Filed: **Sep. 20, 2012**

(51) **LOC (9) Cl.** **06-01**

(52) **U.S. Cl.**
USPC **D6/366**

(58) **Field of Classification Search** D6/334-336,
D6/364, 365, 366, 367, 374, 379, 380, 498,
D6/500-502; 297/284.4, 391, 396, 411.27,
297/452.21, 452.26, 452.29, 452.3, 452.32,
297/452.48

See application file for complete search history.

(56) **References Cited**

U.S. PATENT DOCUMENTS

3,226,159 A	12/1965	Binding et al.
4,711,491 A	12/1987	Ginat
5,439,267 A	8/1995	Peterson et al.
5,599,067 A	2/1997	Schuelke et al.
5,725,276 A	3/1998	Ginat
5,772,282 A	6/1998	Stumpf et al.
5,871,258 A	2/1999	Battey et al.
5,934,758 A	8/1999	Ritch et al.

5,975,634 A	11/1999	Knoblock et al.
6,000,759 A	12/1999	Pedronno et al.
6,035,901 A	3/2000	Stumpf et al.
6,039,397 A	3/2000	Ginat
D423,261 S	4/2000	Ritch et al.
6,053,578 A	4/2000	Van Hekken et al.
6,059,366 A	5/2000	Hu
6,059,368 A	5/2000	Stumpf et al.
6,076,892 A	6/2000	Van Hekken et al.
6,079,785 A	6/2000	Peterson et al.
6,086,156 A	7/2000	Breen et al.
6,113,192 A	9/2000	Schneider
6,125,521 A	10/2000	Stumpf et al.
D436,456 S	1/2001	Neil
6,178,595 B1	1/2001	Marinoni
6,199,947 B1	3/2001	Wiklund

(Continued)

FOREIGN PATENT DOCUMENTS

EP	2233043	9/2010
JP	11290154	10/1999
JP	2004155269	6/2004

OTHER PUBLICATIONS

Haworth X99 Chair Brochure.

(Continued)

Primary Examiner — Mimoso De

(74) *Attorney, Agent, or Firm* — Price Heneveld LLP

(57) **CLAIM**

We claim the ornamental design for the chair, as shown and described.

DESCRIPTION

FIG. 1 is a perspective view of a chair embodying the present invention;

FIG. 2 is a front view of the chair;

FIG. 3 is a first side view of the chair;

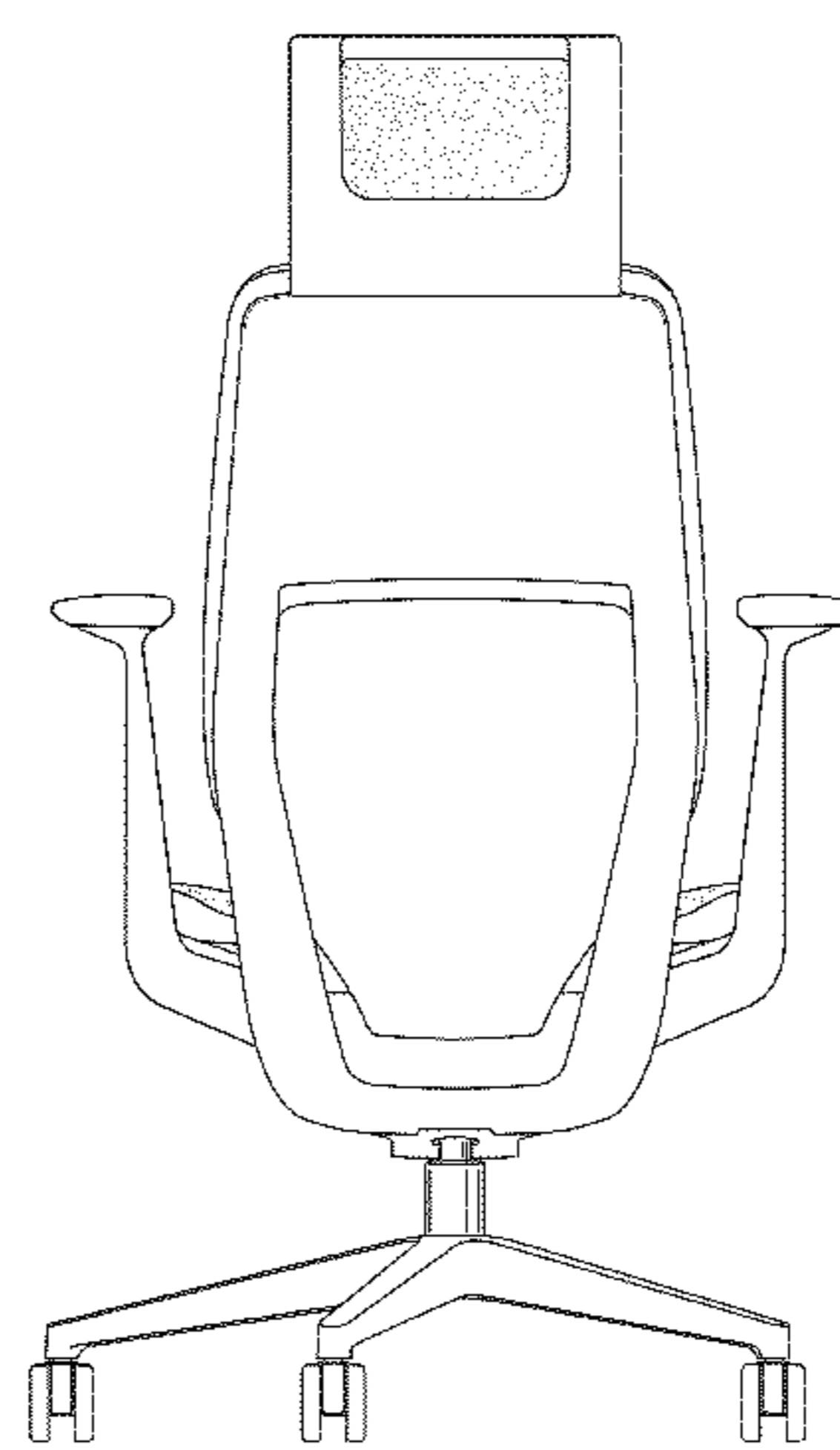
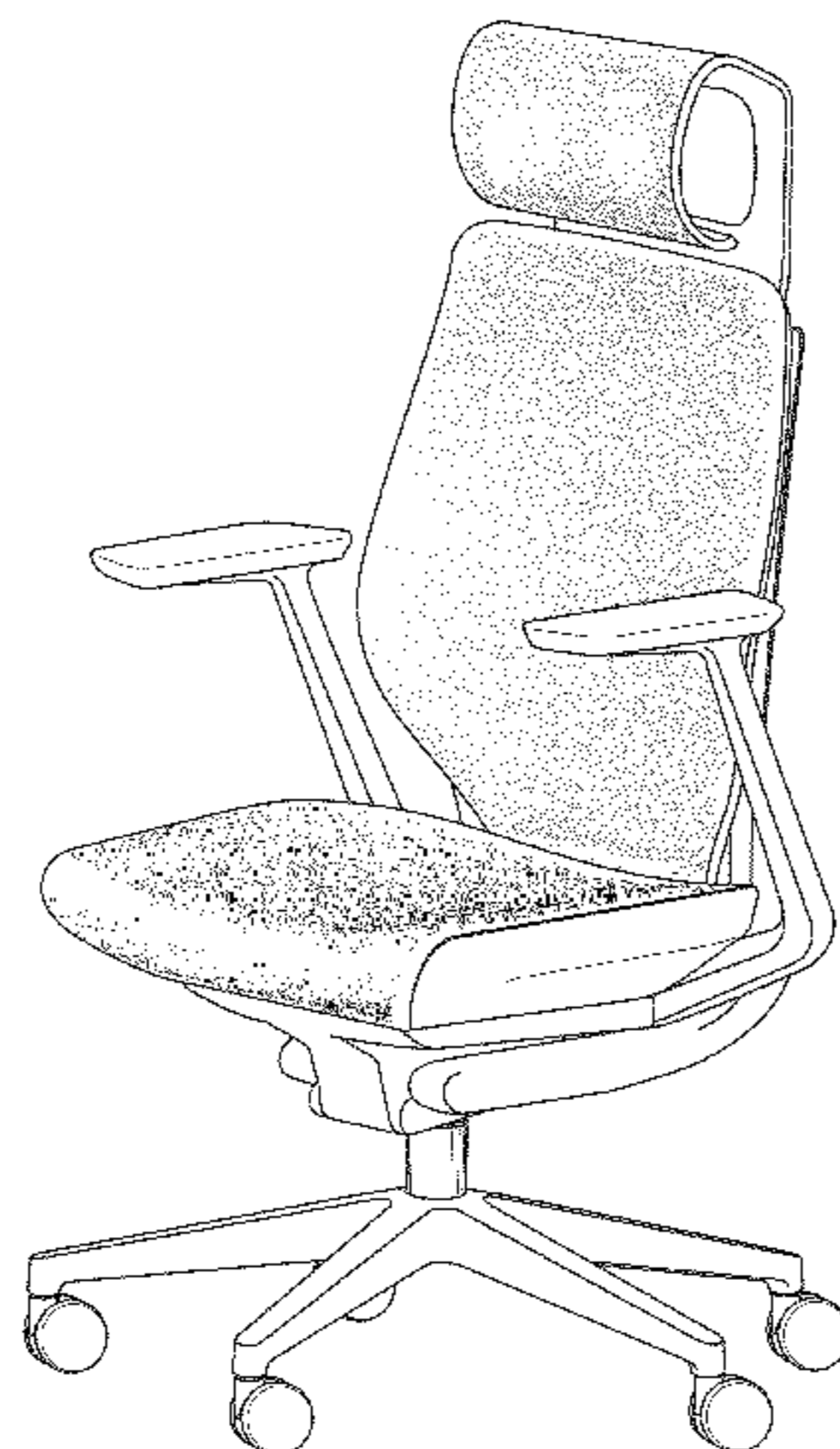
FIG. 4 is a second side view of the chair;

FIG. 5 is a rear view of the chair;

FIG. 6 is a top view of the chair; and,

FIG. 7 is a bottom view of the chair.

1 Claim, 7 Drawing Sheets



US D683,151 S

U.S. PATENT DOCUMENTS							
6,220,661	B1	4/2001	Peterson	D544,722	S	6/2007	Scheper et al.
D446,033	S	8/2001	Koepke et al.	D545,582	S	7/2007	Wu
D451,723	S	12/2001	Grove	7,249,802	B2	7/2007	Schmitz et al.
6,364,415	B1	4/2002	Mori et al.	D548,474	S	8/2007	Fancelli
6,382,719	B1	5/2002	Heidmann et al.	D548,994	S	8/2007	Mao
6,386,634	B1	5/2002	Stumpf et al.	D549,473	S	8/2007	Wagner
6,394,546	B1	5/2002	Knoblock et al.	D549,474	S	8/2007	Wagner
6,394,548	B1	5/2002	Battey et al.	D549,976	S	9/2007	Lin
6,394,549	B1	5/2002	Dekraker et al.	D550,976	S	9/2007	Bellini et al.
6,419,318	B1	7/2002	Albright et al.	7,270,378	B2	9/2007	Wilkerson et al.
6,460,932	B1	10/2002	Koish et al.	7,273,253	B2	9/2007	Deimen et al.
6,471,294	B1	10/2002	Dammermann et al.	D552,857	S	10/2007	Wang
6,499,801	B1	12/2002	Peterson et al.	7,281,764	B2	10/2007	Thole
6,502,904	B1	1/2003	Hansen	D554,877	S	11/2007	Tsai
6,508,509	B2	1/2003	Peterson	D556,481	S	* 12/2007	Harley D6/502
6,572,190	B2	6/2003	Koepke et al.	D557,024	S	12/2007	Chen
6,588,842	B2	7/2003	Stumpf et al.	D557,027	S	12/2007	Hara
6,609,755	B2	8/2003	Koepke et al.	D557,914	S	12/2007	Ong
6,616,228	B2	9/2003	Heidmann	D557,950	S	12/2007	Lu
6,619,746	B2	9/2003	Roslund, Jr. et al.	7,303,232	B1	12/2007	Chen
D482,205	S	11/2003	English et al.	D558,492	S	1/2008	Lu
6,644,749	B2	11/2003	Vanderiet et al.	7,360,835	B2	4/2008	Tubergen et al.
6,669,292	B2	12/2003	Koepke et al.	7,360,839	B1	4/2008	Chen
D486,656	S	2/2004	Su	7,367,622	B2	5/2008	Roslund et al.
6,688,690	B2	2/2004	Watson et al.	D571,569	S	6/2008	Fancelli
D487,359	S	3/2004	Giugiaro	D572,493	S	7/2008	Zhang
6,702,390	B2	3/2004	Stumpf et al.	D573,361	S	7/2008	Kung
6,709,060	B1	3/2004	Su	D576,809	S	9/2008	Christianson et al.
6,722,741	B2	4/2004	Stumpf et al.	D576,813	S	9/2008	Baldanzi et al.
6,726,278	B1	4/2004	Albright et al.	D576,814	S	9/2008	Baldanzi et al.
6,726,286	B2	4/2004	Stumpf et al.	7,419,222	B2	9/2008	Schmitz et al.
6,729,691	B2	5/2004	Koepke et al.	7,425,037	B2	9/2008	Schmitz et al.
6,733,080	B2	5/2004	Stumpf et al.	7,425,039	B2	9/2008	Lin
D490,994	S	6/2004	Schmitz et al.	7,427,105	B2	9/2008	Knoblock et al.
6,758,523	B2	7/2004	Vanderiet et al.	7,434,879	B2	10/2008	Ueda et al.
D493,626	S	8/2004	James	7,494,188	B1	2/2009	Lin
D493,627	S	8/2004	Ma	7,500,718	B2	3/2009	Fookes
6,779,839	B2	8/2004	Andreasson et al.	7,517,009	B2	4/2009	Mauro et al.
D496,812	S	10/2004	Chu	7,527,335	B2	5/2009	Eberlein et al.
D497,264	S	10/2004	Aubriet et al.	7,533,939	B2	5/2009	Fookes et al.
D499,564	S	12/2004	Meda	D593,345	S	6/2009	Schweikarth et al.
6,837,546	B2	1/2005	Vanderiet et al.	7,549,704	B1	6/2009	Chou et al.
6,857,704	B2	2/2005	Stenzel et al.	D597,329	S	* 8/2009	Tanaka et al. D6/366
6,874,852	B2	4/2005	Footitt	7,594,700	B2	9/2009	Stumpf et al.
6,880,215	B2	4/2005	Peterson	D601,830	S	10/2009	Egger
D507,124	S	7/2005	Yang	7,604,298	B2	10/2009	Peterson et al.
D507,423	S	7/2005	Beaulieu et al.	7,625,045	B2	12/2009	Hatcher et al.
6,913,315	B2	7/2005	Ball et al.	D610,822	S	3/2010	Chen
D507,910	S	8/2005	Bock	7,744,159	B2	6/2010	Lee
6,942,300	B2	9/2005	Numa et al.	7,798,573	B2	9/2010	Pennington et al.
6,945,601	B1	9/2005	Wu	7,806,481	B2	10/2010	Eberlein
6,948,775	B2	9/2005	Tsai	7,815,259	B2	10/2010	Fookes et al.
6,955,402	B2	10/2005	Vanderiet et al.	7,828,389	B2	11/2010	Oda
6,966,604	B2	11/2005	Stumpf et al.	7,832,803	B2	11/2010	Cassaday
D512,232	S	12/2005	Wu	7,837,269	B2	11/2010	Bock
6,983,997	B2	1/2006	Wilkerson et al.	7,837,272	B2	11/2010	Masunaga et al.
D514,832	S	2/2006	Tsai	7,841,665	B2	11/2010	Geister et al.
D517,820	S	* 3/2006	Citterio D6/366	7,841,666	B2	11/2010	Schmitz et al.
7,014,269	B2	3/2006	Coffield et al.	7,857,388	B2	12/2010	Bedford et al.
7,025,425	B2	4/2006	Harley	7,874,619	B2	* 1/2011	Harley 297/284.4
D521,755	S	5/2006	Kinoshita et al.	7,887,131	B2	2/2011	Chadwick et al.
D523,252	S	6/2006	Leitao	7,887,135	B2	2/2011	Oda
7,059,681	B2	6/2006	Kubo	D634,558	S	3/2011	Deisig
7,066,537	B2	6/2006	Coffield et al.	7,922,248	B2	4/2011	Aldrich et al.
7,066,546	B2	6/2006	Trego et al.	D638,635	S	5/2011	Sander et al.
7,097,247	B2	8/2006	Battey et al.	7,980,631	B2	7/2011	Diffrient
7,131,700	B2	11/2006	Knoblock et al.	8,016,360	B2	9/2011	Machael et al.
D535,505	S	1/2007	Cai	8,029,066	B2	10/2011	Su
7,159,947	B1	1/2007	Lee	8,038,212	B2	10/2011	Vickers et al.
D541,062	S	4/2007	Su	D648,947	S	11/2011	Ong
7,201,449	B2	4/2007	Tsai	8,061,778	B2	11/2011	Machael et al.
D543,039	S	* 5/2007	Hara D6/366	D650,617	S	12/2011	Chen
D543,040	S	5/2007	Hara	D653,467	S	2/2012	Ballendat
D543,042	S	5/2007	Hara	D654,709	S	2/2012	Fujita
7,213,880	B2	5/2007	Schmitz et al.	D654,711	S	2/2012	Fujita
7,213,886	B2	5/2007	Schmitz et al.	D655,523	S	* 3/2012	Neil D6/366
7,216,936	B2	5/2007	Peterson	D655,524	S	3/2012	Kim
D543,717	S	6/2007	Chen	D657,166	S	4/2012	Behar et al.
				D657,594	S	4/2012	Knight et al.

US D683,151 S

Page 3

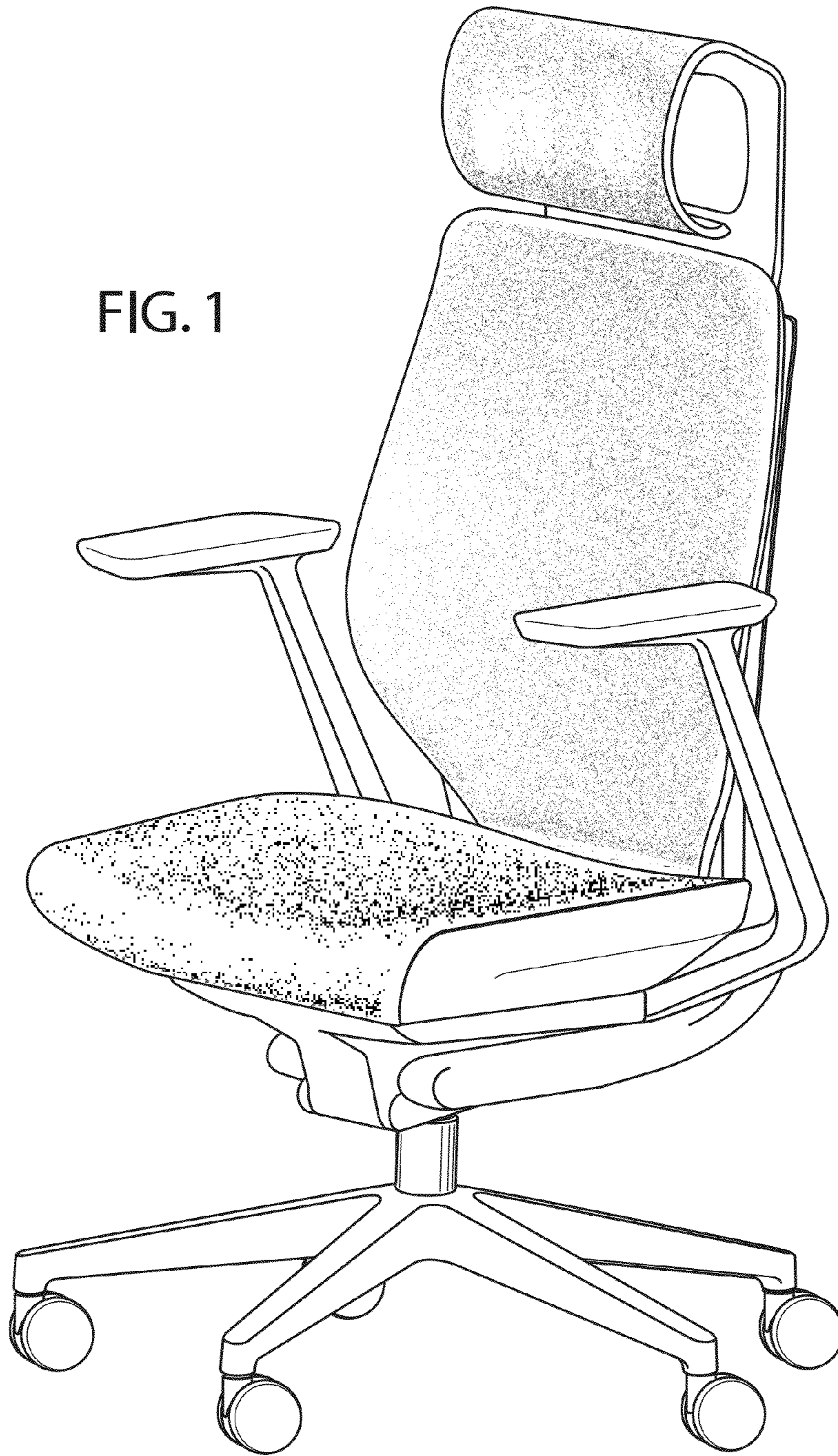
D661,117 S *	6/2012	Tanaka et al.	D6/366	2009/0021069 A1	1/2009	Hentschel et al.
D661,523 S *	6/2012	Wu	D6/501	2010/0007190 A1	1/2010	Johnson et al.
D662,330 S *	6/2012	Tanaka et al.	D6/366	2010/0237679 A1	9/2010	Tsukiji et al.
D665,590 S *	8/2012	Wagner	D6/366	2010/0244521 A1	9/2010	Ueda
D665,591 S *	8/2012	Tanaka et al.	D6/366	2010/0276978 A1	11/2010	Furuta et al.
2002/0003368 A1	1/2002	Vanderiet et al.		2011/0012395 A1	1/2011	Roslund et al.
2002/0074843 A1	6/2002	Malschet et al.		2011/0198907 A1	8/2011	Masunaga et al.
2003/0030317 A1	2/2003	Chen		2011/0248543 A1	10/2011	Hitchcock et al.
2003/0047980 A1	3/2003	Vassallo				
2004/0000805 A1	1/2004	Vanderiet et al.				
2004/0155503 A1	8/2004	Stumpf et al.				
2005/0052061 A1	3/2005	Deimen et al.				
2005/0062323 A1	3/2005	Dicks				
2008/0122284 A1	5/2008	Yang				

OTHER PUBLICATIONS

Werndl #1 Brochure.
Steelcase Please Chair Brochure.

* cited by examiner

FIG. 1



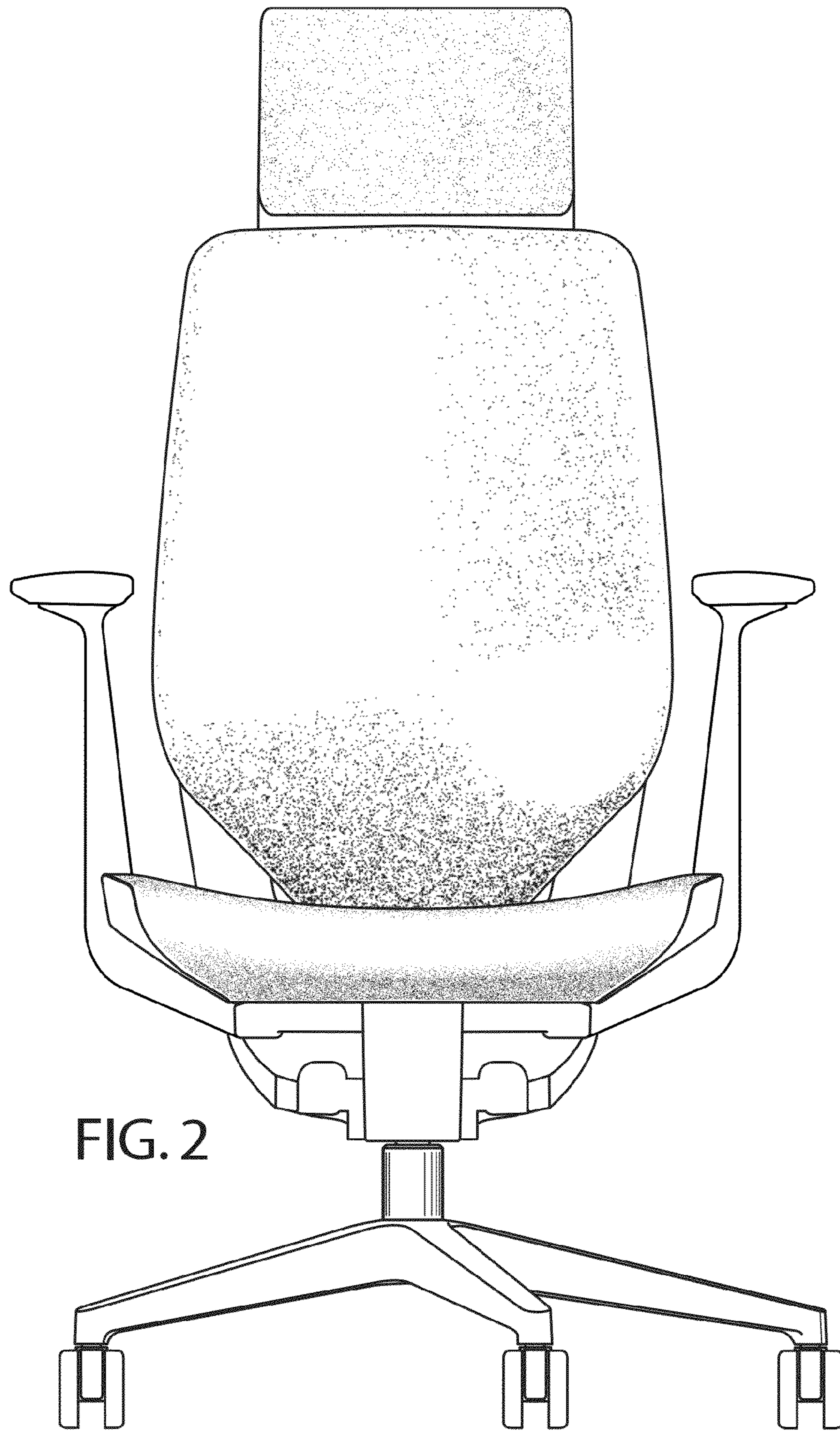
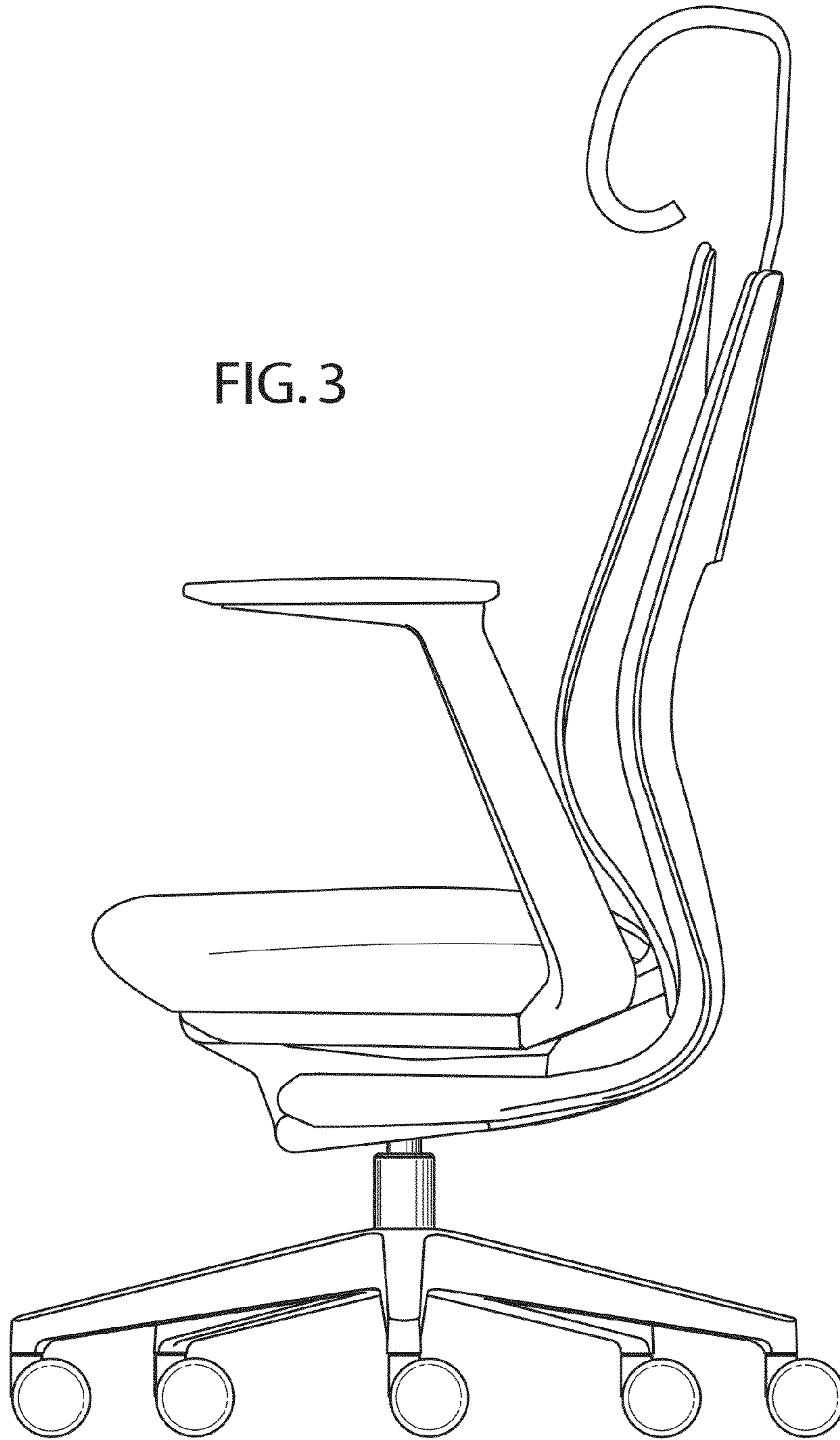


FIG. 3



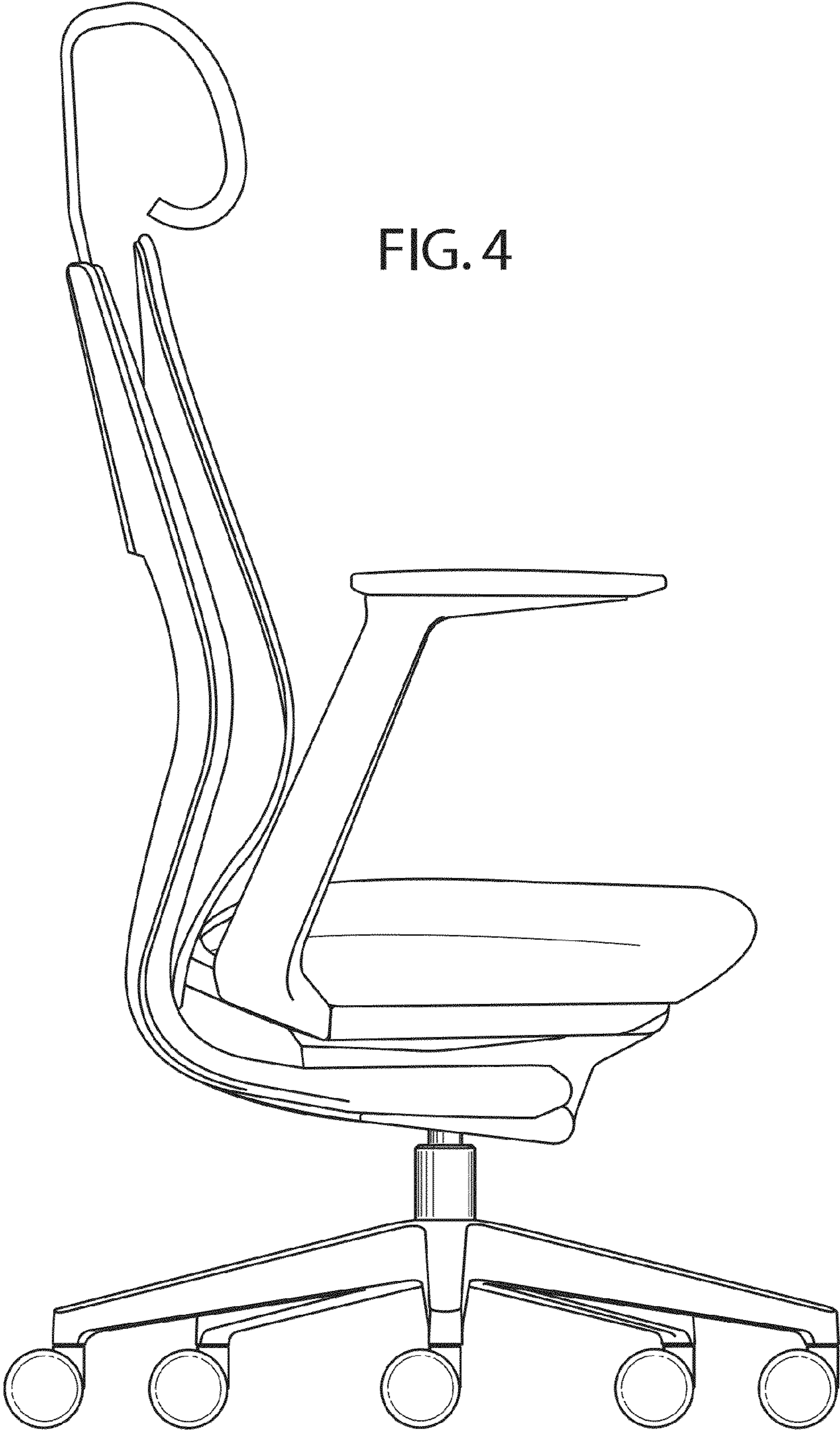


FIG. 4

FIG. 5

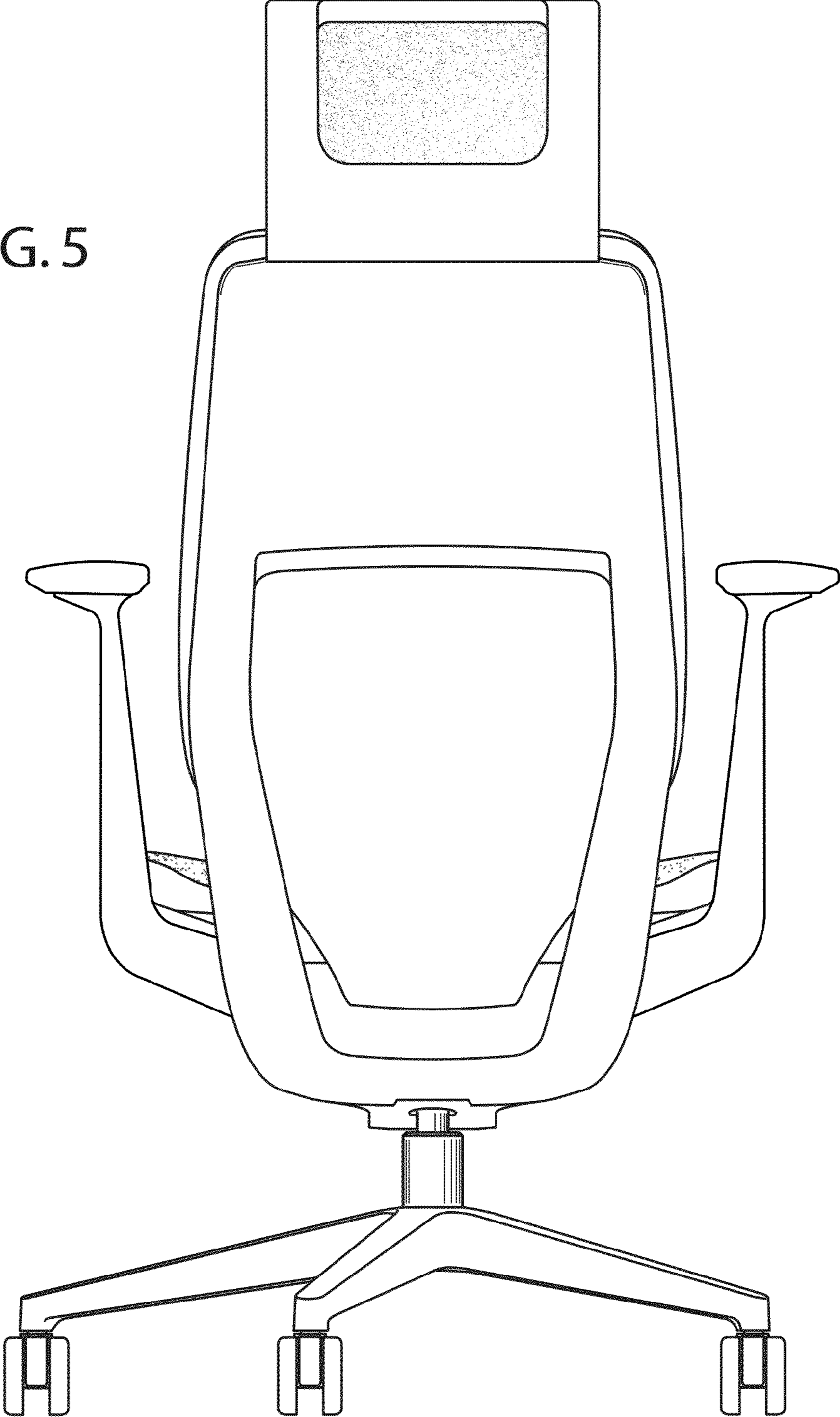


FIG. 6

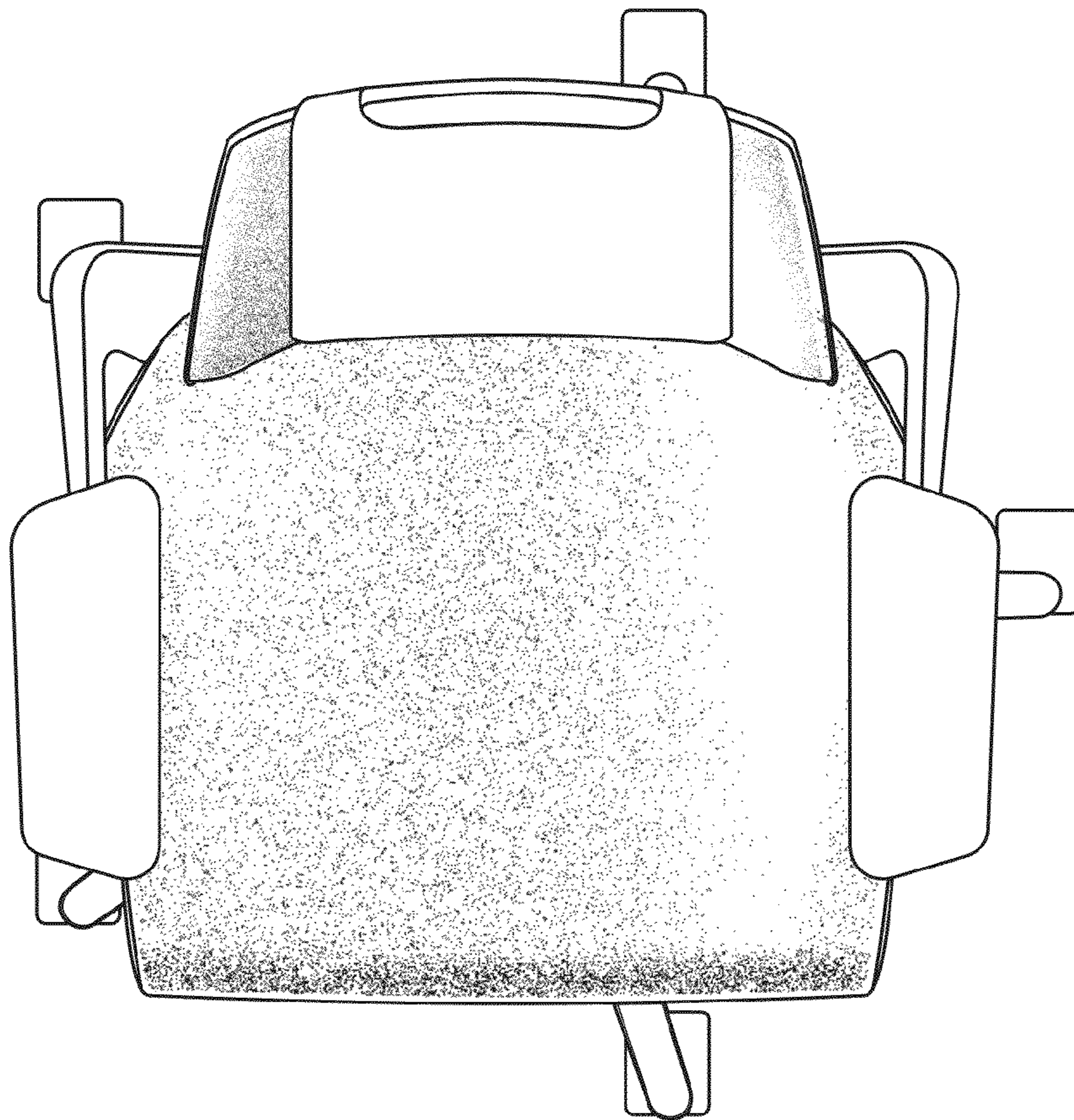


FIG. 7

