



US00D683150S

(12) **United States Design Patent**  
**Smith et al.**

(10) **Patent No.:** **US D683,150 S**  
(45) **Date of Patent:** **\*\* May 28, 2013**

(54) **CHAIR**

(71) Applicants: **Bruce M. Smith**, East Grand Rapids, MI (US); **Glen Oliver Löw**, Hamburg (DE); **James N. Ludwig**, East Grand Rapids, MI (US); **Robert J. Battey**, Middleville, MI (US); **Gordon Jay Peterson**, Rockford, MI (US); **Russell Thomas Holdredge**, Alto, MI (US); **Richard N. Roslund, Jr.**, Jenison, MI (US); **Nathan Robert Brock**, Alto, MI (US)

(72) Inventors: **Bruce M. Smith**, East Grand Rapids, MI (US); **Glen Oliver Löw**, Hamburg (DE); **James N. Ludwig**, East Grand Rapids, MI (US); **Robert J. Battey**, Middleville, MI (US); **Gordon Jay Peterson**, Rockford, MI (US); **Russell Thomas Holdredge**, Alto, MI (US); **Richard N. Roslund, Jr.**, Jenison, MI (US); **Nathan Robert Brock**, Alto, MI (US)

(73) Assignee: **Steelcase Inc.**, Grand Rapids, MI (US)

(\*\*) Term: **14 Years**

(21) Appl. No.: **29/432,795**

(22) Filed: **Sep. 20, 2012**

(51) **LOC (9) Cl.** ..... **06-01**

(52) **U.S. Cl.**  
USPC ..... **D6/366**

(58) **Field of Classification Search** ..... D6/334-336,  
D6/364, 365, 366, 367, 374, 379, 380, 498,  
D6/500-502; 297/284.4, 411.27, 452.13,  
297/452.21, 452.24, 452.26, 452.29, 452.3,  
297/452.32, 452.48, 452.56

See application file for complete search history.

(56) **References Cited**

U.S. PATENT DOCUMENTS

4,711,491 A 12/1987 Ginat  
5,439,267 A 8/1995 Peterson et al.

5,599,067 A 2/1997 Schuelke et al.  
5,725,276 A 3/1998 Ginat  
5,772,282 A 6/1998 Stumpf et al.  
5,871,258 A 2/1999 Battey et al.  
5,934,758 A 8/1999 Ritch et al.  
5,975,634 A 11/1999 Knoblock et al.  
6,035,901 A 3/2000 Stumpf et al.  
6,039,397 A 3/2000 Ginat  
D423,261 S 4/2000 Ritch et al.  
6,053,578 A 4/2000 van Hekken et al.  
6,059,366 A 5/2000 Hu  
6,059,368 A 5/2000 Stumpf et al.  
6,076,892 A 6/2000 van Hekken et al.  
6,079,785 A 6/2000 Peterson et al.  
6,086,156 A 7/2000 Breen et al.  
6,125,521 A 10/2000 Stumpf et al.  
6,178,595 B1 1/2001 Marinoni  
6,220,661 B1 4/2001 Peterson  
D446,033 S 8/2001 Koepke et al.  
D451,723 S 12/2001 Grove

(Continued)

FOREIGN PATENT DOCUMENTS

EP 2233043 9/2010

OTHER PUBLICATIONS

Haworth X99 Chair Brochure.  
Werndl #1 Brochure.

(Continued)

*Primary Examiner* — Mimosa De

(74) *Attorney, Agent, or Firm* — Price Heneveld LLP

(57) **CLAIM**

We claim the ornamental design for the chair, as shown and described.

**DESCRIPTION**

FIG. 1 is a perspective view of a chair embodying the present invention;

FIG. 2 is a front view of the chair;

FIG. 3 is a first side view of the chair;

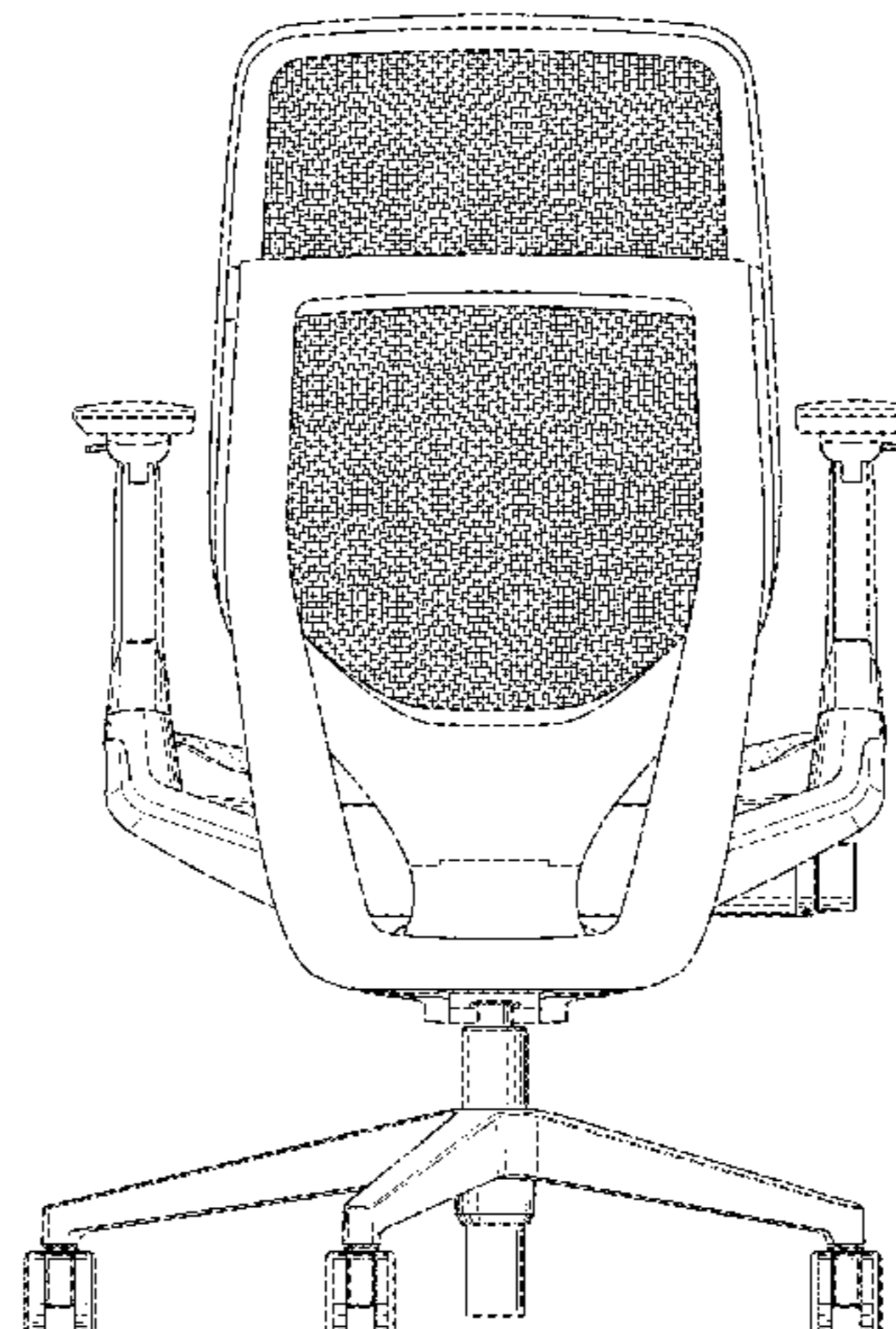
FIG. 4 is a second side view of the chair;

FIG. 5 is a rear view of the chair;

FIG. 6 is a top view of the chair; and,

FIG. 7 is a bottom view of the chair.

**1 Claim, 7 Drawing Sheets**



US D683,150 S

U.S. PATENT DOCUMENTS

6,364,415 B1 4/2002 Mori et al.  
 6,382,719 B1 5/2002 Heidmann et al.  
 6,386,634 B1 5/2002 Stumpf et al.  
 6,394,546 B1 5/2002 Knoblock et al.  
 6,394,548 B1 5/2002 Battey et al.  
 6,394,549 B1 5/2002 DeKraker et al.  
 6,419,318 B1 7/2002 Albright et al.  
 6,460,932 B1 10/2002 Kopish et al.  
 6,471,294 B1 10/2002 Dammermann et al.  
 6,499,801 B1 12/2002 Peterson et al.  
 6,502,904 B1 1/2003 Hansen  
 6,508,509 B2 1/2003 Peterson  
 6,572,190 B2 6/2003 Koepke et al.  
 6,588,842 B2 7/2003 Stumpf et al.  
 6,609,755 B2 8/2003 Koepke et al.  
 6,616,228 B2 9/2003 Heidmann  
 6,619,746 B2 9/2003 Roslund, Jr. et al.  
 6,644,749 B2 11/2003 VanDeRiet et al.  
 6,669,292 B2 12/2003 Koepke et al.  
 6,688,690 B2 2/2004 Watson et al.  
 D487,359 S 3/2004 Giugiaro  
 6,702,390 B2 3/2004 Stumpf et al.  
 6,709,060 B1 3/2004 Su  
 6,722,741 B2 4/2004 Stumpf et al.  
 6,726,278 B1 4/2004 Albright et al.  
 6,726,286 B2 4/2004 Stumpf et al.  
 6,729,691 B2 5/2004 Koepke et al.  
 6,733,080 B2 5/2004 Stumpf et al.  
 D490,994 S 6/2004 Schmitz et al.  
 6,758,523 B2 7/2004 VanDeRiet et al.  
 D493,626 S 8/2004 James  
 D493,627 S 8/2004 Ma  
 D496,812 S 10/2004 Chu  
 6,837,546 B2 1/2005 VanDeRiet et al.  
 6,857,704 B2 2/2005 Stenzel et al.  
 6,874,852 B2 4/2005 Footitt  
 6,880,215 B2 4/2005 Peterson  
 D507,423 S 7/2005 Beaulieu et al.  
 6,913,315 B2 7/2005 Ball et al.  
 6,942,300 B2 9/2005 Numa et al.  
 6,948,775 B2 9/2005 Tsai  
 6,955,402 B2 10/2005 VanDeRiet et al.  
 6,966,604 B2 11/2005 Stumpf et al.  
 6,983,997 B2 1/2006 Wilkerson et al.  
 D514,832 S 2/2006 Tsai  
 7,014,269 B2 3/2006 Coffield et al.  
 7,025,424 B2 4/2006 Harley  
 D521,755 S 5/2006 Kinoshita et al.  
 7,066,537 B2 6/2006 Coffield et al.  
 7,066,546 B2 6/2006 Trego et al.  
 D528,811 S \* 9/2006 Giugiaro ..... D6/366  
 7,131,700 B2 11/2006 Knoblock et al.  
 D535,505 S 1/2007 Cai  
 7,159,947 B1 1/2007 Lee  
 7,201,449 B2 4/2007 Tsai  
 7,213,880 B2 5/2007 Schmitz et al.  
 7,213,886 B2 5/2007 Schmitz et al.  
 7,216,936 B2 5/2007 Peterson  
 D544,722 S 6/2007 Scheper et al.  
 7,249,802 B2 7/2007 Schmitz et al.  
 7,270,378 B2 9/2007 Wilkerson et al.  
 7,273,253 B2 9/2007 Deimen et al.  
 7,281,764 B2 10/2007 Thole  
 D556,481 S \* 12/2007 Harley ..... D6/502  
 D557,027 S 12/2007 Hara  
 D557,950 S 12/2007 Lu

D558,995 S \* 1/2008 Igarashi ..... D6/366  
 D559,572 S \* 1/2008 Igarashi ..... D6/366  
 7,360,839 B1 4/2008 Chen  
 7,367,622 B2 5/2008 Roslund et al.  
 D576,809 S 9/2008 Christianson et al.  
 7,419,222 B2 9/2008 Schmitz et al.  
 7,425,037 B2 9/2008 Schmitz et al.  
 7,425,039 B2 9/2008 Lin  
 7,427,105 B2 9/2008 Knoblock et al.  
 7,434,879 B2 10/2008 Ueda et al.  
 7,500,718 B2 3/2009 Fookes  
 7,527,335 B2 5/2009 Eberlein et al.  
 7,533,939 B2 5/2009 Fookes et al.  
 D593,345 S 6/2009 Schweikarth et al.  
 7,549,704 B1 6/2009 Chou et al.  
 D600,462 S \* 9/2009 Ooki et al. .... D6/366  
 7,594,700 B2 9/2009 Stumpf et al.  
 7,604,298 B2 10/2009 Peterson et al.  
 7,625,045 B2 12/2009 Hatcher et al.  
 D609,021 S \* 2/2010 Ooki et al. .... D6/366  
 7,744,159 B2 6/2010 Lee  
 7,798,573 B2 9/2010 Pennington et al.  
 7,806,481 B2 10/2010 Eberlein  
 7,815,259 B2 10/2010 Fookes et al.  
 7,828,389 B2 11/2010 Oda  
 7,832,803 B2 11/2010 Cassaday  
 7,837,269 B2 11/2010 Bock  
 7,837,272 B2 11/2010 Masunaga et al.  
 7,841,665 B2 11/2010 Geister et al.  
 7,841,666 B2 11/2010 Schmitz et al.  
 7,857,388 B2 12/2010 Bedford et al.  
 7,874,619 B2 \* 1/2011 Harley ..... 297/284.4  
 7,887,131 B2 2/2011 Chadwick et al.  
 7,887,135 B2 2/2011 Oda  
 7,922,248 B2 4/2011 Aldrich et al.  
 8,016,360 B2 9/2011 Machael et al.  
 8,029,066 B2 10/2011 Su  
 8,061,778 B2 11/2011 Machael et al.  
 D654,709 S 2/2012 Fujita  
 D654,711 S 2/2012 Fujita  
 D657,166 S 4/2012 Behar et al.  
 D665,589 S \* 8/2012 Wagner ..... D6/366  
 D666,032 S \* 8/2012 Su ..... D6/502  
 D671,330 S \* 11/2012 Izawa ..... D6/366  
 D671,331 S \* 11/2012 Izawa ..... D6/366  
 D671,332 S \* 11/2012 Izawa ..... D6/366  
 D671,759 S \* 12/2012 Hurford ..... D6/366  
 2002/0003368 A1 1/2002 VanDeRiet et al.  
 2003/0030317 A1 2/2003 Chen  
 2003/0047980 A1 3/2003 Vassallo  
 2004/0000805 A1 1/2004 VanDeRiet et al.  
 2004/0155503 A1 8/2004 Stumpf et al.  
 2005/0052061 A1 3/2005 Deimen et al.  
 2005/0062323 A1 3/2005 Dicks  
 2008/0122284 A1 5/2008 Yang  
 2010/0007190 A1 1/2010 Johnson et al.  
 2010/0237679 A1 9/2010 Tsukiji et al.  
 2010/0244521 A1 9/2010 Ueda  
 2010/0276978 A1 11/2010 Furuta et al.  
 2011/0012395 A1 1/2011 Roslund et al.  
 2011/0198907 A1 8/2011 Masunaga et al.  
 2011/0248543 A1 10/2011 Hitchcock et al.

OTHER PUBLICATIONS

Steelcase Please Chair Brochure.

\* cited by examiner

FIG. 1



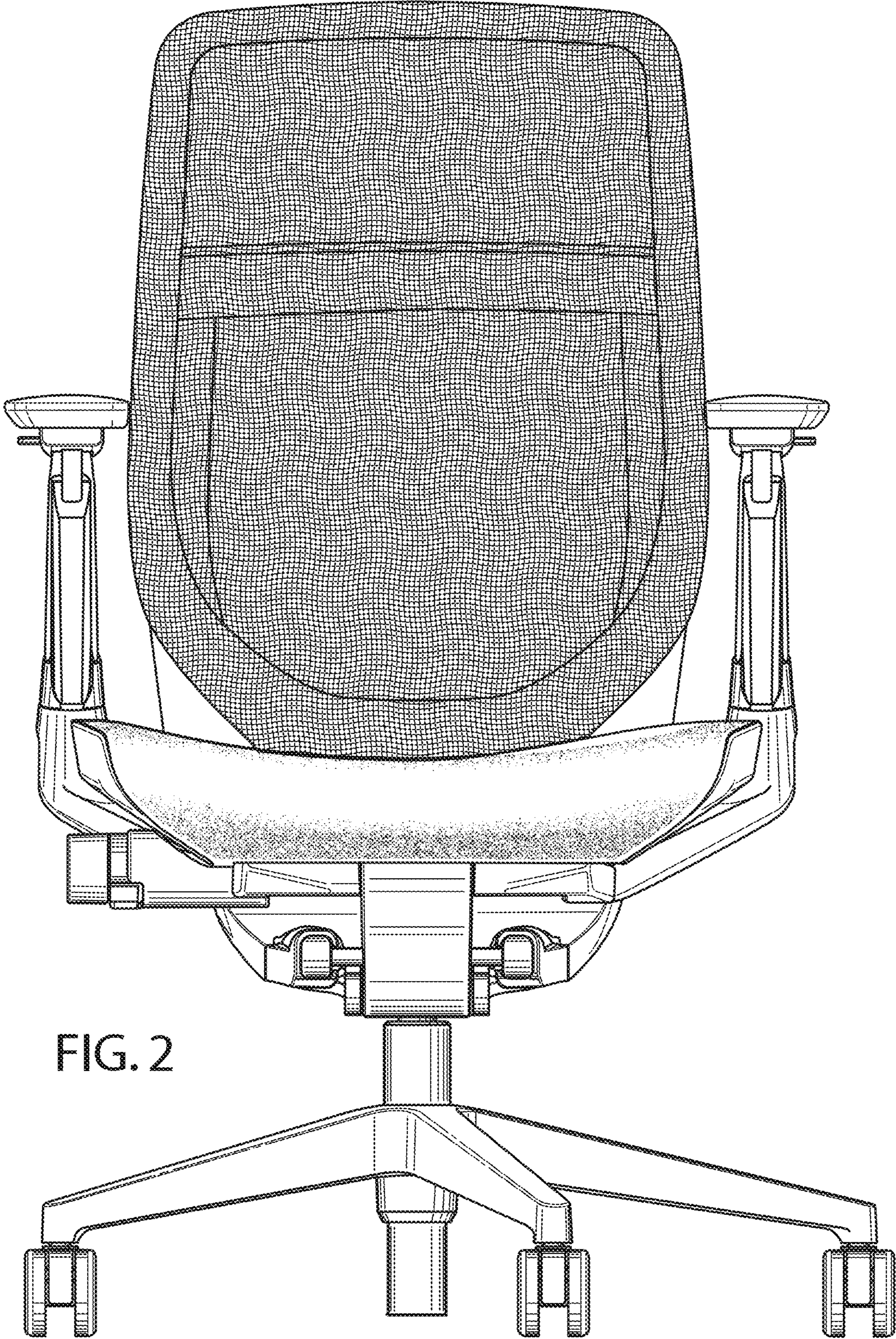
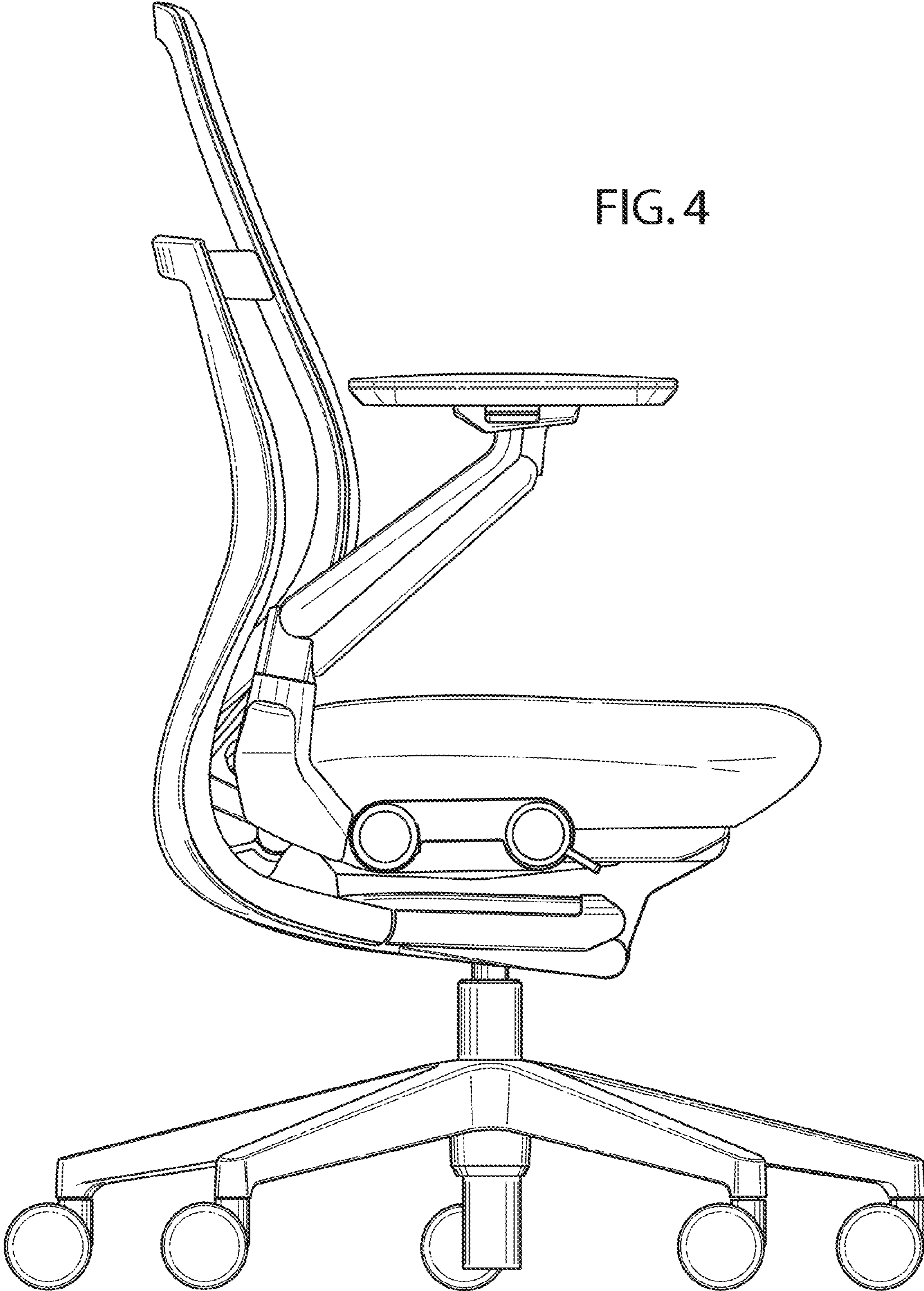


FIG. 2

FIG. 3



FIG. 4



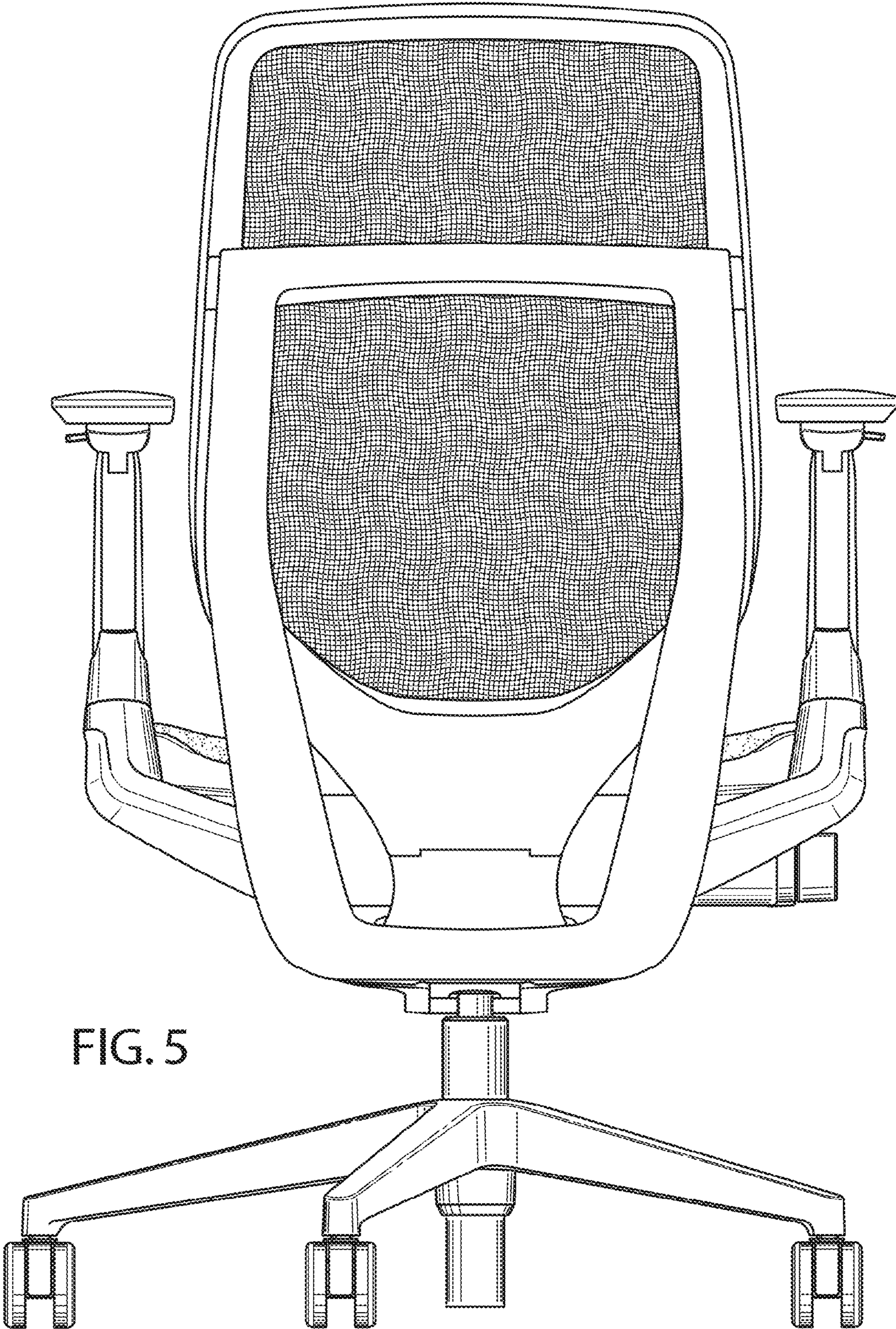


FIG. 5

FIG. 6

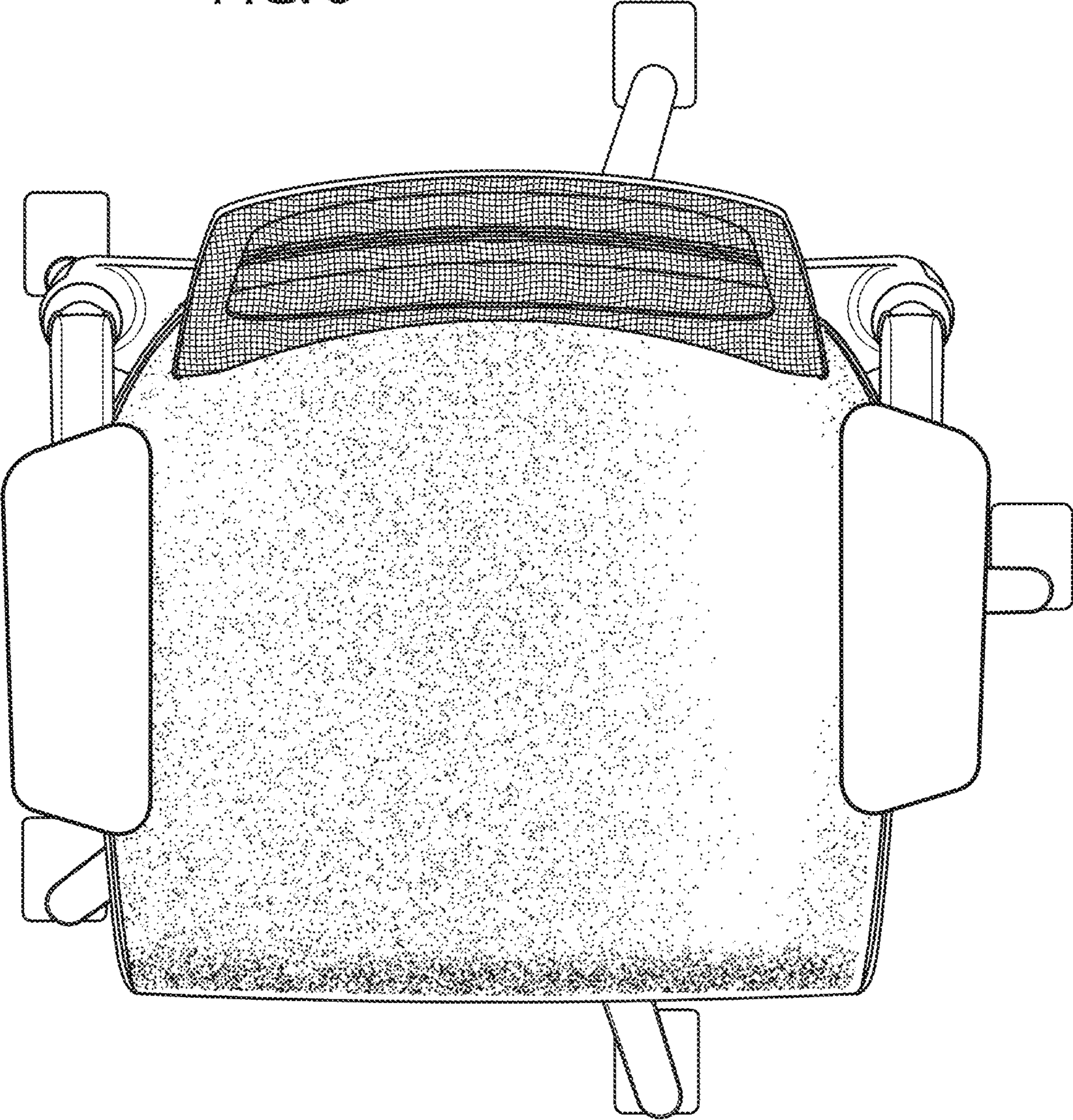




FIG. 7

