



US00D683149S

(12) **United States Design Patent**  
**Lu**

(10) **Patent No.:** **US D683,149 S**  
(45) **Date of Patent:** **\*\* May 28, 2013**

(54) **CHAIR**

(56) **References Cited**

(76) Inventor: **Shunjie Lu**, Dongguan (CN)

U.S. PATENT DOCUMENTS

(\*\*) Term: **14 Years**

D261,951 S *	11/1981	Ekelund .....	D6/365
D274,769 S *	7/1984	Klier .....	D6/366
D285,629 S *	9/1986	Franck et al. ....	D6/366
D289,236 S *	4/1987	Brauning .....	D6/366
D289,707 S *	5/1987	Favaretto .....	D6/366
D292,047 S *	9/1987	Bitsch .....	D6/365
D295,925 S *	5/1988	Uredat-Neuhoff .....	D6/366
D300,696 S *	4/1989	Garnich .....	D6/365
D315,257 S *	3/1991	Hensel et al. ....	D6/366
D328,980 S *	9/1992	Buchacz .....	D6/366
D368,608 S *	4/1996	Stirling et al. ....	D6/500
D471,371 S *	3/2003	Chiu .....	D6/366
8,308,241 B2 *	11/2012	Jenkins .....	297/284.4

(21) Appl. No.: **29/424,942**

(22) Filed: **Jun. 18, 2012**

(30) **Foreign Application Priority Data**

Jan. 17, 2012 (CN) ..... 2012 3 0013305

(51) **LOC (9) Cl.** ..... **06-01**

(52) **U.S. Cl.**  
USPC ..... **D6/366**

(58) **Field of Classification Search**  
USPC ..... D6/334-336, 344-353, 360-381,  
D6/388, 403, 491-502, 692, 708, 716,  
716.2-716.4; 297/16.1, 22, 31, 35, 217.1,  
297/228.12, 239, 256.16, 271.6, 284.4-284.5,  
297/291, 297, 302.4, 411.2, 411.27-411.29,  
297/411.43, 423.1, 423.12, 440.11, 440.15,  
297/440.24, 448.1, 451.4, 452.13, 452.19,  
297/452.21, 452.27, 452.29, 452.3, 452.41,  
297/452.56, 452.64

See application file for complete search history.

\* cited by examiner

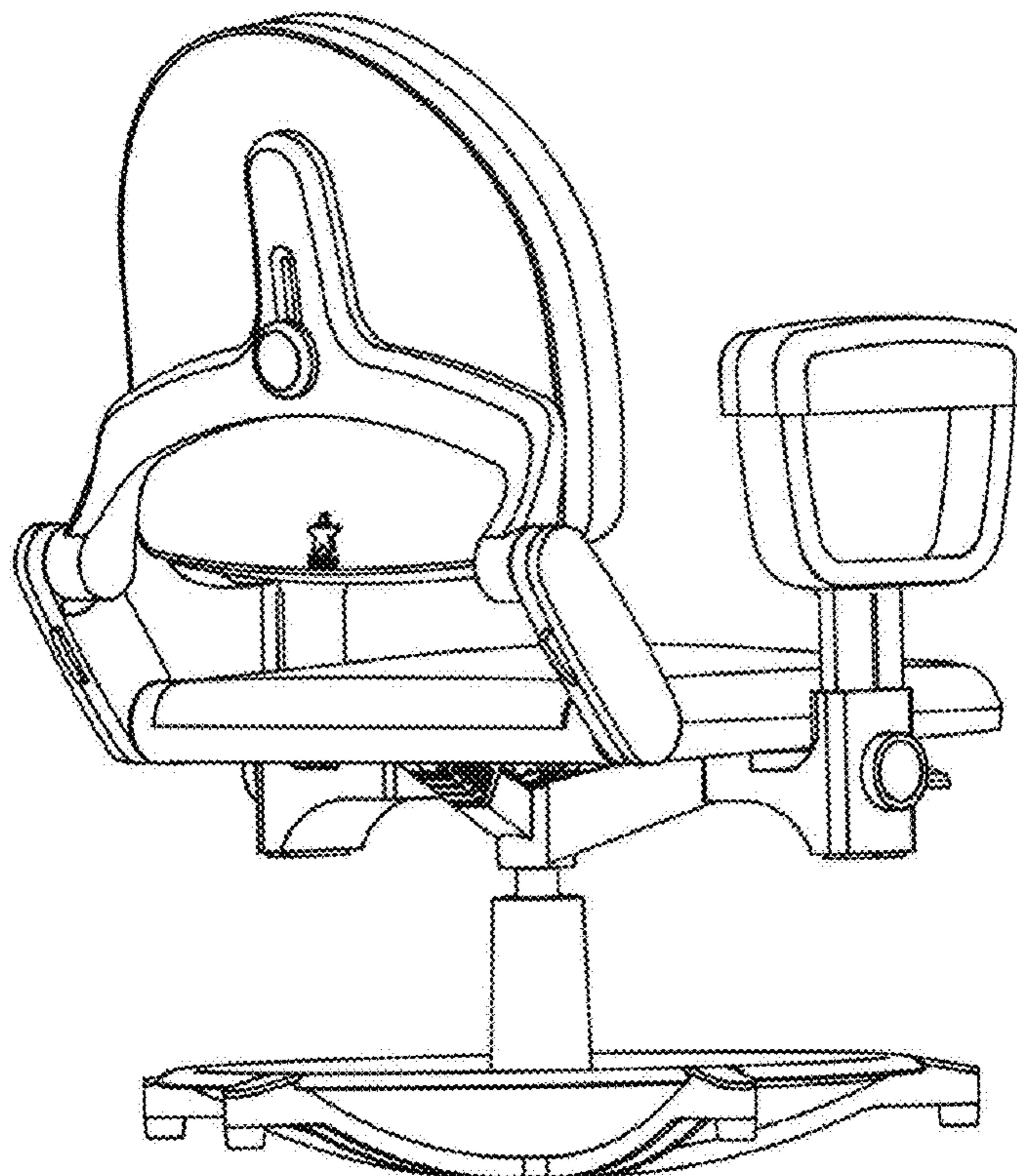
*Primary Examiner* — Ricky Pham

(57) **CLAIM**  
The ornamental design for a chair, as shown and described.

**DESCRIPTION**

FIG. 1 is a back plan view of the chair in showing my new design;  
FIG. 2 is a front plan view thereof;  
FIG. 3 is a left plan view thereof;  
FIG. 4 is a right plan view thereof;  
FIG. 5 is an upward plan view thereof;  
FIG. 6 is a downward plan view thereof; and,  
FIG. 7 is a perspective view thereof.

**1 Claim, 4 Drawing Sheets**



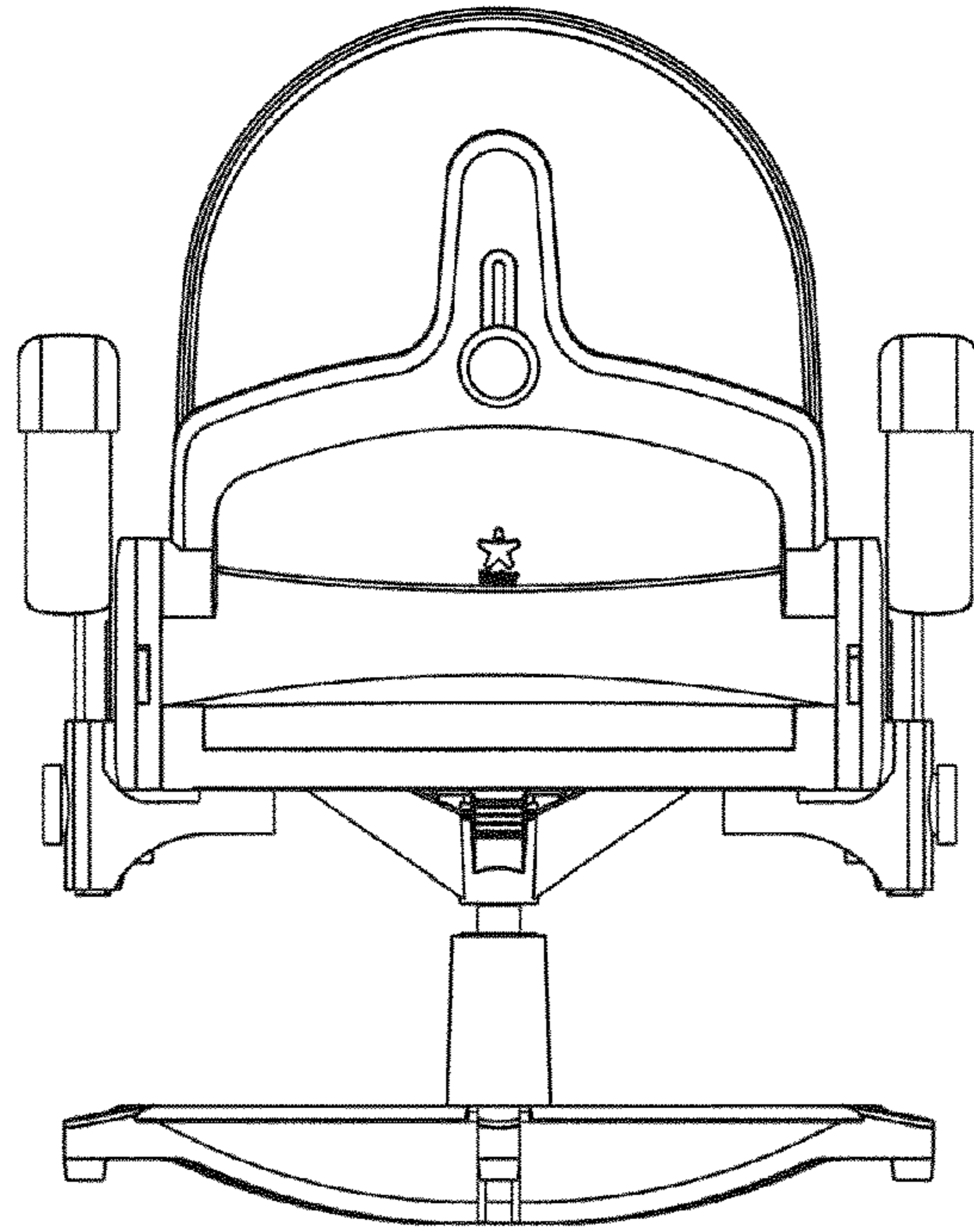


Fig. 1

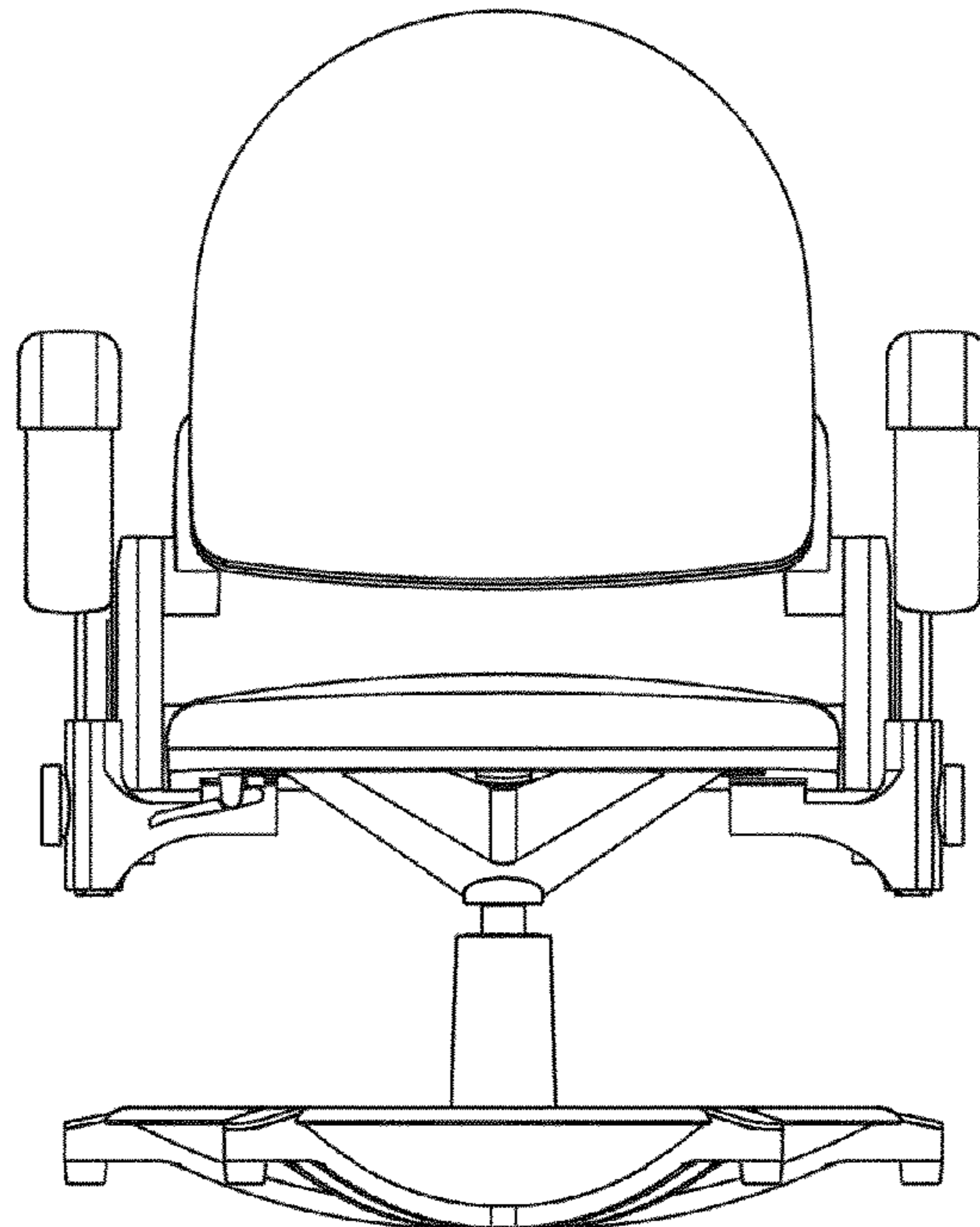


Fig. 2

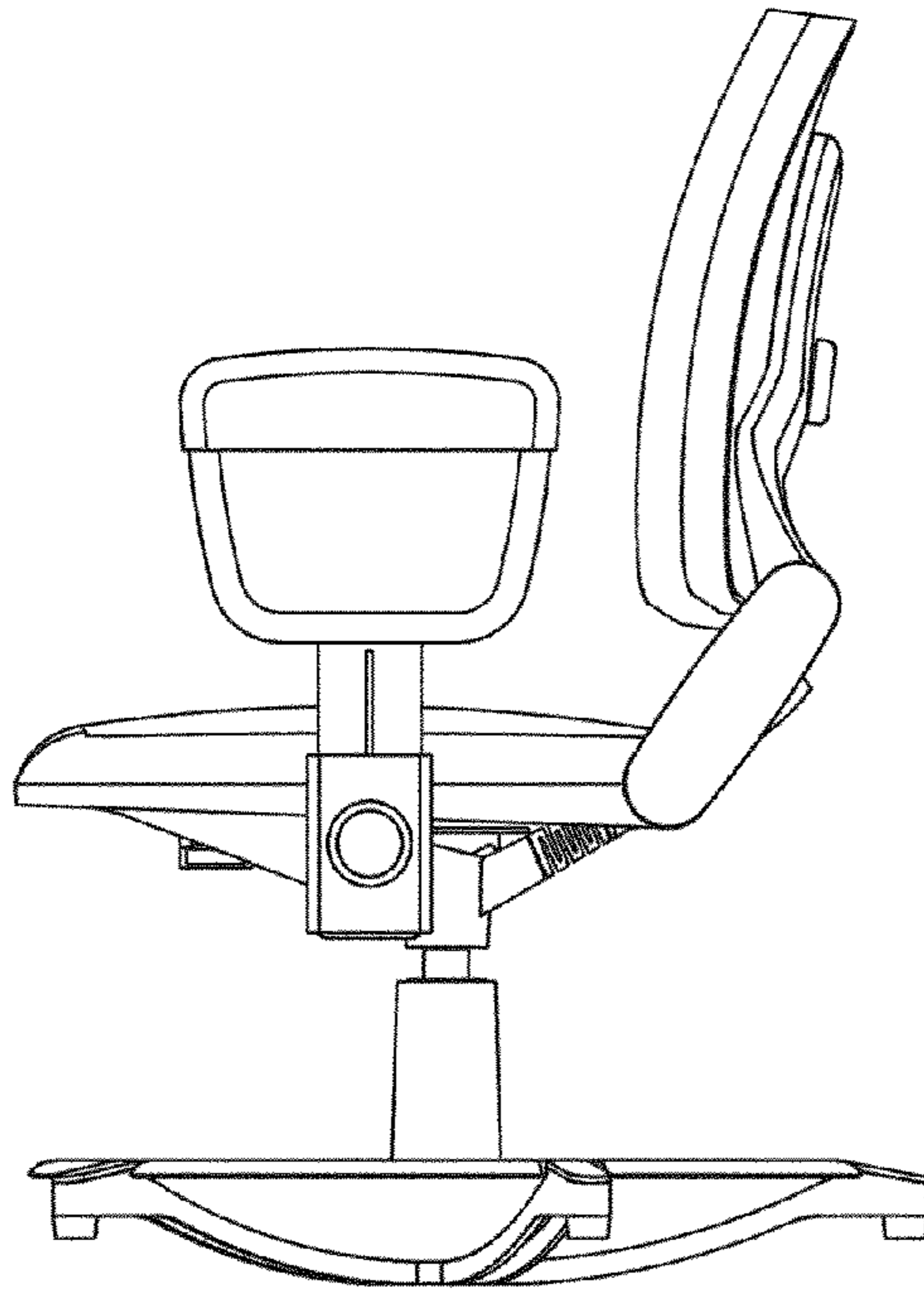


Fig. 3

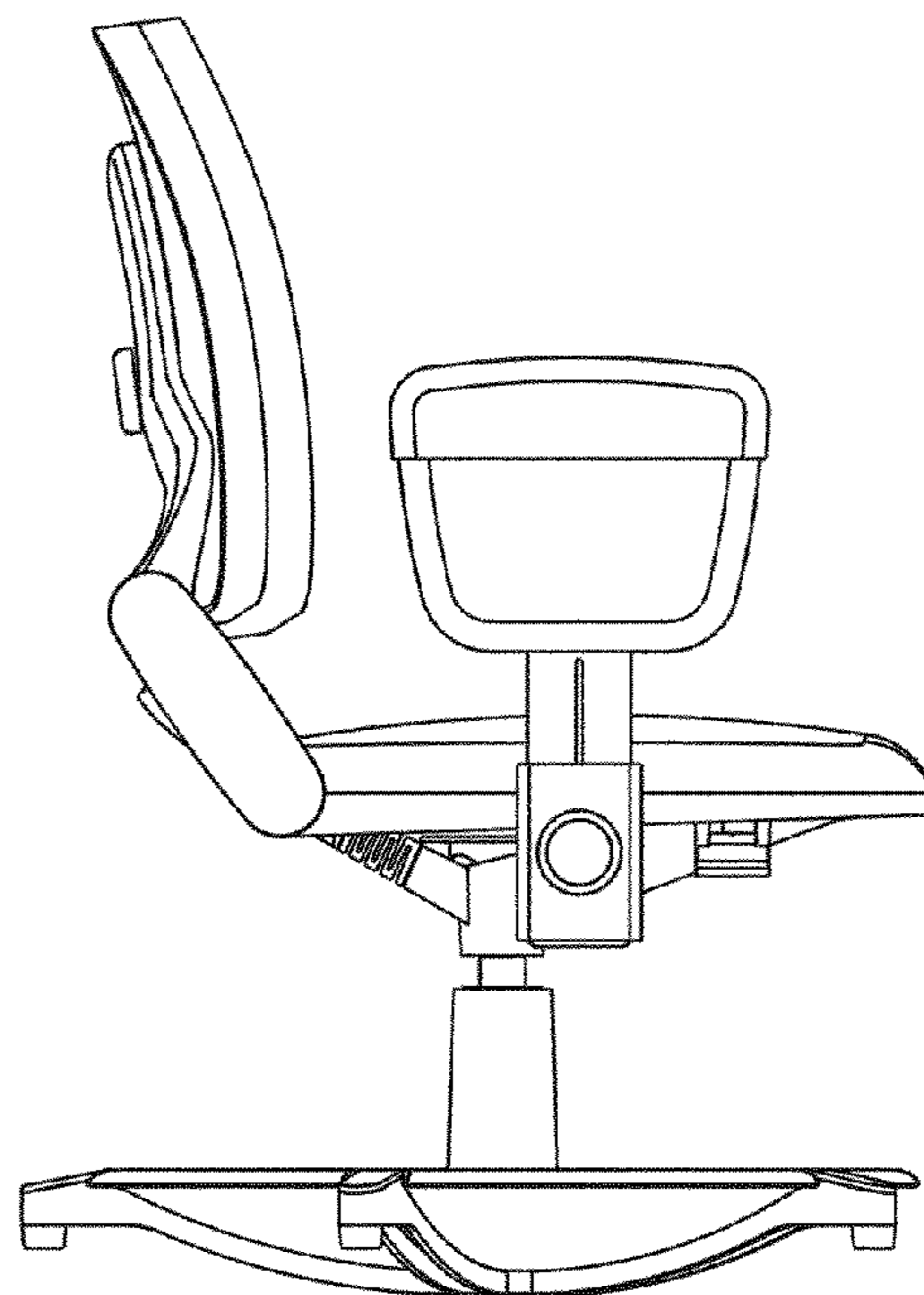


Fig. 4

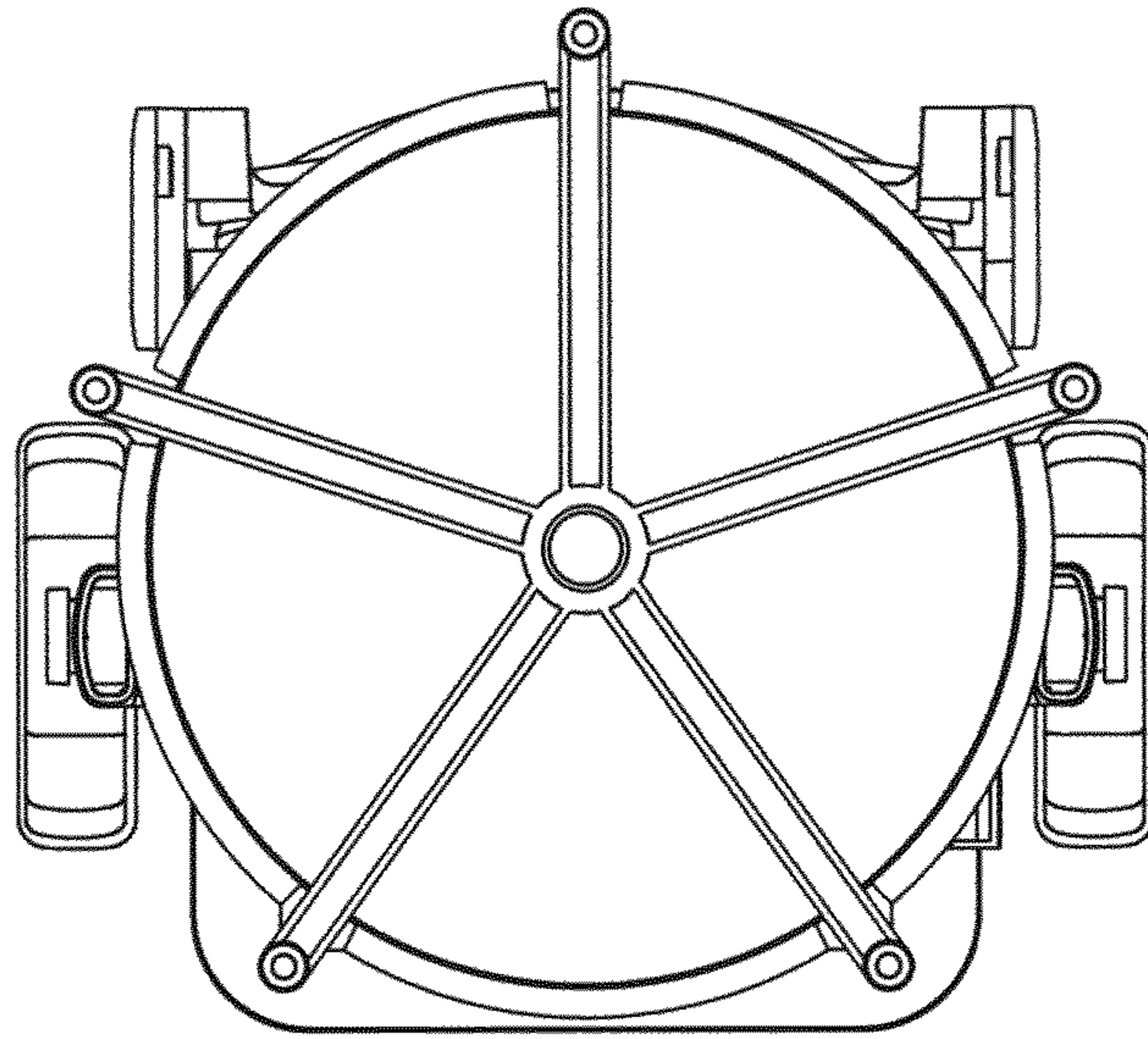


Fig. 5

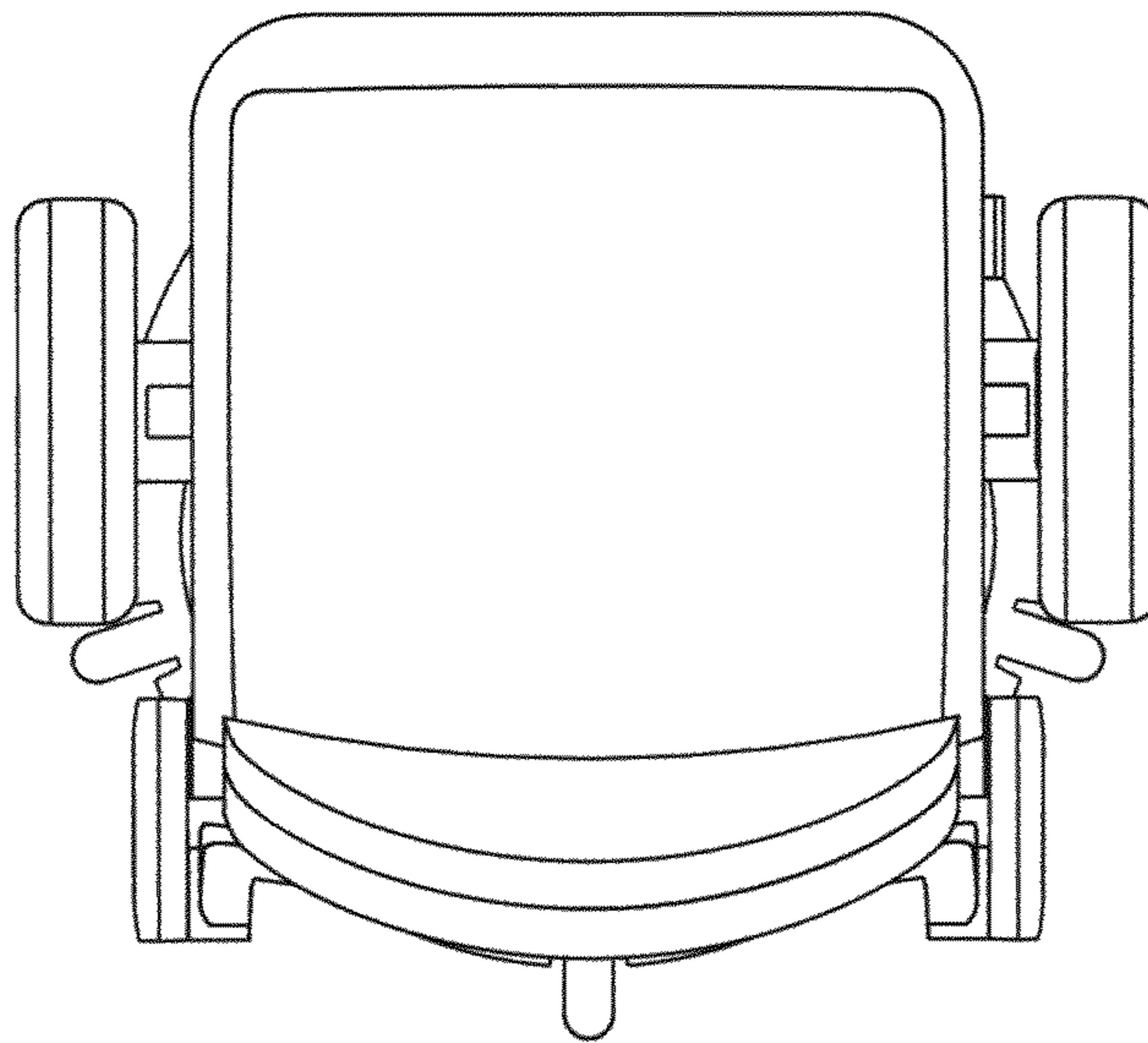


Fig. 6

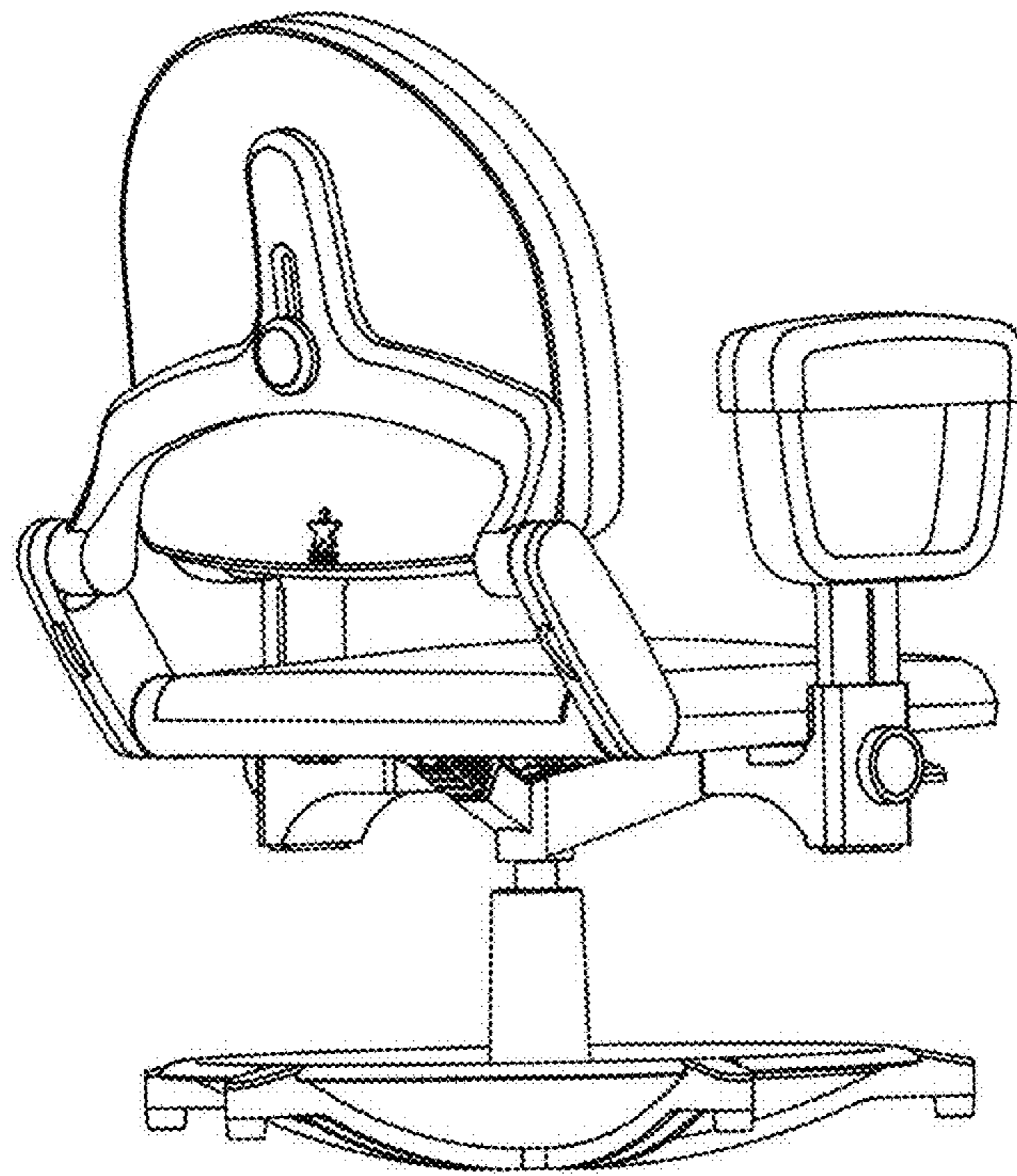


Fig. 7