



US00D683148S

(12) **United States Design Patent**
Selig

(10) **Patent No.:** **US D683,148 S**

(45) **Date of Patent:** **** May 28, 2013**

(54) **PROPANE TANK LIPS BENCH**

(76) Inventor: **Colin Selig**, Walnut Creek, CA (US)

(**) Term: **14 Years**

(21) Appl. No.: **29/430,456**

(22) Filed: **Aug. 25, 2012**

(51) **LOC (9) Cl.** **06-01**

(52) **U.S. Cl.**
USPC **D6/358**

(58) **Field of Classification Search**

USPC D6/334–336, 351, 358, 371, 372,
D6/373, 374, 375, 376, 379, 380, 381, 716,
D6/716.1, 716.2, 716.3, 716.4; D1/106; D11/54;
D24/195; 297/181, 232, 448.1, 448.2, 451.3,
297/452.18

See application file for complete search history.

(56) **References Cited**

U.S. PATENT DOCUMENTS

D79,058 S * 7/1929 Aiello D6/336
D133,019 S * 7/1942 Bass D11/54
D347,307 S * 5/1994 Yang D1/106
D364,685 S * 11/1995 Christensen D24/195
D415,568 S * 10/1999 Bernd D24/195
D437,566 S * 2/2001 Bernal D11/54
D447,641 S * 9/2001 Hanagan D6/358

D452,780 S * 1/2002 Hanagan D6/358
D477,924 S * 8/2003 Say D6/358
D505,797 S * 6/2005 Perkins D6/358
D547,564 S * 7/2007 Boutin D6/381

* cited by examiner

Primary Examiner — Mimoso De

(74) *Attorney, Agent, or Firm* — Nwamu, PC; Fidel Nwamu

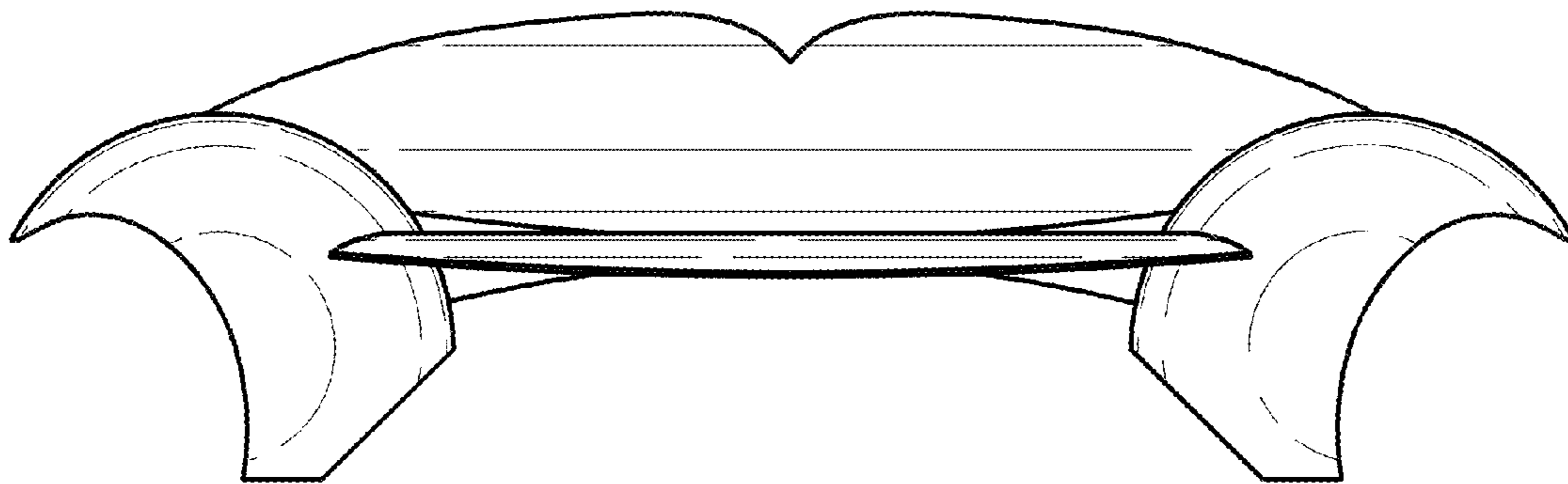
(57) **CLAIM**

The ornamental design for a propane tank lips bench, as shown and described.

DESCRIPTION

FIG. 1 is a perspective view of the propane tank lips bench showing my new design;
FIG. 2 is a back perspective view of the propane tank lips bench showing my new design;
FIG. 3 is a front elevational view of the propane tank lips bench showing my new design;
FIG. 4 is a side elevational view of the propane tank lips bench showing my new design;
FIG. 5 is a back elevational view of the propane tank lips bench showing my new design; and,
FIG. 6 is top plan view of the propane tank lips bench showing my new design.

1 Claim, 4 Drawing Sheets



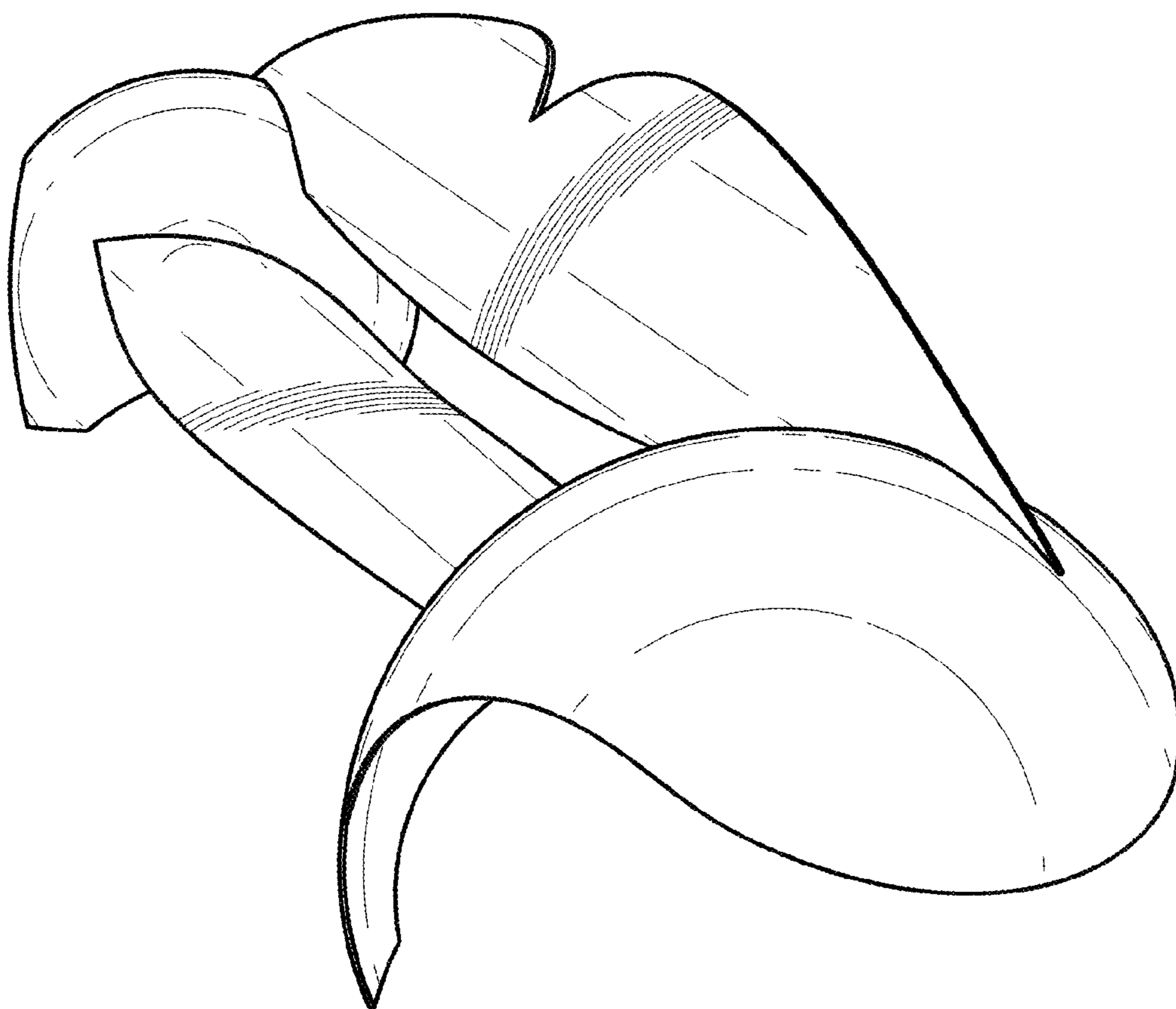


FIG. 1

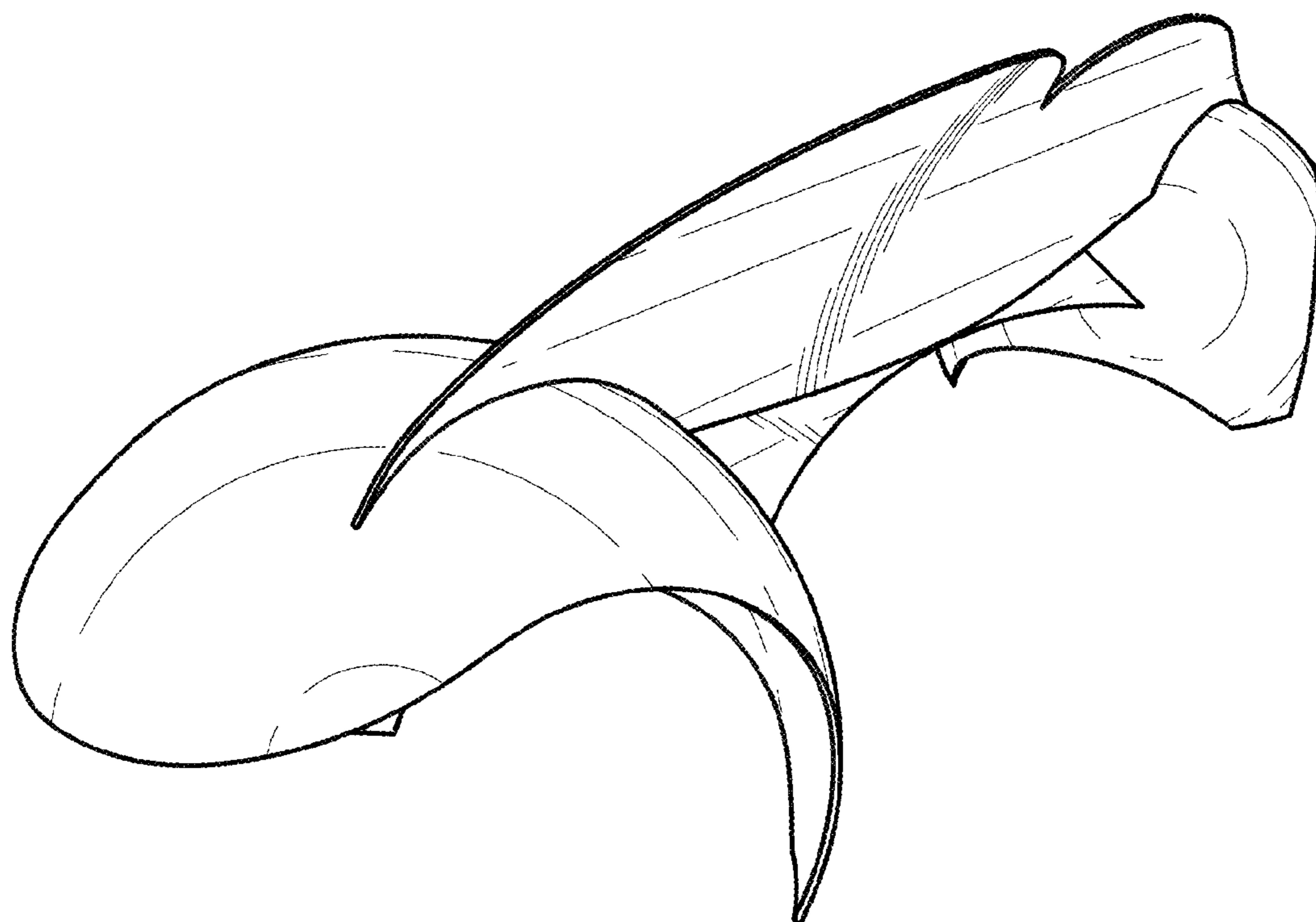


FIG. 2

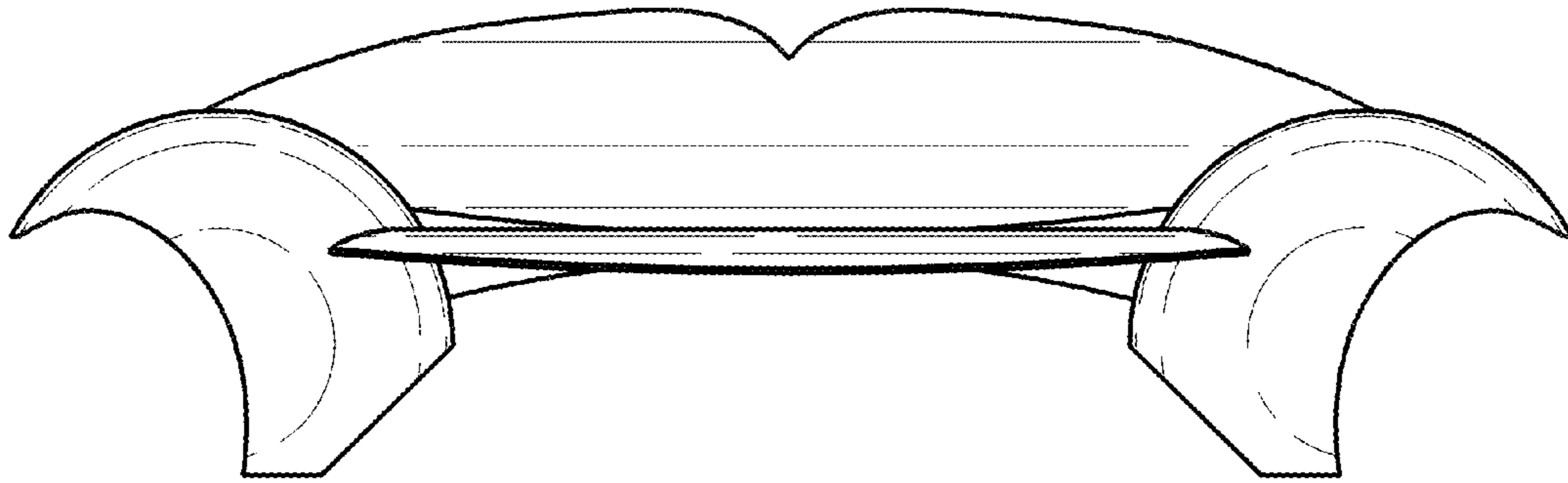


FIG. 3

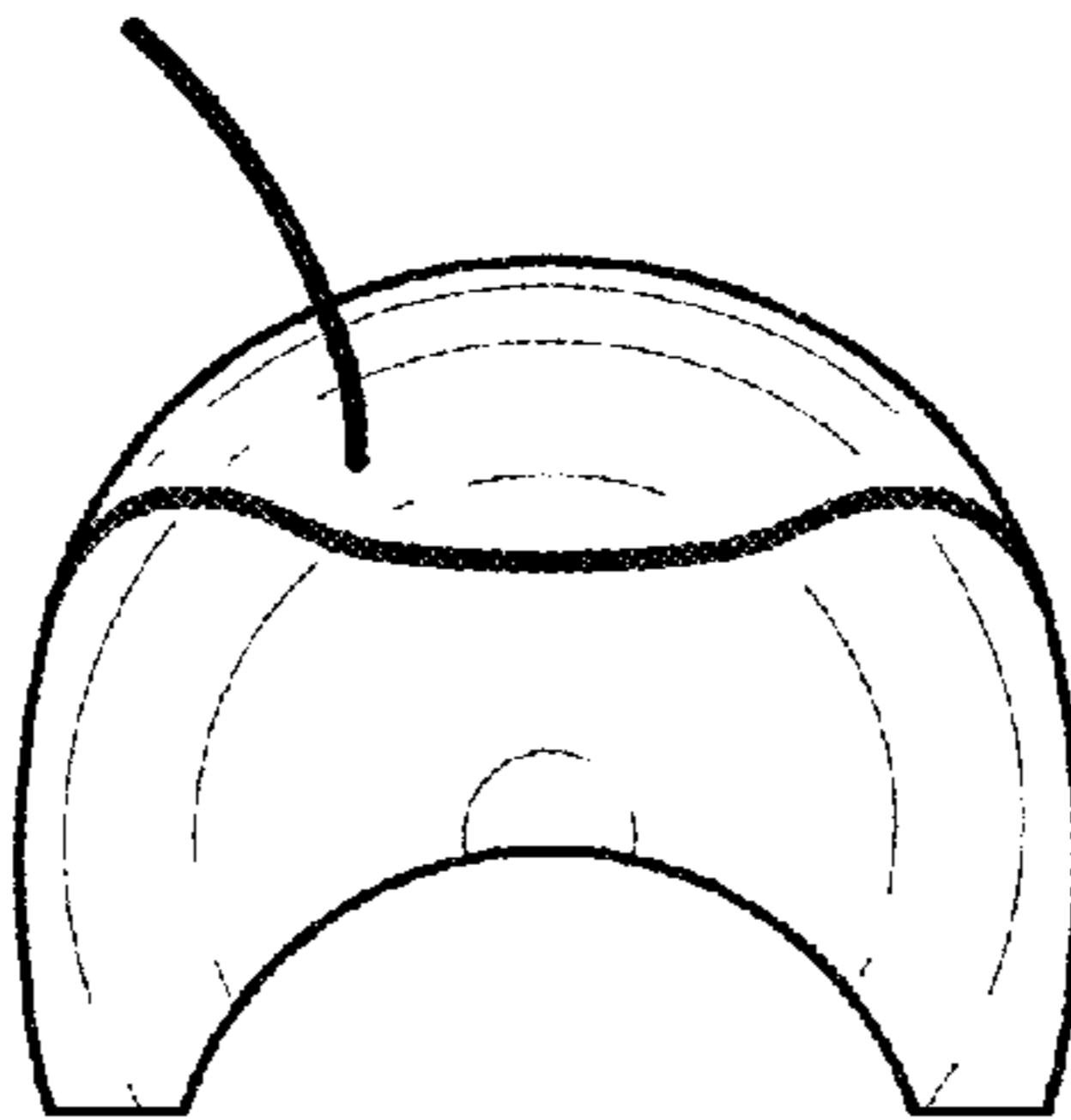


FIG. 4

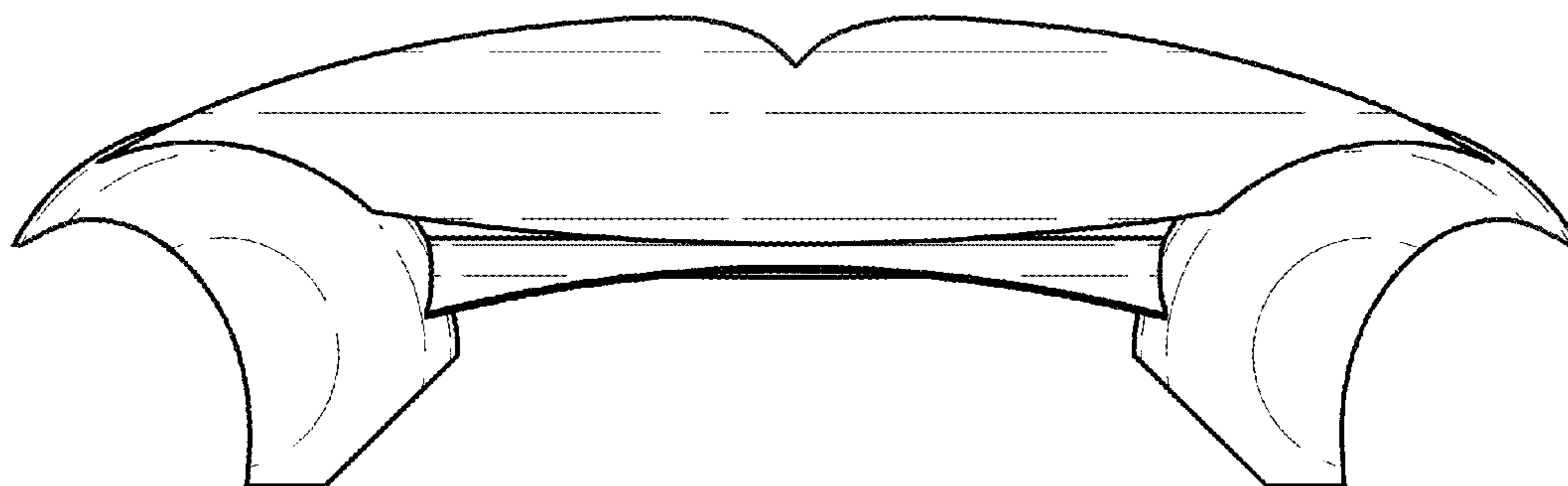


FIG. 5

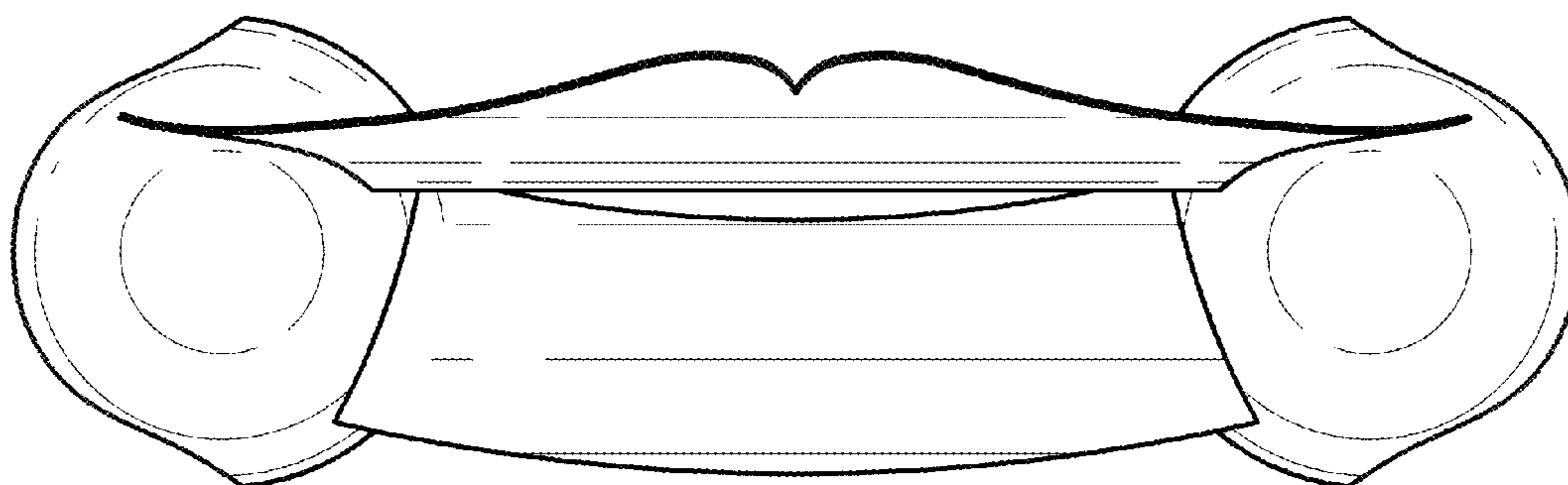


FIG. 6